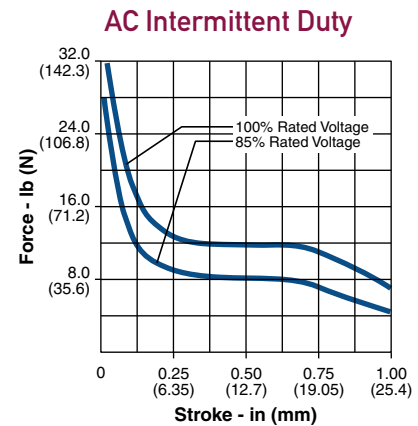
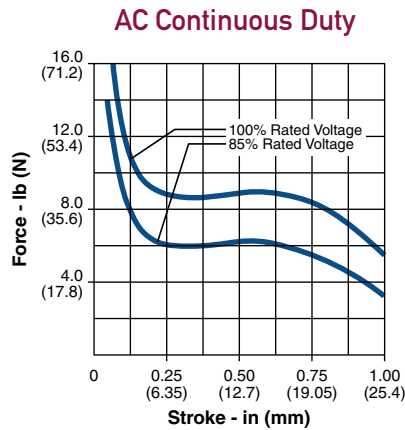


Dormeyer® Laminate Size 2000 (1" stack) — AC Operation

Specifications

Continuous Duty Cycle	At 20°C ambient temperature
Intermittent Duty Cycle	20% on time, 80% off time. On time not to exceed 3 min. at 20°C ambient temperature
Coil Insulation	Class "F": 155°C max. temperature standard
Coil Termination	1/4" QC
Plunger Variations	See page 40
Total Weight	22 oz. (623 g)
Dimensions	See page 40

All catalog products manufactured after April 1, 2006 are RoHS Compliant



Duty Cycle	Continuous		Intermittent	
Model	2536-F-34	2537-F-34	2786-F-34	2787-F-34
Volts — 60Hz (50 Hz avail.)	120	240	120	240
Coil Resistance ± 10% (Ohms at 25°C)	14.8	60	11.7	48
Watts Seated ± 10%	19.0	18.0	36.5	36.0
Amps Seated ± 10%	0.48	0.24	0.95	0.48
Amps at 1/4" ± 10%	2.90	1.50	4.30	2.20
Amps at 1/2" ± 10%	4.40	2.20	6.00	3.00
Amps at 3/4" ± 10%	5.50	2.70	7.50	3.80
Amps at 1" ± 10%	6.50	3.20	8.50	4.30

NOTES:

- All data is typical.
- Pull values indicated are without plunger weight. Add or subtract 0.37 lbs. (0.1 N) to obtain net pull when operated with or against gravity. Force data: ±10%.
- All data reflects operation with no heatsink.
- Other coil terminations available.
- All specifications subject to change without notice.

How to Order

Select the part number from the table provided. (For example, to order a continuous duty cycle unit rated at 120 VAC, specify 2536-F-5.

Please see www.ledex.com (click on Stock Products tab) for our list of stock products available through our distributors.

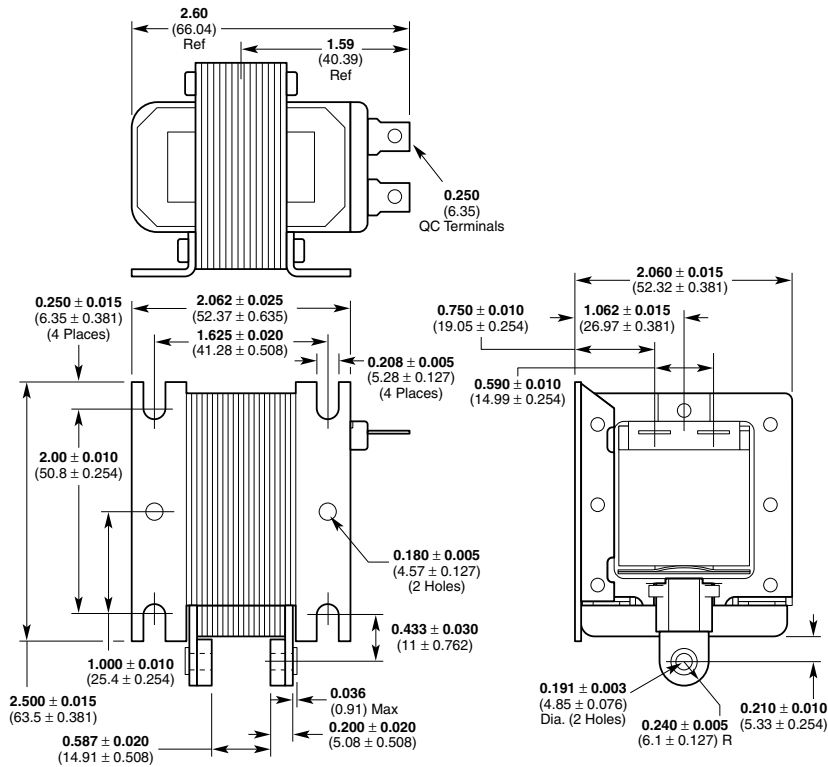
All specifications subject to change without notice.

Dormeyer® Laminate Dimensions

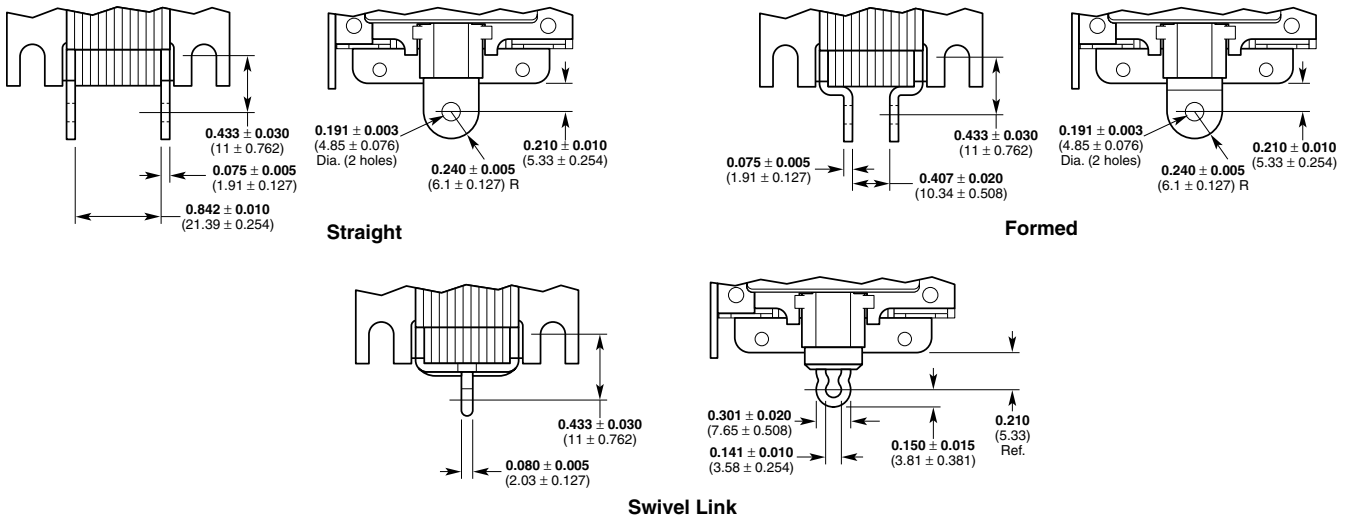
Inches (mm)

All solenoids are illustrated in energized state

Size 2000 (1" Stack)



Size 2000 (1" Stack) Plunger Variations



All specifications subject to change without notice.