

**Moving small parts?
The answer is in your hands**



ALWAYSE
ENGINEERING LIMITED

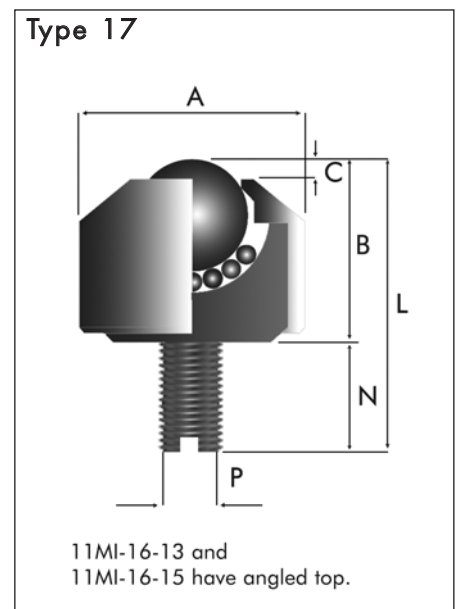
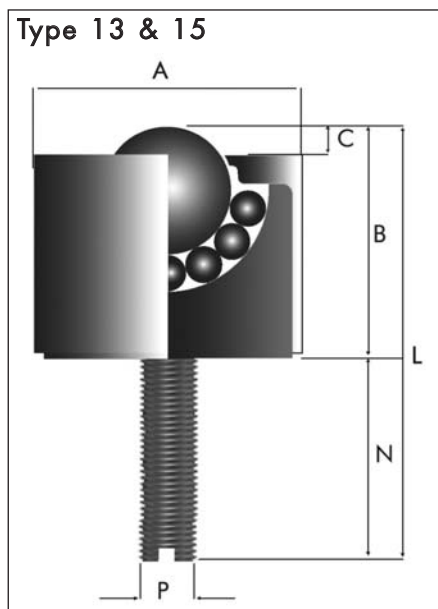
engineered to keep you moving

Mini ball transfer units

REF No	Ball Size (mm)	Weight (Kg)	A	B	C	L	N	P	Dynamic Load Up Rating (Kg)
11MI-05-13	4.8	0.01	13	9	1	24	15	M6	10
11MI-05-15		0.003	8	6		8.5	2.5	M2	5
11MI-05-17									
11MI-06-13	6.4	0.02	17	11	2	26	15	M6	20
11MI-06-15		0.008	13	10.5		16.5	6	M3	10
11MI-08-13	7.9	0.03	18	14	2	32	18	M8	30
11MI-08-15		0.011	15	12.5		20.5	8	M4	15
11MI-08-17									
11MI-10-13	9.6	0.06	23	20	2	40	20	M8	40
11MI-10-15									
11MI-13-13	12.7	0.1	28	25	3.5	48	23	M8	50
11MI-13-15									
11MI-16-13	15.8	0.05	24	20.5	4	32.5	12	M6	70
11MI-16-15									

Applications

- Measuring Equipment
- Lightweight mini turntable
- Guides for small linear motion (eg photo copier slides)
- Transfer of material in clean rooms
- The mini ball transfer units are designed for load up use
- Minature mechanisms
- All thread sizes for dimension "P" are metric coarse



REF No	Balls	Housing
11MI-05-17	Stainless Steel Load Balls	Aluminium Outer Cover
11MI-06-17	Stainless Steel Small Balls	Stainless Steel Screw Thread
11MI-08-17		
11MI-05-13	Carbon Steel Load Ball	Carbon Steel Outer Cover
11MI-06-13	Stainless Steel Small Balls	Stainless Steel Screw Thread
11MI-05-15	Stainless Steel Load Ball	Stainless Steel Outer Cover
11MI-06-15	Stainless Steel Small Balls	Stainless Steel Screw Thread
11MI-08-13		
11MI-10-13	Carbon Steel Load Ball	Carbon Steel Outer Cover
11MI-13-13	Chrome Steel Small Balls	Stainless Steel Screw Thread
11MI-16-13		
11MI-08-15		
11MI-10-15	Stainless Steel Load Ball	Stainless Steel Outer Cover
11MI-13-15	Stainless Steel Small Balls	Stainless Steel Screw Thread
11MI-16-15		



ALWAYSE
ENGINEERING LIMITED



Miller Street, Birmingham B6 4NF, England.
Telephone +44 (0) 121 380 4700. Facsimile +44 (0) 121 380 4701.
Email: sales@alwaysse.co.uk Website: www.alwaysse.net