

Sub-Miniature Sealed Top and Rear

[Key Characteristics

Functional

- 5mm mounting
- 60° viewing angle

Rugged

- IP67 sealed
- -40°C to +85°C operating temp
- -55°C to +100°C storage temp

Adaptable

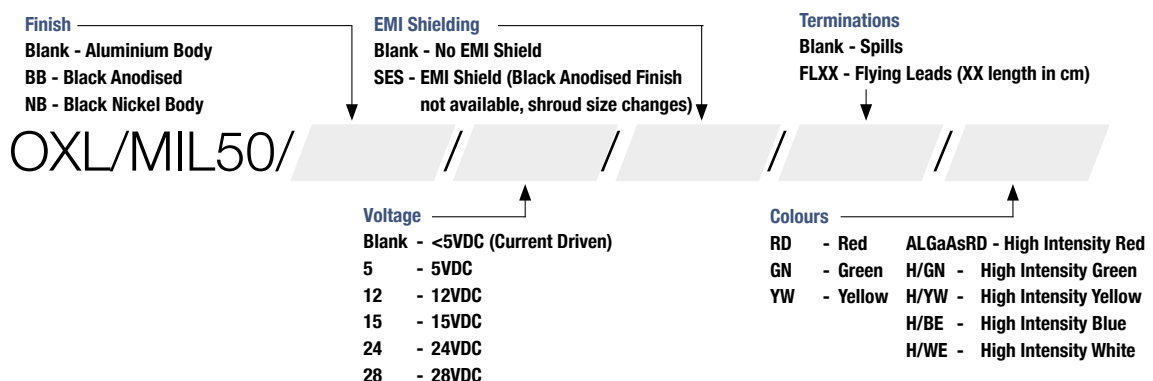
- Full colour range
- Voltage and current options
- Separate body and LED available
- Customer specials available on request



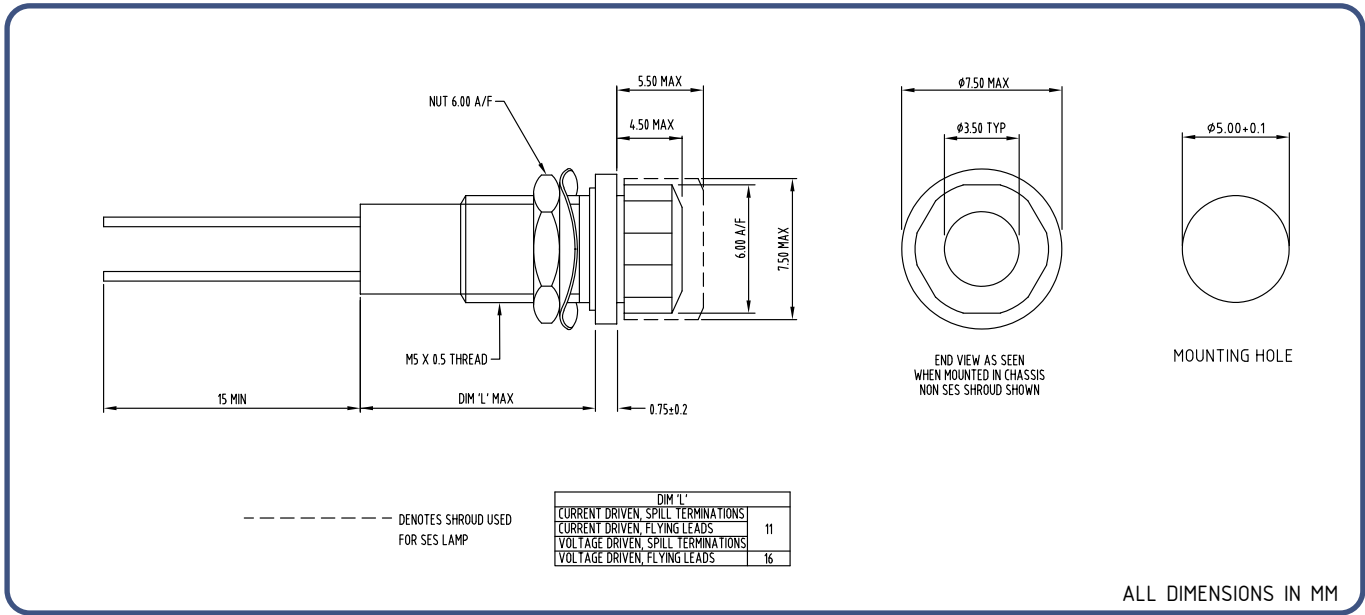
[Specifications

COLOURS									
Luminous Intensity	mcd	White	Red	Yellow	Green	Blue	Voltage		Current (mA)
							Forward	Reverse	
Std	30	X	✓	X	X	X	1.9	5	20
	30	X	X	✓	X	X	2.1	5	20
	30	X	X	X	✓	X	2.2	5	20
	20	X	✓	✓	✓	X	5,12,15,24,28	5	15
High Intensity	1500	X	✓	X	X	X	1.9	5	20
	1500	X	✓	✓	X	X	2.1	5	20
	5000	✓	X	X	✓	X	3.3	5	20
	1500	X	X	X	X	✓	3.3	5	20
	1200	X	✓	✓	X	✓	5,12,15,24,28	5	15
	4000	✓	X	X	✓	X	5,12,15,24,28	5	15

[Ordering Information



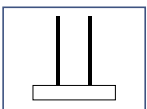
Example: OXL/MIL50/28/H/WE - Aluminium, Black Anodised Shroud, 28VDC, No EMI Shield, Spills, High Intensity White
 Example: OXL/MIL50/SES/FL20/GN - Aluminium, Black Anodised Shroud, Current Driven, EMI Shielding (longer body), Flying Leads 20cm, Green



Technical Information

Terminations	Flying Leads, Spec 44 Wire/Spills, Iron Alloy Silver Plated
Shroud	Aluminium Alloy, Matt Black Anodised
Lens	Glass
Body and Nut	Aluminium Alloy, Optional Black Anodised & Black Nickel Finishes
Washer	BeCu. Tin Plated
Sealing Ring	Nylon
Chassis Thickness	1mm - 4mm
Mounting Hole	5mm ± 0.1mm
Recommended Mounting Torque	0.5Nm
Mean Time Before Failure	90,000 Hours

Termination Options



Spills



Flying Leads

