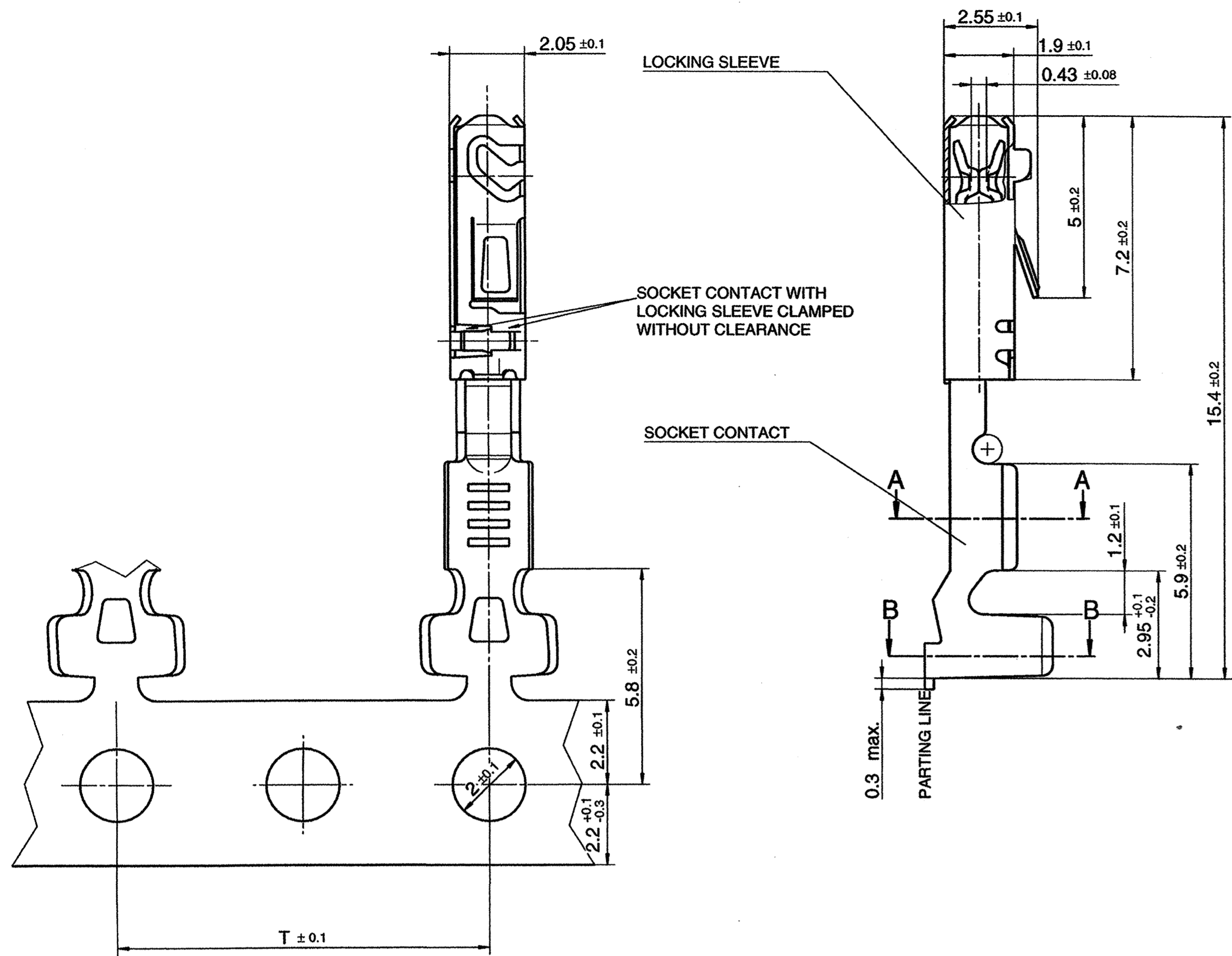
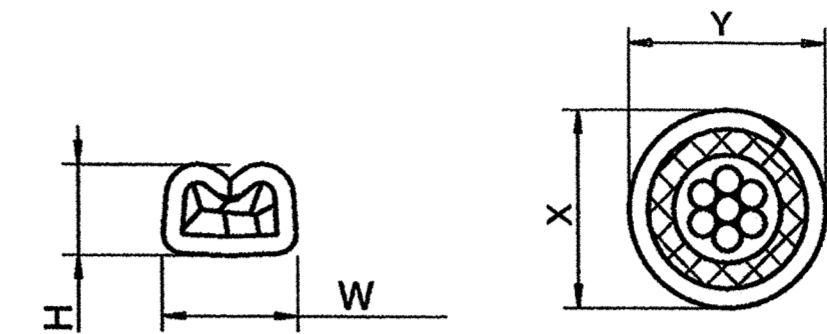


YS6T 14474 RAA

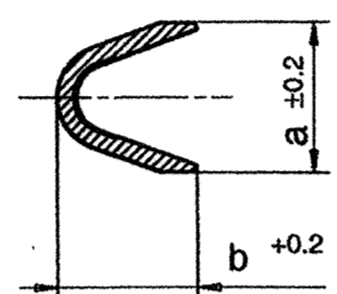
YS6T 14474 RBA



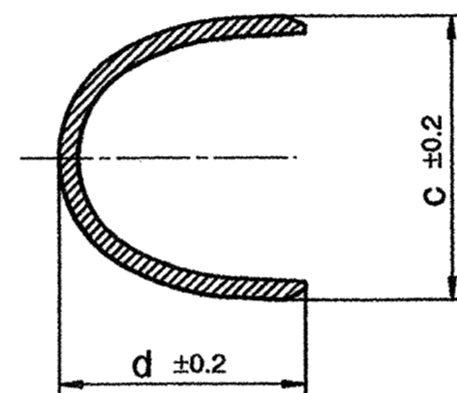
CONDUCTOR SIZE	WIRE CRIMP		INSULATION MOUNT	
	HEIGHT (H) mm ±0.03	WIDTH (W) mm ±0.03	HEIGHT (X) PROPOSED mm	WIDTH (Y) PROPOSED mm
0.35 mm ²	0.92	1.47	2.95	3.05
0.5 mm ²	1.0	1.47	3.0	3.05
0.75 mm ²	1.12	1.68	3.1	3.05



SECTION A-A



SECTION B-B



CRIMPING TOOLS

CONDUCTOR SIZE	SIEMENS-NO.
0.35 - 0.5 mm ²	V23599-E5004-C37
0.75 mm ²	V23599-E5004-C40

FORD PART NR.	SIEMENS PART NR.	a	b	c	d	T
YS6T 14474 RAA	V23540-X5600-Y75	2	1.85	3.75	3.1	10.16
YS6T 14474 RBA	V23540-X5700-Y75	2.4	2.45	3.75	3.1	10.16

- ***) DIP GREASED WITH OPTIMOL, 10% SOLUTION IN ALCOHOL
- *) LENGTH AND ANGLES: DIN 7168-m
- FORM AND POSITION: DIN ISO 2768-mH

LT RS		REVISIONS		
ORIGINATOR	CHECKER	ENGR APP	MAT L APP	
Initial release				
EE00-I-10825617-000 Date: 980318				
V.Houdenhove	Schimansky	Wulf	WJ 980319	

THIS DRAWING HAS BEEN PREPARED BY OR ON BEHALF OF FORD MOTOR COMPANY. FORD RETAINS ALL COMMON LAW, STATUTORY AND OTHER RESERVED RIGHTS, INCLUDING COPYRIGHTS. THIS DRAWING SHALL NOT BE USED FOR ANY PURPOSE OTHER THAN PERFORMING SERVICES DIRECTLY OR INDIRECTLY TO FORD, WITHOUT THE EXPRESSED WRITTEN PERMISSION OF FORD. UNAUTHORIZED USE, COPYING OR MODIFICATION, INCLUDING THE REMOVAL OF THIS NOTE, MAY CONSTITUTE A VIOLATION OF CIVIL OR CRIMINAL LAWS ENFORCEABLE BY FORD OR GOVERNMENTAL AGENCIES.

COPYRIGHT © FORD MOTOR COMPANY
(YEAR AS INITIAL RELEASE)

REFERENCE	Matl. Ctrl. Per: WSS-M99P23-B		
PART MUST COMPLY WITH MATERIAL SPECIFICATION WSS-M99P9999-A1 TO HELP SAFEGUARD HEALTH, SAFETY AND THE ENVIRONMENT.			
DRAFTED IN ACCORDANCE WITH FAO ENGINEERING DRAFTING STANDARD			3RD ANGLE PROJ DIMENSIONS IN MILLIMETERS
CAD TYPE	CAD LOC.	CAD FILE	
OPER. NO.	UNIT	DRAWING	
DESIGN	DETAIL	TITLE	
CHECKED	SAFETY	SHT OF	
YS6T 14474 RAA	SCALE	DATE	DIVISION
YS6T 14474 RBA	10:1		PLANT

SIEMENS		Datum	Bearbeiter	Abteilung
		13.03.98	V. Houdenhove	A PD
		Maßstab 10:1		
		ELO 0.63 SEALED TERMINAL		
		V23540-X5600-Y75*-7627		
01		28.06.99	rjh	
52		18.03.98	rjh	
51		18.03.98	rjh	
Zust	Mitteilung	Datum	Name	Blatt 1- von 1

Weitergabe sowie Vervielfältigung dieser Unterlage, Verwertung und Mitteilung ihres Inhalts nicht gestattet, soweit nicht ausdrücklich zugestanden. Zuwiderhandlungen verpflichten zu Schadenersatz. Alle Rechte vorbehalten, insbesondere für den Fall der Patenterteilung oder GM-Eintragung. The reproduction, transmission or use of this document or its contents is not permitted without express written authority. Offenders will be liable for damages. All rights, including rights created by patent grant or registration of an utility model or design, reserved.

DRW SIZE A1 / D