


Aurora Bearing Company

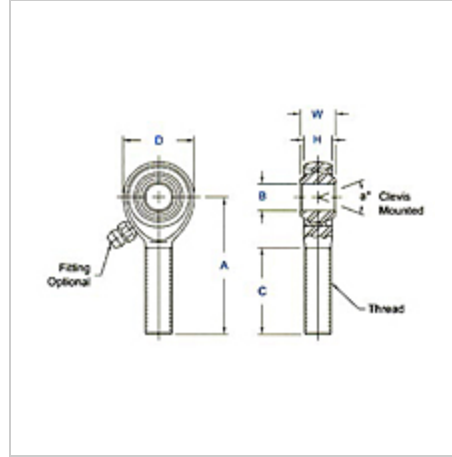
901 Aucutt Rd.

Montgomery, IL 60538

Phone: 630.859.2030 • Fax: 630.859.0971

Email: customersupport@aurorabearing.com • Website: www.aurorabearing.com
Item # AM-12, AM & AB Series Male Rod Ends, High Strength Alloy - Precision (PTFE Liners Available)

- Body - Alloy Steel, heat treated, protective coated for corrosion resistance.
- Ball - Alloy steel, heat treated, hard chrome plated.
- Race - Alloy steel, heat treated, protective coated for corrosion resistance (Low carbon steel with PTFE liners).
- Units in this series will be magnafluxed on special request only. Specify by adding suffix "M". Ex.: AM-8M.
- Units are supplied without grease fittings. When a grease fitting is required, specify by adding suffix "Z" or "F". Ex.: AM-6Z = Zerk Type


[+ more](#)
[Specifications](#) | [AM & AB Note](#)
Specifications

Thread Type	Right Hand
Thread Configuration	Male
B - Ball Bore	.7500 in
W - Ball Width	.875 in
H - Head Width	.687 in
A - Base to Center	2.875 in
D - Head Diameter	1.750 in
Ball Diameter	1.312 in
C - Thread Length	1.750 in
Thread Size	3/4-16
Thread Class	UNF-3A

a - Misalignment Angle Clevis Mounted	14 °
Ultimate Radial Static Load Capacity	28,081 lbs
Approximate Brg. Weight	0.60 lb
Options	Stud
Type of Lubrication	None

AM & AB Note

AM & AB Note

For dimensional tolerances of listed features, see the PDF version of the catalog under the "View Product Catalogs" tab from the home page.