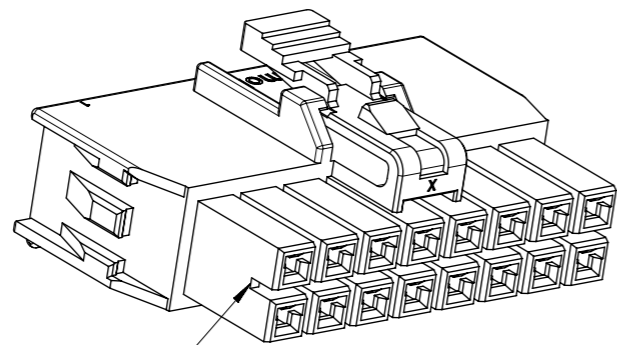


NOTES:

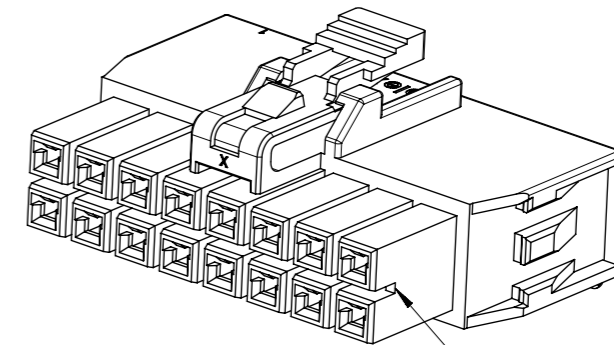
1. MATERIAL:  
 OPTION 1: PA4T, 30% GLASS FILLED, 94V-0, BLACK  
 OPTION 2: PA4T, 30 GLASS FILLED, 94V-0, NATUAL.
2. PRODUCT SPECIFICATION: PS-105300-100.
3. PACKAGE SPECIFICATION: PK-105308-100.
4. THE COMPONENT COMPLIANT TO RoHS DIRECTIVE 2011/65/EU AND ELV DIRECTIVE 2000/53/EC.
5. TO MATE WITH TERMINAL OF 105300-\*\*\*\*.  
 TO MATE WITH TPA OF 105325-\*\*\*\*.  
 TO MATE WITH HEADER OF 105310-\*\*\*\*, 105312-\*\*\*\* AND 105314-\*\*\*\*.
6. PARTS CONFORM TO CLASS 'B' REQUIREMENTS OF COSMETIC SPECIFICATION PS-45499-002.
7. APPLICATION SPECIFICATION: AS-105300-100.

THIS DRAWING CONTAINS INFORMATION THAT IS PROPRIETARY TO MOLEX ELECTRONIC TECHNOLOGIES, LLC AND SHOULD NOT BE USED WITHOUT WRITTEN PERMISSION											
QUALITY SYMBOLS	2016/03/30	2016/04/26	GENERAL TOLERANCES (UNLESS SPECIFIED)		DIMENSION UNITS	SCALE					
			ANGULAR TOL ± 3.0 °		MM	3:1					
▽A = 0	EC NO: 103921	CHK'D: GLLI	4 PLACES	±	DRWN BY	DATE	RECEPTACLE OF NANO-FIT, D/R, TPA POWER CONNECTOR  PRODUCT CUSTOMER DRAWING				
▽E = 0			3 PLACES	±	GLLI	2014/08/13					
▽B = 0			2 PLACES	± 0.2	CHK'D BY	DATE					
▼ = 0			1 PLACE	± 0.3	APPR BY	DATE					
▽C = 0			0 PLACES	±	AYIN	2015/04/08					
⊠ = 0			DRAFT WHERE APPLICABLE MUST REMAIN WITHIN DIMENSIONS		DRAWING SIZE	THIRD ANGLE PROJECTION					
■ = 0	B	REV	A3		105308	SEE SHEET 4	GENERAL MARKET				
▽ = 0					DOCUMENT NUMBER		DOC TYPE	DOC PART	SHEET NUMBER		
						SD-105308-100		PSD	000	1 OF 4	

E

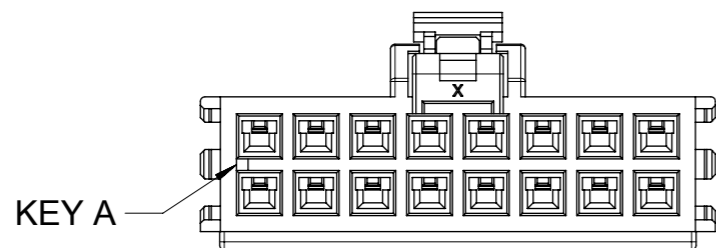


KEY A

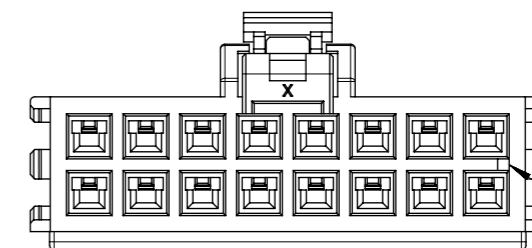


KEY B

D



KEY A



KEY B

BLACK

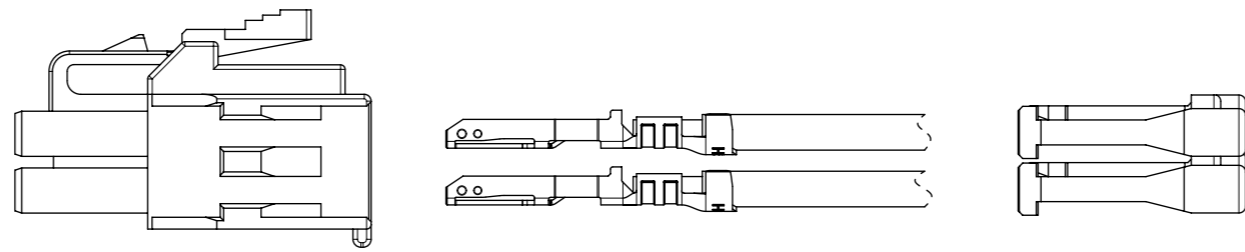
NATURAL

B

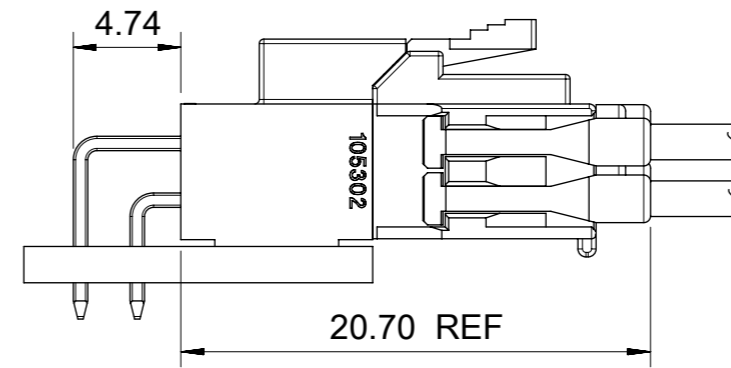
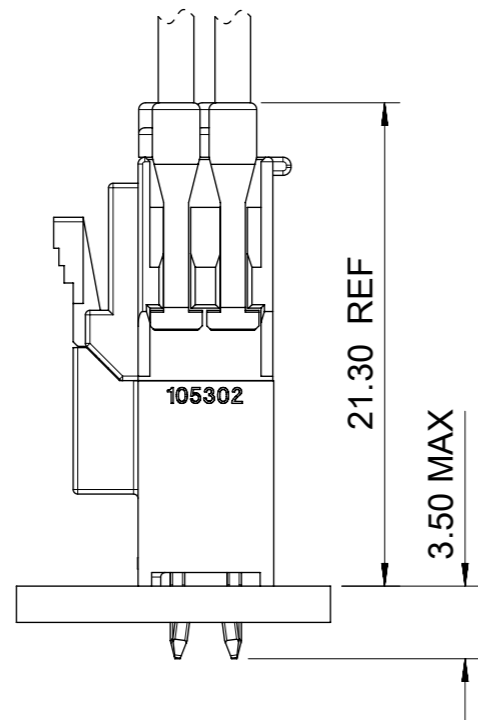
COLOR OPTION

A

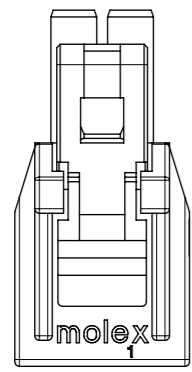
THIS DRAWING CONTAINS INFORMATION THAT IS PROPRIETARY TO MOLEX ELECTRONIC TECHNOLOGIES, LLC AND SHOULD NOT BE USED WITHOUT WRITTEN PERMISSION													
<b>QUALITY SYMBOLS</b> ▽ <sub>A</sub> = 0 ▽ <sub>E</sub> = 0 ▽ <sub>F</sub> = 0 ▼ = 0 ▽ <sub>C</sub> = 0 ⊠ = 0 ■ = 0 ▽ = 0	EC NO: 103921 DRWN: GLLI CHK'D: APPR: AYIN	2016/03/30 2016/04/26	GENERAL TOLERANCES (UNLESS SPECIFIED)		DIMENSION UNITS	SCALE							
			ANGULAR TOL ± 3.0 °		MM	3:1							
			4 PLACES ±	DRWN BY		DATE		RECEPTACLE OF NANO-FIT, D/R, TPA POWER CONNECTOR					
			3 PLACES ±	GLLI		2014/08/13							
			2 PLACES ± 0.2	CHK'D BY		DATE		PRODUCT CUSTOMER DRAWING					
			1 PLACE ± 0.3	APPR BY		DATE							
			0 PLACES ±	DRAFT WHERE APPLICABLE MUST REMAIN WITHIN DIMENSIONS		DRAWING SIZE	THIRD ANGLE PROJECTION	SERIES	MATERIAL NUMBER	CUSTOMER			
						A3		105308	SEE SHEET 4	GENERAL MARKET			
								DOCUMENT NUMBER		DOC TYPE	DOC PART	SHEET NUMBER	
								SD-105308-100		PSD	000	2 OF 4	



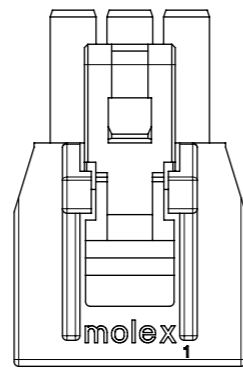
←  
TERMINAL AND TPA ORIENTATION



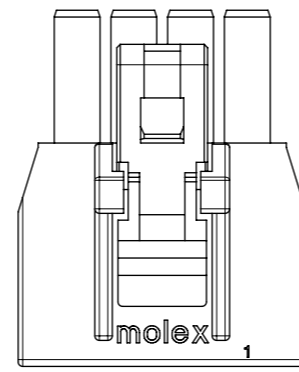
<b>QUALITY SYMBOLS</b> ▽ <sub>A</sub> = 0 ▽ <sub>E</sub> = 0 ▽ <sub>F</sub> = 0 ▼ = 0 ▽ <sub>C</sub> = 0 ⊗ = 0 ■ = 0 ▽ = 0	THIS DRAWING CONTAINS INFORMATION THAT IS PROPRIETARY TO MOLEX ELECTRONIC TECHNOLOGIES, LLC AND SHOULD NOT BE USED WITHOUT WRITTEN PERMISSION									
	2016/03/30	2016/04/26	GENERAL TOLERANCES (UNLESS SPECIFIED)		DIMENSION UNITS	SCALE				
			ANGULAR TOL ± 3.0 °		MM	3:1				
	EC NO: 103921 DRWN: GLLI CHK'D: APPR: AYIN	B REV	4 PLACES	±	DRWN BY	DATE	RECEPTACLE OF NANO-FIT, D/R, TPA POWER CONNECTOR			
			3 PLACES	±	GLLI	2014/08/13				
			2 PLACES	± 0.2	CHK'D BY	DATE	PRODUCT CUSTOMER DRAWING			
			1 PLACE	± 0.3	APPR BY	DATE				
			0 PLACES	±	AYIN	2015/04/08	SERIES	MATERIAL NUMBER	CUSTOMER	
	DRAFT WHERE APPLICABLE MUST REMAIN WITHIN DIMENSIONS		DRAWING SIZE	THIRD ANGLE PROJECTION	A3	105308	SEE SHEET 4	GENERAL MARKET		
					DOCUMENT NUMBER		DOC TYPE	DOC PART	SHEET NUMBER	
				SD-105308-100		PSD	000	3 OF 4		



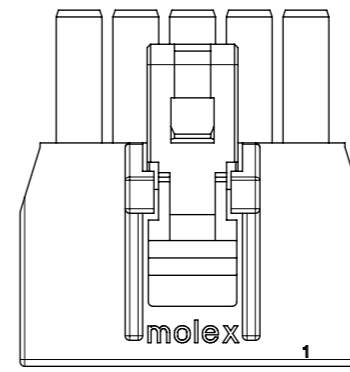
4 CKT



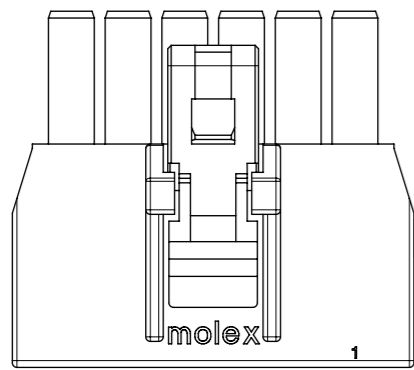
6 CKT



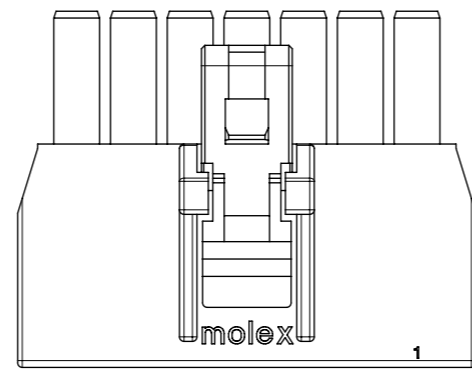
8 CKT



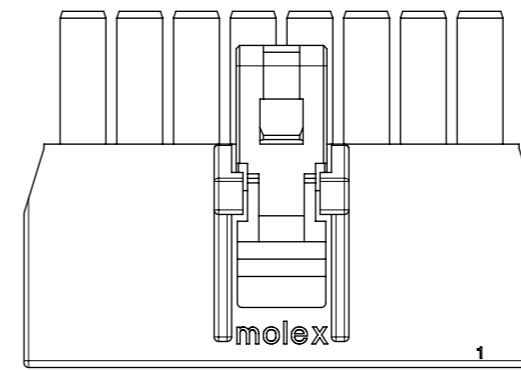
10 CKT



12 CKT



14 CKT



16 CKT

WITH TPA FEATURE			
PART No	DIM 'A'	CKT SIZE	COLOR
105308-1204	7.70	4	BLACK (KEY A)
105308-1206	10.20	6	
105308-1208	12.70	8	
105308-1210	15.20	10	
105308-1212	17.70	12	
105308-1214	20.20	14	
105308-2204	7.70	4	NATURAL (KEY B)
105308-2206	10.20	6	
105308-2208	12.70	8	
105308-2210	15.20	10	
105308-2212	17.70	12	
105308-2214	20.20	14	
105308-2216	22.70	16	

105308- \* \* \* \*

CIRCUIT SIZE

TPA OPTION: 1 - STANDARD  
2 - WITH TPA

COLOR OPTION: 1 - BLACK  
2 - NATURAL

THIS DRAWING CONTAINS INFORMATION THAT IS PROPRIETARY TO MOLEX ELECTRONIC TECHNOLOGIES, LLC AND SHOULD NOT BE USED WITHOUT WRITTEN PERMISSION											
QUALITY SYMBOLS	2016/03/30	2016/04/26	GENERAL TOLERANCES (UNLESS SPECIFIED)		DIMENSION UNITS	SCALE					
			ANGULAR TOL ± 3.0 °		MM	3:1					
▽A = 0	EC NO: 103921	DRWN: GLLI	4 PLACES ±	DRAFT WHERE APPLICABLE MUST REMAIN WITHIN DIMENSIONS	DRWN BY	DATE	RECEPTACLE OF NANO-FIT, D/R, TPA POWER CONNECTOR				
▽E = 0			3 PLACES ±		GLLI	2014/08/13					
▽F = 0			2 PLACES ± 0.2		CHK'D BY	DATE	PRODUCT CUSTOMER DRAWING				
▽ = 0			1 PLACE ± 0.3		APP'R BY	DATE					
▽C = 0			0 PLACES ±		AYIN	2015/04/08	SERIES	MATERIAL NUMBER	CUSTOMER		
▽ = 0							105308	SEE CHART	GENERAL MARKET		
▽ = 0											
					DRAWING SIZE	THIRD ANGLE PROJECTION	DOCUMENT NUMBER				
					A3		SD-105308-100		DOC TYPE	DOC PART	SHEET NUMBER
								PSD	000	4 OF 4	