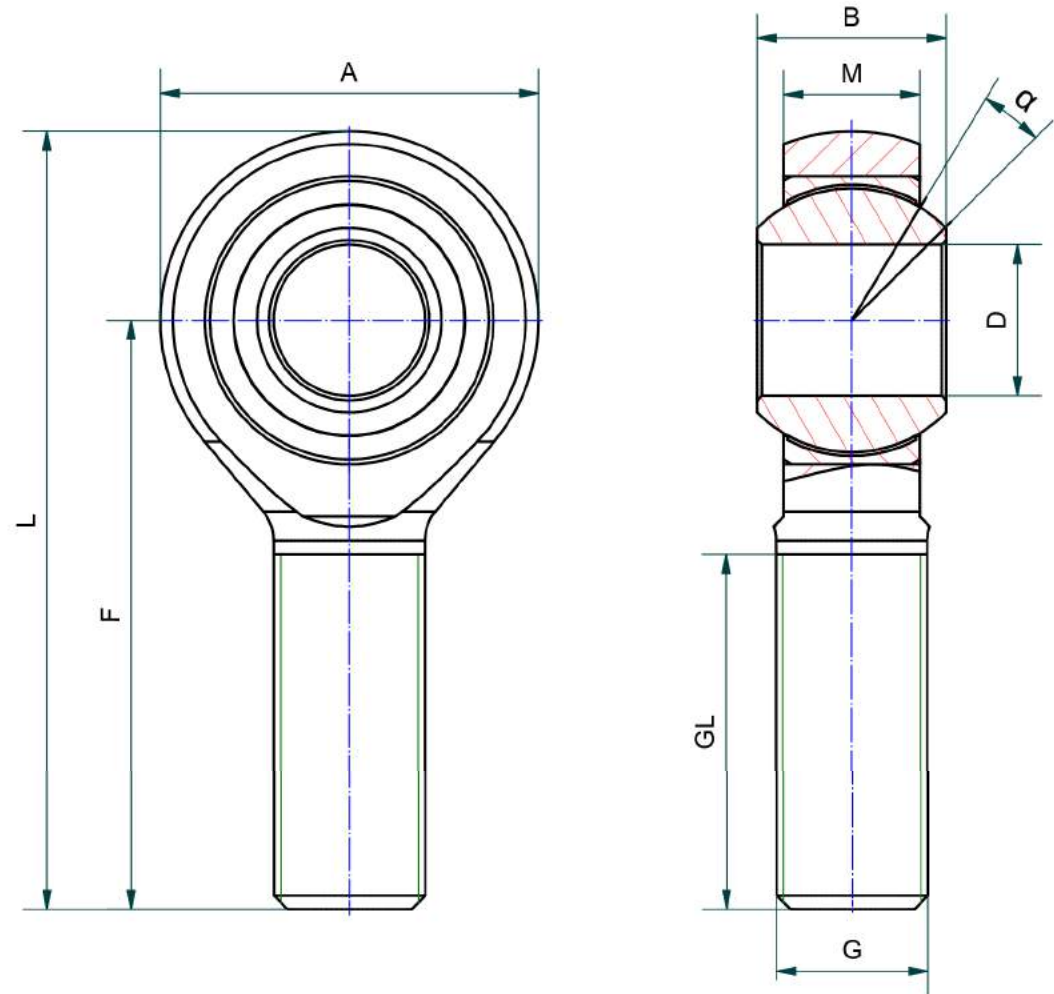


GASW

housing: heat-treating steel to C22, forged, zinc plated
insert: free-cutting steel to 11SMnPb30C, zinc plated
ball: bearing steel to 100Cr6, hardened, ground, polished



part	D (H7)	B	M	A	F	L	G	GL	static load C0 (kN)	dynamic load C (kN)	α
GASW25M24x3	25	31	22	60	94	124	M24x3	57	61	122	15