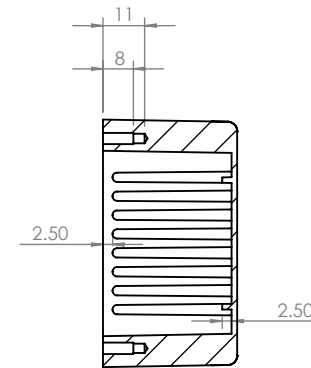
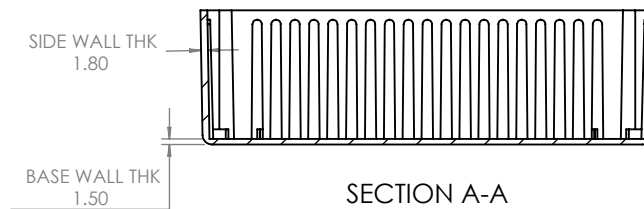


ISO VIEW
1:3



SECTION B-B



SECTION A-A

				UNLESS OTHERWISE SPECIFIED: DIMENSIONS ARE IN MILLIMETERS		DO NOT SCALE DRAWING		REVISION. O	
				FINISH. SMOOTH		TITLE: DRG 5004 BOX			
JAMES CARTER RD. MILDENHALL, SUFFOLK. IP28 7DE TEL: 01638 716101 FAX: 01638 716554 EMAIL: Sales@CamdenBoss.com WEB: www.CamdenBoss.com				MATERIAL. DIE-CAST ALUMINIUM		DWG NO. 5004 Box		A4	
DRAWN S.HARDINGE		SIGNED SJH	DATE 06/12/05	PROJECTION. 		SCALE: 1 : 2		SHEET 1 OF 1	