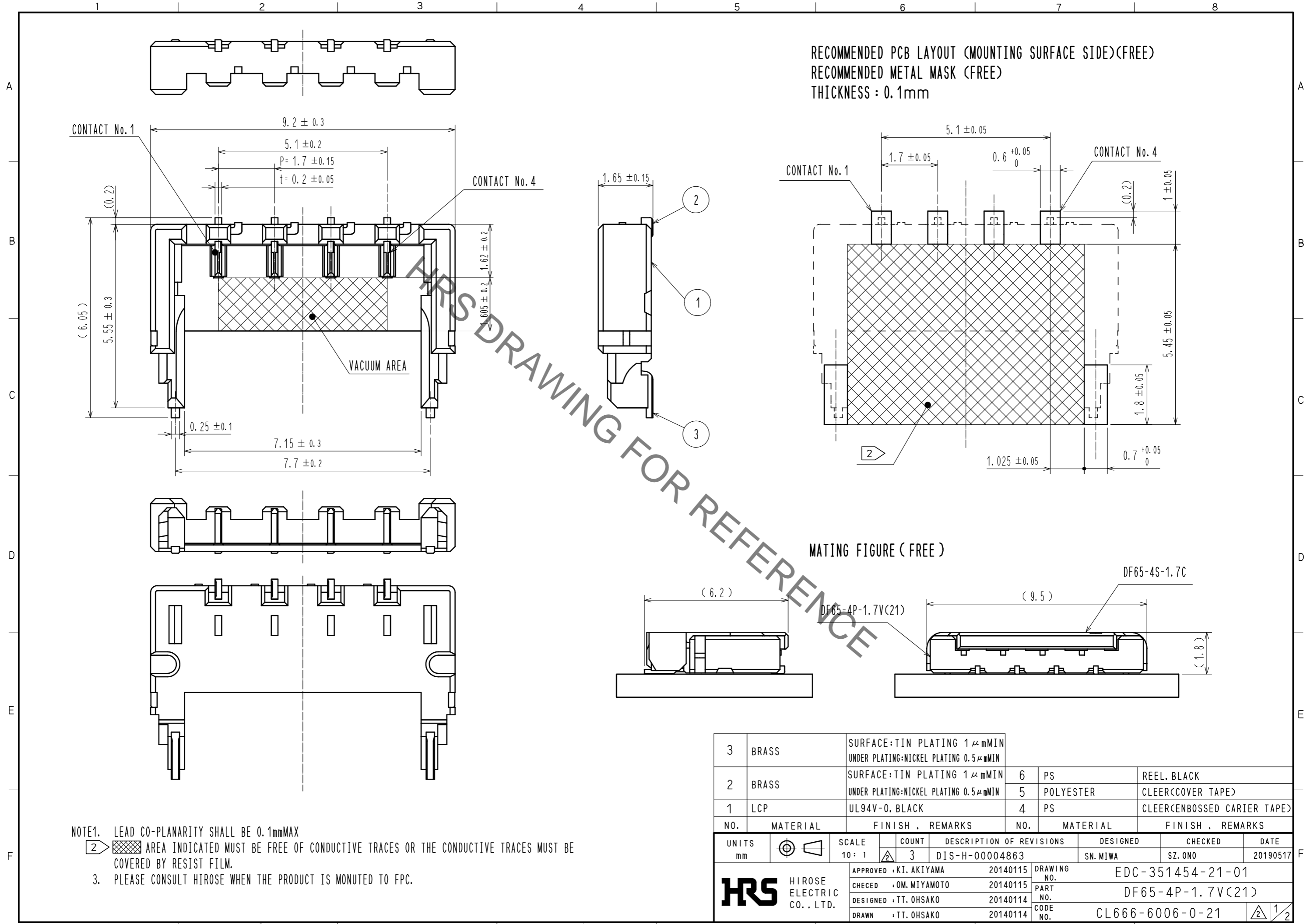


Sep.1.2019 Copyright 2019 HIROSE ELECTRIC CO., LTD. All Rights Reserved.
 In case of consideration for using Automotive equipment / device which demand high reliability, kindly contact our sales window correspondents.



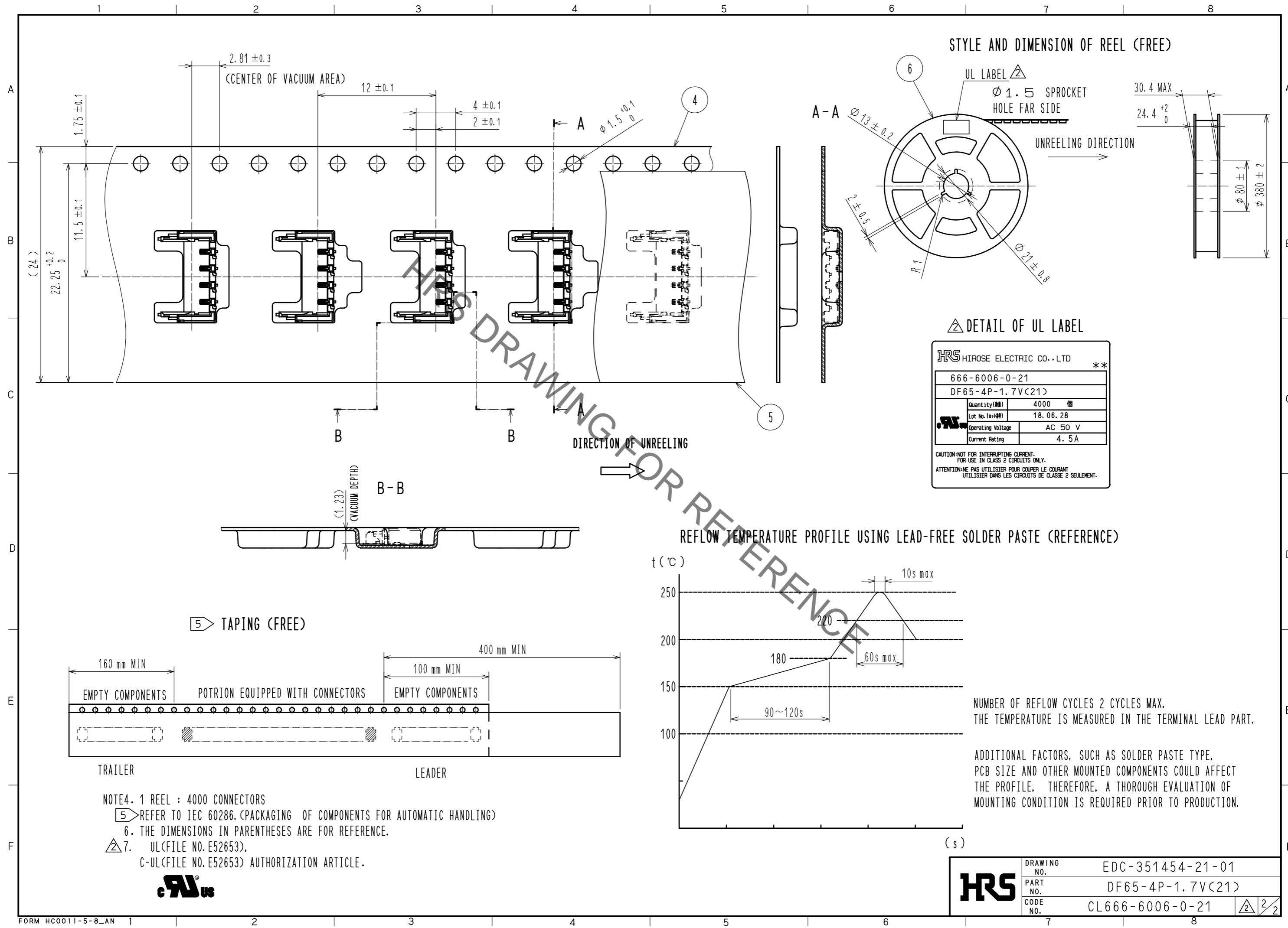
NOTE1. LEAD CO-PLANARITY SHALL BE 0.1mmMAX
 2. AREA INDICATED MUST BE FREE OF CONDUCTIVE TRACES OR THE CONDUCTIVE TRACES MUST BE COVERED BY RESIST FILM.
 3. PLEASE CONSULT HIROSE WHEN THE PRODUCT IS MONUTED TO FPC.

NO.	MATERIAL	FINISH	REMARKS	NO.	MATERIAL	FINISH	REMARKS
3	BRASS	SURFACE:TIN PLATING 1μmMIN UNDER PLATING:NICKEL PLATING 0.5μmMIN		6	PS		REEL. BLACK
2	BRASS	SURFACE:TIN PLATING 1μmMIN UNDER PLATING:NICKEL PLATING 0.5μmMIN		5	POLYESTER		CLEER(COVER TAPE)
1	LCP	UL94V-0. BLACK		4	PS		CLEER(CENBOSSED CARRIER TAPE)

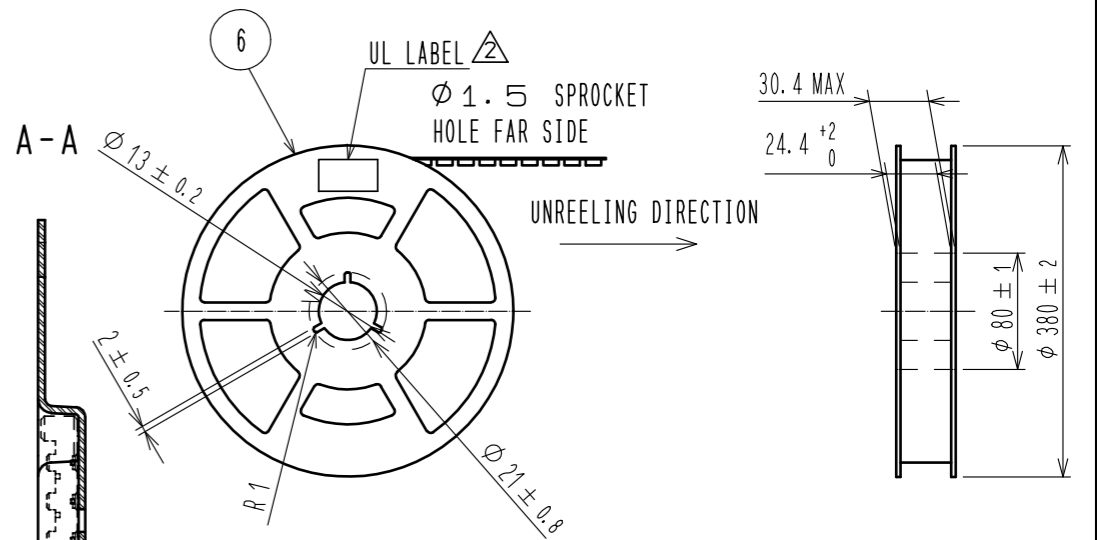
UNITS	SCALE	COUNT	DESCRIPTION OF REVISIONS	DESIGNED	CHECKED	DATE
mm	10:1	3	DIS-H-00004863	SN.MIWA	SZ.ONO	20190517

APPROVED	: KI. AKIYAMA	20140115	DRAWING NO.	EDC-351454-21-01	
CHECED	: OM. MIYAMOTO	20140115	PART NO.	DF65-4P-1.7V(21)	
DESIGNED	: TT. OHSAKO	20140114	CODE NO.	CL666-6006-0-21	
DRAWN	: TT. OHSAKO	20140114			

Sep.1.2019 Copyright 2019 HIROSE ELECTRIC CO., LTD. All Rights Reserved.
 In case of consideration for using Automotive equipment / device which demand high reliability, kindly contact our sales window correspondents.



STYLE AND DIMENSION OF REEL (FREE)

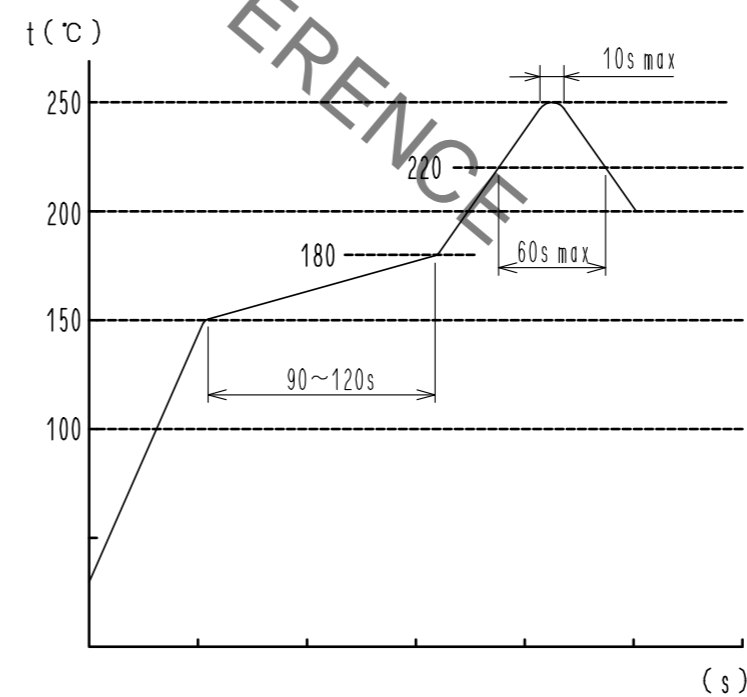


DETAIL OF UL LABEL

HRS HIROSE ELECTRIC CO., LTD	
666-6006-0-21	
DF65-4P-1.7V<21>	
Quantity(個)	4000 個
Lot No.(s+1#)	18.06.28
Operating Voltage	AC 50 V
Current Rating	4.5A

CAUTION-NOT FOR INTERRUPTING CURRENT.
 FOR USE IN CLASS 2 CIRCUITS ONLY.
 ATTENTION-NE PAS UTILISER POUR COUPER LE COURANT
 UTILISER DANS LES CIRCUITS DE CLASSE 2 SEULEMENT.

REFLOW TEMPERATURE PROFILE USING LEAD-FREE SOLDER PASTE (REFERENCE)



NUMBER OF REFLOW CYCLES 2 CYCLES MAX.
 THE TEMPERATURE IS MEASURED IN THE TERMINAL LEAD PART.

ADDITIONAL FACTORS, SUCH AS SOLDER PASTE TYPE,
 PCB SIZE AND OTHER MOUNTED COMPONENTS COULD AFFECT
 THE PROFILE, THEREFORE, A THOROUGH EVALUATION OF
 MOUNTING CONDITION IS REQUIRED PRIOR TO PRODUCTION.

- NOTE4. 1 REEL : 4000 CONNECTORS
- 5 REFER TO IEC 60286. (PACKAGING OF COMPONENTS FOR AUTOMATIC HANDLING)
- 6. THE DIMENSIONS IN PARENTHESES ARE FOR REFERENCE.
- 7. UL(FILE NO. E52653),
 C-UL(FILE NO. E52653) AUTHORIZATION ARTICLE.



HRS	DRAWING NO.	EDC-351454-21-01
	PART NO.	DF65-4P-1.7V<21>
	CODE NO.	CL666-6006-0-21
		2/2