



Brand of NTN corporation

Technical data

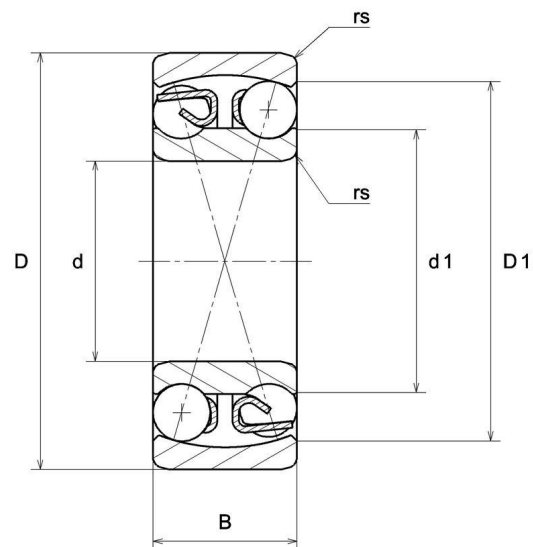
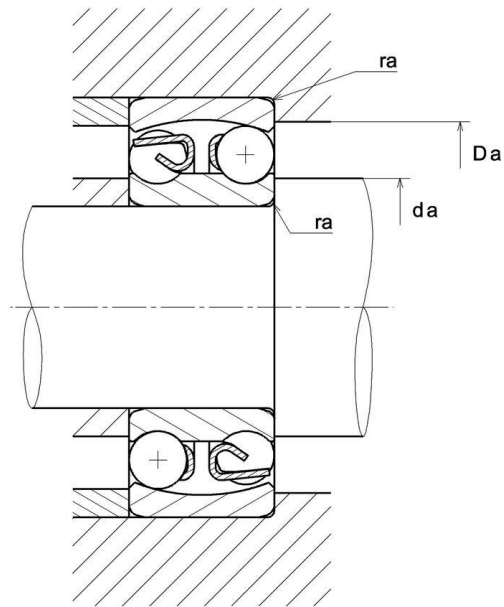
1204.C3

Double-row self-aligning ball bearings



Self-aligning ball bearing, pressed steel cage, open

VISUAL (S)



NTN Europe

1 rue des Usines · BP 2017 · 74010 Annecy Cedex · France · Tel. +33 (0)4 50 65 30 00
S.A. au capital de 322 639 919 € · RCS ANNECY B 325 821 072 · Id. Fiscale : FR 48 325 821 072
SIRET 325 821 072 00015 · Code APE 2815 Z · Code NACE 28.15

1204.C3

Double-row self-aligning ball bearings

PRODUCT DEFINITION

Brand	SNR
d - Internal diameter	20 mm
D - External diameter	47 mm
B - Bearing/Inner ring width	14 mm
d1 - External diameter inner ring	29,2 mm
D1 - Inner diameter outer ring	37,3 mm
rs - Min fillet radius	1 mm
Radial clearance class	C3
Precision class	P0
Mass	0,117 kg

PRODUCT PERFORMANCE

C - Dynamic load	9700000 mN
C0 - Static load	2600000 mN
Cu - Fatigue limit load	120000 mN
e - Coefficient	0.27
Y0 - Static axial load coefficient	2.41
Y1 - Lower axial load coefficient	2.31
Y2 - Upper axial load coefficient	3.57
N ref - Reference thermal speed	90000 °/s
N lim - Mechanical Limit Speed	126000 °/s
Tmin - Min operating temperature	233,15 °K
Tmax - Max operating temperature	393,15 °K



NTN Europe

1 rue des Usines · BP 2017 · 74010 Annecy Cedex · France · Tel. +33 (0)4 50 65 30 00
S.A. au capital de 322 639 919 € · RCS ANNECY B 325 821 072 · Id. Fiscale : FR 48 325 821 072
SIRET 325 821 072 00015 · Code APE 2815 Z · Code NACE 28.15

1204.C3

Double-row self-aligning ball bearings

BEARING FREQUENCIES	
BPFO - Over rolling frequency on outer ring (60 rpm)	4.863 Hz
BPFI - Over rolling frequency on inner (60 rpm)	7.137 Hz
BSF - Over rolling frequency on rolling element (60 rpm)	5.004 Hz
BRF - Rotational frequency - rolling element (60 rpm)	2.502 Hz
FTF - Rotational frequency - cage (60 rpm)	0.405 Hz

ABUTMENT	
da min - Min shoulder diameter IR	25 mm
Da max - Max shoulder diameter OR	42 mm
ra max - Max shaft & housing fillet radius	1 mm



NTN Europe

1 rue des Usines · BP 2017 · 74010 Annecy Cedex · France · Tel. +33 (0)4 50 65 30 00
S.A. au capital de 322 639 919 € · RCS ANNECY B 325 821 072 · Id. Fiscale : FR 48 325 821 072
SIRET 325 821 072 00015 · Code APE 2815 Z · Code NACE 28.15