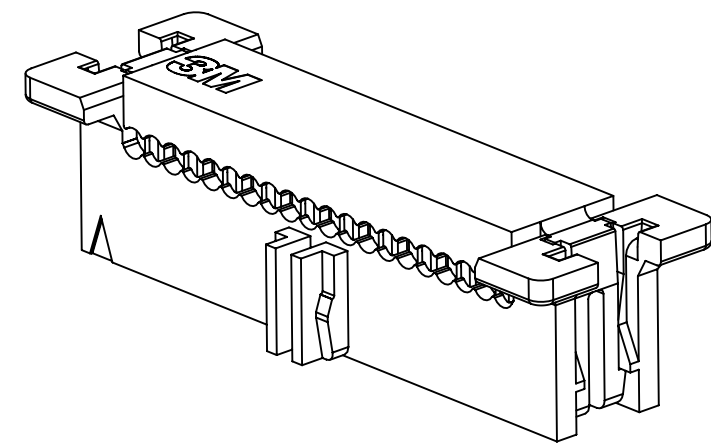
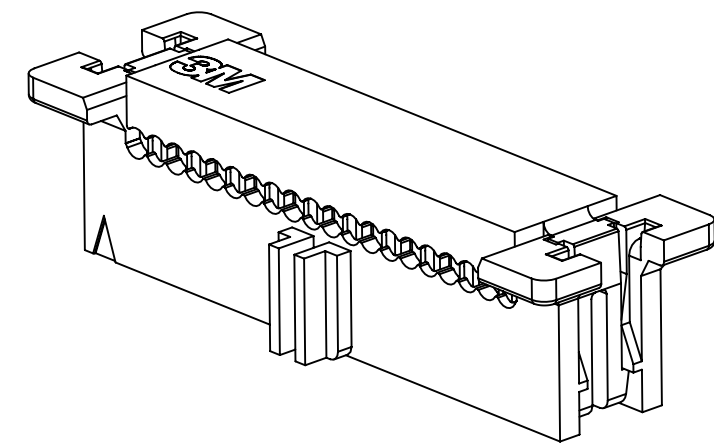


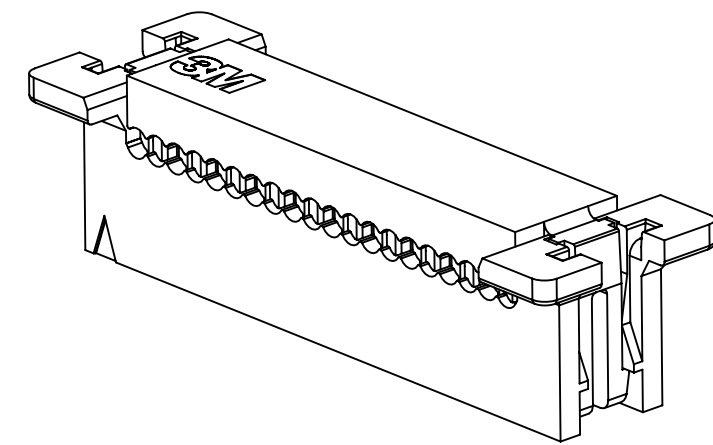
3M™ RIBBON CABLE WIREMOUNT SOCKET ASSEMBLY,  
1.27mm (0.050") PITCH, 451 SERIES



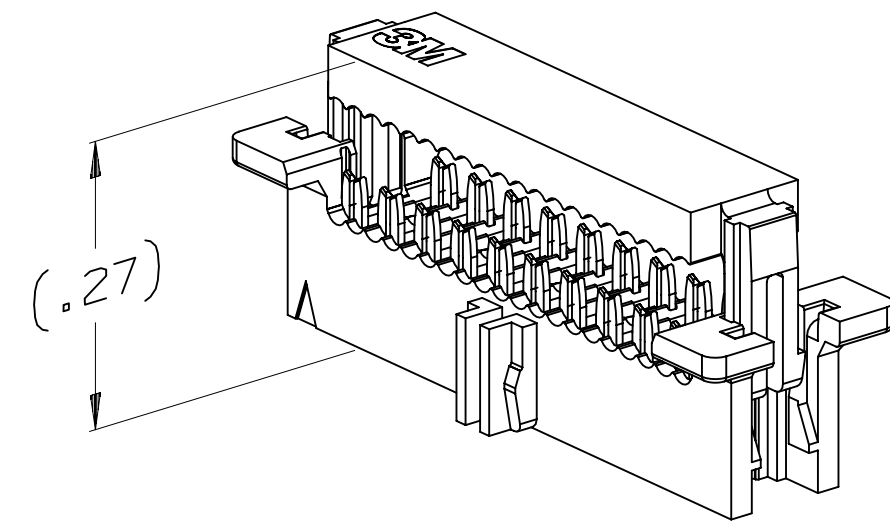
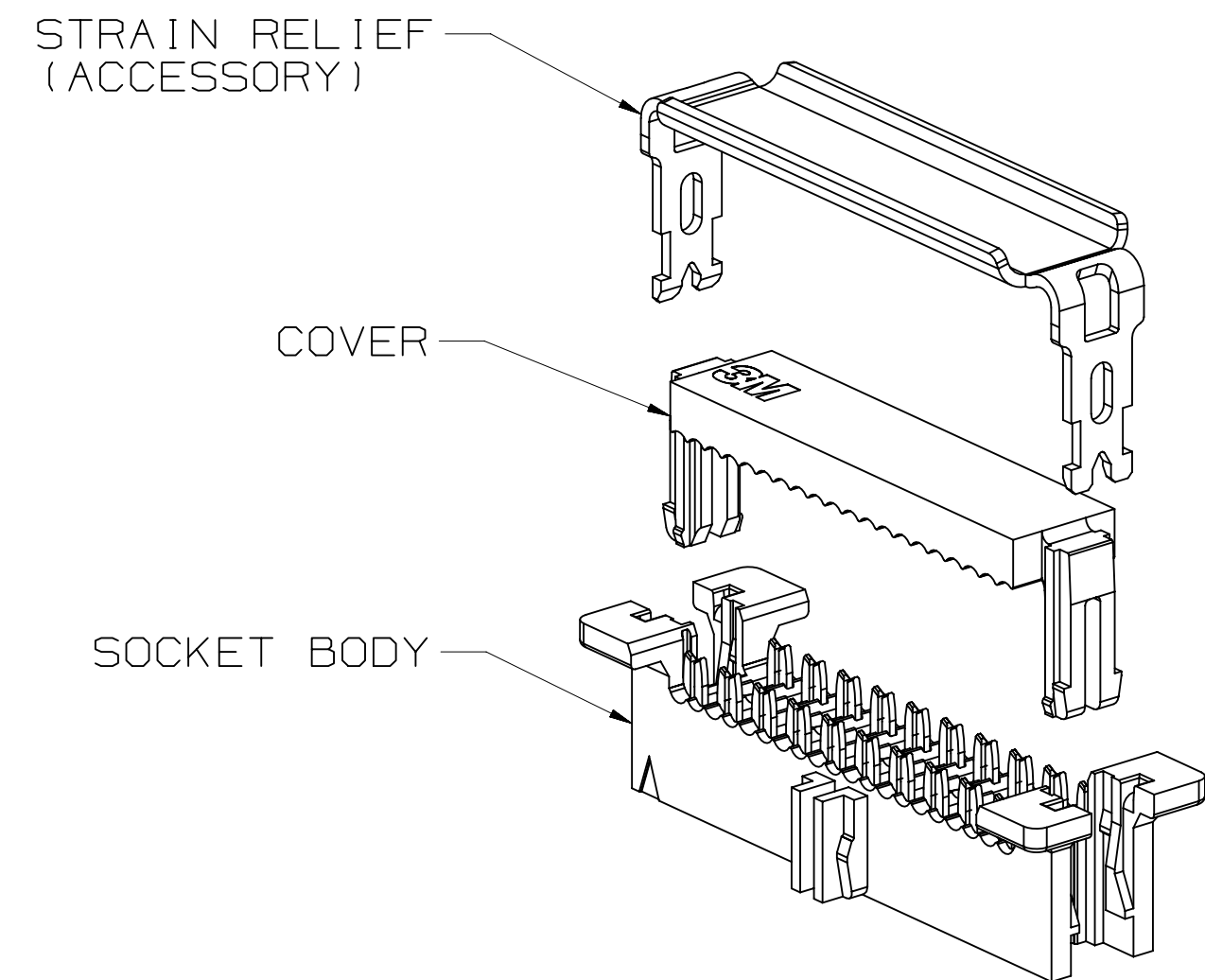
CENTER POLARIZATION  
AND FRICTION LATCH



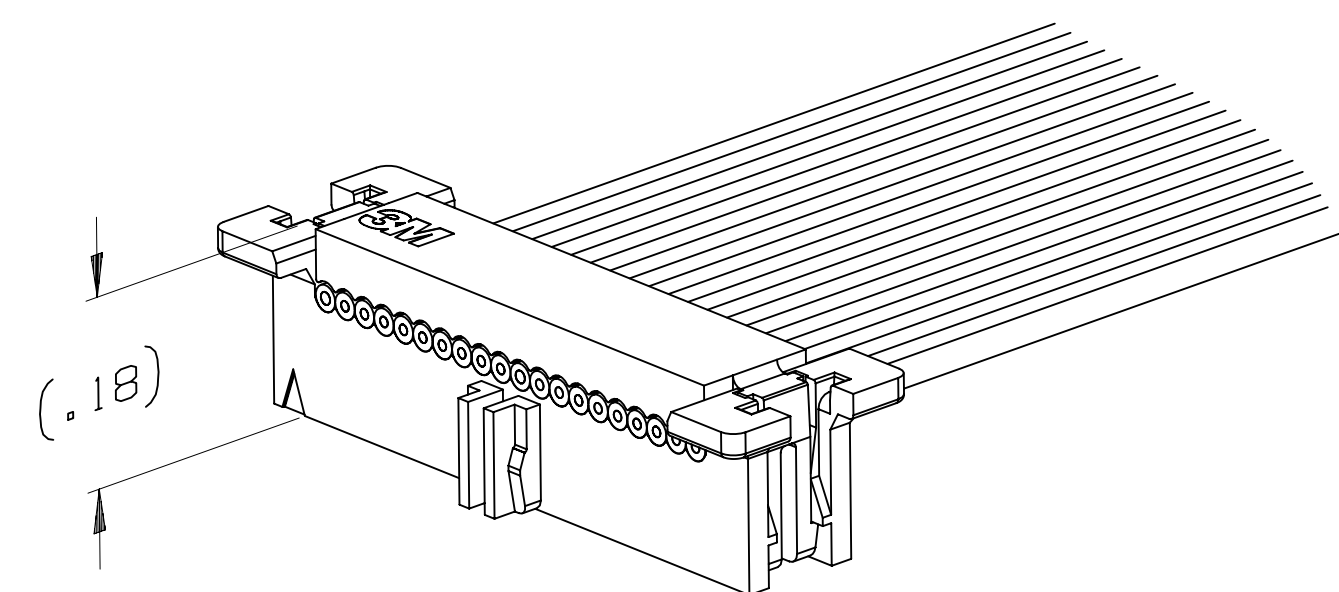
CENTER POLARIZATION  
AND NO FRICTION LATCH



NO CENTER POLARIZATION  
AND NO FRICTION LATCH

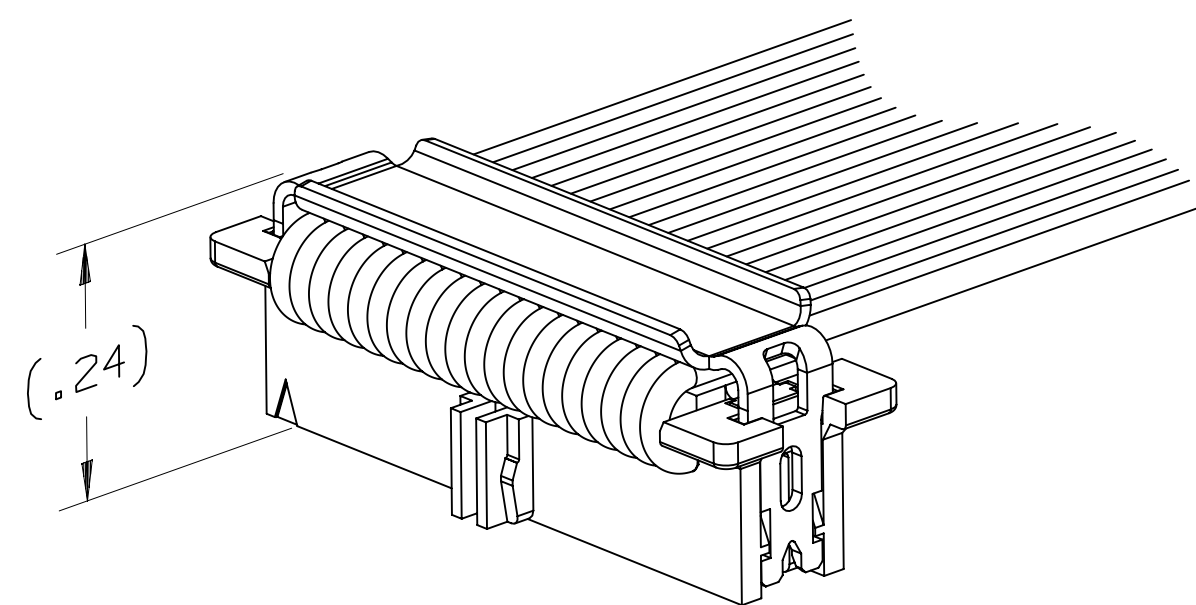


PRE-POSITIONED COVER



NO STRAIN RELIEF

TERMINATED  
CONNECTOR



WITH OPTIONAL  
STRAIN RELIEF

Performance:	
Current Rating:	1.0 A, all lines energized, 30C temp rise per EIA 364-70
	1.5 A, 6 lines energized, 30C temp rise per EIA 364-70
	2.5 A, 1 line energized, 30C temp rise per EIA 364-70
Voltage Rating:	125V
Insulation Resistance:	> 1 x 10 <sup>9</sup> Ohms at 500 VDC
Withstanding Voltage:	1250VACrms at sea level
Operating Temperature:	-65°C to +105°C

- NOTES
- MATERIAL:  
BODY: PBT, UL94V-0  
COVER: PBT, UL94V-0  
STRAIN RELIEF: STAINLESS STEEL  
CONTACTS: BeCu ALLOY.
  - PLATING:  
50-150μ" NICKEL UNDERPLATE  
30 = 30μ" MIN. GOLD ON WIPING AREA  
00 = FLASH GOLD ON WIPING AREA.
  - RIBBON CABLE COMPATIBILITY:  
GENERAL:  
0.025" PITCH PVC, 30 AWG,  
SOLID OR 7 STRAND.  
RECOMMENDED:  
3M 3447 AND 3754 SERIES  
CABLE.
  - MATING COMPATIBILITY:  
3M 1.27mm (0.050"),  
SERIES 452 HEADER WITH  
LATCH/EJECT OPTION.  
TECH SHEET 2437
  - REGULATORY INFORMATION:  
ROHS COMPLIANT. SEE THE  
REGULATORY INFORMATION  
APPENDIX (RIA) IN THE  
"ROHS COMPLIANCE" SECTION  
OF WWW.3MCONNECTORS.COM  
FOR COMPLIANCE INFORMATION  
(RIA E1 & C1 APPLY)
  - IN THE EVENT OF CONFLICT  
BETWEEN THIS DATA AND THAT  
CONTAINED IN THE PRODUCT  
SPECIFICATION, THE PRODUCT  
SPECIFICATION TAKES PRECEDENT.
  - REFERENCE RELATED DOCUMENTS:  
PRODUCT SPECIFICATION:  
3M DOC. ID# 78-5102-0091-4.
  - TOOLING AND INSTALLATION  
INSTRUCTIONS:  
3M DOC. ID# 78-9101-8937-8.
  - OTHER PIN COUNTS AVAILABLE  
UPON REQUEST. CONTACT 3M.
  - PACKAGING:  
SOCKET: TRAY  
COVER: BAG

ORDERING INFORMATION  
FOR RAPID INSTALLATION ON  
RIBBON CABLE APPLICATIONS

451 XX - 0 X 0 0 XX

SERIES

POSITION COUNT  
04 - 30  
SEE TABLE 1

PLATING  
00 = Au FLASH  
30 = 30μ" GOLD

OPTIONAL FEATURES  
0 = NONE SPECIFIED

PACKAGING  
0 = STANDARD (TRAYS)

CENTER POLARIZATION / FRICTION LATCH  
0 = NO CENTER POLARIZATION (CP) (04-30 POS.)  
1 = CP NO FRICTION LATCH (08 - 30 POS.)  
2 = CP WITH FRICTION LATCH (08 - 30 POS.)

NOTE:  
FRICTION LATCH (OPTION 2) IS NOT SUITABLE  
FOR HEADER WITH LATCH EJECT OPTION

ACCESSORY: STRAIN RELIEF  
3448-451XX

POSITION COUNT  
04 - 30

APPLICATION TOOLING:  
ALUMINUM: 3443-82-XX

POSITION COUNT  
04 - 30

REV	ECO	ISSUE DATE AND DESCRIPTION	DRFT	CHKD
E	54514	MAY 07, 2014 ADD UL LOGO	SJS	SAN
D	51884	JAN 08, 2014 ADD DESIGN REF. UPDATE TITLE, ADD TS REF	SJS	SAN
C	50290	OCT 08, 2013 REVISE NOTES 1, 3, 8 & OPERATING TEMP.	JNC	SN
B	48635	JUL 12, 2013 MATCH TEXT FONTS & ADD NOTE 10	JNC	SN
A	46797	MAR 25, 2013 PRODUCTION RELEASE	JNC	SAN

78-5100-2396-9  
78-5100-2437-1

DESIGN REFERENCE NEXT ASSEMBLY

DATE: FEB 11, 2011

APPROVAL: SAN

DIVISION: Interconnect Solutions

SCALE: 6/1

TOLERANCES EXCEPT AS NOTED

INCHES: .01 ± .01, .00 ± .02, .000 ± .010, .0000 ± .005

MILLIMETERS: 0 ± .01, .00 ± .005, .00 ± .005

THIRD ANGLE PROJECTION

INTERPRET PER ASME Y14.5 - 2009

MAX SURFACE ROUGHNESS: 1.6 SURFACES, .400 ±

MARKED ONLY

3M

© 3M COMPANY 2014

This document and the information it contains are 3M property and may not be reproduced or further distributed without 3M permission, or used or disclosed other than for 3M authorized purposes. All rights reserved.

TITLE: RIBBON CABLE SOCKET, .05 X .05 PITCH, 451 SERIES

CAGE NUMBER: D78-5100-2436-3

REV. E

MODEL: SHT 1 OF 2

3M ELECTRONIC SOLUTIONS DIVISION  
INTERCONNECT SOLUTIONS  
<http://www.3mconnectors.com>

3M IS A TRADEMARK OF 3M COMPANY.  
FOR TECHNICAL, SALES OR ORDERING  
INFORMATION CALL 800-225-5373

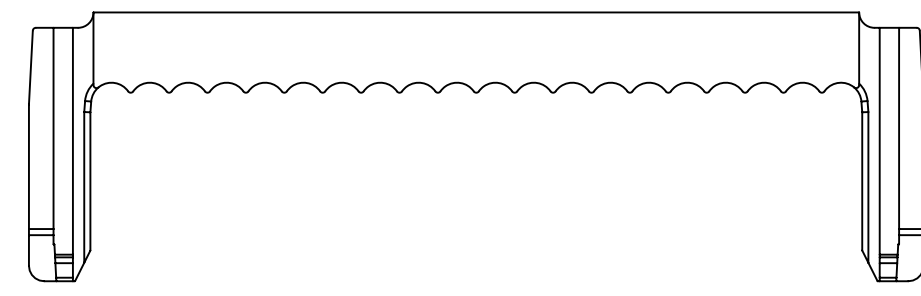
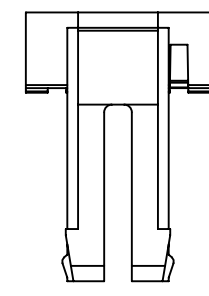
UL FILE NO: E68080

78-5100-2436-3  
DRAWING NUMBER  
REV. E  
7:44 AM UTC-05:00  
1/14/2014

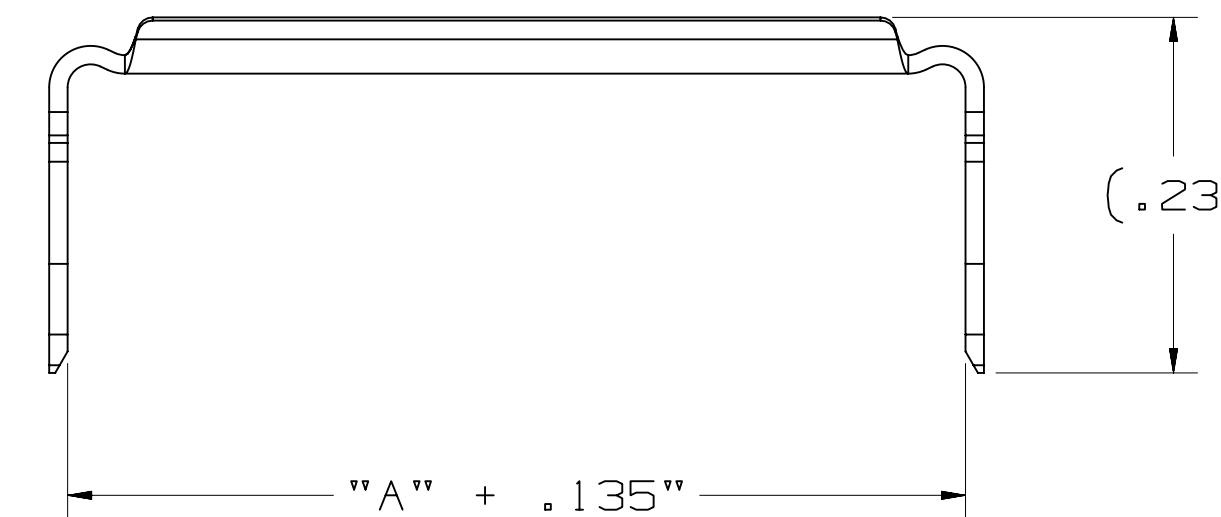
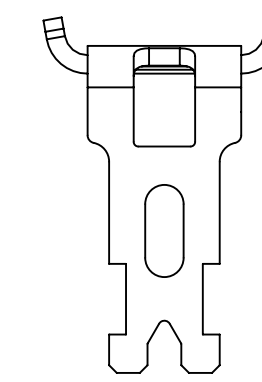
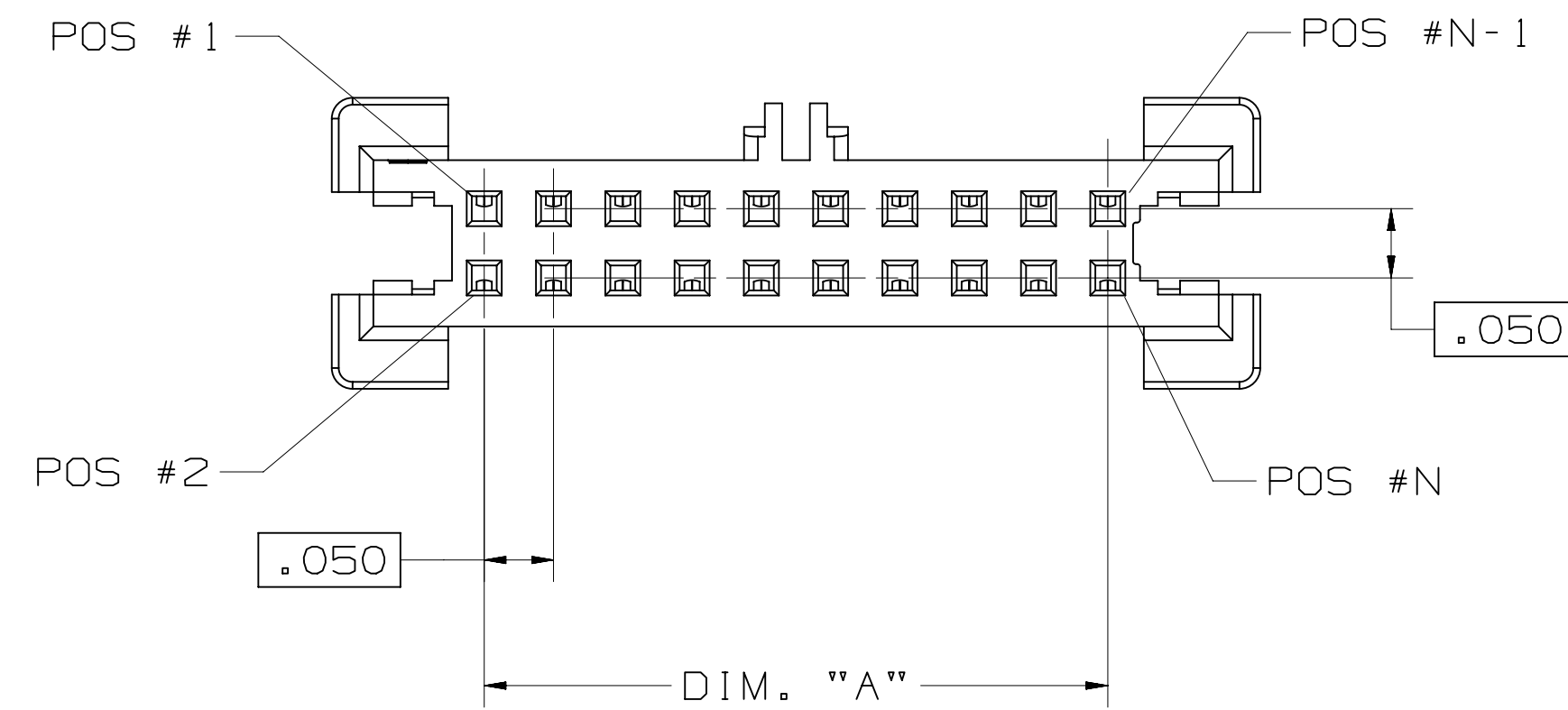
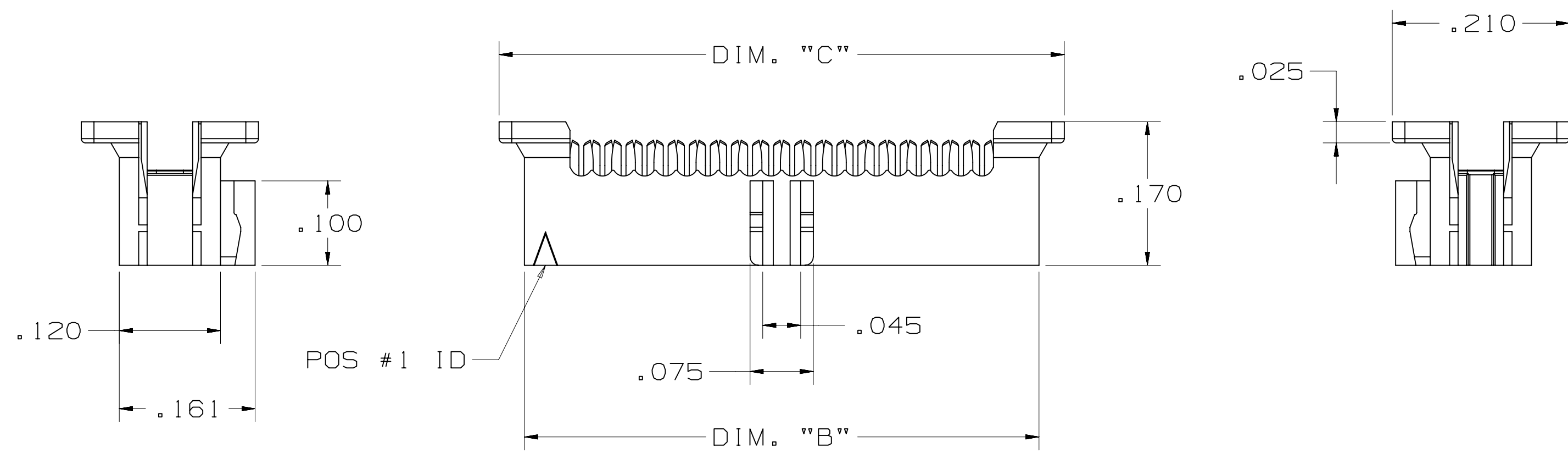
3M™ RIBBON CABLE WIREMOUNT SOCKET ASSEMBLY,  
1.27mm (0.050") PITCH, 451 SERIES

TABLE 1

No. Positions	Dim "A"	Dim "B"	Dim "C"
4	.050	.210	.270
6	.100	.260	.320
8	.150	.310	.370
10	.200	.360	.420
12	.250	.410	.470
14	.300	.460	.520
16	.350	.510	.570
20	.450	.610	.670
30	.700	.860	.920



COVER



ACCESSORY - STRAIN RELIEF  
PART NUMBER 3448-451XX

REV	ECO	ISSUE DATE AND DESCRIPTION	DRFT	CHKD
E	54514	MAY 07, 2014 ADD UL LOGO	SJS	SAN
D	51884	JAN 08, 2014 ADD DESIGN REF. UPDATE TITLE, ADD TS REF	SJS	SAN
C	50290	OCT 08, 2013 REVISE NOTES 1, 3, 8 & OPERATING TEMP.	JNC	SN
B	48635	JUL 12, 2013 MATCH TEXT FONTS & ADD NOTE 10	JNC	SN
A	46797	MAR 25, 2013 PRODUCTION RELEASE	JNC	SAN

78-5100-2396-9  
78-5100-2437-1

DESIGN REFERENCE	NEXT ASSEMBLY

SCALE	TOLERANCES EXCEPT AS NOTED
DO NOT SCALE DRAWING	INCHES +.01 -.00 .000 ± .010 .0000 ± .005
THIRD ANGLE PROJECTION	MILLIMETERS 0 ± .0 ± .00 ± ± .000 ±
INTERPRET PER ASME Y14.5 - 2009	MAX SURFACE ROUGHNESS R <sub>A</sub> SURFACES MARKED ONLY

TITLE
RIBBON CABLE SOCKET, .05 X .05 PITCH, 451 SERIES
CAGE NUMBER <b>D</b> 78-5100-2436-3
REV. NUMBER E

78-5100-2436-3  
DRAWING NUMBER  
E  
REV. 1  
7:44 AM UTC-05:00  
A