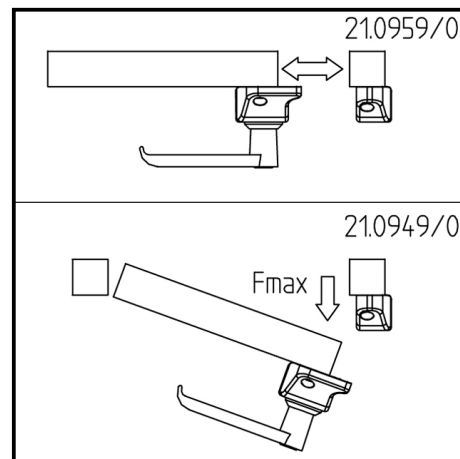
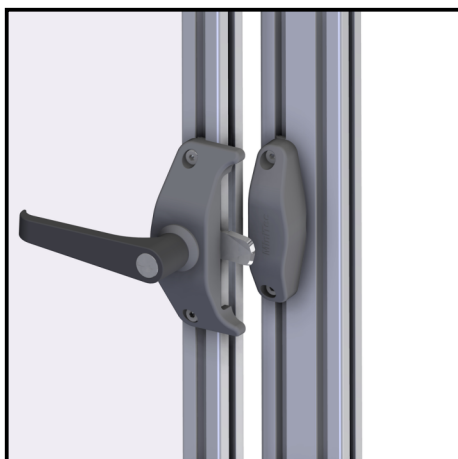
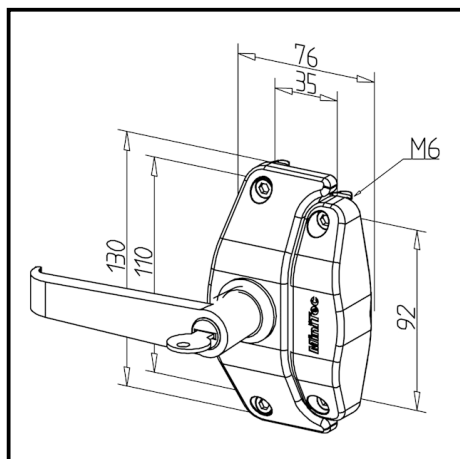


ROTARY LOCK 30

Article Nr. 21.0949/0

See the product on the website →

Download CAD Files →



TECHN. DATA / ITEMS SUPPLIED

- Aluminium, Pressure die-casting, powder-coated, grey
- With fastening material steel, zinc plated
- Mounted handle: see **part no. 21.2305/0**
- Fmax. 1000 N
- Weight = 0.432 kg/piece

APPLICATIONS

- Rotary Lock 30 for swing doors: **part no. 21.0949/0**
- Sliding door lock 30 for sliding doors: **part no. 21.0959/0**
- For profiles series 30
- Locking of doors and panels
- No profile finishing required
- Position moveable

ASSEMBLY

- Fasten to profile groove with supplied hardware
- Fastening on profile groove - without processing/boring of profiles