



Brand of NTN Group

## Technical data

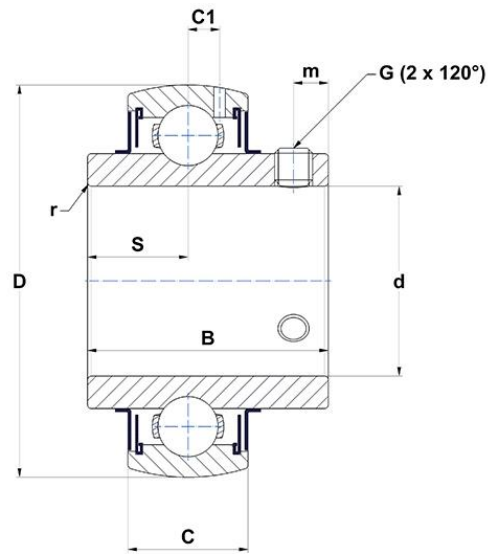
### UC204G2T20

Insert bearings



Spherical outer diameter, fixing by socket set screw, labyrinth seal, for high-temp. applications

#### VISUAL (S)



#### PRODUCT DEFINITION

|   |        |
|---|--------|
| <b>Brand</b>  | SNR    |
| <b>B - Width of Inner Ring</b>                                  | 31 mm  |
| <b>C - Width of Outer Ring</b>                                  | 16 mm  |
| <b>C1 - Distance center of OR to center of lubrication zone</b> | 4,4 mm |
| <b>d - Shaft diameter</b>                                       | 20 mm  |
| <b>D - Outer diameter of OR</b>                                 | 47 mm  |
| <b>G - Set screw size</b>                                       | M6x1   |
| <b>m - Distance to set screw</b>                                | 4,7 mm |



**NTN Europe**

1 rue des Usines · BP 2017 · 74010 Annecy Cedex · France · Tel. +33 (0)4 50 65 30 00  
 S.A. au capital de 322 639 919 € · RCS ANNECY B 325 821 072 · Id. Fiscale : FR 48 325 821 072  
 SIRET 325 821 072 00015 · Code APE 2815 Z · Code NACE 28.15

### PRODUCT DEFINITION

|   |         |
|---|---------|
| <b>r - Radius Inner Ring</b>                  | 0.6     |
| <b>S - Distance front side/bearing centre</b> | 12,7 mm |
| <b>f0 - Factor</b>                            | 13.2    |
| <b>SW - Wrench size</b>                       | 3 mm    |

### PRODUCT PERFORMANCE

|                                   |             |
|-----------------------------------|-------------|
| <b>C - Dynamic load rating</b>    | 12800000 mN |
| <b>C0 - Static load rating</b>    | 6650000 mN  |
| <b>Operating temperature min.</b> | 253,15 °K   |
| <b>Operating temperature max.</b> | 473,15 °K   |

### OTHER FEATURES

|  |         |
|--|---------|
| <b>Mass</b>  | 0,17 kg |
| <b>Recommended tightening torque for set screw</b> | 5.5 N-m |

### BEARING FREQUENCIES

|   |                      |
|---|----------------------|
| <b>BPFO - Over rolling frequency on outer ring (60 rpm)</b>     | 3.06342182890855 Hz  |
| <b>BPMF - Over rolling frequency on inner (60 rpm)</b>          | 4.93657817109145 Hz  |
| <b>BSF - Over rolling frequency on rolling element (60 rpm)</b> | 4.03672159895942 Hz  |
| <b>BRF - Rotational frequency - rolling element (60 rpm)</b>    | 2.01836079947971 Hz  |
| <b>FTF - Rotational frequency - cage (60 rpm)</b>               | 0.382927728613569 Hz |

