


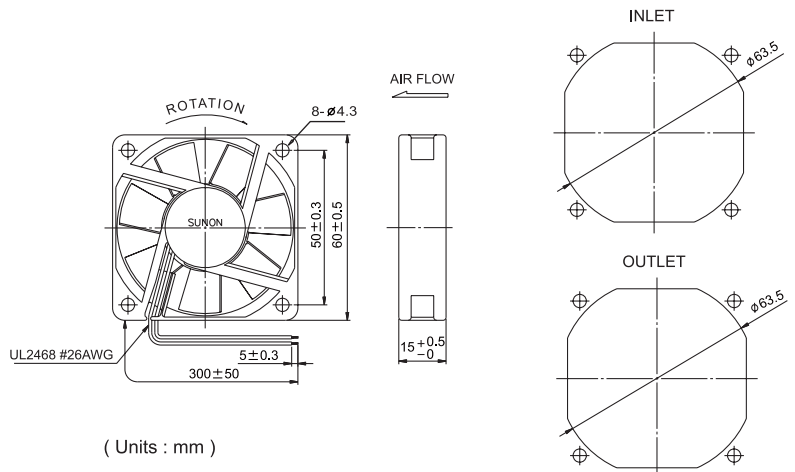
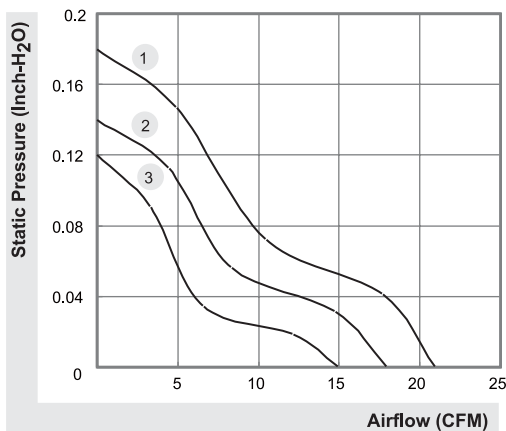
60x60x15 mm

15~21 CFM



	P/N	Bearing	Rating Voltage (VDC)	Power Current (AMP)	Power Consumption (WATTS)	Speed (RPM)	Air Flow (CFM)	Static Pressure (Inch-H ₂ O)	Noise (dBA)	Weight (g)	Curve
		● VAPO									
KDE0506PHV2	MS.A.GN	●	5	0.18	0.9	3800	18	0.14	31	44	2
KDE0506PHV3	MS.A.GN	●	5	0.10	0.5	3000	15	0.12	25	44	3
KDE1206PHV1	MS.A.GN	●	12	0.13	1.6	4300	21	0.18	36	42	1
KDE1206PHV2	MS.A.GN	●	12	0.08	1.0	3800	18	0.14	31	42	2
KDE1206PHV3	MS.A.GN	●	12	0.05	0.6	3000	15	0.12	25	42	3
KDE2406PHV1	MS.A.GN	●	24	0.077	1.9	4300	21	0.18	36	44	1
KDE2406PHV2	MS.A.GN	●	24	0.054	1.3	3800	18	0.14	31	44	2

Model	P/N	2BALL Sleeve	(VDC)	(AMP)	(WATTS)	(RPM)	(CFM)	(Inch-H ₂ O)	(dBA)	(g)	Curve
KD0506PHB2	(2).GN	⊙	5	0.195	1.0	3800	18	0.14	32	44	2
KD0506PHB3	(2).GN	⊙	5	0.119	0.6	3000	15	0.12	26	44	3
KD0506PHS2	GN	○	5	0.187	0.9	3800	18	0.14	31	44	2
KD0506PHS3	GN	○	5	0.115	0.6	3000	15	0.12	25	44	3
KD1206PHB1	(2).GN	⊙	12	0.154	1.9	4300	21	0.18	37	42	1
KD1206PHB2	(2).GN	⊙	12	0.094	1.1	3800	18	0.14	32	42	2
KD1206PHB3	(2).GN	⊙	12	0.062	0.7	3000	15	0.12	23	42	3
KD1206PHS1	GN	○	12	0.153	1.8	4300	21	0.18	36	42	1
KD1206PHS2	GN	○	12	0.093	1.1	3800	18	0.14	31	42	2
KD1206PHS3	GN	○	12	0.062	0.7	3000	15	0.12	25	42	3
KD2406PHS1	GN	○	24	0.086	2.1	4300	21	0.18	36	44	1
KD2406PHS2	GN	○	24	0.056	1.3	3800	18	0.14	31	44	2



*All model could be customized. Please contact with Sunon Sales.

*Specifications subject to change without notice. Please Visit SUNON web site at <http://www.sunon.com> for update information.