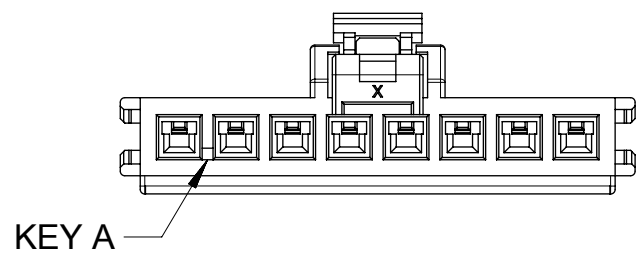
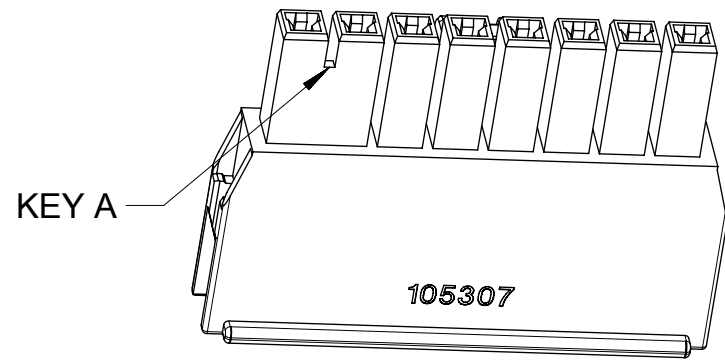


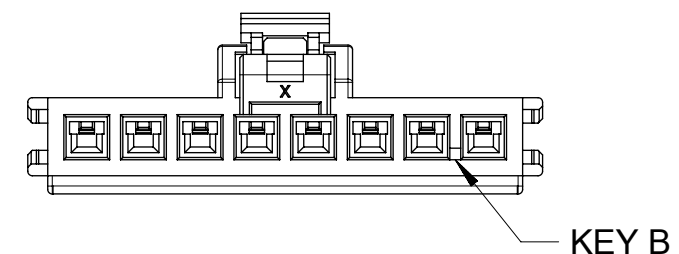
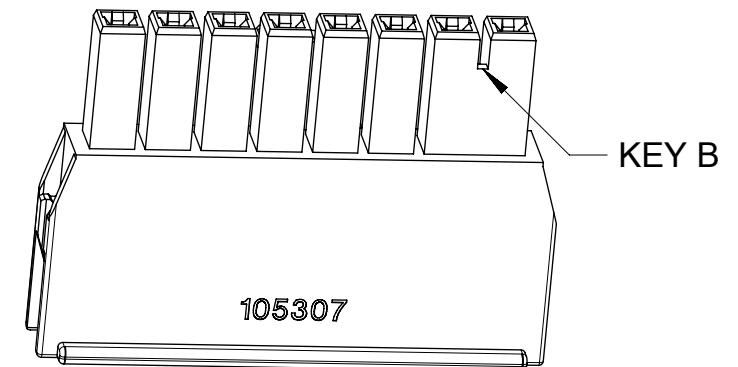
NOTES:

1. MATERIAL:
 OPTION 1: PA4T, 30% GLASS FILLED, 94V-0, BLACK
 OPTION 2: PA4T, 30% GLASS FILLED, 94V-0, NATUAL.
2. PRODUCT SPECIFICATION: PS-105300-100.
3. PACKAGE SPECIFICATION: PK-105307-100.
4. THE COMPONENT COMPLIANT TO RoHS DIRECTIVE 2011/65/EU AND ELV DIRECTIVE 2000/53/EC.
5. TO MATE WITH TERMINAL OF 105300-****.
 TO MATE WITH TPA OF 105325-****.
 TO MATE WITH HEADER OF 105309-****, 105311-**** AND 105313-****.
6. PARTS CONFORM TO CLASS 'B' REQUIREMENTS OF COSMETIC SPECIFICATION PS-45499-002.
7. APPLICATION SPECIFICATION: AS-105300-100.

THIS DRAWING CONTAINS INFORMATION THAT IS PROPRIETARY TO MOLEX ELECTRONIC TECHNOLOGIES, LLC AND SHOULD NOT BE USED WITHOUT WRITTEN PERMISSION															
QUALITY SYMBOLS	2016/03/30	2016/04/26	GENERAL TOLERANCES (UNLESS SPECIFIED)		DIMENSION UNITS	SCALE									
			ANGULAR TOL ± 3.0 °		MM	3:1									
▽A = 0	EC NO: 103921	CHK'D: GLLI	4 PLACES	±	DRWN BY	DATE	RECEPTACLE OF NANO-FIT, S/R, TPA POWER CONNECTOR PRODUCT CUSTOMER DRAWING								
▽E = 0			3 PLACES	±	GLLI	2014/08/13									
▽B = 0			2 PLACES	± 0.2	CHK'D BY	DATE						SERIES MATERIAL NUMBER CUSTOMER 105307 SEE SHEET 4 GENERAL MARKET			
▼ = 0			1 PLACE	± 0.3	APPR BY	DATE									
▽C = 0			0 PLACES	±	AYIN	2015/04/08						DOCUMENT NUMBER	DOC TYPE	DOC PART	SHEET NUMBER
⊗ = 0			DRAFT WHERE APPLICABLE MUST REMAIN WITHIN DIMENSIONS		DRAWING SIZE	THIRD ANGLE PROJECTION						SD-105307-100	PSD	000	1 OF 4
■ = 0	B	REV			A3										
▽ = 0															



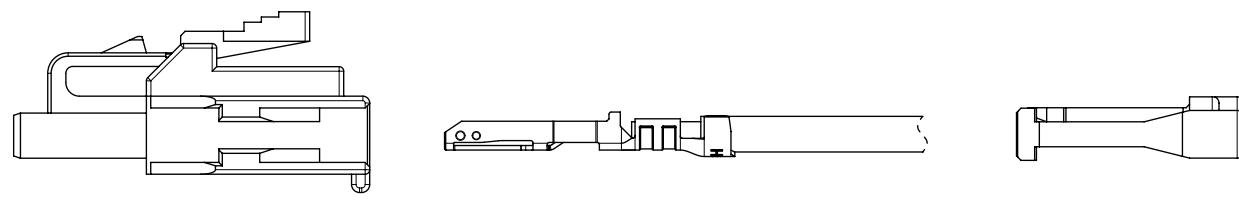
BLACK



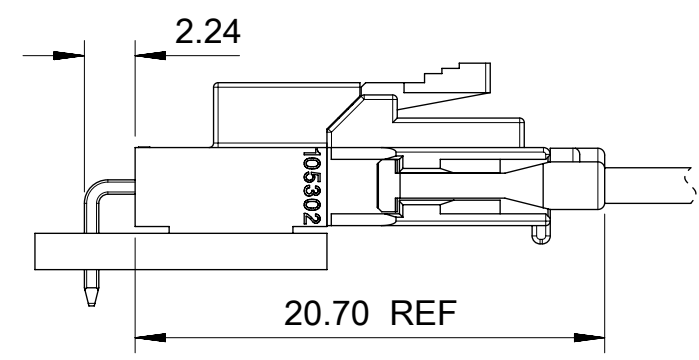
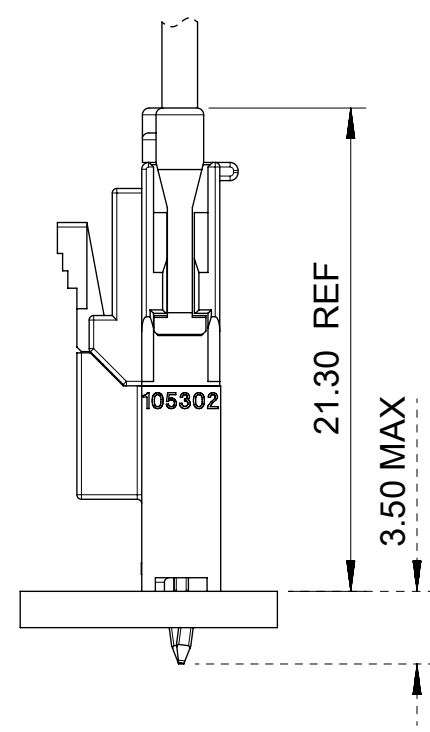
NATURAL

COLOR OPTION

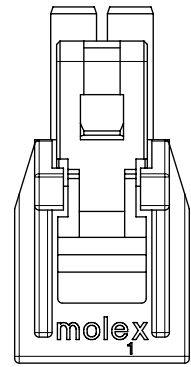
QUALITY SYMBOLS ▽ _A = 0 ▽ _E = 0 ▽ _B = 0 ▼ = 0 ▽ _C = 0 ⊗ = 0 ■ = 0 ▽ = 0	THIS DRAWING CONTAINS INFORMATION THAT IS PROPRIETARY TO MOLEX ELECTRONIC TECHNOLOGIES, LLC AND SHOULD NOT BE USED WITHOUT WRITTEN PERMISSION										
	2016/03/30 2016/04/26 EC NO: 103921 DRWN: GLLI CHK'D: APPR: AYIN	GENERAL TOLERANCES (UNLESS SPECIFIED)		DIMENSION UNITS	SCALE						
		ANGULAR TOL ± 3.0 °		MM	3:1						
		4 PLACES ±	DRWN BY		DATE						
		3 PLACES ±	GLLI		2014/08/13						
		2 PLACES ± 0.2	CHK'D BY		DATE						
	1 PLACE ± 0.3	APPR BY		DATE							
	0 PLACES ±	AYIN		2015/04/08							
	DRAFT WHERE APPLICABLE MUST REMAIN WITHIN DIMENSIONS		DRAWING SIZE	THIRD ANGLE PROJECTION			PRODUCT CUSTOMER DRAWING				
	B		A3				SERIES	MATERIAL NUMBER	CUSTOMER		
						105307	SEE SHEET 4	GENERAL MARKET			
					DOCUMENT NUMBER		DOC TYPE	DOC PART	SHEET NUMBER		
					SD-105307-100		PSD	000	2 OF 4		



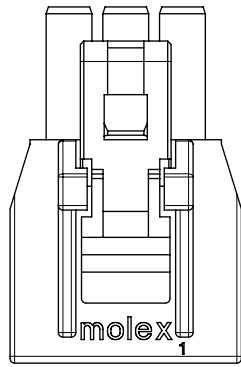
←
TERMINAL AND TPA ORIENTATION



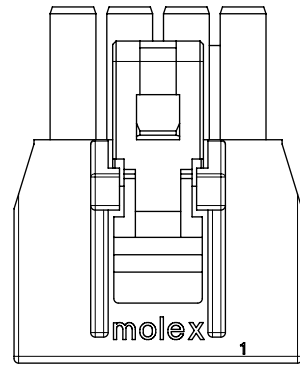
QUALITY SYMBOLS ▽A = 0 ▽E = 0 ▽P = 0 ▼ = 0 ▽C = 0 ⊗ = 0 ■ = 0 ▽ = 0	THIS DRAWING CONTAINS INFORMATION THAT IS PROPRIETARY TO MOLEX ELECTRONIC TECHNOLOGIES, LLC AND SHOULD NOT BE USED WITHOUT WRITTEN PERMISSION									
	2016/03/30	2016/04/26	GENERAL TOLERANCES (UNLESS SPECIFIED)		DIMENSION UNITS	SCALE				
			ANGULAR TOL ± 3.0 °		MM	3:1				
	EC NO: 103921 DRWN: GLLI CHK'D: APPR: AYIN	B REV	4 PLACES	±	DRWN BY	DATE	RECEPTACLE OF NANO-FIT, S/R, TPA POWER CONNECTOR PRODUCT CUSTOMER DRAWING			
			3 PLACES	±	GLLI	2014/08/13				
			2 PLACES	± 0.2	CHK'D BY	DATE				
			1 PLACE	± 0.3	APPR BY	DATE				
			0 PLACES	±	AYIN	2015/04/08				
	DRAFT WHERE APPLICABLE MUST REMAIN WITHIN DIMENSIONS		DRAWING SIZE	THIRD ANGLE PROJECTION	SERIES: 105307 MATERIAL NUMBER: SEE SHEET 4 CUSTOMER: GENERAL MARKET					
			A3		DOCUMENT NUMBER: SD-105307-100 DOC TYPE: PSD DOC PART: 000 SHEET NUMBER: 3 OF 4					



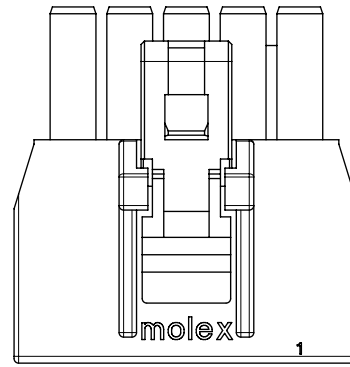
2 CKT



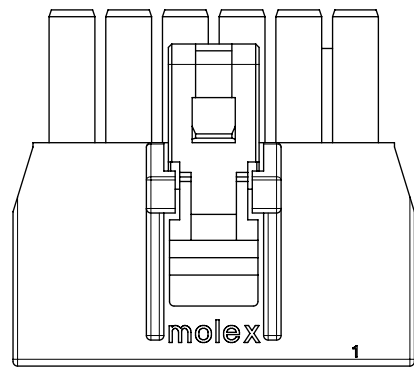
3 CKT



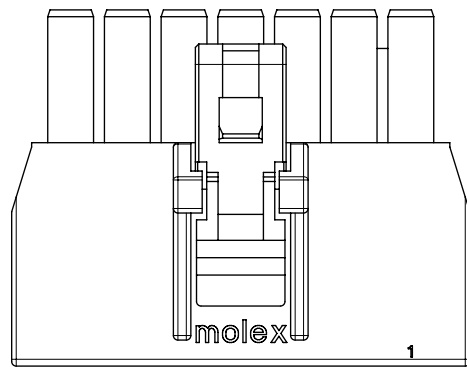
4 CKT



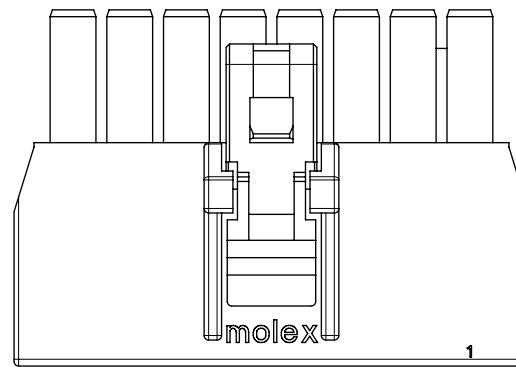
5 CKT



6 CKT



7 CKT



8 CKT

WITH TPA FEATURE			
PART No	DIM 'A'	CKT SIZE	COLOR
105307-1202	7.70	2	BLACK (KEY A)
105307-1203	10.20	3	
105307-1204	12.70	4	
105307-1205	15.20	5	
105307-1206	17.70	6	
105307-1207	20.20	7	
105307-1208	22.70	8	
105307-2202	7.70	2	
105307-2203	10.20	3	
105307-2204	12.70	4	
105307-2205	15.20	5	
105307-2206	17.70	6	
105307-2207	20.20	7	
105307-2208	22.70	8	

105307- * * * *

CIRCUIT SIZE

TPA OPTION: 1 - STANDARD
2 - WITH TPA

COLOR OPTION: 1 - BLACK
2 - NATURAL

THIS DRAWING CONTAINS INFORMATION THAT IS PROPRIETARY TO MOLEX ELECTRONIC TECHNOLOGIES, LLC AND SHOULD NOT BE USED WITHOUT WRITTEN PERMISSION											
QUALITY SYMBOLS	2016/03/30	2016/04/26	GENERAL TOLERANCES (UNLESS SPECIFIED)		DIMENSION UNITS	SCALE					
			ANGULAR TOL ± 3.0 °		MM	3:1					
▽A = 0	EC NO: 103921	DRWN: GLLI	4 PLACES ±	DRAFT WHERE APPLICABLE MUST REMAIN WITHIN DIMENSIONS	DRWN BY	DATE	RECEPTACLE OF NANO-FIT, S/R, TPA POWER CONNECTOR				
▽E = 0			3 PLACES ±		GLLI	2014/08/13					
▽B = 0			2 PLACES ± 0.2		CHK'D BY	DATE	PRODUCT CUSTOMER DRAWING				
▽ = 0			1 PLACE ± 0.3		APP'R BY	DATE					
▽C = 0			0 PLACES ±		AYIN	2015/04/08	SERIES	MATERIAL NUMBER	CUSTOMER		
▽D = 0			DRAFT WHERE APPLICABLE MUST REMAIN WITHIN DIMENSIONS		DRAWING SIZE		THIRD ANGLE PROJECTION			105307	SEE CHART
▽ = 0	B		A3					DOCUMENT NUMBER	DOC TYPE	DOC PART	SHEET NUMBER
RELEASE STATUS		P1	RELEASE DATE	27.04.2016	07:06:48	SD-105307-100		PSD	000	4 OF 4	