

Mounting base housing - ICS25-B122X98-V-7035 - 2203885

Please be informed that the data shown in this PDF Document is generated from our Online Catalog. Please find the complete data in the user's documentation. Our General Terms of Use for Downloads are valid (<http://phoenixcontact.com/download>)




DIN rail housing, Lower housing part with metal foot catch, Level 1: with vents, width: 25 mm, height: 122.5 mm, depth: 108.35 mm, color: light gray (7035), cross connection: DIN rail connector (optional), number of positions cross connector: 8

Your advantages

- ✓ Flexible use, thanks to the modular system and unique modularity in the connection technology
- ✓ Standardized connections such as RJ45, USB, D-SUB and antenna sockets as components that can be integrated
- ✓ Optimal space utilization, as well as adaptability of design, colors, and printing
- ✓ Eight-position DIN rail connectors with parallel and up to two serial contacts for easy module-to-module communication



Key Commercial Data

Packing unit	10 pc
Minimum order quantity	10 pc
GTIN	 4 055626 465906
GTIN	4055626465906
Weight per Piece (excluding packing)	57.200 g
Custom tariff number	85389099
Country of origin	Germany
Sales Key	ACHAEB

Technical data

Item properties

Brief article description	Mounting base housing
Type	ICS25-B122X98-V-7035
Order No.	2203885
Housing type	DIN rail housing
Housing series	ICS
Range of articles	ICS25
Type	Lower housing part with metal foot catch

Mounting base housing - ICS25-B122X98-V-7035 - 2203885

Technical data

Item properties

Max. IP code to attain	IP20
Mounting type	DIN rail mounting
Number of rows	4
Connection levels	3 (Both sides)
Ventilation openings present	yes
Max. number of positions	24 (pitch: 5 mm)
	30 (pitch: 3.5 mm)

Dimensions

Width [w]	25 mm
Height [h]	122.5 mm
Depth [d]	108.35 mm
Depth from top edge of DIN rail [d]	98.15 mm
Dimensions	25 mm x 122 mm x 110 mm (Lower housing part with upper housing part)

Material data

Housing material	Polyamide
Surface characteristics	untreated
Color (RAL)	light gray (7035)
Flammability rating according to UL 94	V0

Ambient conditions

Ambient temperature (storage/transport)	-40 °C ... 55 °C
Ambient temperature (assembly)	-5 °C ... 100 °C
Ambient temperature (operation)	-40 °C ... 105 °C (depending on power dissipation)
Relative humidity (storage/transport)	80 %

PCB data

Number of PCB holders	2
Mounting position	Vertical (horizontal DIN rail)
Type of PCB mount	Latching

Power dissipation, single housing at 20 °C

Ambient temperature	20 °C
Reduction factor	1
Mounting position	vertical
Power dissipation	17 W

Power dissipation, single housing at 30 °C

Ambient temperature	30 °C
Reduction factor	0.81
Mounting position	vertical
Power dissipation	13.5 W

Mounting base housing - ICS25-B122X98-V-7035 - 2203885

Technical data

Power dissipation, single housing at 40 °C

Ambient temperature	40 °C
Reduction factor	0.67
Mounting position	vertical
Power dissipation	11.4 W

Power dissipation, single housing at 50 °C

Ambient temperature	50 °C
Reduction factor	0.53
Mounting position	vertical
Power dissipation	9 W

Power dissipation, single housing at 60 °C

Ambient temperature	60 °C
Reduction factor	0.41
Mounting position	vertical
Power dissipation	7 W

Mechanical strength/tumbling barrel

Specification	IEC 60068-2-31:2008-05
Height of fall	50 cm
Number of drop cycles	50

Vibration test

Specification	IEC 60068-2-6:2007-12
Frequency	10 - 150 - 10 Hz
Sweep speed	1 octave/min
Amplitude	0.15 mm (10 - 58.1 Hz)
Acceleration	2g (58.1 - 150 Hz)
Test duration per axis	2.5 h
Test directions	X-, Y- and Z-axis

Shock

Specification	IEC 60068-2-27:2008-02
Pulse shape	Semi-sinusoidal
Acceleration	15g
Shock duration	11 ms
Number of shocks per direction	3
Test directions	X-, Y- and Z-axis (pos. and neg.)

Thermostability (Ball Thrust Test)

Specification	IEC 60695-10-2:2014-02
Temperature	125 °C
Test duration	1 h
Force	20

Mounting base housing - ICS25-B122X98-V-7035 - 2203885

Technical data

Test for assessing the risk of fire (glow wire)

Specification	IEC 60695-2-11:2014-02
Temperature	850 °C
Time of exposure	30 s

Testing for paint wetting impairment substances (LABS-conformity)

Specification	VW PV 3.10.7:2005-02
---------------	----------------------

Degrees of protection provided by housings (IP code)

Specification	IEC 60529:1989-11 + AMD 1:1999-11 + AMD 2:2013-08
Result, degree of protection, IP code	IP20

Protection against electric shock

Specification	IEC 60529:1989-11 + AMD 1:1999-11 + AMD 2:2013-08
Requirements, protection against electric shock	It must not be possible to touch any conductive part with the IEC test finger and a test force of 10 N.

General information

Type of note	Assembly instruction:
Note	Refer to the data sheet for the range in the download area.
Type of note	Recommendation
Note	Material of contact pads for bus connector, galvanic gold (hard gold)

Packaging information

Type of packaging	packed in cardboard
Pieces per package	10
Denomination packing units	Pcs.
Outer packaging type	Carton

Standards and regulations

Flammability rating according to UL 94	V0
--	----

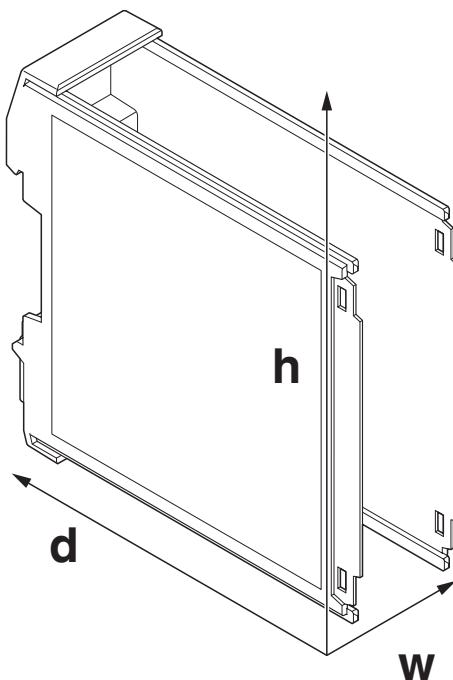
Environmental Product Compliance

China RoHS	Environmentally friendly use period: unlimited = EFUP-e
	No hazardous substances above threshold values

Drawings

Mounting base housing - ICS25-B122X98-V-7035 - 2203885

Dimensional drawing



Classifications

eCl@ss

eCl@ss 10.0.1	27182702
eCl@ss 11.0	27182702
eCl@ss 5.1	27180505
eCl@ss 6.0	27180800
eCl@ss 7.0	27182702
eCl@ss 9.0	27182702

ETIM

ETIM 6.0	EC001031
ETIM 7.0	EC001031

UNSPSC

UNSPSC 18.0	31261501
UNSPSC 19.0	31261501
UNSPSC 20.0	31261501
UNSPSC 21.0	31261501

Approvals

Approvals

Mounting base housing - ICS25-B122X98-V-7035 - 2203885

Approvals

Approvals

UL Recognized

Ex Approvals

Approval details

UL Recognized		http://database.ul.com/cgi-bin/XYV/template/LISEXT/1FRAME/index.htm	FILE E 240868
---------------	---	---	---------------

Accessories

Accessories

Connection plate

Connection plate - ICS25-F22S-7035 - 2203890



DIN rail housing, ICS filler, closed, width: 25 mm, height: 7 mm, depth: 22.5 mm, color: light gray (7035)

Connection plate - ICS25-F45S-7035 - 2203891



DIN rail housing, ICS filler, closed, width: 25 mm, height: 7 mm, depth: 45 mm, color: light gray (7035)

Connection plate - ICS25-F22V-7035 - 1079495



DIN rail housing, ICS filler, with vents, width: 25 mm, height: 7 mm, depth: 22.5 mm, color: light gray (7035)

Mounting base housing - ICS25-B122X98-V-7035 - 2203885

Accessories

Connection plate - ICS25-F45V-7035 - 1079492

DIN rail housing, ICS filler, with vents, width: 25 mm, height: 7 mm, depth: 45 mm, color: light gray (7035)



Connection plate - ICS25-F22J-7035 - 2203895

DIN rail housing, ICS filler, with RJ45 function cutout, width: 25 mm, height: 7 mm, depth: 22.5 mm, color: light gray (7035)



Connection plate - ICS25-F22U-7035 - 1053046

DIN rail housing, ICS filler, with USB function cutout, width: 25 mm, height: 7 mm, depth: 22.5 mm, color: light gray (7035)



Connection plate - ICS25-F22A-7035 - 2203894

DIN rail housing, ICS filler, with antenna function cutout, width: 25 mm, height: 7 mm, depth: 22.5 mm, color: light gray (7035)



Connection plate - ICS25-F45D15-7035 - 2203896

DIN rail housing, ICS filler, with D-SUB 15 function cutout, width: 25 mm, height: 7 mm, depth: 45 mm, color: light gray (7035)



DIN rail connector

Mounting base housing - ICS25-B122X98-V-7035 - 2203885

Accessories

DIN rail bus connectors - TBUS8-25,0-PPPPPPPP-7035 - 2202891



DIN rail connector, color: light gray, nominal current: 6 A (parallel contacts), rated voltage (III/2): 32 V, Number of positions per row: 8, pitch: 2.54 mm, mounting: DIN rail mounting, Locking: without, mounting: without, type of packaging: packed in cardboard, Item with gold-plated contacts, bus connectors for connecting with electronics housings, 8 parallel contacts

DIN rail bus connectors - TBUS8-25,0-PPPPPPPS-7035 - 2202890



DIN rail connector, color: light gray, nominal current: 6 A, 4 A (parallel contacts) (Serial contacts), rated voltage (III/2): 32 V, Number of positions per row: 8, pitch: 2.54 mm, mounting: DIN rail mounting, Locking: without, mounting: without, type of packaging: packed in cardboard, Item with gold-plated contacts, bus connectors for connecting with electronics housings, 7 parallel contacts/1 serial contact

DIN rail bus connectors - TBUS8-25,0-PPPPPPSS-7035 - 2202895



DIN rail connector, color: light gray, nominal current: 6 A, 4 A (parallel contacts) (Serial contacts), rated voltage (III/2): 32 V, Number of positions per row: 8, pitch: 2.54 mm, mounting: DIN rail mounting, Locking: without, mounting: without, type of packaging: packed in cardboard, Item with gold-plated contacts, bus connectors for connecting with electronics housings, 6 parallel contacts/2 serial contacts

PCB headers

PCB header - ICC25-H/4L5,0-7035 - 2203902



PCB header, nominal cross section: 2.5 mm², color: light gray, nominal current: 16 A, rated voltage (III/2): 320 V, type of contact: Male connector, number of potentials: 4, Number of rows: 1, Number of positions per row: 4, number of connections: 4, product range: ICC..-H/..L5,0, pitch: 5 mm, mounting: Wave soldering, pin layout: Linear pinning, solder pin [P]: 3.5 mm, Pin connector pattern alignment: Standard, Locking: Snap-in locking, mounting: without, type of packaging: Box packaging, Product with pin output on left side

PCB header - ICC25-H/4R5,0-7035 - 2203903



PCB header, nominal cross section: 2.5 mm², color: light gray, nominal current: 16 A, rated voltage (III/2): 320 V, type of contact: Male connector, number of potentials: 4, Number of rows: 1, Number of positions per row: 4, number of connections: 4, product range: ICC..-H/..R5,0, pitch: 5 mm, mounting: Wave soldering, pin layout: Linear pinning, solder pin [P]: 3.5 mm, Pin connector pattern alignment: Standard, Locking: Snap-in locking, mounting: without, type of packaging: Box packaging, Product with pin output on right side

PCB plug

Mounting base housing - ICS25-B122X98-V-7035 - 2203885

Accessories

Printed-circuit board connector - PSPT 2,5/ 4-ST KMGY - 2202344



PCB connector, nominal cross section: 2.5 mm², color: light gray, nominal current: 16 A, rated voltage (III/2): 300 V, contact surface: Tin, type of contact: Female connector, number of potentials: 4, Number of rows: 1, Number of positions per row: 4, number of connections: 4, product range: PSPT 2,5/..-ST, pitch: 5 mm, connection method: Push-in spring connection, conductor/PCB connection direction: 0 °, Locking clip: - Locking clip, Locking: without, mounting: without, type of packaging: packed in cardboard, Color of the spring lever: orange

Printed-circuit board connector - MSTBT 2,5 HC/ 4-STP GY7035 - 2200332



PCB connector, nominal cross section: 2.5 mm², color: light gray, nominal current: 16 A, rated voltage (III/2): 320 V, contact surface: Tin, type of contact: Female connector, Number of rows: 1, Number of positions per row: 4, product range: MSTBT 2,5 HC/..-STP, pitch: 5 mm, connection method: Screw connection with tension sleeve, conductor/PCB connection direction: 0 °, plug-in system: POWER COMBICON 2,5, Locking: without, mounting: without

Upper housing part

Upper part of housing - ICS25-C122X12-7035 - 2203886

DIN rail housing, Upper part, closed, width: 25 mm, height: 122 mm, depth: 14.35 mm, color: light gray (7035)



Upper part of housing - ICS25-TL122X12-7035 - 2203887

DIN rail housing, Upper part, with transparent hinged cover, width: 25 mm, height: 122 mm, depth: 14.35 mm, color: light gray (7035)



Additional products

Upper housing part with display - ICS25-C122X12-DKP-7035 - 1215685

DIN rail housing, Upper part, integrated 0.96" display, Resolution: 80 x 160 Pixel(s), interface: 4-wire SPI half duplex, width: 25 mm, height: 122 mm, color: light gray (7035)



Mounting base housing - ICS25-B122X98-V-7035 - 2203885

Accessories

Membrane keypad - KP ICS25X122 K4 C3 P5 - 1215684

Membrane keypad for ICS25x122, self-adhesive, conductive silver technology, 4 keys, 2 colors, 5-position connection lug, pitch: 1.0 mm, transparent window for 0.96" TFT display



Phoenix Contact 2021 © - all rights reserved
<http://www.phoenixcontact.com>