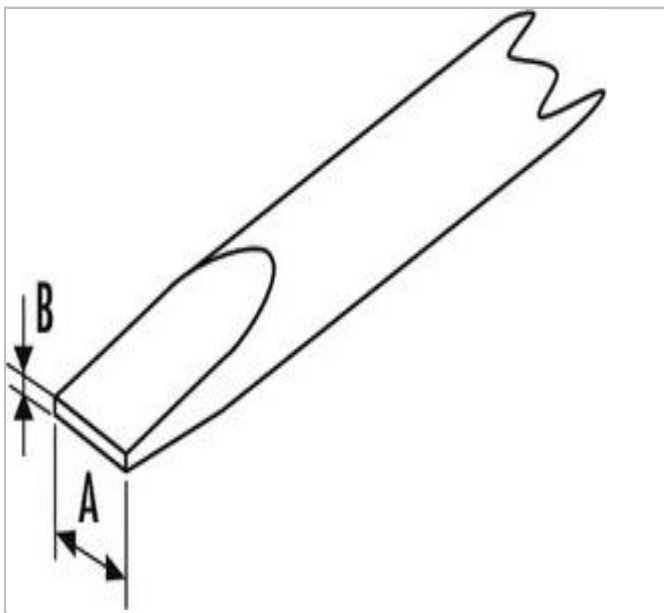



## EXPERT Screwdrivers for slotted head screws (flared)



### Description:

- ISO 2380-1
- ISO 2380-2
- trimaterial ergonomic comfortable and effective handle.
- Bit color code: red.
- Round chrome plated blade in Chrome Vanadium steel.
- Sand-blasted tip.



	Diameter [mm]	Length L1 [mm]	Length L2 [mm]	Weight [g]	Tip Size ["]	Handle Style ["]	Ratcheting ["]
<b>E160201</b>	27	177	75	28	3/32"	Tri-Material	Non-Ratcheting
<b>E160206</b>	40	241	125	117	5/16"	Tri-Material	Non-Ratcheting
<b>E165016</b>	43	202	100	42	3/16"	Tri-Material	Non-Ratcheting
<b>E165098</b>	32	205	100	69	1/4"	Tri-Material	Non-Ratcheting
<b>E165138</b>	40	291	175	177	3/8"	Tri-Material	Non-Ratcheting
<b>E165141</b>	40	266	150	123	5/16"	Tri-Material	Non-Ratcheting
<b>E165479</b>	30	173	75	31	1/8"	Tri-Material	Non-Ratcheting
<b>E165480</b>	38	198	100	32	1/8"	Tri-Material	
<b>E165481</b>	47	227	125	46	3/16"	Tri-Material	Non-Ratcheting
<b>E165482</b>	32	230	125	73	5/16"	Tri-Material	Non-Ratcheting
<b>E165483</b>	32	227	150	47	1/4"	Tri-Material	Non-Ratcheting