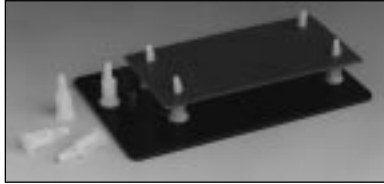


CIRCUIT BOARD HARDWARE

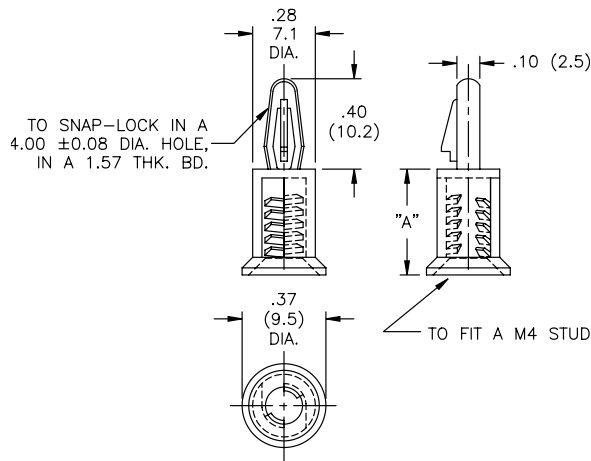
SFCBS Series

Stud Fitting Circuit Board Support



Features

- Simply push onto stud and turn to lock into place
- For M-4 Stud, 8.0 to 18.0mm long

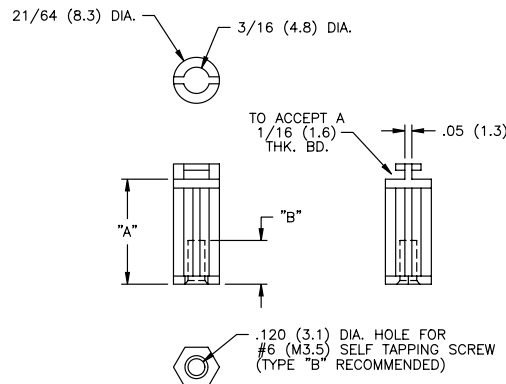


Material: Nylon 6/6, RMS-01
Color: Natural

Part No.	Standard Pack: 1000 per bag	
	"A" ± 0.4mm	Stud Length
SFCBS-M4-12M-01	12.0 mm	10.0 mm
SFCBS-M4-14M-01	14.0 mm	12.0 mm
SFCBS-M4-16M-01	16.0 mm	14.0 mm
SFCBS-M4-18M-01	18.0 mm	16.0 mm
SFCBS-M4-20M-01	20.0 mm	18.0 mm

TCEHCBS Series

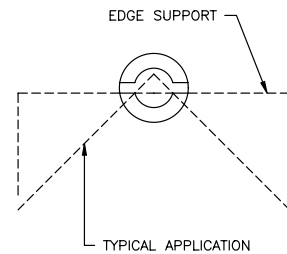
Screw Mount Corner / Edge Holding Circuit Board Support



Material: Nylon 6/6, RMS-01
Color: Natural

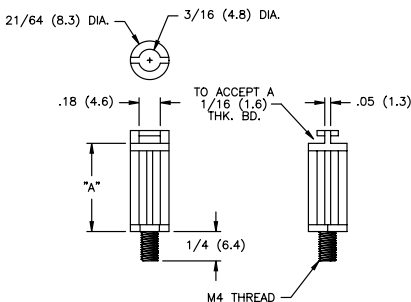
Part No.	Standard Pack: 1000 per bag	
	"A" ± .015 (0.4)	"B" ± .015 (0.4)
TCEHCBS-4-01	1/4 (6.4)	13/64 (5.2)
TCEHCBS-6-01	3/8 (9.5)	5/16 (7.9)
TCEHCBS-8-01	1/2 (12.7)	
TCEHCBS-10-01	5/8 (15.9)	
TCEHCBS-12-01	3/4 (19.1)	
TCEHCBS-14-01	7/8 (22.2)	

Part available in V-0 material by special order. To order, replace -01 with -19.



MSCEHCBS Series

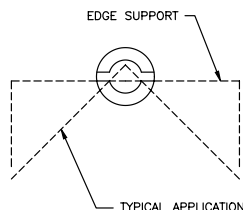
Metric Stud Corner / Edge Holding Circuit Board Support



Material: Nylon 6/6, RMS-01
Color: Natural

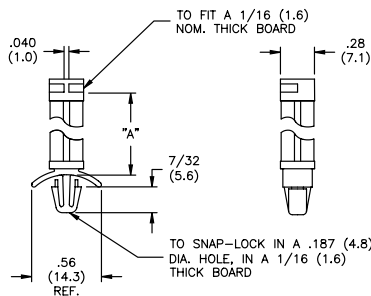
Part No.	Standard Pack: 1000 per bag
	"A" ± .015 (0.4)
MSCEHCBS-4-01	1/4 (6.4)
MSCEHCBS-6-01	3/8 (9.5)
MSCEHCBS-8-01	1/2 (12.7)
MSCEHCBS-10-01	5/8 (15.9)
MSCEHCBS-12-01	3/4 (19.1)
MSCEHCBS-14-01	7/8 (22.2)

Part available in V-0 material by special order. To order, replace -01 with -19.



CHCBS Series

Corner Holding Circuit Board Support



Material: Nylon 6/6, RMS-01
Color: Natural

Part No.	Standard Pack: 1000 per bag
	"A" ± .015 (0.4)
CHCBS-4-01	1/4 (6.4)
CHCBS-6-01	3/8 (9.5)
CHCBS-8-01	1/2 (12.7)
CHCBS-10-01	5/8 (15.9)
CHCBS-12-01	3/4 (19.1)
CHCBS-14-01	7/8 (22.2)

Part available in V-0 material by special order. To order, replace -01 with -19.

