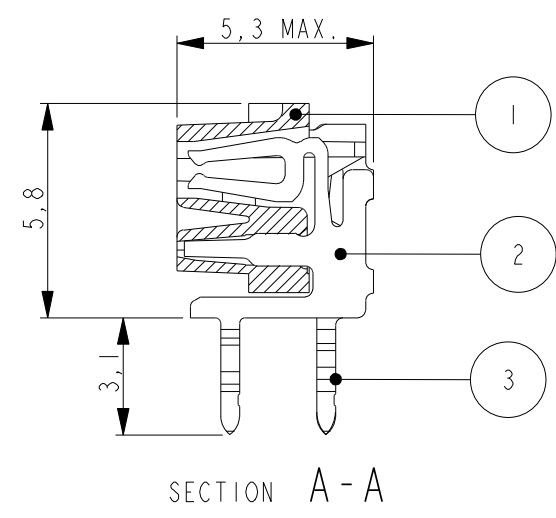
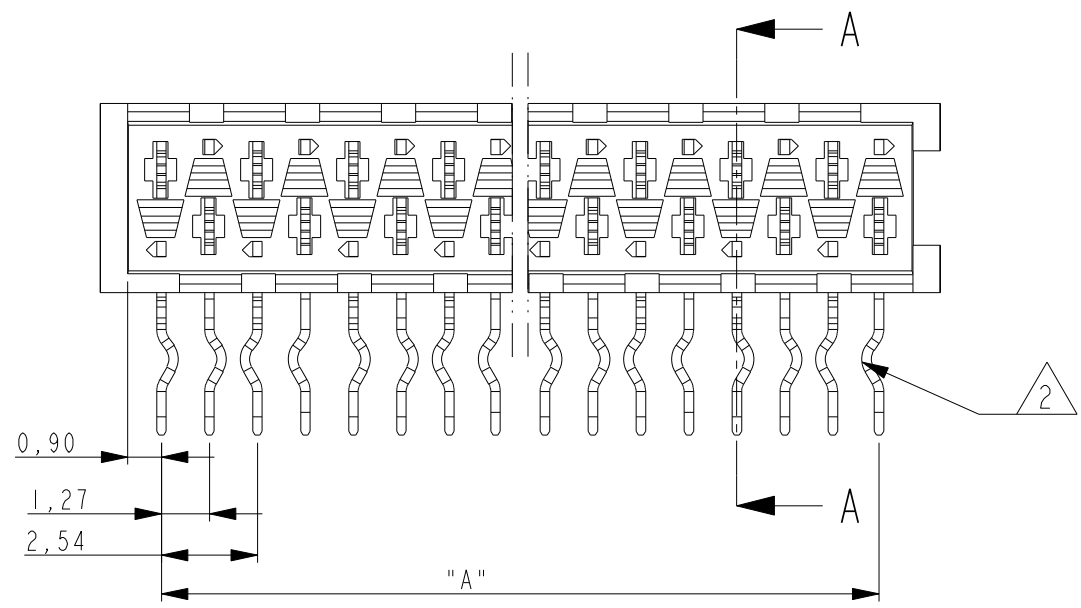
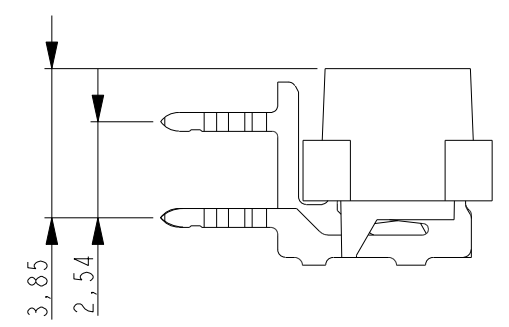
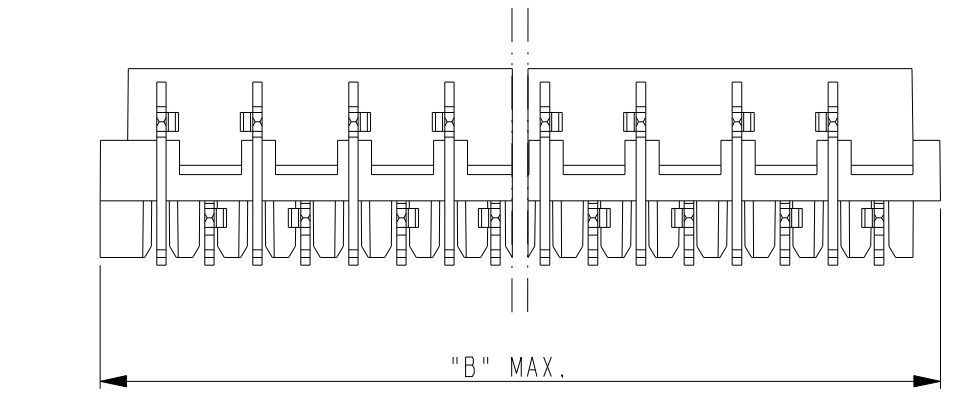


THIS DRAWING IS UNPUBLISHED. RELEASED FOR PUBLICATION  
 © COPYRIGHT - BY TYCO ELECTRONICS CORPORATION. ALL RIGHTS RESERVED.

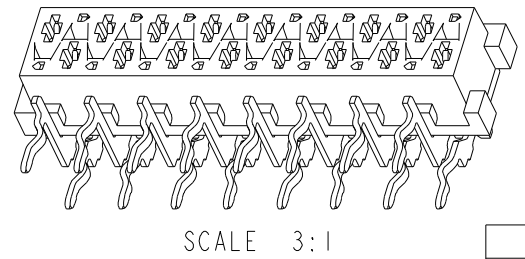
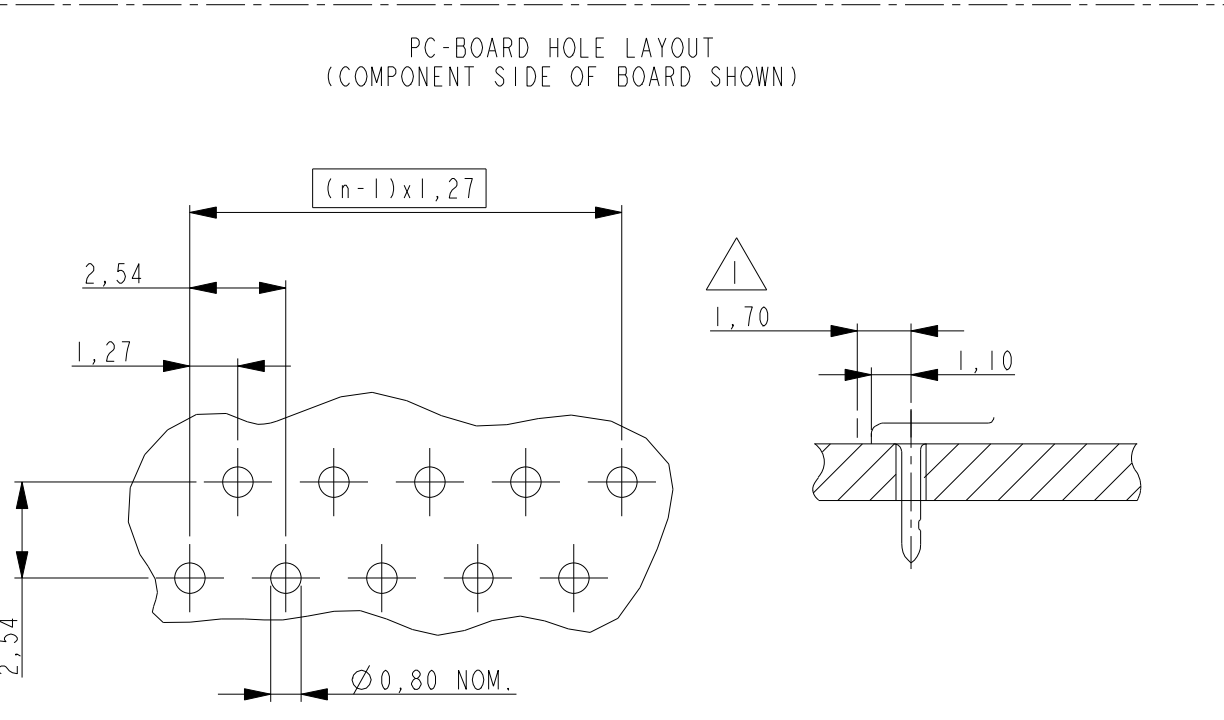
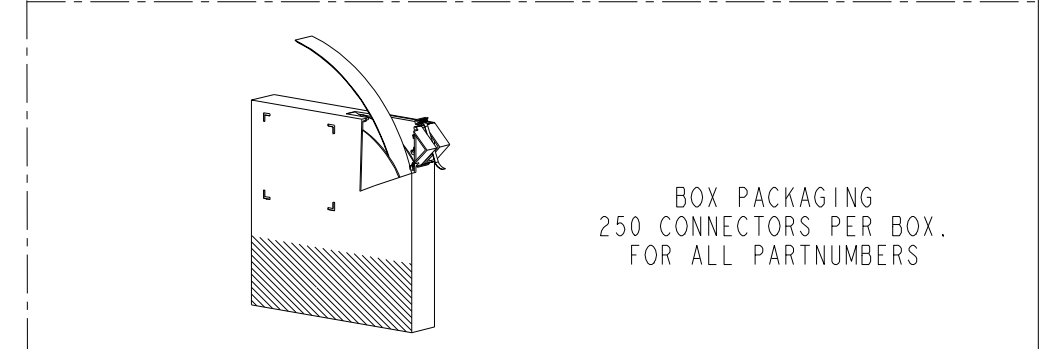
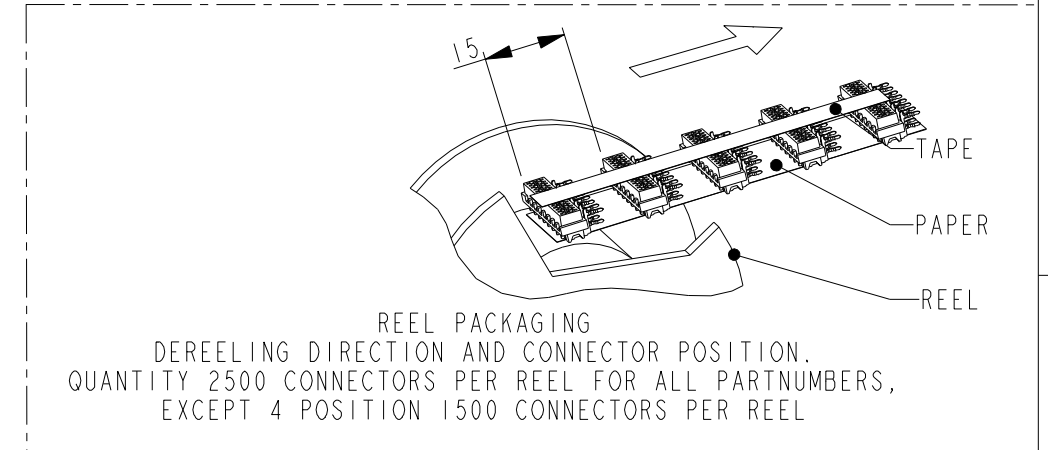
LOC	DIST	REVISIONS					
H	-	P	LTR	DESCRIPTION	DATE	DWN	APVD
		T		EH01-0232-04	16FEB04	JvdH	EL
		U		EHC0-0337-04	17JUN04	JvdH	EL
		UI		ECR-09-010124	07MAY09	AEG	WRV



PARTNUMBER BOX PACKAGING	PARTNUMBER REEL PACKAGING	NR OF POS "n"	DIMENSION "A"	DIMENSION "B" MAX
7-215460-4	215460-4	4	3,81	7,1
7-215460-6	215460-6	6	6,35	9,7
7-215460-8	215460-8	8	8,89	12,2
8-215460-0	1-215460-0	10	11,43	14,7
8-215460-2	1-215460-2	12	13,97	17,3
8-215460-4	1-215460-4	14	16,51	19,8
8-215460-6	1-215460-6	16	19,05	22,4
8-215460-8	1-215460-8	18	21,59	24,9
9-215460-0	2-215460-0	20	24,13	27,4



NOTES:  
 1 THIS AREA IS RESERVED FOR CONTACTS  
 2 DIRECTION OF KINK OPTIONAL.



THIS DRAWING IS A CONTROLLED DOCUMENT FOR TYCO ELECTRONICS CORPORATION IT IS SUBJECT TO CHANGE AND THE CONTROLLING ENGINEERING ORGANIZATION SHOULD BE CONTACTED FOR THE LATEST REVISION.

DIMENSIONS:	TOLERANCES UNLESS OTHERWISE SPECIFIED:
mm	0 PLC ±-
	1 PLC ±-
	2 PLC ±-
	3 PLC ±-
	4 PLC ±-
ANGLES	±-
MATERIAL	FINISH
SEE TABLE	SEE TABLE

3	FEMALE CONTACT	PHOSOPHORBRONZE	TIN OVER NICKEL PLATING
2	FEMALE CONTACT	PHOSOPHORBRONZE	TIN OVER NICKEL PLATING
1	HOUSING	GLASS FILLED POLYESTER (RED)	
ITEM NO.	DESCRIPTION	MATERIAL	FINISH
DWN	M. GOSSELINK		
CHK			
APVD			
PRODUCT SPEC	108-19052		
APPLICATION SPEC			
WEIGHT	-		
CUSTOMER DRAWING		SCALE 5:1	SHEET 1 OF 1

**Tyco Electronics** TYCO ELECTRONICS NEDERLAND B.V.  
 's-HERTOGENBOSCH, THE NETHERLANDS

**Micro-MaTch**  
 FEMALE ON BOARD CONNECTOR  
 SIDE ENTRY

SIZE: A3 CAGE CODE: 00779 DRAWING NO: C-215460 RESTRICTED TO: -