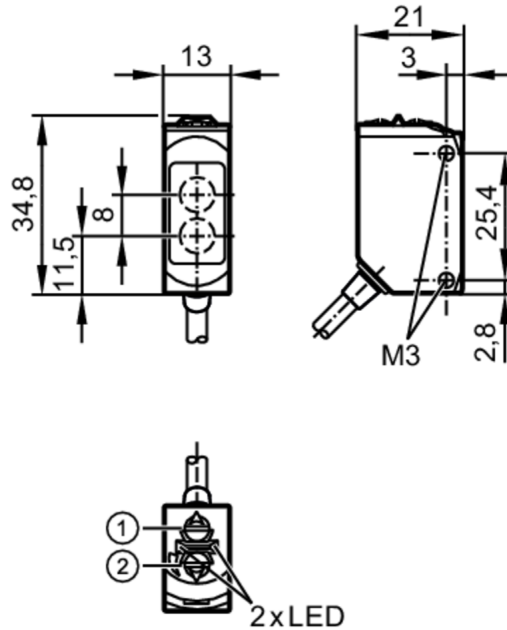


O6P304



Retro-reflective sensor

O6P-FNKG



- 1 output function switch
- 1 potentiometer sensitivity
- receiver in upper lens
- transmitter in lower lens



Product characteristics

Type of light	red light
Housing	rectangular

Application

Special feature	polarisation filter
Function principle	Retro-reflective sensor

Electrical data

Operating voltage	[V]	10...30 DC
Current consumption	[mA]	12; ((24 V))
Protection class		III
Reverse polarity protection		yes
Type of light		red light
Wave length	[nm]	633

Outputs

Electrical design		NPN
Output function		light-on/dark-on mode; (selectable)
Max. voltage drop switching output DC	[V]	2.5
Permanent current rating of switching output DC	[mA]	100
Switching frequency DC	[Hz]	1000
Short-circuit protection		yes

O6P304



Retro-reflective sensor

O6P-FNKG

Type of short-circuit protection	pulsed
----------------------------------	--------

Detection zone	
Range referred to prismatic reflector [m]	0.05...5; (Prismatic reflector Ø 80 E20005)
Range adjustable	yes
Max. light spot diameter [mm]	150
Light spot dimensions refer to	at maximum range
Polarisation filter available	yes

Operating conditions	
Ambient temperature [°C]	-25...80
Protection	IP 65; IP 67; IP 68; IP 69K

Tests / approvals	
EMC	EN 60947-5-2
MTTF [years]	908
UL approval	UL Approval no. E003

Mechanical data	
Weight [g]	81.2
Housing	rectangular
Materials	housing: stainless steel (316L/1.4404); plastics: PPSU; Sealing: EPDM
Lens material	PMMA
Lens alignment	side lens
Tightening torque [Nm]	1; (screws)

Displays / operating elements		
Display	switching status	1 x LED, yellow
	operation	1 x LED, green

Remarks	
Remarks	operating voltage "supply class 2" according to cULus
Pack quantity	1 pcs.

O6P304



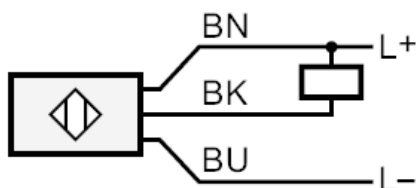
Retro-reflective sensor

O6P-FNKG

Electrical connection

Cable: 2 m, PVC; 3 x 0.25 mm²

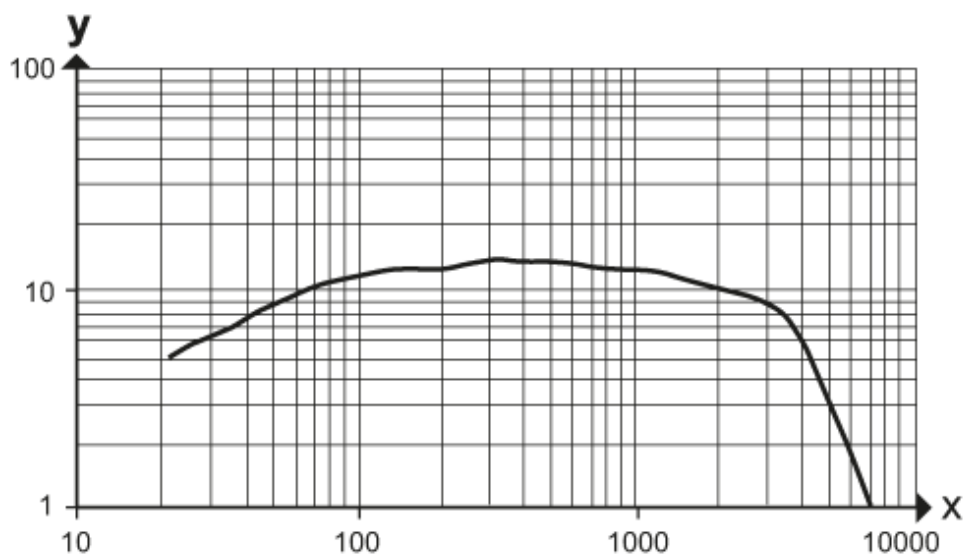
Connection



Core colours :
BN = brown
BK = black
BU = blue

Diagrams and graphs

excess gain graph



x: distance [mm]

y: excess gain factor