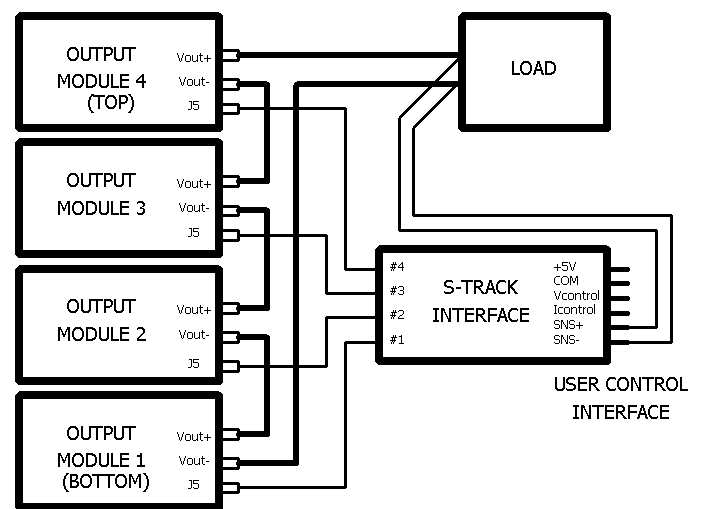


The NEVO series are modular, user configurable power supplies offering unrivalled performance and flexibility. Our standard output modules offer voltages from 1.5V_{DC} to 58V_{DC} and can deliver up to 25A per module. The NEVO also offers customers the potential to connect output modules in series or parallel resulting in output voltages of up to 240V_{DC} and output currents of up to 100A at output powers of up to 600 watts. The flexibility of the NEVO power platform enables customers to configure solutions locally for almost any application.

Output modules 1 to 4 also come with full range analogue remote control of both voltage and current as standard and now with the release of the new S-Track Interface, multiple outputs which have been connected in series of the same module type can be easily controlled using a single control voltage.

Typically, the control of multiple outputs connected in series requires complicated circuitry to generate isolated control signals for each output module. Vox Power's S-Track Interface plugs directly into each output module and provides a single analogue control bus for up to 4 modules of the same type which are connected in series. A typical configuration is illustrated in the diagram opposite which shows four modules connected in series which are fully controllable through the S-Track Interface. However, two or three modules connected in series may also be controlled in the same manner.

To control all modules connected in series the customer should connect the power cables (and sense cables, if required) as shown in the example. Set the switch settings on the S-Track interface for the correct number of seriesed modules (see table opposite), then attach the S-Track output cables (1, 2, 3 & 4) to J5 on each module in the series chain. When controlling less than 4 modules leave the remaining signal cables unconnected. The bottom module should always be connected to S-Track output #1, then the next to #2 and so on until the top module is reached.



Series Tracker Interface programming

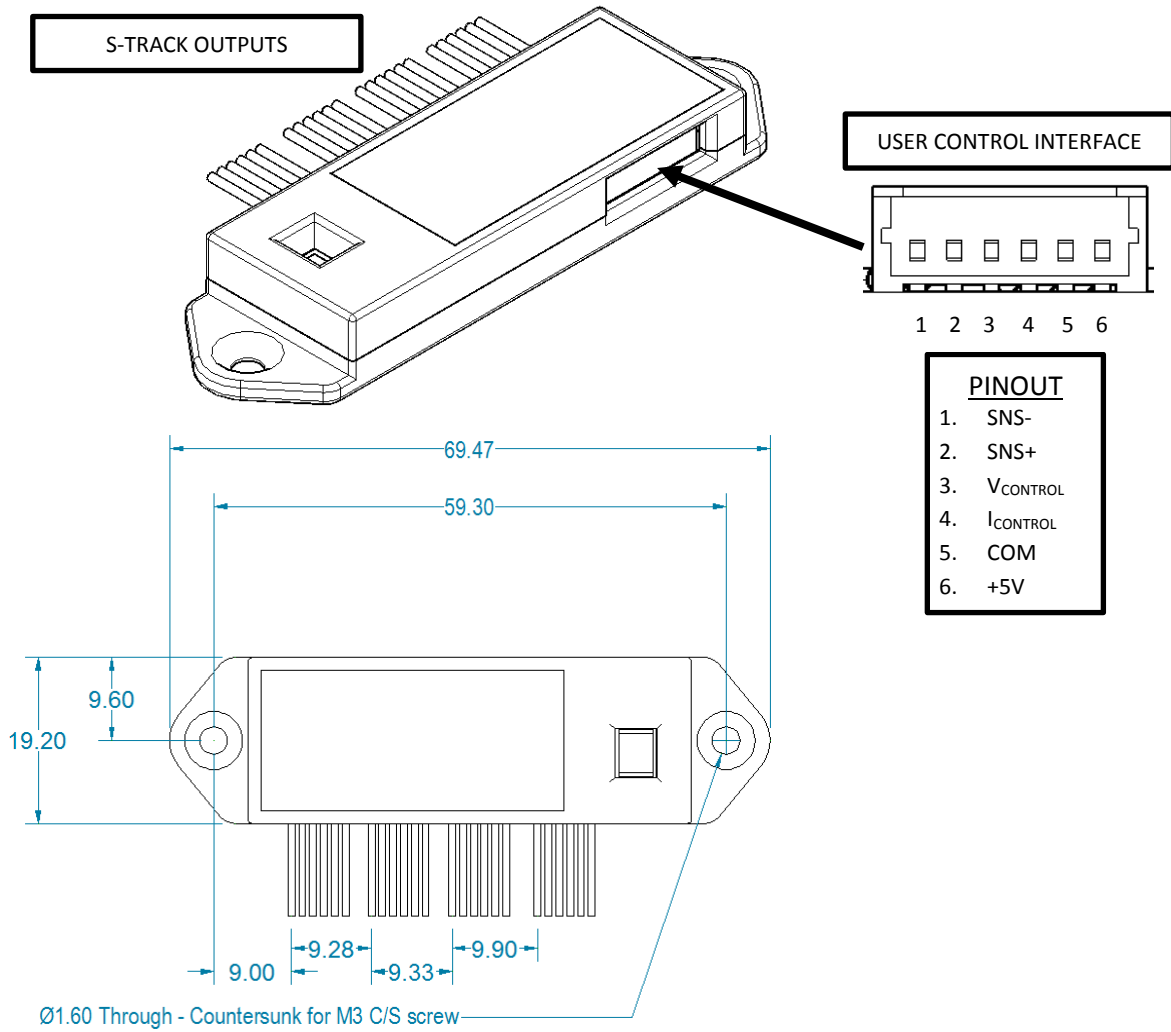
Switch setting (1=ON, 0=OFF)		O/P's
1	2	
1	0	2
1	1	2
0	1	3
0	0	4

Note: Only modules of the same type should be connected in series and normal grounding precautions as described in the user manual should be observed. Incorrect grounding may result in damage to the unit. The S-Track Interface is not isolated and is referenced to the COM pin on J5 of the bottom module.

Contact Vox Power for further assistance if necessary.

Ordering information – P/N: S - Track Interface

MECHANICAL DIMENSIONS



All specifications are believed to be correct at time of publishing. Vox Power Ltd reserves the right to make changes to any of its products and to change or improve any part of the specification, electrical or mechanical design or manufacturing process without notice. Vox Power Ltd does not assume any liability arising out of the use or application of any of its products and of any information to the maximum extent permitted by law. No license, express or implied, by estoppel or otherwise, to any intellectual property rights is granted by this document or by any products of Vox Power Ltd. VOX POWER LTD DISCLAIMS ALL WARRANTIES AND REPRESENTATIONS OF ANY KIND WHETHER EXPRESS OR IMPLIED, INCLUDING, BUT NOT LIMITED TO, IMPLIED WARRANTIES OF SUITABILITY, FITNESS FOR PURPOSE, MERCHANTABILITY AND NON-INFRINGEMENT.

Please consult your local distributor or Vox Power directly to ensure that you have the latest revision before using the product and refer to the latest relevant user manual for further information relating to the use of the product. Vox Power Ltd products are not intended for use in connection with life support systems, human implantations, nuclear facilities or systems, aircraft, spacecraft, military or naval missile, ground support or control equipment used for the purpose of guidance navigation or direction of any aircraft, spacecraft or military or naval missile or any other application where product failure could lead to loss of life or catastrophic property damage. The user will hold Vox Power Ltd harmless from any loss, cost or damage resulting from its breach of these provisions.