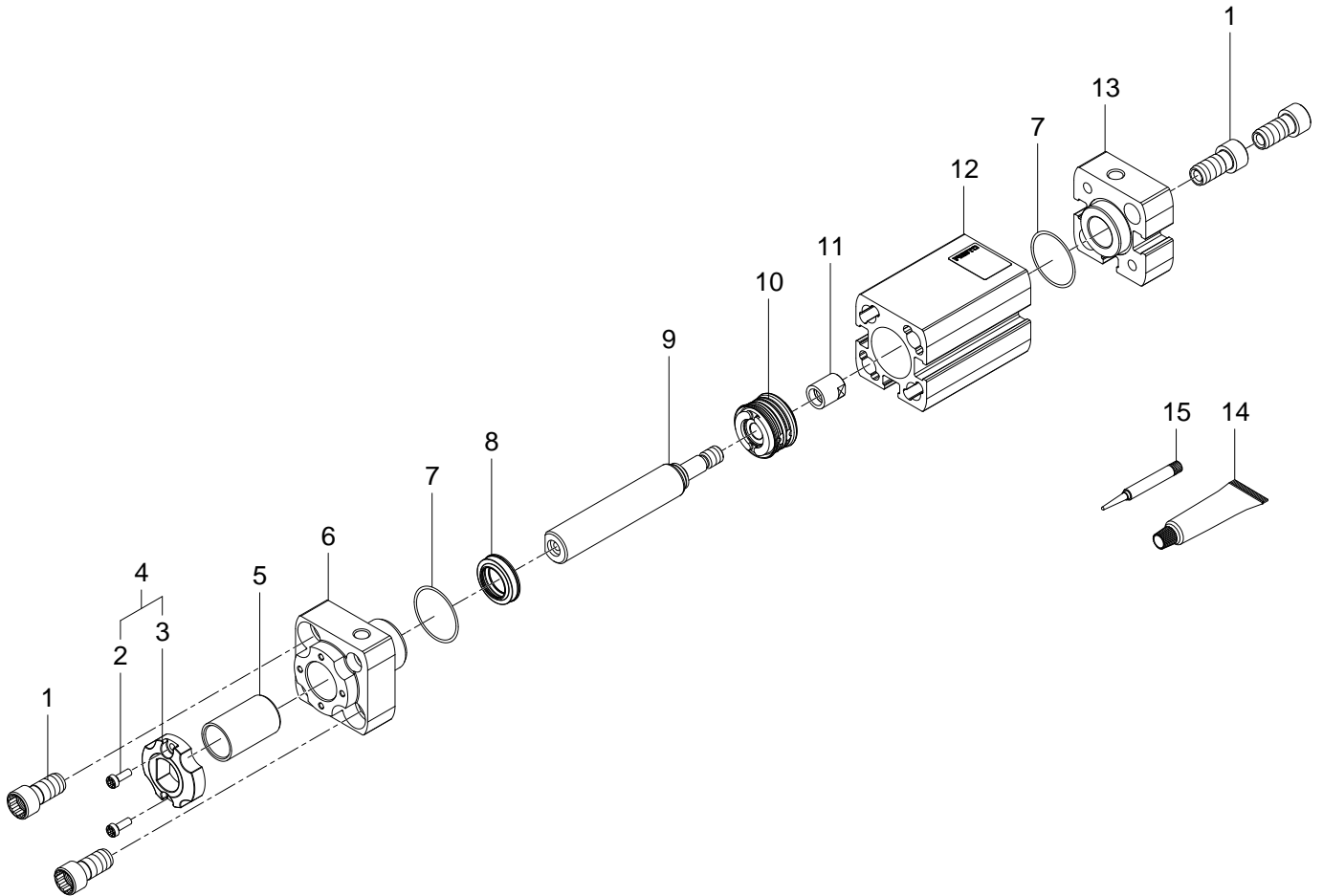


576090 DFSP-Q-20-10-DF-PA Stopper cylinder - Series: All



576090 DFSP-Q-20-10-DF-PA Stopper cylinder - Series: All

Pos.	Part no.	Type	Note	Qty.	Unit
A	8005116	DFSP-...-20 Set of wearing parts	Spare parts: 7, 8, 10, 14, 15	1	PC
1	658855	ADN-20/25 flange screw	Tightening torque 9 Nm / 6.6 lbf ft	4	PC
2		ISO 14580-M2,5X6-A2-50 Socket head screw	Not available separately, see position 4 Use locking compound Loctite-243	2	PC
3		DFSP-Q-20 Ring	Not available separately, see position 4	1	PC
4	8005113	DFSP-Q-20 ET Ring		1	PC
5		XSM-1214-25 Plain bearing	Not available Grease using during assembly. See position 14	1	PC
6		DFSP-Q-20 Bearing cap module	Not available	1	PC
7		B-20X0,7-N-NBR75 O-ring ISO3601	Not available separately, see position A Grease using during assembly. See position 14	2	PC
8	8185482	WIFC1-12X16,5X4-TPE-U Wiper seal	Grease using during assembly. See position 14	1	PC
9		IRA-12-X0041,7-S Piston rod	Not available Use locking compound. See position 15	1	PC
10		BA-K10D-020-A Complete piston	Not available separately, see position A Grease using during assembly. See position 14	1	PC
11		DSNU-20 Nut	Not available Tightening torque 2.7 Nm / 2.0 lbf ft	1	PC
12		DFSP-20-X Cylinder barrel	Not available Grease using during assembly. See position 14	1	PC
13		DFSP-20 End cap	Not available	1	PC
14	684474	LUB-KC1 SILIKONFREI 20ML Lubricating grease		1	PC
15	8181256	CYBERBOND TM44 TB1ML Adhesive bonding agent		1	PC