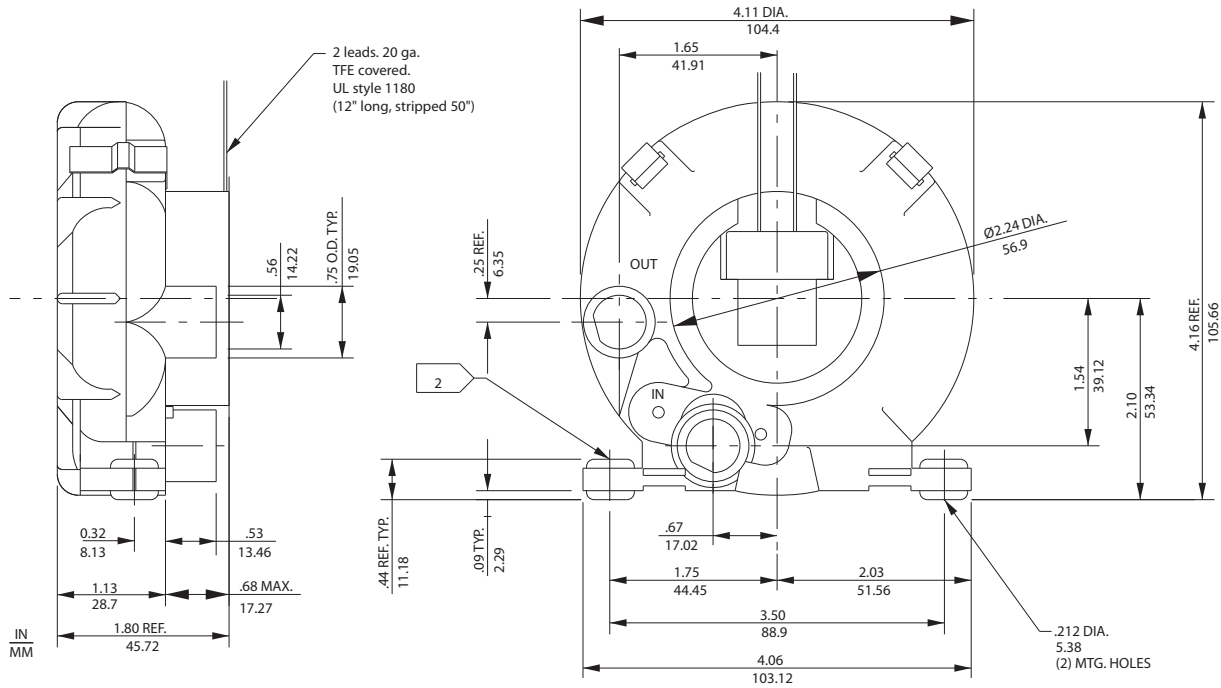


Variable Flow Regenerative Blower



- NOTES
 1 DRAWING NOT TO SCALE, CONTACT FACTORY FOR SCALE CAD DRAWING.
 2 CONTACT FACTORY FOR BLOWER MODEL LENGTHS NOT SHOWN.

		Part/Model Number	
		SE12V21 037433	SE24V21 037434
Specification	Units		
Voltage Range	VDC	9-15	24-32
RPM	RPM	3600-6000	5500-6800
Insulation Class	-	B	B
Full - Load Amps	Amps (A)	0.50-1.0	0.6-0.9
Weight	Lbs	0.86	0.86
	Kg	0.4	0.4

WARNING- ONMDCMODELEXCEEDING0AMP MAY DAMAGECIRCUITBOARD

This document is for informational purposes only and should not be considered as a binding description of the products or their performance in all applications. The performance data on this page depicts typical performance under controlled laboratory conditions. AMETEK is not responsible for blowers driven beyond factory specified speed, temperature, pressure, flow or without proper alignment. Actual performance will vary depending on the operating environment and application. AMETEK products are not designed for and should not be used in medical life support applications. AMETEK reserves the right to revise its products without notification. The above characteristics represent standard products. For product designed to meet specific applications, contact AMETEK Technical & Industrial Products Sales department.

AMETEK DYNAMIC FLUID SOLUTIONS
 75 North Street, Saugerties, NY 12477
 USA: +1 215-256-6601 - Europe: +49 7703 930909 - Asia: +86 21 5763 1258
 Customer Service Fax: +1 215.256.1338
 www.ametekdfs.com

Application Specific Blowers

Minispiral MDC

Variable Flow Regenerative Blower

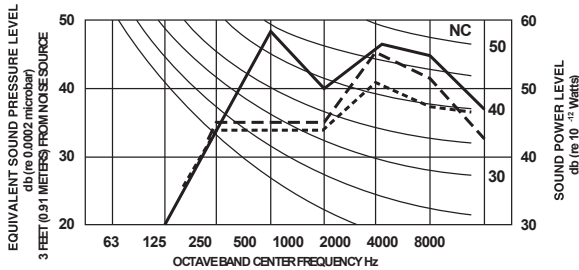
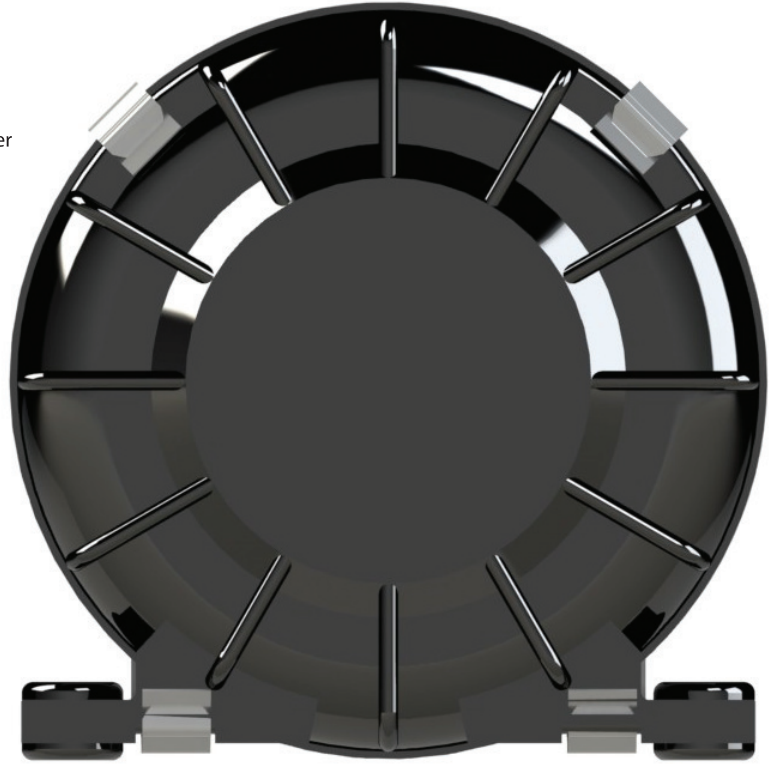
ROTRON®

FEATURES

- Manufactured in the USA - ISO 9001 and NAFTA compliant
- Maximum flow: 5.8/7.3 SCFM (15/32 volts)
- Maximum pressure: 7.0/10.3 IWG (15/32 volts)
- Maximum vacuum: 7.0/10.3 IWG (15/32 volts)
- Maximum ambient: 40°C
- Glass filled molded phenolic and aluminum blower housing, phenolic cover & impeller
- Shaded pole motor with ball bearings
- Maximum quiet operation to NC-47 (office equipment specification)
- B10 bearing life: 20,000 - 30,000 hours
- Weight: 0.86 lbs (0.39 kg)
- Envelope size: 4.18 x 1.83 inches (106.2 x 46.5 mm)

OPTIONS

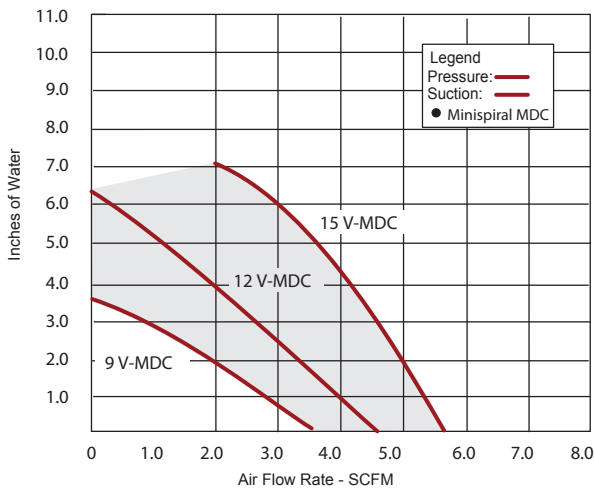
- International and application specific voltages
- Sealed blowers for contamination control
- Electronic speed control



Blower Performance at Standard Conditions

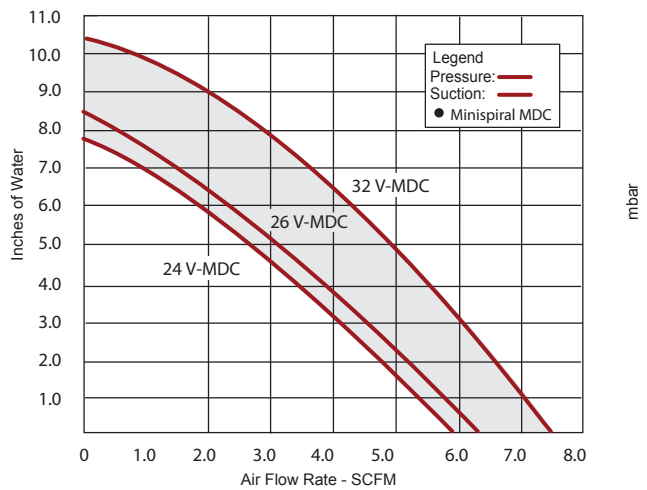
12 V-MDC

Air Flow Rate - m³/hour



24 V-MDC

Air Flow Rate - m³/hour



This document is for informational purposes only and should not be considered as a binding description of the products or their performance in all applications. The performance data on this page depicts typical performance under controlled laboratory conditions. AMETEK is not responsible for blowers driven beyond factory specified speed, temperature, pressure, flow or without proper alignment. Actual performance will vary depending on the operating environment and application. AMETEK products are not designed for and should not be used in medical life support applications. AMETEK reserves the right to revise its products without notification. The above characteristics represent standard products. For product designed to meet specific applications, contact AMETEK Technical & Industrial Products Sales department.

AMETEK DYNAMIC FLUID SOLUTIONS
 75 North Street, Saugerties, NY 12477
 USA: +1 215-256-6601 - Europe: +49 7703 930909 - Asia: +86 21 5763 1258
 Customer Service Fax: +1 215.256.1338
 www.ametekdfs.com