

Datasheet

Isolation Transformers - Standard Range

RS Pro

Single phase transformers with screw connectors for multiple input and brackets for screw fixation. Designed according to the following specifications.

- High quality safety and isolating transformers designed for use in control circuits and general applications.
- Low loss/noise laminations.
- Dual standard primary winding 230/400V ac with +15V tap for input flexibility. Earth terminal provided.
- Dual secondary windings centre tapped.
- Varnish impregnated.
- Fully shrouded screw terminals with voltage markings at label.
- Detailed product specification on permanent label.
- High efficiency, low regulation design.
- Designed and manufactured to conform to BS EN 61558-1
- 100% electrical and flash tested.

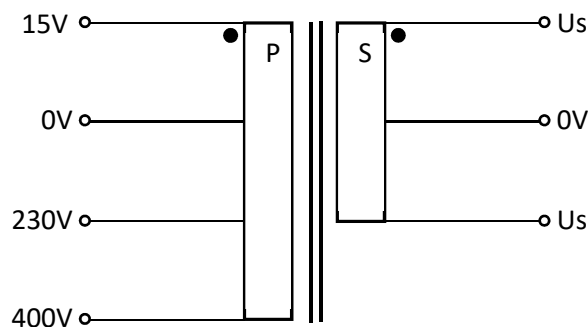


Specifications

Input:	+15-0-230-400V / 50 - 60Hz
Construction:	Class I
Insulation:	Class B / 130°C
Flash test:	4.6kV prim./sec. 2kV sec./core
Temperature:	35°C ambient, 85°C full load rise
Open Circuit Voltage According to:	+/-5% tolerance EN61558-1 and EN61558-2-6 or EN61558-2-4



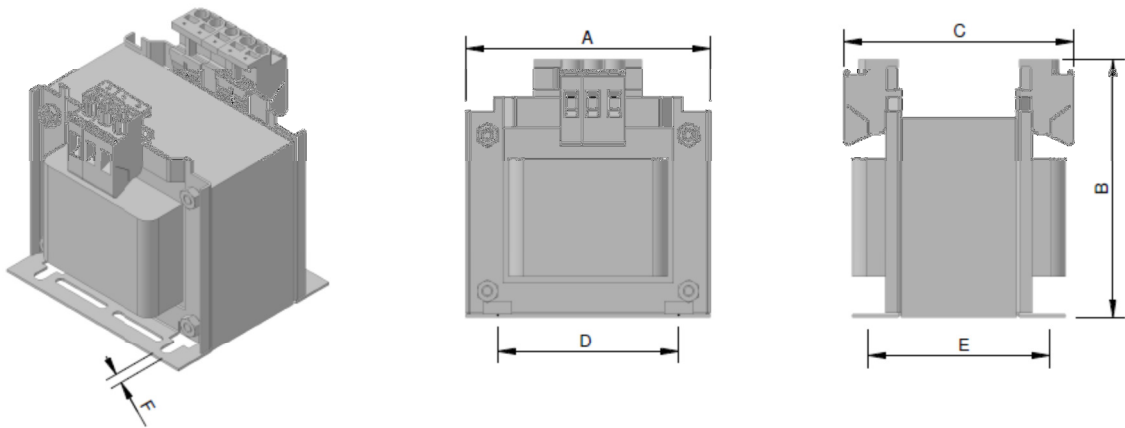
Schematic:



Ordering details:

RS Stock number	Power VA	Specification	No-load voltage	According to
504290	50	Isolating Transformers + 15 – 0 – 230 - 400V / 12 – 0 - 12V	13.1	EN61558-2-6
504313	50	Isolating Transformers + 15 – 0 – 230 - 400V / 24 – 0 – 24V	25.8	EN61558-2-4
504296	50	Isolating Transformers + 15 – 0 – 230 - 400V / 55 – 0 - 55V	59	EN61558-2-4
504307	50	Isolating Transformers + 15 – 0 – 230 - 400V / 0 - 230V	243.2	EN61558-2-4
504303	100	Isolating Transformers + 15 – 0 – 230 – 400V / 12 – 0 – 12V	12.8	EN61558-2-6
504151	100	Isolating Transformers + 15 – 0 – 230 – 400V / 24 – 0 – 24V	25.6	EN61558-2-4
504161	100	Isolating Transformers + 15 – 0 – 230 - 400V / 55 – 0 - 55V	59	EN61558-2-4
504167	100	Isolating Transformers + 15 – 0 – 230 - 400V / 0 - 230V	244	EN61558-2-4
504177	150	Isolating Transformers + 15 – 0 – 230 - 400V / 12 – 0 - 12V	12.7	EN61558-2-4
504155	150	Isolating Transformers + 15 – 0 – 230 - 400V / 55 – 0 - 55V	58.1	EN61558-2-4
504173	200	Isolating Transformers + 15 – 0 – 230 - 400V / 12 – 0 - 12V	12.6	EN61558-2-6
504123	200	Isolating Transformers + 15 – 0 – 230 - 400V / 24 – 0 - 24V	25.3	EN61558-2-4
504133	200	Isolating Transformers + 15 – 0 – 230 - 400V / 55 – 0 - 55V	57	EN61558-2-4
504139	200	Isolating Transformers + 15 – 0 – 230 - 400V / 0 - 230V	239	EN61558-2-4
504149	300	Isolating Transformers + 15 – 0 – 230 - 400V / 12 – 0 - 12V	12.6	EN61558-2-6
504145	300	Isolating Transformers + 15 – 0 – 230 - 400V / 24 -0 - 24V	25.3	EN61558-2-4
504212	300	Isolating Transformers + 15 – 0 – 230 - 400V / 55 – 0 - 55V	57	EN61558-2-4
504218	500	Isolating Transformers + 15 – 0 – 230 - 400V / 55 – 0 - 55V	56.3	EN61558-2-4
504228	500	Isolating Transformers + 15 – 0 – 230 - 400V / 0 - 230V	238.4	EN61558-2-4
504224	1000	Isolating Transformers + 15 – 0 – 230 - 400V / 55 – 0 - 55V	56.1	EN61558-2-4
504234	1000	Isolating Transformers + 15 – 0 – 230 - 400V / 0 – 230V	235.3	EN61558-2-4

Dimensions:



Power	Overall Size	Fixing	Fixing	Weight
[VA]	A x B x C [mm]	D x E [mm]	F [mm]	[kg]
50	84 x 91 x 84	64 x 64	4.5	1.9
100	84 x 91 x 97	64 x 72	4.5	2.5
150	108 x 110 x 90	84 x 72	6.5	3.5
200	108 x 110 x 114	84 x 92	6.5	5
300	120 x 130 x 143	90 x 106	6.5	6.9
500	120 x 130 x 143	90 x 106	6.5	7.5
1000	150 x 155 x 175	122 x 132	7	14.6