



### Main

Range of product	Harmony XVR
Product or component type	Beacon
Device short name	XVR3
Beacon or indicator bank unit type	LED unit
Sound signalling	Buzzer : 70...90 dB at 1 m
Mounting diameter	100 mm
Light source	Green LED
Device application	Forklift Bulldozer Automated guided vehicle (AGV)

### Complementary

Signalling type	Flashing Blinking Rotating
Assembly style	Ready assembled
Material	PC (polycarbonate) (lenses) PBT (polybutylene terephthalate) + PC (polycarbonate) (body) EPDM (ethylene propylene diene monomer) (base)
[Us] rated supply voltage	12...24 V DC
[Ue] rated operational voltage	10...30 V DC
Inrush current	3 A
Power consumption	3.1 W
Marking	CE
Installation direction	Upright (indoor) Sideways (indoor) Inverted (indoor) Upright (outdoor)
Electrical insulation class	Class II
Current consumption	3000 mA
Length	100 mm
Width	100 mm
Height	139 mm
Product weight	0.538 kg

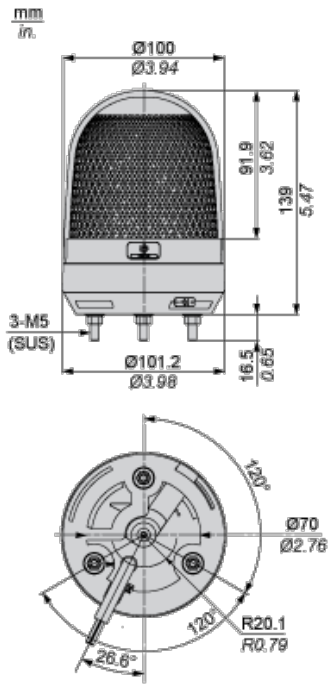
### Environment

ambient air temperature for operation	-20...50 °C
ambient air temperature for storage	-35...70 °C
relative humidity	35...85 % without condensation
vibration resistance	4.6 gn (sideways) 4.6 gn (inverted) 7.1 gn (upright)
IP degree of protection	IP23 (sideways) IP23 (inverted) IP23 (upright)

### Contractual warranty

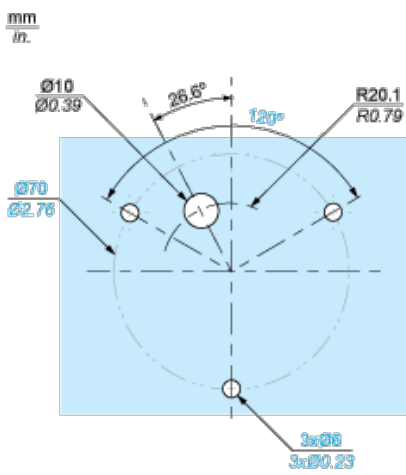
Warranty period	18 months
-----------------	-----------

## Dimensions

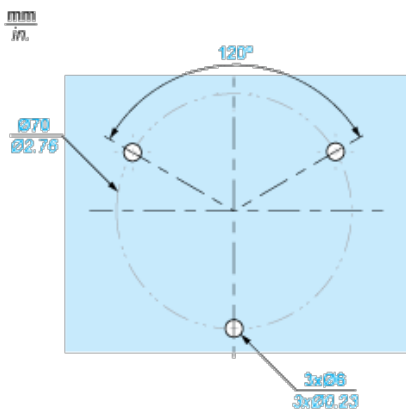


## Panel Cut-out

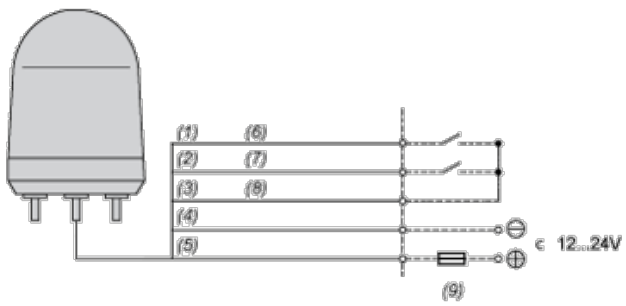
### Straight wiring



### Side wiring



## Wiring Diagram



- (1) Green
- (2) Red
- (3) Yellow
- (4) Black
- (5) White
- (6) LED
- (7) Buzzer
- (8) Com
- (9) Fuse(Rated Current>2A)