

EcoShape tubular framing system



- ▶ All connectors can be combined with the EcoShape round tubes D28L and D28L, N10, and the D28 round tube
- ▶ Integrated poka-yoke system for easy and secure connector installation
 - Anti-torsion element for secure joints
 - Positive interlocking connection

- ▶ All connectors are suitable for setting up ESD-conductive systems.

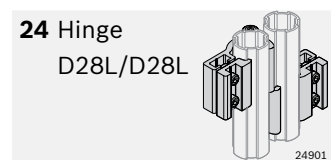
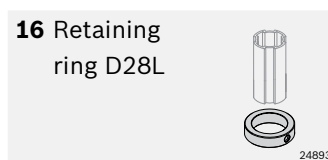
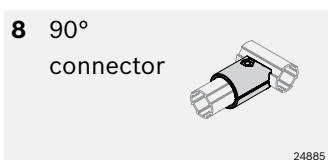
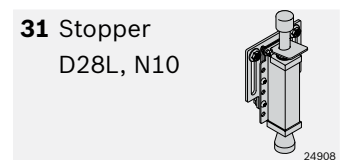
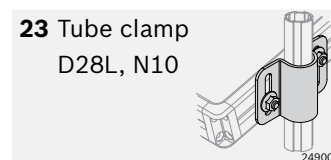
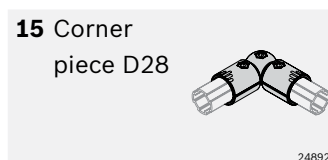
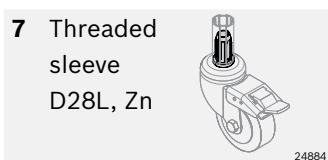
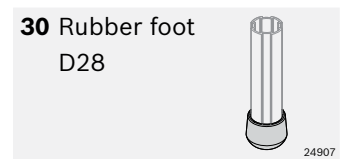
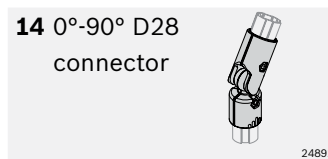
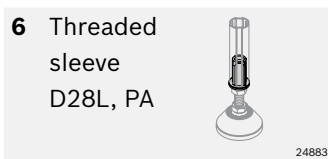
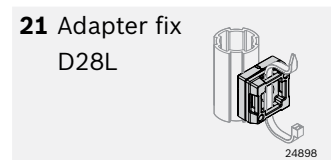
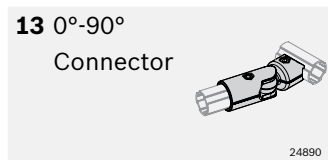
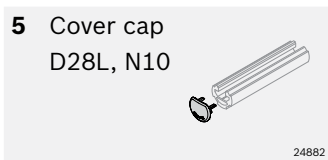
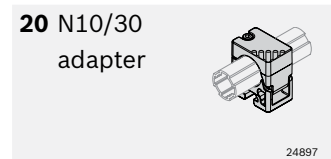
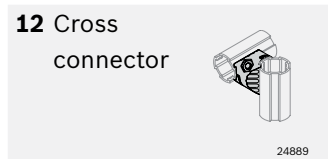
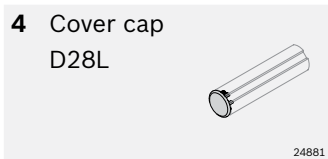
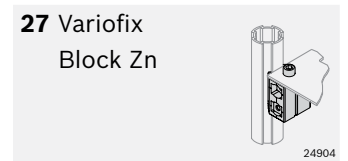
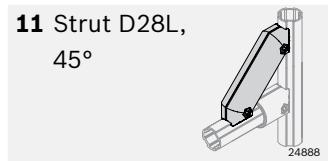
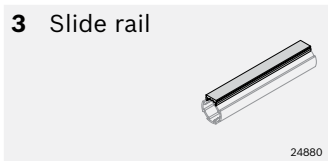
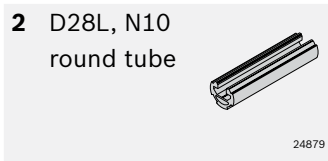
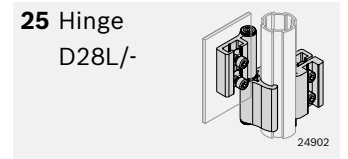
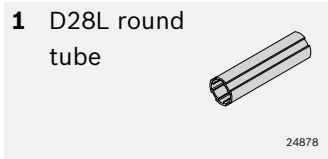
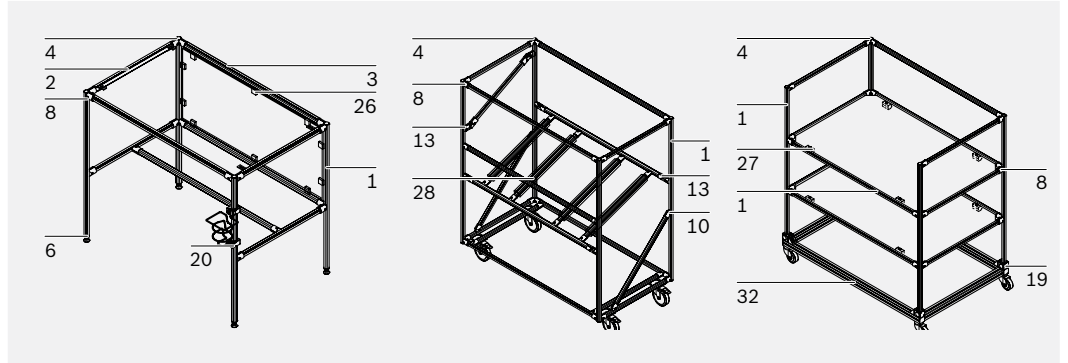
Material: diecast zinc

Scope of delivery: Incl. fastening material



31 components – a myriad of options

The EcoShape system is characterized by its consistent simplicity and efficiency: using just a few components, you can build complete assembly lines as well as simple transport shuttles.



1

$A = 1,8 \text{ cm}^2$
 $I_x = 1,3 \text{ cm}^4$
 $I_y = 1,3 \text{ cm}^4$
 $W_x = 1,0 \text{ cm}^3$
 $W_y = 1,0 \text{ cm}^3$
 $m = 0,5 \text{ kg/m}$

00134985

- ▶ Round tube D28L with 4 interfaces for attaching EcoShape connectors

Round tube D28L		L (mm)	No.
1 pcs		50 ... 5600	3 842 996 191/L
	50 pcs	5600	3 842 541 211

Material: aluminum, anodized

2

$A = 2,6 \text{ cm}^2$
 $I_x = 1,2 \text{ cm}^4$
 $I_y = 2,0 \text{ cm}^4$
 $W_x = 0,8 \text{ cm}^3$
 $W_y = 1,4 \text{ cm}^3$
 $m = 0,7 \text{ kg/m}$

00134986

- ▶ Round tube D28L, N10 with 10 mm slot for mounting accessories from the modular aluminum framing system
- ▶ 3 interfaces for attaching EcoShape connectors

Round tube D28L, N10		L (mm)	No.
1 pcs		50 ... 5600	3 842 996 192/L
	20 pcs	5600	3 842 541 213

Material: aluminum, anodized

3

00134987

- ▶ Slide rail for creating a simple conveyor track or manual slide section by clipping the slide rail onto the round tube D28L or D28L, N10

Slide rail	L (mm)	ESD		No.
	2000	10		3 842 541 196
	2000		10	3 842 548 117

Material: PVC; gray
ESD: PVC (conductive); black

4

24132

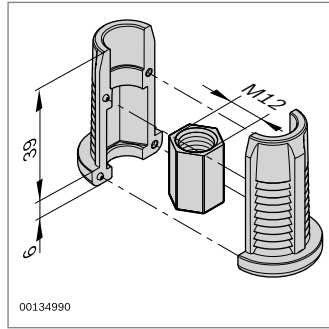
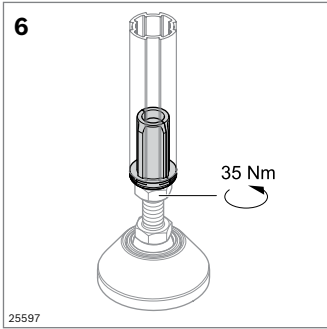
5

24133

- ▶ Cover cap for D28L and D28L round tube, N10

Cover cap	ESD		No.
4 D28L		20	3 842 548 129
5 D28L, N10		20	3 842 548 130

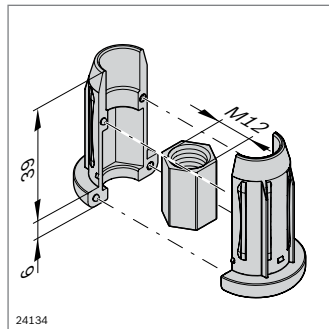
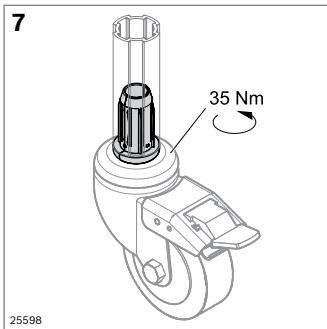
Material: PA66 (conductive); black



► Threaded sleeve for incorporating a leveling foot or caster. For further information (see p. 6-7)

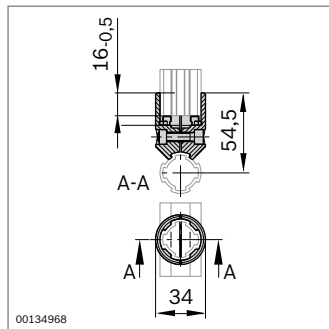
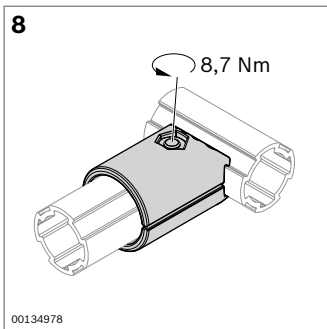
Threaded sleeve D28L; PA	ESD	No.
	20	3 842 541 185

Material: PA66 (conductive); black
Hexagon nut: aluminum



Threaded sleeve D28L, Zn	ESD	No.
	20	3 842 548 119

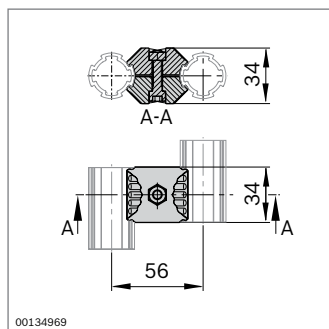
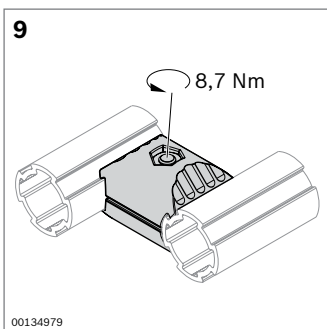
Material: diecast zinc
Hexagon nut: aluminum



90° connector	ESD	No.	FS
	20	3 842 541 173	FS1

Material: diecast zinc
Scope of delivery: incl. fastening material (FS)

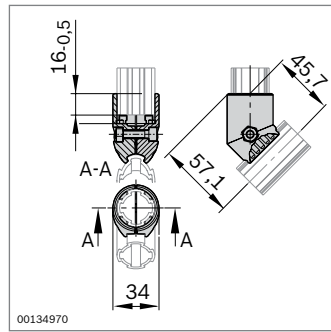
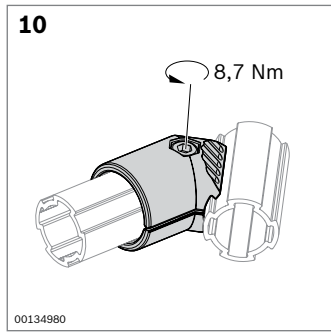
FS1
ISO 4762
M6x25
DIN EN
ISO 10511
M6



Parallel connector	ESD	No.	FS
	20	3 842 541 183	FS1

Material: diecast zinc
Scope of delivery: incl. fastening material (FS)

FS1
ISO 4762
M6x25
DIN EN
ISO 10511
M6

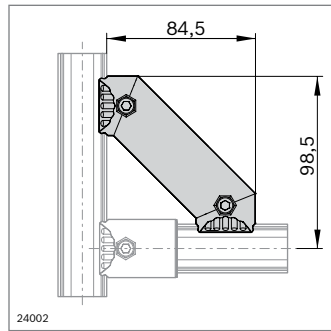
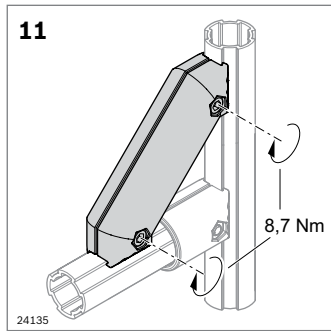


45° connector	ESD	No.	FS
		20	3 842 541 175 FS1

Material: diecast zinc
 Scope of delivery: incl. fastening material (FS)

FS1

	ISO 4762
	M6x25
	DIN EN
	ISO 10511
	M6

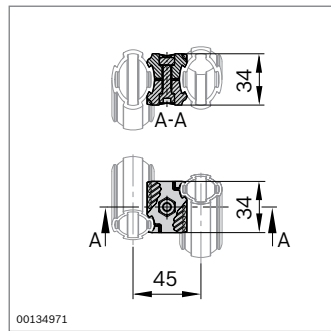
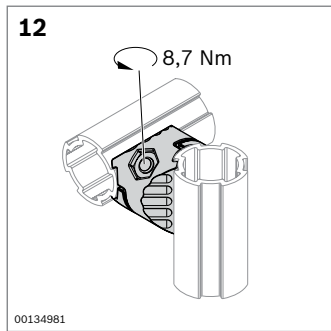


Strut D28L, 45°	ESD	No.	FS
		20	3 842 548 118 2xFS1

Material: diecast zinc
 Scope of delivery: incl. fastening material (FS)

FS1

	ISO 4762
	M6x25
	DIN EN
	ISO 10511
	M6

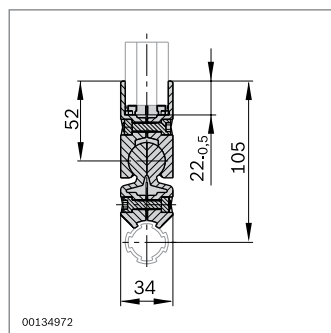
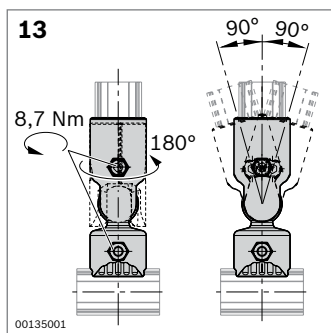


Cross connector	ESD	No.	FS
		20	3 842 541 181 FS1

Material: diecast zinc
 Scope of delivery: incl. fastening material (FS)

FS1

	ISO 4762
	M6x25
	DIN EN
	ISO 10511
	M6

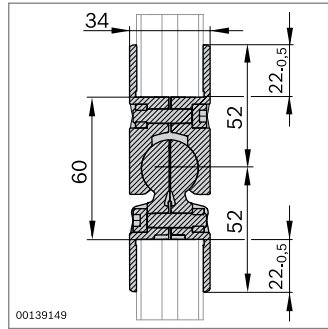
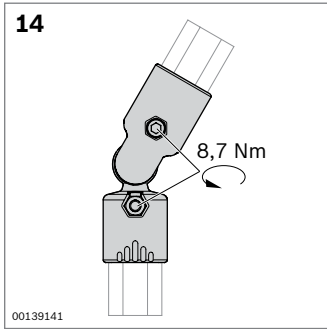


0°-90° connector	ESD	No.	FS
		20	3 842 541 178 2xFS1

Material: diecast zinc
 Scope of delivery: incl. fastening material (FS)

FS1

	ISO 4762
	M6x25
	DIN EN
	ISO 10511
	M6

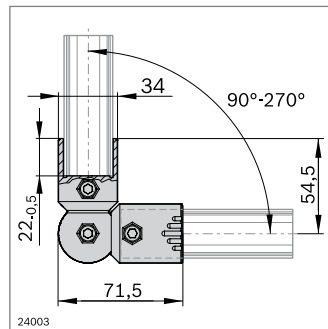
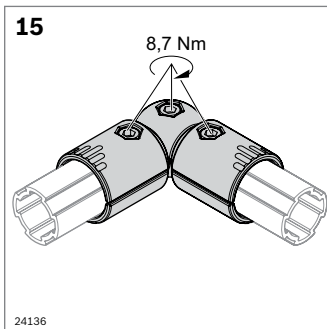


0°-90° D28 connector	ESD	No.	FS
	20	3 842 543 480	2xFS1

Material: diecast zinc
 Scope of delivery: incl. fastening material (FS)

FS1

ISO 4762	M6x25
DIN EN	ISO 10511
M6	



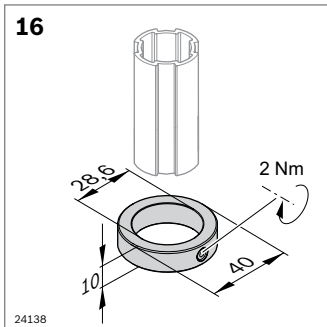
- ▶ Corner bracket D28 for easy adjustment within a 15° range
- ▶ Swivel range: 90°-270°

Corner piece D28	ESD	No.	FS
	20	3 842 548 123	3xFS1

Material: diecast zinc
 Scope of delivery: incl. fastening material (FS)

FS1

ISO 4762	M6x25
DIN EN	ISO 10511
M6	

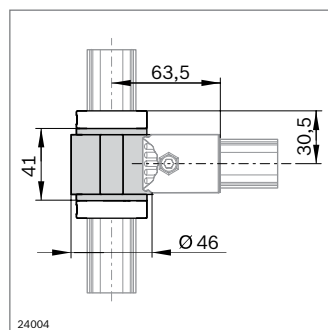
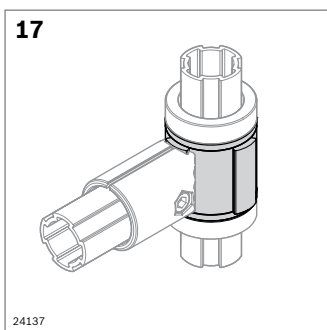


Retaining ring D28L	ESD	No.	FS
	20	3 842 548 122	FS2

Material: aluminum
 Scope of delivery: incl. fastening material (FS)

FS2

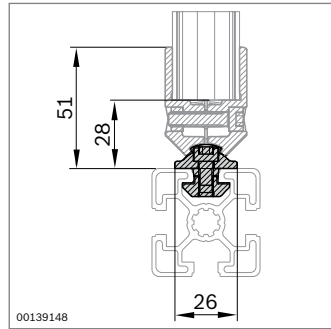
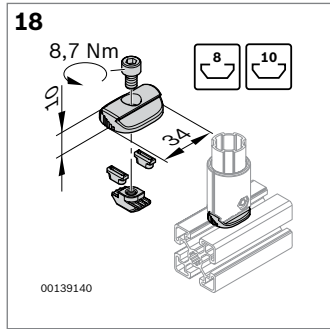
ISO 4026	M6x6
----------	------



- ▶ For axial shifting along the D28L or D28L, N10 round tube; the retaining ring defines the end position.
- ▶ Construction of swiveling applications

Swivel bearing D28L	No.
20	3 842 548 121

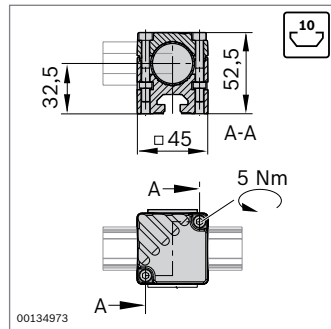
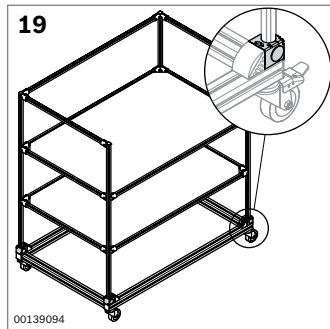
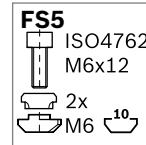
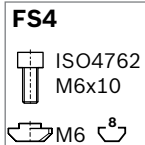
Material: aluminum,
 Socket: POM; black



- ▶ N8, N10 adapter for connecting an MGE strut profile (8 mm, 10 mm slots)

N8, N10 adapter	ESD	No.	FS
	20	3 842 543 272	FS4, FS5

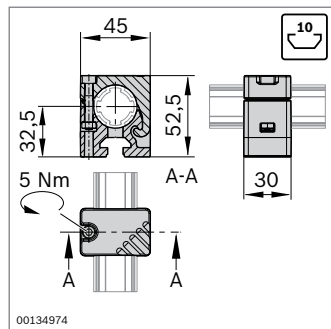
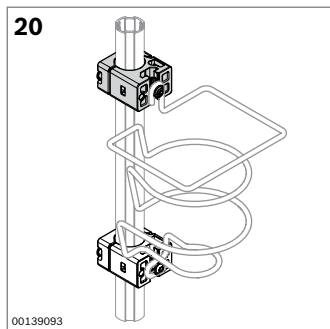
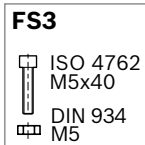
Material: diecast zinc
 Scope of delivery: incl. fastening material (FS)



- ▶ N10/45 adapter for connecting D28L or D28L, N10 round tubes to profiles with a 10 mm slot

N10/45 adapter	ESD	No.	FS
	20	3 842 541 187	2xFS3

Material: Adapter: Diecast zinc
 Cap: PE
 Scope of delivery: incl. cover cap, fastening material (FS)



- ▶ N10/30 adapter for fastening light accessories such as a bottle holder to the D28L round tube

N10/30 adapter	ESD	No.	FS
	20	3 842 541 190	FS6

Material: diecast zinc
 Scope of delivery: incl. fastening material (FS)

