



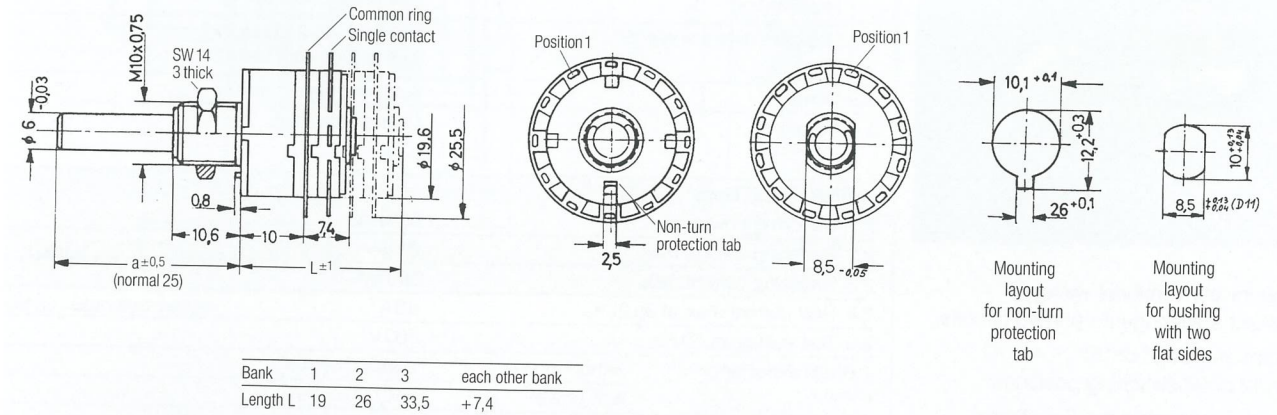
Rotary switch with 1 to 10 banks.

- Multi-bank switch for conventional wiring.
- 1 to 6 circuits per bank. Detent angle 30° or 60°.
- Shorting or non-short mode of switching.
- Special version watertight against front panel.
- Enlarged distance banks possible.
- Available with concentric shaft for extension by a second switch or a potentiometer.

1.0 Construction		
1.1 Number of banks max.	10 banks	
1.2 Switching combinations per bank	Design B, detent angle 60°	
	Design E, detent angle 30°	
1.3 Contacts	Soldering lugs	
1.4 Mounting	Central mounting	
2.0 Electrical Data		
	Ag-version	AuNi-version
2.1 Switching power max.	15 VA/W	10 VA/W
2.2 Switching voltage max.	125 V-	60 V-
2.3 Switching current max.	0,5 A	0,25 A
2.4 Rest current max. at 20°C	2 A	2 A
2.5 Test voltage at 50 Hz	between contacts	1000 V
	Contact / ground	1300 V
2.6 Life expectancy without electrical load	≥ 25000 cycles	≥ 25000 cycles
2.7 Contact resistance initial value	< 6 mΩ	< 10 mΩ
2.8 Insulation resistance	10 ¹¹ Ω	10 ¹¹ Ω
2.9 Capacity between 2 contacts	~1 pF	~1 pF
3.0 Mechanical Data		
3.1 Switching mode	Shorting or non-shorting	
3.2 Stops	Fixed or without stop	
3.3 Operating torque acc. to design	≥ 6 Ncm	
3.4 Stop strength	≥ 125 Ncm	
3.5 Fastening torque max.	≥ 350 Ncm	
3.6 Dust protection	Banks sealed	
4.0 Other Data		
4.1 Contact material	Ag or AuNi	
4.2 Insulating material	Bank	Diallylphthalate, DAP; Code DI
	Rotor	Polycarbonate, PC
4.3 Soldering time and temperature max.	5 s at 260°C	
	3 s at 350°C, handsoldering	

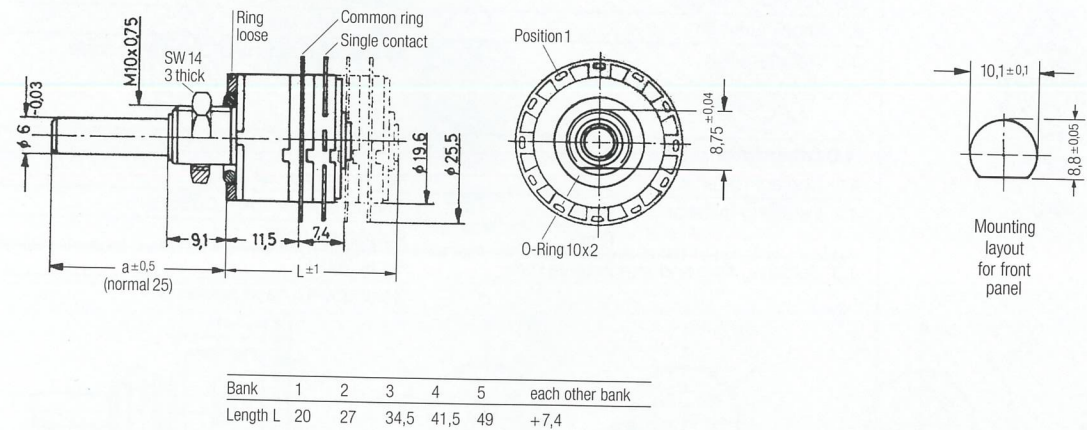
The bold-typed data in the yellow order blocks have to remain unchanged.
Normal-typed data match the drawings and can be modified according to your wishes.
Blanks need to be completed according to the ordering details on the inside front cover.

Dimensional Drawings · Dimensions in mm



GX - 1 - 2 - 3 - 25⁴ - A⁵ - 6 - 7 - DI⁸ - 9 - 10 - L¹¹

GX · Standard version



GX - 1 - 2 - 3 - 25⁴ - A⁵ - 6 - 7 - DI⁸ - 9 - 10 - L¹¹ - WD¹³

GX · Watertight version