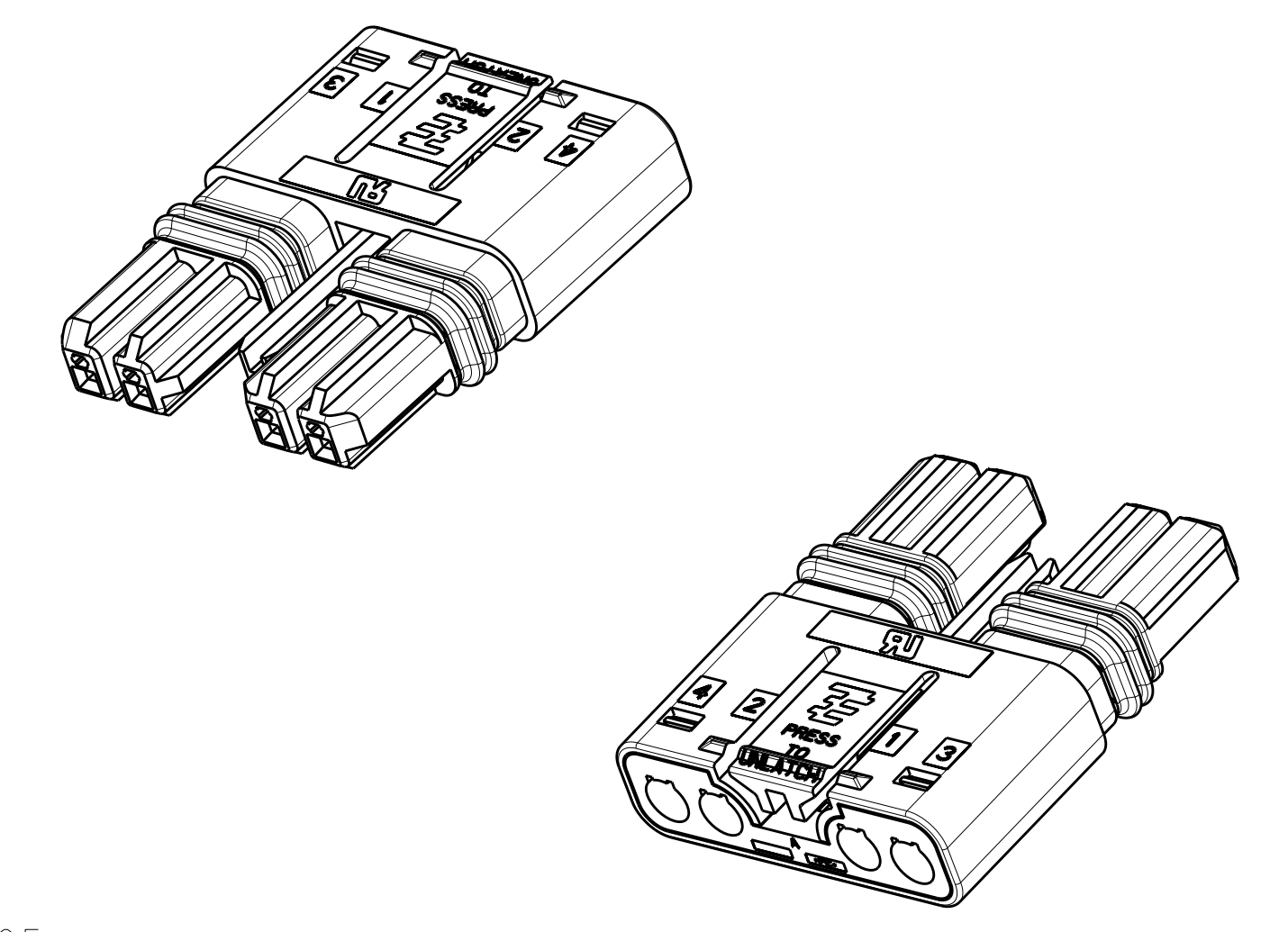
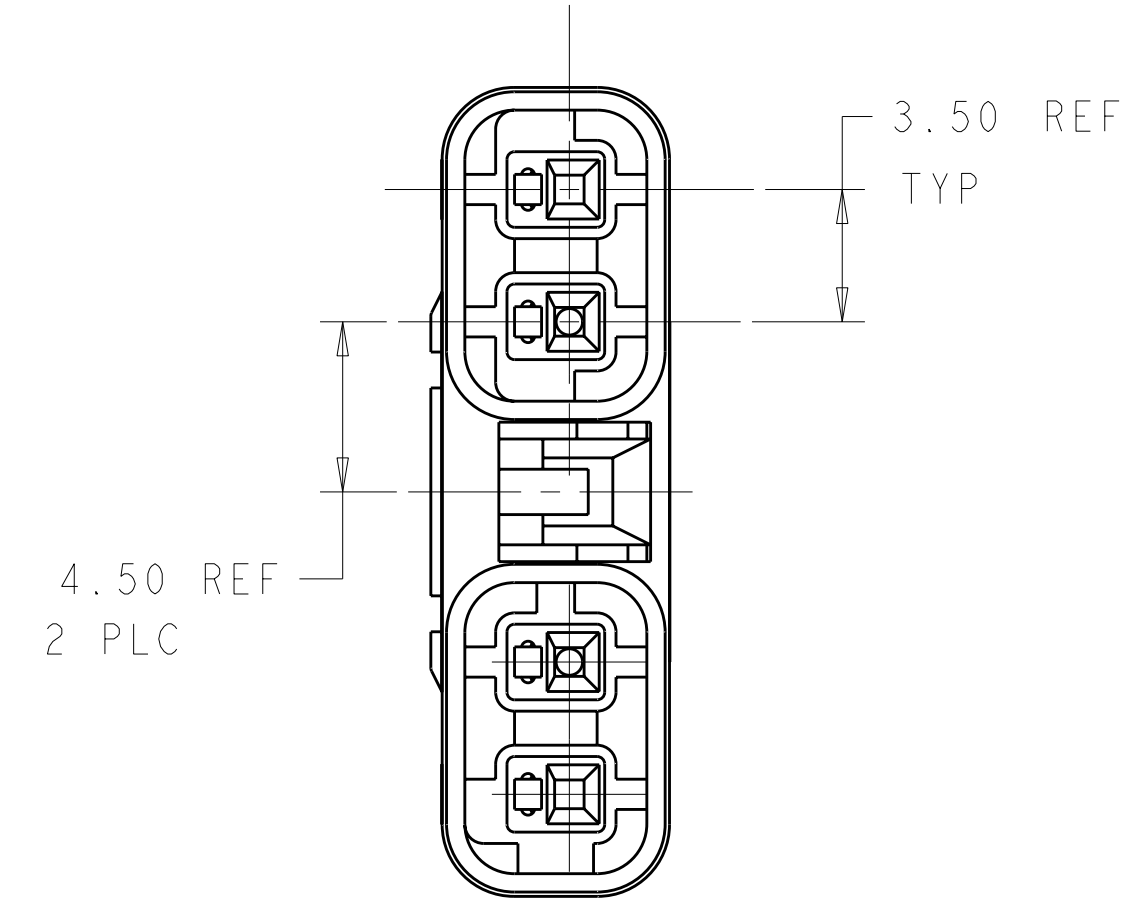
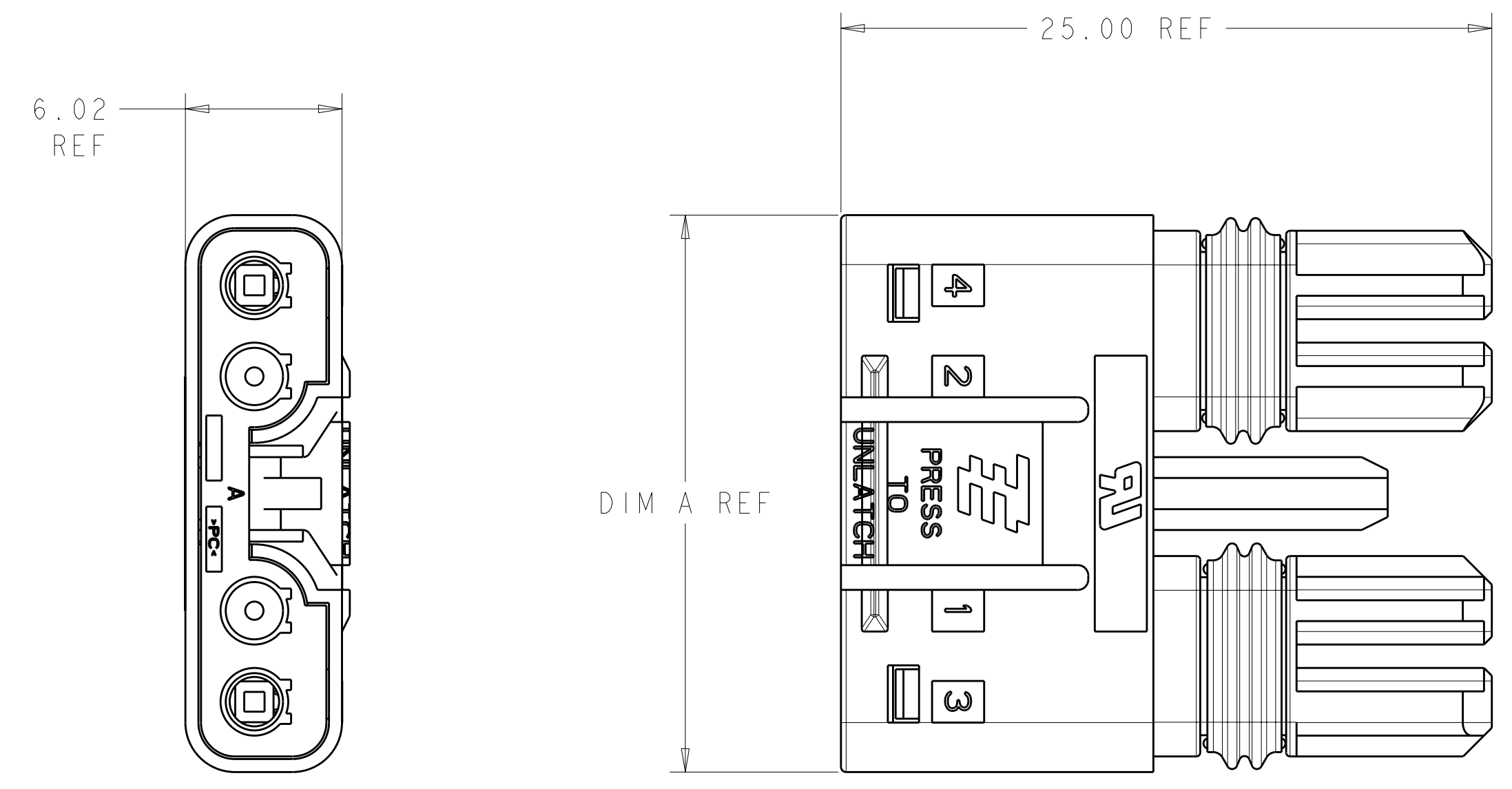
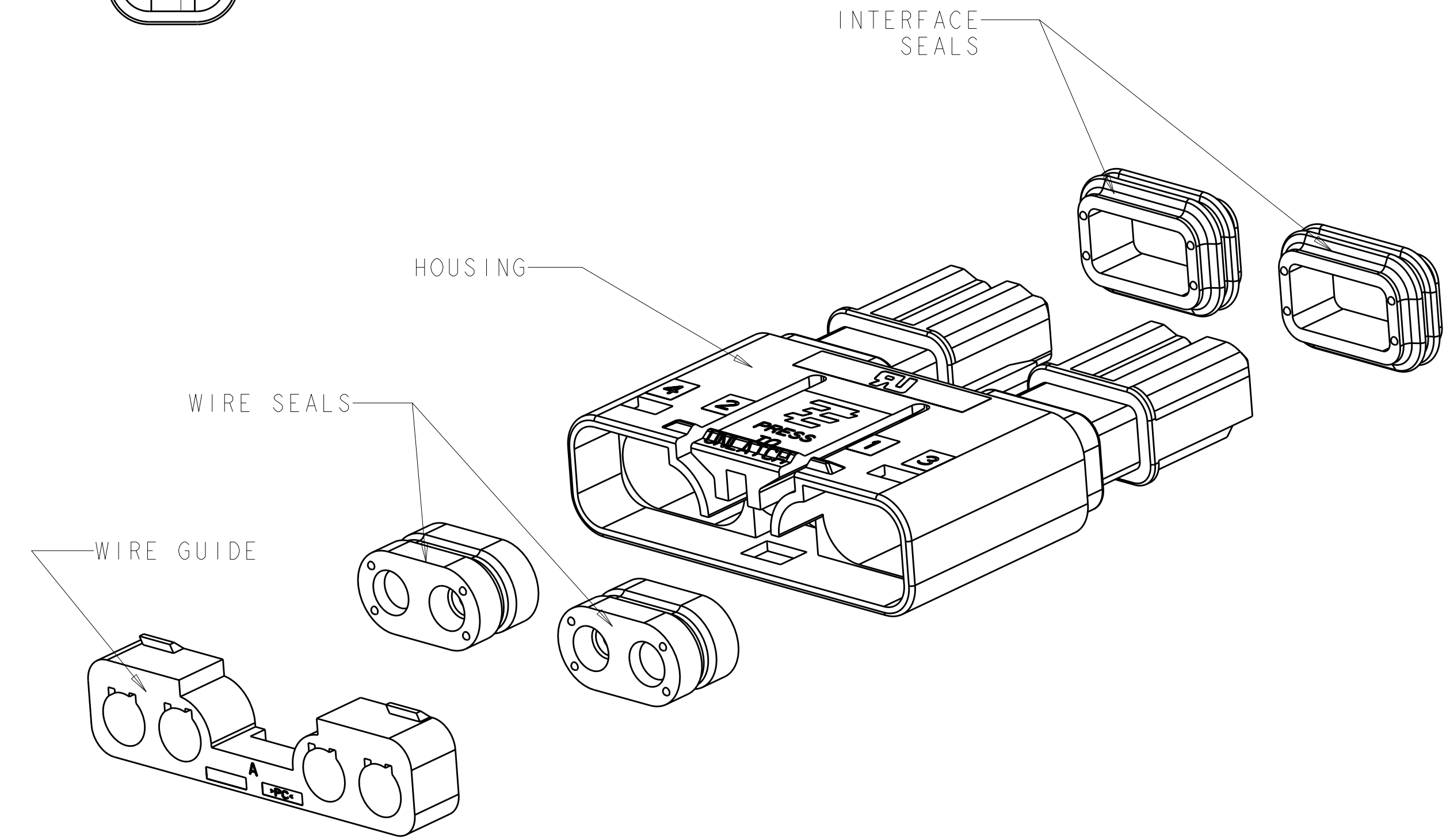
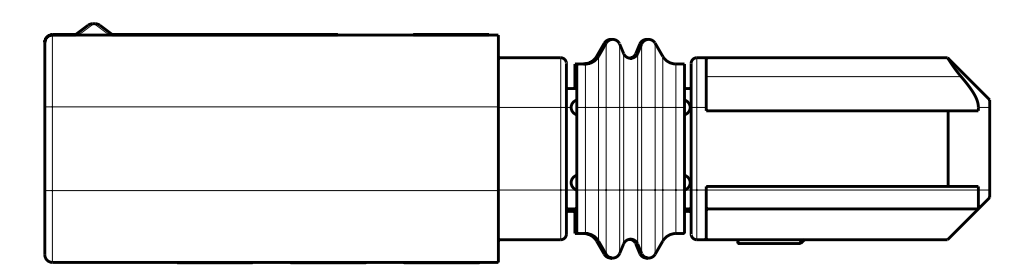


LOC	DIST	REVISIONS			
CM	00	REV	DATE	DWN	APVD
		A1	REVISD PER ECO-11-004820	11MAR2011	RK HMR

- ⚠ MATERIAL: HOUSING: POLYCARBONATE, FI PER UL 746C, COLOR: BLACK  
 WIRE GUIDE: POLYCARBONATE, FI PER UL 746C, COLOR: BLACK  
 SEALS: SILICONE RUBBER, COLOR BLUE
- THIS PART HAS NOT COMPLETED VALIDATION TESTING.
  - MUST COMPLY WITH DIRECTIVE 2002/95/EC (ROHS).



2106135-4  
SCALE 3:1



2106135-4 SHOWN

DIM A REF	NO. OF POSN	PART NUMBER
21.40	4	2106135-4
17.90	3	2106135-3
14.40	2	2106135-2

THIS DRAWING IS A CONTROLLED DOCUMENT.

DIMENSIONS:	TOLERANCES UNLESS OTHERWISE SPECIFIED:	DWN: WM.VAN SCOOC 12FEB2009	NAME: ASSEMBLY, PLUG, FREE HANGING SLIMSEAL SSL CONNECTOR
mm	0 PLC ± 1 PLC ±0.2 5 PLC ±0.15 4 PLC ± ANGLES ±°'	CHK: A. BUCHER 12FEB2009	PRODUCT SPEC: 108-2391
MATERIAL:	FINISH:	APVD: A. BUCHER 12FEB2009	APPLICATION SPEC: 114-13261
		WEIGHT:	RESTRICTED TO: CUSTOMER DRAWING

SCALE 4:1 SHEET 1 OF 1 REV A1