



ENGLISH

Datasheet

RS Article:1854799

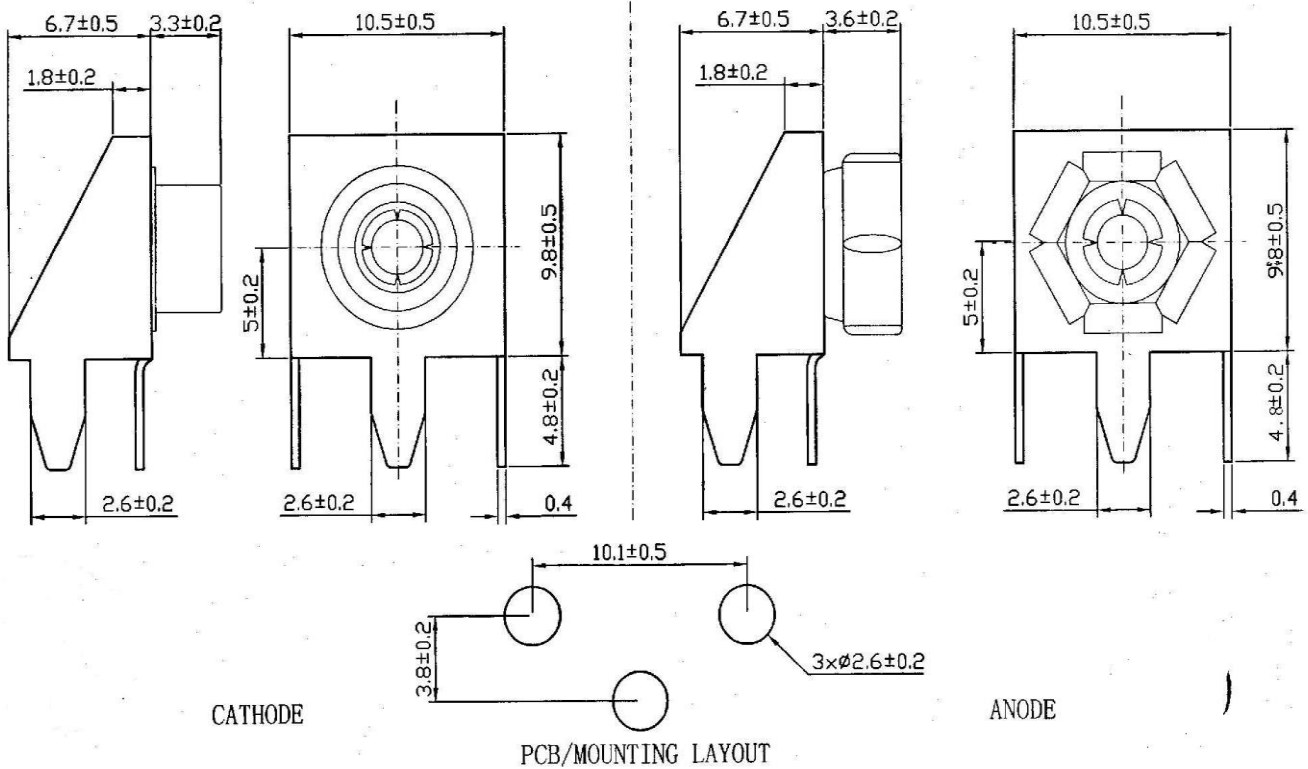
RS Pro Battery Holder



1. Preface:

The purpose of this product specification is to dimension and drawing

PP3 9V PCB Mount Negative and Positive



SPECIFICATION

- (1) ITEM NO: 1854799
- (2) WITH 6 PRONG SNAP TERMINAL
- (3) MATERIAL: STEEL PLATED TIN

Measure: mm