

Screw - HC-HS-PES - 1586219


Please be informed that the data shown in this PDF Document is generated from our Online Catalog. Please find the complete data in the user's documentation. Our General Terms of Use for Downloads are valid (<http://phoenixcontact.com/download>)



PE screw, for HC-HS contact inserts



Key Commercial Data

Packing unit	10 pc
Minimum order quantity	10 pc
GTIN	 4 046356 367172
GTIN	4046356367172

Technical data

General

Note	PE screw, for contact inserts HC-HS, HC-B06-UTT
Size	PE screw
Material	Steel, galvanized
Note	PE screw, for contact inserts HC-HS, HC-B06-UTT

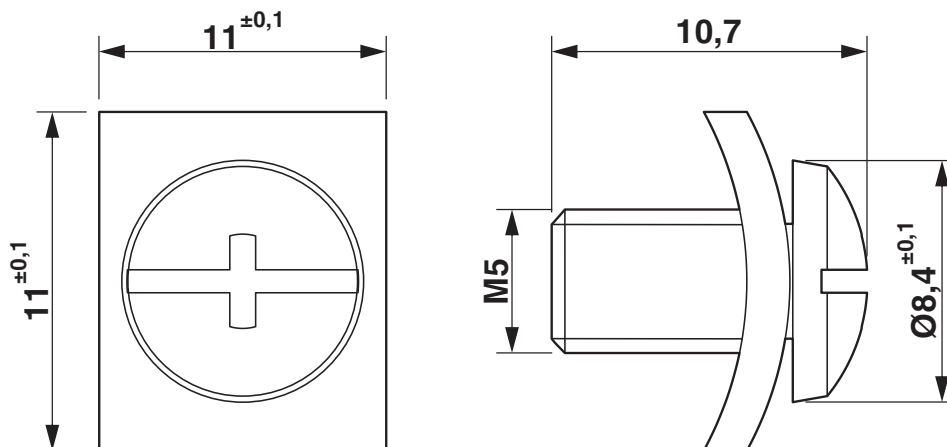
Environmental Product Compliance

China RoHS	Environmentally friendly use period: unlimited = EFUP-e
	No hazardous substances above threshold values

Drawings

Screw - HC-HS-PES - 1586219

Dimensional drawing



Dimensional drawing

Classifications

eCl@ss

eCl@ss 10.0.1	23110190
eCl@ss 11.0	23110190
eCl@ss 4.0	27378000
eCl@ss 4.1	27378000
eCl@ss 5.0	27379100
eCl@ss 5.1	27379100
eCl@ss 6.0	27379200
eCl@ss 7.0	27379201
eCl@ss 9.0	23110190

ETIM

ETIM 3.0	EC000032
ETIM 4.0	EC002365
ETIM 6.0	EC002498
ETIM 7.0	EC000887

UNSPSC

UNSPSC 6.01	30211817
UNSPSC 7.0901	39121416
UNSPSC 11	43172601
UNSPSC 12.01	39121522
UNSPSC 13.2	39121421
UNSPSC 19.0	39121421

Phoenix Contact 2022 © - all rights reserved
<http://www.phoenixcontact.com>

PHOENIX CONTACT GmbH & Co. KG
Flachmarktstr. 8
32825 Blomberg
Germany
Tel. +49 5235 300
Fax +49 5235 3 41200
<http://www.phoenixcontact.com>