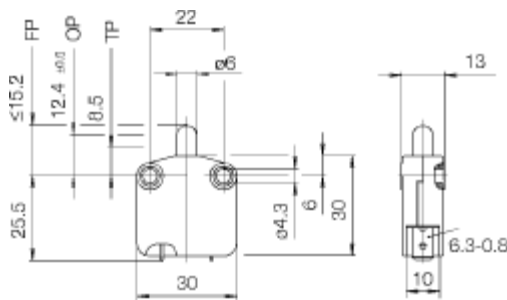




Marquardt Mechatronik GmbH  
 Schloss-Str. 16  
 78604 Rietheim-Weilheim  
 Germany

Phone: +49 (0) 7424 / 99-0  
 Fax: +49 (0) 7424 / 99-2399  
 Net: www.marquardt.de  
 E-mail: marquardt@marquardt.de

## Product image / Drawings



## Technical data

<b>Product number</b>	<b>1117.0206</b>
Product family	Snap-action switches
Actuation type	indirect
Weight	10.100 g
ROHS conform	yes
Switching function	Normally closed contact (SPNC)
Material fixed contact	Ag
Number of poles	1 - pole
connections	Quick-connect terminal, 6.3 x 0.8
Mechanical life endurance	10E4
Rating IEC	16 (6) A 400 V AC 1E4
Rating North America	12 A 125 V AC 1/6 HP 12 A 250 V AC 1/2 HP
Contact resistance (new condition)	< 100 mOhm
Insulation resistance (new condition)	> 100 (500 V DC) MOhm
Voltage strength at 250 V	function insulation / basic insulation 1 500 V reinforced insulation 3 000 V
Proof tracking	250 PTI
Insulation spacing	acc. to EN 61058 for reinforced or double insulation
Protection type	Connection IP 40 Actuator IP 40
Temperatures	Connection side min. -40 °C Connection side max. 85 °C Storage temperature min. -40 °C Storage temperature max. 85 °C
Flammability	UL 94 V-0
Glow wire test temperature	850 °C
Actuators and additional actuators	actuator: PA glass fiber-reinforced, natural
Housing description	housing: PA glass fiber-reinforced, natural
Connection surface	bearing connection silver plated external connection silver plated
Contact material	Ag
Contact distance	≥ 3 mm
Rating Code UL	R 84
Contact type	jump contact
Operating force	3.5 ±0.5 N
Difference travel max.	2.6 mm
Pretravel max.	3.3 mm
Overtravel min.	3.4 mm
Free position (FP) max.	15.2 mm

Operating position (OP)	12.4 ±0.5 mm
Permissible total travel position	8.5 mm
Approval marks	CSA / ENEC 05 / UL
Suitable for appliances of protection class	II
EN 60335 cap. 30 conform "G"	yes
Additional labeling	T.-Nr. 6577900
Additional labeling packing	T.-Nr. 6577900
Stock version	●