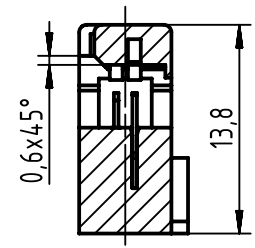


see table for coding, feature arrangement and style

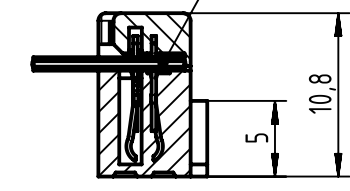
pre-assembled

A-A




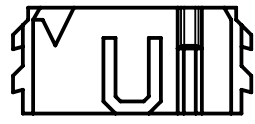
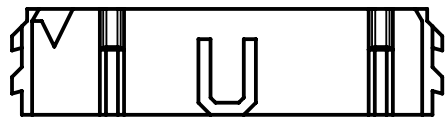
assembled

B-B




flat cable
AWG 26/7 - 28/7
(is not in scope of delivery)

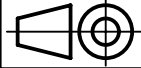
coding style table

	style A: for connectors 6-pole
	style B: for connectors from 10 to 14-pole
	style C: for connectors from 16 to 64-pole

further information see: DS 09182100600

	All rights reserved Department EC PD - DE	Created by STORCK	Inspected by LEHNERT	Standardisation HOFFMANN	Date 2016-04-05	State Final Release	Ref. Sub.
	HARTING Electronics GmbH D-32339 Espelkamp	Title SEK 18 female connector with closed end cover				Doc-Key / ECM-Nr. 100662934/UGD/008/A 50000099698	
		Type TB	Number 09185XXX804		Rev. A	Page 1/2	

no. of contacts	performance level			insulator colour	dimensions				
	PL3	PL2	S4		A max.	B	C	D	
	part number	part number	part number						
06	09 18 506 7804	09 18 506 6804	09 18 506 5804	grey	12,2	2 x 2,54 (=5,08)	2	8,02	
10	09 18 510 7804	09 18 510 6804	09 18 510 5804		17,3	4 x 2,54 (=10,16)	3,8	13,1	
14	09 18 514 7804	09 18 514 6804	09 18 514 5804		22,4	6 x 2,54 (=15,24)	3,8	18,18	
16	09 18 516 7804	09 18 516 6804	09 18 516 5804		24,9	7 x 2,54 (=17,78)	3,8	20,72	
20	09 18 520 7804	09 18 520 6804	09 18 520 5804		30	9 x 2,54 (=22,86)	3,8	25,8	
26	09 18 526 7804	09 18 526 6804	09 18 526 5804		37,6	12 x 2,54 (=30,48)	3,8	33,42	
30	09 18 530 7804	09 18 530 6804	09 18 530 5804		42,7	14 x 2,54 (=35,56)	3,8	38,56	
34	09 18 534 7804	09 18 534 6804	09 18 534 5804		47,8	16 x 2,54 (=40,64)	3,8	43,58	
40	09 18 540 7804	09 18 540 6804	09 18 540 5804		55,4	19 x 2,54 (=48,26)	3,8	51,2	
50	09 18 550 7804	09 18 550 6804	09 18 550 5804		68,1	24 x 2,54 (=60,96)	3,8	63,9	
60	09 18 560 7804	09 18 560 6804	09 18 560 5804		80,8	29 x 2,54 (=73,66)	3,8	76,6	
64	09 18 564 7804	09 18 564 6804	09 18 564 5804		85,9	31 x 2,54 (=78,74)	3,8	81,68	
06	09 18 506 7804 001	09 18 506 6804 001	09 18 506 5804 001		black	12,2	2 x 2,54 (=5,08)	2	8,02
10	09 18 510 7804 001	09 18 510 6804 001	09 18 510 5804 001			17,3	4 x 2,54 (=10,16)	3,8	13,1
14	09 18 514 7804 001	09 18 514 6804 001	09 18 514 5804 001	22,4		6 x 2,54 (=15,24)	3,8	18,18	
16	09 18 516 7804 001	09 18 516 6804 001	09 18 516 5804 001	24,9		7 x 2,54 (=17,78)	3,8	20,72	
20	09 18 520 7804 001	09 18 520 6804 001	09 18 520 5804 001	30		9 x 2,54 (=22,86)	3,8	25,8	
26	09 18 526 7804 001	09 18 526 6804 001	09 18 526 5804 001	37,6		12 x 2,54 (=30,48)	3,8	33,42	
30	09 18 530 7804 001	09 18 530 6804 001	09 18 530 5804 001	42,7		14 x 2,54 (=35,56)	3,8	38,56	
34	09 18 534 7804 001	09 18 534 6804 001	09 18 534 5804 001	47,8		16 x 2,54 (=40,64)	3,8	43,58	
40	09 18 540 7804 001	09 18 540 6804 001	09 18 540 5804 001	55,4		19 x 2,54 (=48,26)	3,8	51,2	
50	09 18 550 7804 001	09 18 550 6804 001	09 18 550 5804 001	68,1		24 x 2,54 (=60,96)	3,8	63,9	
60	09 18 560 7804 001	09 18 560 6804 001	09 18 560 5804 001	80,8		29 x 2,54 (=73,66)	3,8	76,6	
64	09 18 564 7804 001	09 18 564 6804 001	09 18 564 5804 001	85,9		31 x 2,54 (=78,74)	3,8	81,68	

	All Dimensions in mm Original Size DIN A3	Scale 1:1	Free size tol.	Ref.
	All rights reserved Department EC PD - DE	Created by STORCK	Inspected by LEHNERT	Standardisation HOFFMANN
HARTING Electronics GmbH D-32339 Espelkamp		Title SEK 18 female connector with closed end cover		Date 2016-04-05
		Type TB	Number 09185XXX804	State Final Release
				Doc-Key / ECM-Nr. 100662934/UGD/008/A 50000099698
				Rev. A Page 2/2