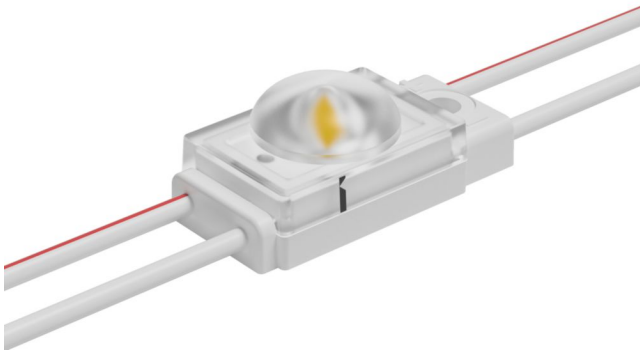


The trusted value of OSRAM Digital Systems continues with Inventronics Global – where experience meets innovation.

BA-CX-XS -810-G6

BackLED CS XS G6



Product family features

- LED chain comprising 40 LED modules connected by flexible cables
- Each LED module contains 1 LED
- Compatible with Inventronics OPTOTRONIC constant voltage drivers / dimmers
- Color consistency in 3 SDCM
- Wide CCT and color options available
- IP66 rating
- Average lifetime (L70 B50): 50,000 h (temperature at $T_p = 50$ °C)

Product family benefits

- Lifetime (L70/B50): 50,000 h (temperature at $T_c = 75$ °C)
- Switch times up to 1,000,000 h
- Wide beam angle for high uniformity
- Good solution to reduce system cost
- Backside injection technology for high protection level



Areas of application

- Channel letters
- Signage boxes
- Sky Ceiling
- Petrol station, Gas station
- Luminous areas and ceilings
- Backlighting

Technical data

Electrical data

Nominal voltage	12.0 V
Type of current	DC
Rated wattage	14.40 W
Input voltage range	12...13 V
Accidental reverse input voltage protection up to	13 V
Nominal wattage per chain	14.40 W
Nominal wattage per LED module	0.36 W

Photometrical data

Color rendering index Ra	80
Luminous efficacy	108 lm/W
Light color (designation)	Cool White
Color Temperature	10000
Luminous flux per LED module	39 lm
Standard deviation of color matc	< 3 sdcn

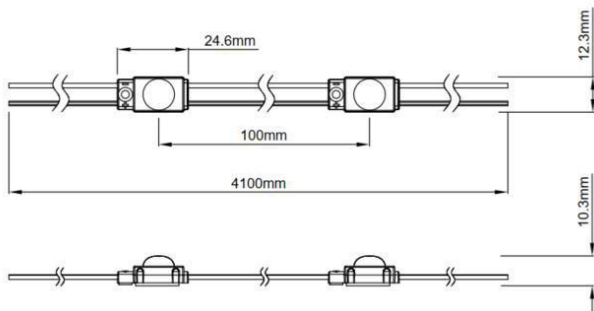
Light technical data

Beam angle	155 °
Warm-up time (60 %)	0.01 s

LED module information

Number of LEDs per module	1
Minimum operable number of LED modules	1
Number of LED modules per chain	40

Dimensions & weight



Length	4100 mm
Width	12.3 mm
Height	10.3 mm
Product weight	140.00 g
Module pitch	100 mm
Module length	24.6 mm

Temperatures & operating conditions

Temperature range in operation at Tc point	-30...+50 °C
Ambient temperature range	-30...+50 °C
Temperature range at storage	-30...+80 °C

Lifespan

Rated lamp life time	50000 h
----------------------	---------

Capabilities

Dimming range	1...100 %
---------------	-----------

Certificates & standards

Standards	IEC/TR 62778 / IEC/EN 61347-1 / IEC/EN 60529 / IEC/EN 62031 / IEC/EN 60598-1 / IEC/EN 61547
Type of protection	IP66
Approval marks – approval	CE / BIS / CB
Energy efficiency class of the contained light source	F

Logistical data

Commodity code	85395100000
-----------------------	-------------

Environmental information

Information according Art. 33 of EU Regulation (EC) 1907/2006 (REACH)	
Date of Declaration	11-09-2025
Primary Article Identifier	6937186106797 6937186160102
Candidate List Substance 1	no declarable substance contained
CAS No. of substance 1	no declarable substance contained
Declaration No. in SCIP database	In work
SCIP_STATUS	In work
SCIP_ID	

Ecodesign regulation information:

- This product is considered to be a "containing product" in the sense of Regulations (EU) 2019/2020 and (EU) 2019/2015.
- Tolerances of the reported values, are according to LED Modules Performance standard IEC/EN 62717.
- In general, the replacement of the contained light sources without permanent damage to the product with the use of common available tools is possible in the final application when they can be dismantled from the installation environment and substituted for the necessary number of light sources restoring its full electrical/mechanical/thermal/optical functionality by means of a professional installer.
- Dismantling of light sources from containing products at end of life: Containing products with light sources which are scalable in length can be cut to the length of the contained light source and if applicable mechanically detached from protective and/or optical covers. Containing products shall be separated from building material and/or from other additional mounting accessories by means of a professional installer. Separate control gear and light sources must be disposed of at certified disposal companies in accordance with Directive 2012/19/EU (WEEE) in the EU and with Waste Electrical and Electronic Equipment (WEEE) Regulations 2013 in the UK. For this purpose, collection points for recycling centres and take-back systems (CRSO) are available from retailers or private disposal companies, which accept separate control gear and light sources free of charge. In this way, raw materials are conserved and materials are recycled.

Additional product information

- Installation of LED modules (with power supplies) needs to be made under consideration of all valid regulations and norms.
- Installation by qualified electrician only.
- Please see the relevant application guides and instructions sheets for more detailed safety and mounting information. Additional information is available on request.
- The LED module itself and all its components must not be stressed mechanically.
- To avoid mechanical damage, the LED modules have to be attached securely to the intended mounting surface. It is recommended to avoid heavy vibration.
- Only a qualified electrician may install the module.
- Observe correct polarity and wiring diagrams! Incorrect polarity or wrong wiring can cause unpredictable permanent damage or even failure of the product.
- Assembly must not damage or destroy conducting paths on the circuit board.
- Please ensure that the power supply is of adequate power to operate the total load.
- Please ensure that the power supply is of adequate power to operate the total load.
- Pay attention to standard ESD precautions when installing the module.
- Damage caused by corrosion will not be accepted as a material defect claim. It is the manufacturer's responsibility to provide suitable protection against corrosive agents, such as moisture, condensation and other harmful elements.
- For applications involving exposure to humidity and dust the module must be protected by a fixture or housing with a suitable IP protection class.

Download Data

File		
IES data	Compressed	▶ BA-CX-XS-810-G6.1
Product Datasheet	PDF	▶ Product Datasheet_BackLED® Core Xperience G6
Certificates	PDF	▶ CB NL-113263-151239
Eulumdat	Compressed	▶ BA-CX-XS-810-G6_LTD file
CAD data 3-dim	Compressed	▶ CX-1LED-3D-BA-CX-G6
Mandatory Publications	PDF	▶ CED 9C1-4539768-EN-00_24-12
User instruction	PDF	▶ 15130306 UI_BA-CX-G6_8s_MiC_INV

Logistical Data

Product code	Product description	Packaging unit (Pieces/Unit)	Dimensions (length x width x height)	Volume	Gross weight
6937186160102 INVENTRONICS	BA-CX-XS -810-G6	Shipping carton box 32 Pieces	360 x 260 x 240 mm	22.46 dm ³	160.63 g

The mentioned product code describes the smallest quantity unit which can be ordered. One shipping unit can contain one or more single products. When placing an order, for the quantity please enter single or multiples of a shipping unit