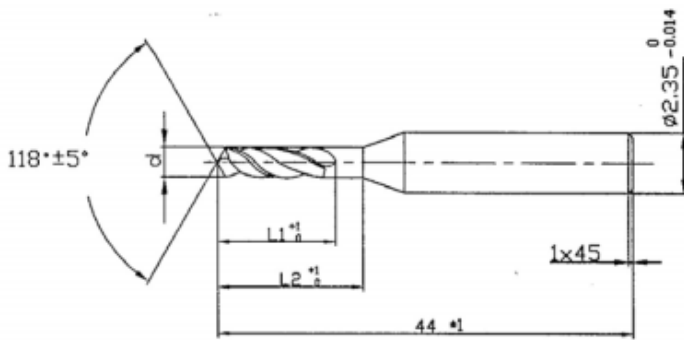


Datasheet

Steel PCB Drill Bit 0.6mm

RS Stock number 457-588



RS STOCK NUMBER	MANUFACTURER PART NO.	Description	Dia.(d)	Tolerance(mm)	Overall Length(mm)	Flute Length(L1)mm
457588	HM100-0060	HSS drill bit 0.6mm	0.6mm	-0.014	44±1	7±1
457651	HM100-0080	HSS drill bit 0.8mm	0.8mm	-0.014	44±1	11±1
457598	HM100-0090	HSS drill bit 0.9mm	0.9mm	-0.014	44±1	11±1
457617	HM100-0100	HSS drill bit 1.0mm	1.0mm	-0.014	44±1	11±1
457611	HM100-0120	HSS drill bit 1.2mm	1.2mm	-0.014	44±1	11±1
457601	HM100-0130	HSS drill bit 1.3mm	1.3mm	-0.014	44±1	11±1
457605	HM100-0150	HSS drill bit 1.5mm	1.5mm	-0.014	44±1	11±1
457627	HM100-1000	HSS set 0.5 to 2.2mm	10pc contains 0.5,0.6,0.8,0.9,1.0,1.3,1.6,1.7,2.0,2.2mm			
448607	HM100-1000	HSS set 0.5 to 2.2mm	10pc contains 0.5,0.6,0.8,0.9,1.0,1.3,1.6,1.7,2.0,2.2mm			

Remarks:

- Material: HSS M2
- Shank Dia.: 2.35mm