

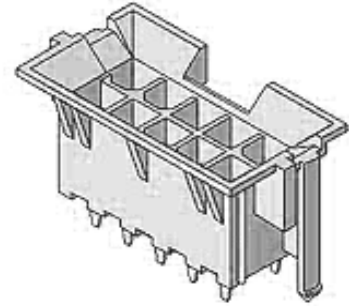
Part Number : [444740611](#)

Product Description : Mini-Fit HCS Header, 4.20mm Pitch, Dual Row, Vertical, Blind Mating, with Snap-in Plastic Peg PCB Lock, 6 Circuits, PA Polyamide Nylon 6/6 94V-2, without Drain Holes, Halogen Free

Series Number : 44474

Status : Active

Product Category : PCB Headers and Receptacles



Documents & Resources

Drawings


[PK-42440-001-001.pdf](#)

Specifications

[PS-44476-001-001.pdf](#)

Product Environment Compliance

Compliance

GADSL/IMDS	Not Relevant
China RoHS	per SJ/T 11365-2006 
EU ELV	Not Relevant
Low-Halogen Status	Low-Halogen per IEC 61249-2-21
REACH SVHC	Not Contained per D(2025)4165-DC (25 June 2025)
EU RoHS	Compliant per EU 2015/863

Compliance Statements

- EU RoHS
- REACH SVHC
- Low-Halogen

Industry Documents

- IPC 1752A Class C
- IPC 1752A Class D
- Molex Product Compliance Declaration
- IEC-62474

- chemSHERPA (xml)

Substances of Interest

- PFAS

EU RoHS Certificate of Compliance

Additional Product Compliance Information

Part Details

General

Status	Active
Category	PCB Headers and Receptacles
Series	44474
Description	Mini-Fit HCS Header, 4.20mm Pitch, Dual Row, Vertical, Blind Mating, with Snap-in Plastic Peg PCB Lock, 6 Circuits, PA Polyamide Nylon 6/6 94V-2, without Drain Holes, Halogen Free
Application	Board-to-Board, Power, Wire-to-Board
Comments	Square Pin, Solder Type
Component Type	PCB Header
Product Name	Mini-Fit HCS
UPC	884982053175

Agency

CSA	LR19980
UL	E29179

Electrical

Current - Maximum per Contact	11.0A
Voltage - Maximum	600V

Physical

Breakaway	No
Circuits (Loaded)	6
Circuits (maximum)	6

Color - Resin	Natural (White)
Durability (mating cycles max)	30
Flammability	94V-2
Glow-Wire Capable	Yes
Material - Metal	High Performance Alloy (HPA)
Material - Plating Mating	Tin
Material - Plating Termination	Tin
Material - Resin	Nylon
Net Weight	1.804/g
Number of Rows	2
Orientation	Vertical
Packaging Type	Tray
PCB Locator	Yes
PCB Retention	Yes
PCB Thickness - Recommended	1.80mm
PC Tail Length	3.50mm
Pitch - Mating Interface	4.20mm
Polarized to PCB	Yes
Shrouded	Fully
Stackable	No
Temperature Range - Operating	-40° to +105°C
Termination Interface Style	Through Hole

Solder Process Data

Max-Duration	5
Lead-Free Process Capability	WAVE
Max-Cycle	1
Max-Temp	240

Mates With / Use With

Mates with Part(s)

Description	Part Number
Mini-Fit BMI Dual Row Receptacle Housings	<u>42474</u>

Mini-Fit HCS Vertical Dual Row PCB Receptacles	<u>44475</u>
Mini-Fit BMI Dual Row Receptacle Housings	<u>44516</u>
Mini-Fit Jr. Receptacle Housings	<u>5557</u>