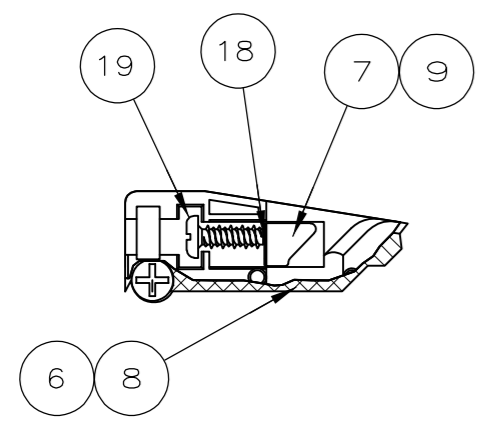
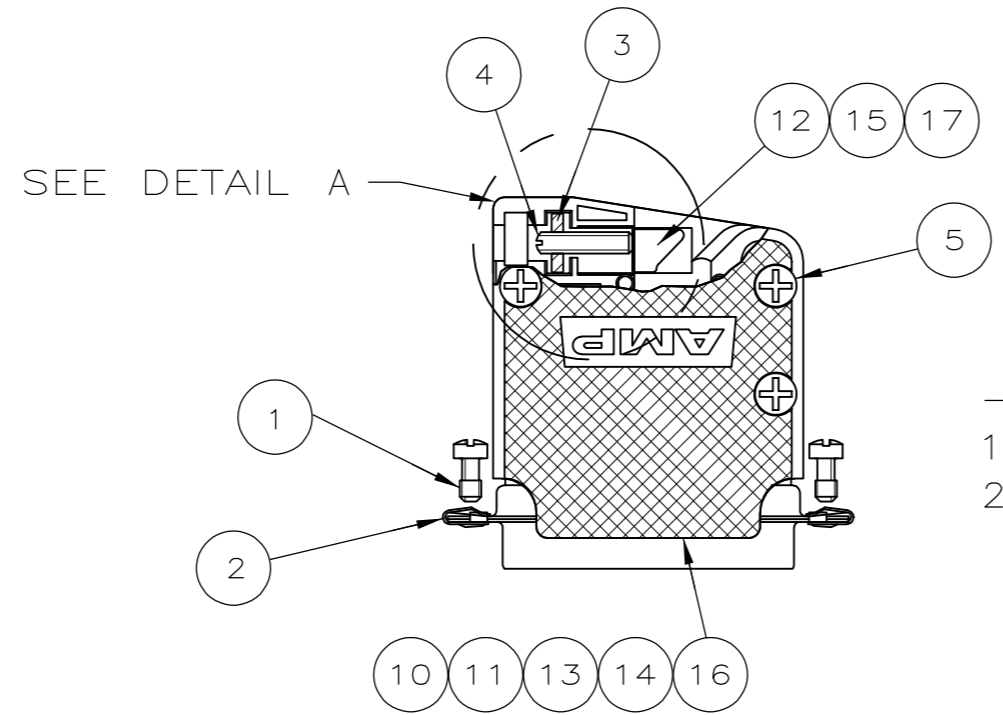


THIS DRAWING IS UNPUBLISHED. RELEASED FOR PUBLICATION  
 © COPYRIGHT 2006 By - ALL RIGHTS RESERVED.

LOC	DIST	REVISIONS			
P	LTR	DESCRIPTION	DATE	DWN	APVD
GP	00	A1	REVISED PER ECO-11-004835	11MAR11	RK HMR



DETAIL A  
FOR -1 & 2 ONLY



-3, -4, -5,  
1--1, 1--2,  
2--2 & 2--6

- 1 PARTS PACKAGED UNASSEMBLED.
- ② STAINLESS STEEL.
- ③ ZINC PLATED YELLOW CHROMATE COATING.
- ④ STEEL.
- ⑤ ZINC PLATED CLEAR CHROMATE COATING.
- ⑥ BRASS.
- ⑦ BLACK ZINC PHOSPHATE.
- ⑧ OBSOLETE.

								CONTENTS BULK PACKAGED BY ITEM			
								CONTENTS PACKAGED ONE KIT PER POLY BAG			
-	-	-	-	-	-	1	1	GATE SCREW	④ ⑦	19	
-	-	-	-	-	-	1	1	SHIM	⑥	18	
-	-	-	1	-	-	-	-	SIZE 5 GATE		17	
-	-	-	1	-	-	-	-	SIZE 5 HOUSING		16	
-	-	-	-	1	-	-	-	SIZE 4 GATE		15	
-	-	-	-	1	-	-	-	SIZE 4 HOUSING		14	
1	-	1	-	-	-	-	-	SIZE 3 SHORT HOUSING		13	
1	1	1	-	-	1	-	-	SIZE 3 GATE		12	
-	1	-	-	-	1	-	-	SIZE 3 HOUSING		11	
-	-	-	1	-	-	-	-	SIZE 2 SHORT HOUSING		10	
-	-	-	1	-	-	1	-	SIZE 2 GATE		9	
-	-	-	-	-	-	1	-	SIZE 2 HOUSING		8	
-	-	-	-	-	-	-	1	SIZE 1 GATE		7	
-	-	-	-	-	-	-	1	SIZE 1 HOUSING		6	
2	3	2	3	3	3	2	1	PH HD #5-21 HI-LO SCREW	④ ⑤	5	
1	1	1	-	1	1	-	-	SLOTTED SET SCREW	④ ⑤	4	
1	1	1	-	1	1	-	-	SQUARE NUT	④	3	
2	2	2	2	2	2	2	2	CLIP	②	2	
2	2	2	2	2	2	2	2	RETAINING SCREW	③ ④	1	
2-6	2-2	1-2	1-1	-5	-4	-3	-2	-1	DESCRIPTION		ITEM NO

THIS DRAWING IS A CONTROLLED DOCUMENT.		DWN R.RICHARDSON 12SEPT05		
DIMENSIONS: INCHES		CHK C.ROHDE 12SEPT05		
TOLERANCES UNLESS OTHERWISE SPECIFIED:		APVD M.WALMSLEY 12SEPT05	NAME	
0 PLC ± - 1 PLC ± - 2 PLC ± - 3 PLC ± - 4 PLC ± - ANGLES ± -		PRODUCT SPEC	STRAIN RELIEF KIT, 45 /180 AMPLIMITE HD-20	
MATERIAL HOUSING & GATES: POLYPROPYLENE		APPLICATION SPEC	SIZE	RESTRICTED TO
HARDWARE: ② ④ ⑥		FINISH HOUSING & GATES: BLACK	CAGE CODE	
HARDWARE: ③ ⑤ ⑦		WEIGHT	DRAWING NO	
		CUSTOMER DRAWING	A2 00779	
		SCALE	2:1	
		SHEET	1 of 1	
		REV	A1	