



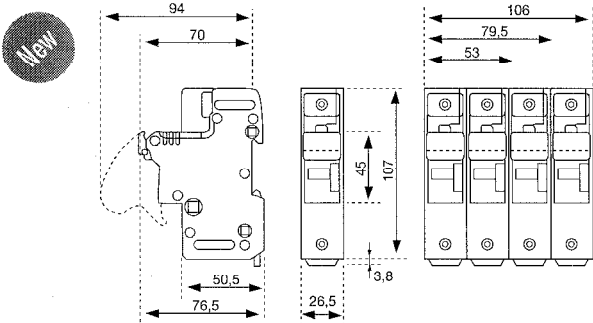
Blocks & Holders



French Ferrule Fuses

Modular fuse holders

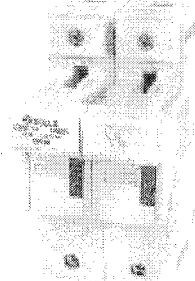
CMS



- Indicator for fuse melts and/or striker (120/690V)
- Clip for rail mounting in two positions
- Cable size max. 35 mm²
- Provision for locking
- IP 20

CMS 14: Fuse 14x51

In max: 50A; Vn max: 690V



J211056

Poles	CATALOG NUMBER				REFERENCE NUMBER				N° Mod. (17.5 mm)	Packing
	Standard	+ Indicator	+ Microswitch	Micro + ind.	Standard	+ Indicator	+ Microswitch	Micro + ind.		
N	29000				N222468				1,5	6
1	29002	29004	29020	29120	F222990	M200778	K214645	N201837	1,5	6
1 + N	29010	29011			E201323	M201836			3	3
2	29012	29013	29021	29121	J211056	C211579	R215157	K211057	3	3
3	29014	29015	29024	29124	J212091	Z212611	T215665	D211500	4,5	2
3*			29025 *	29125 *			Y216681 *	K212092 *	6	1
3 + N	29016	29017	29026	29126	L213128	D213627	L217199	A212612	6	1
4	29019				G214136				6	1

* 2 microswitches



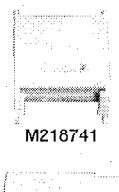
P217708

Unipolar fuse holder for accessories (**)

Function	CATALOG NUMBER	REFERENCE NUMBER	N° Mod. (17.5 mm)	Packing
Blown fuse, fuse presence, prebreaking	29030	P217708	1,5	6
Blown fuse only	29031	L223524	1,5	6

(**) Enables installation of accessory microswitch and/or indicator

Accessories (***)



M218741

F213629

Description	CATALOG NUMBER	REFERENCE NUMBER	N° Mod. (17.5 mm)	Packing
Micro Kit 1P	29051	M218741	1,5	1
Micro Block 3P	29052	C219261	4,5	1
Block 2 Micro 3P	29053	D219791	4,5	1
Micro assembly pins	29265	J214138		10
Micro enlargement pin	29264	F213629		10
Fuse holder assembly pins	29050	Z218223		10
Indicator	29054	-		1
Lock	29057	M223525		1

(***) See technical features for mounting information

Standards: IEC 260 2 1 / 047 3



Blocks & Holders



French Ferrule Fuses

Technical features - modular fuse holders

Fuse-link table I max. / Vn

Type	Fuse	In max.					Torque Maxi N.m.
		250	400	500	600	690	
CC	CC. 8	8 x 31		25A			2
	CC. 10	10 x 38		32A	25A		2
	CC. 14	14 x 51		50A	32A	25A	3,5
	CC. 22	22 x 58		125A	100A	80A	4
CCR	CCR. 8	8 x 31		25A			2
	CCR. 10	10 x 38		32A	25A		
MSC	MSC. 8	8 x 31		25A			2
	MSC. 10	10 x 38		32A	25A		
MSD	MSD (8x23)	8 x 23	10A				
	MSD (8x31)	8 x 31		20A			
	MSD (10x25)	10 x 25	16A				2
	MSD (10x31)	10 x 31		25A			
	MSD (10x38)	10 x 38		32A			
CMS	CMS. 14	14 x 51		50A	32A	25A	3,5
	CMS. 22	22 x 58		125A	100A	80A	4,5
MSM	MSM	5 x 20	16A				2

Application coefficient of multipolar fuse-links

N. mod (17,5 mm)	Fuse-link I max.
1 - 2 - 3	In
4 - 5 - 6	0,8 x In
7 - 8 - 9	0,7 x In
> 10	0,6 x In

Correction of available current based on temperature

Temperature	Available x In
20°C	1
30°C	0,95
40°C	0,9
50°C	0,8



Blocks & Holders



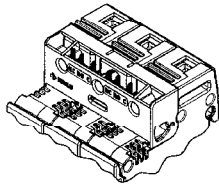
French Ferrule Fuses

Technical features - CMS

Microswitch options

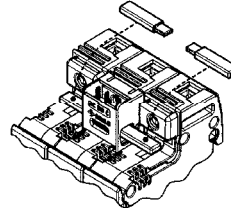
Ref. Number CMS 14 (D219791) • Art. N° CMS 22 (B212613)

2 microswitches



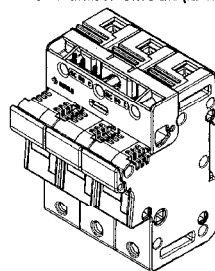
Ref. Number CMS 14 (M218741+F213629)
Ref. Number CMS 22 (M218741+F213629)

1 microswitch



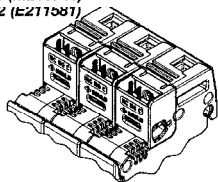
Ref. Number CMS 14 (C219261)
Ref. Number CMS 22 (L212090)

1 microswitch



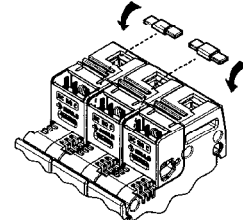
Ref. Number CMS 14 (M218741)
Ref. Number CMS 22 (E211981)

3 independent
microswitches



Ref. Number CMS 14 (M218741+J214138)
Ref. Number CMS 22 (E211581+J214138)

3 mechanically
interconnected
microswitches

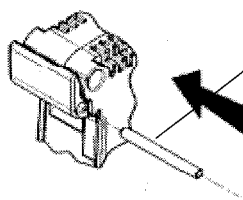


Fuse holder assembly

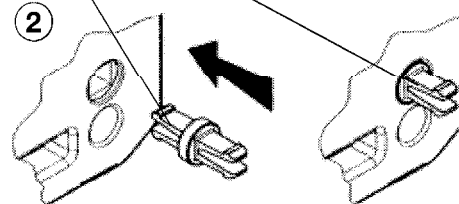
Ref. Number CMS 14/22 (Z218223)

Z218223

①

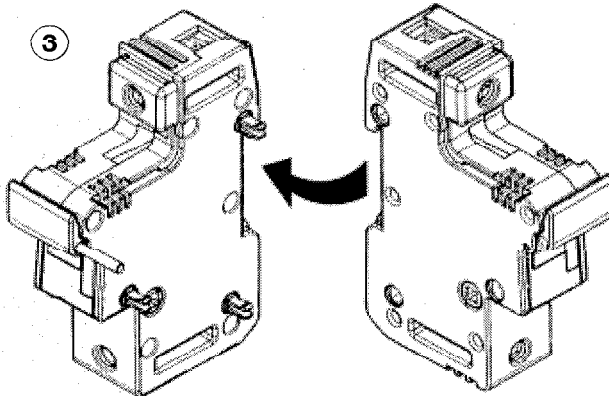


②

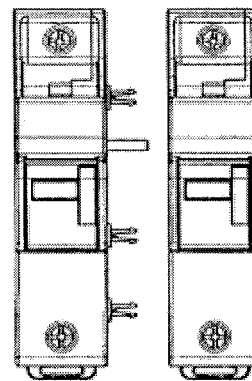


CLICK!

③



④



CLICK!



Blocks & Holders



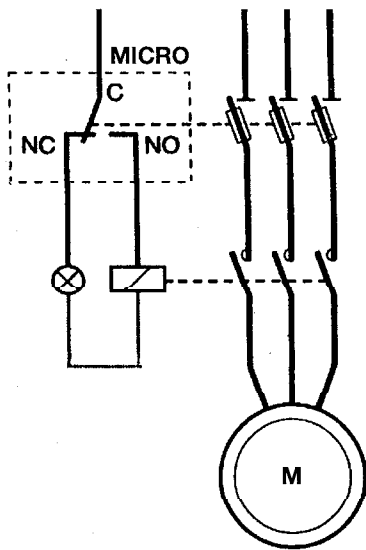
French Ferrule Fuses

Technical features - CMS

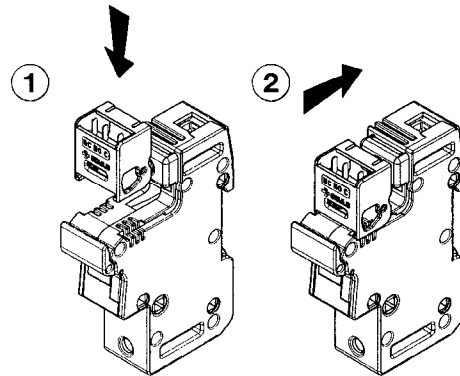
Microswitch mounting instructions (*)

Reference Number CMS 14 (M218/41 / G219261 / D219791)

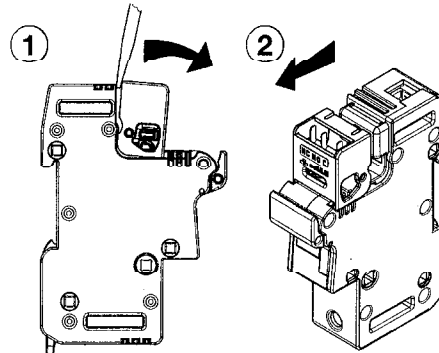
Reference Number CMS 22 (E211581 / L212093 / B212613)



Assembly



Disassembly



Auxilliary microswitch caracteristics

Minimum voltage and current for operation: 10VAC/DC 100mA

(*)Microswitch functions

Blown fuse: Fuse holder containing fuse with striker sends message when fuse blown

Prebreaking: When fuse holder opens

Presence: Sends message or not depending on fuse presence

Nominal current and interrupting rating(1) at 250V	6A	AC12
	3A	AC13
	0,3A	AC14
	0,1A	DC12/13/14

Nominal current and interrupting rating(1) at 2 and 24 V	6A	DC12/DC13
	5A	AC13
	2A	AC14/DC13
	0,6A	DC14

(1) According IEC947-5 standard



Blocks & Holders



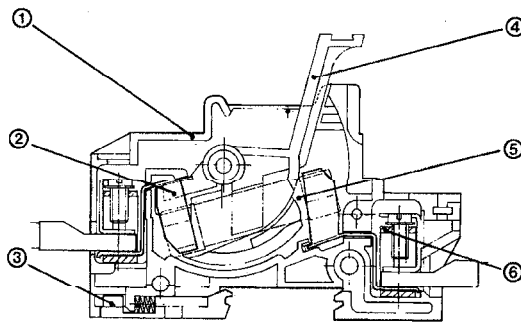
French Ferrule Fuses

Modular fuse holders

MS

MS Modular fuse base
for industrial cylindrical fuse-links

Note:
In 2001, these products will be cross-referenced to MSC10, CMS14 and CMS22 (see previous pages)



- 1 Base
- 2 Contact
- 3 Slide
- 4 Handle
- 5 Fuse-link
- 6 Bolt

Material:
 Handle: Thermal polyester (PU)
 Base: Highly temperature resistant polyamide.
 Self-extinguishable.
 Contacts: Silver-plated.
 Protection Index: IP 20
 Live parts inaccessible.

MS fuse holder operations
 with:

- Fuse indicator (250/690V~)
 Indicator lights up when:
 - Fuse melts
 - No fuse-link
- Reversing microswitch 5A-250V~
 The microswitch operates:
 - When fuse-link absent
 - When fuse base open
 - By trip-indicator action

Type	Fuse base In. (*)	Fuse-link	Fuse-link max.		
			400 V~	500 V~	690 V~
MS. 10	32A	10 x 38	32A	25A	-
MS. 14	50A	14 x 51	50A	40A	25A
MS. 22	125A	22 x 58	125A	100A	80A

(*) In intermittent operation
Do not open under load

Standards:
 CEI 269-2-1, 947-3
 NFC 63210 - 63001
 VDE 0636 - 1
 UNE 20129 - 21103

Approvals:
 Lloyd's Register of Shipping
 bureau veritas