



Modular Shelving System Starter and Extension Bays

RS Stock No. 519-396, 403, 419, 425, 431, 447, 453, 469

Site requirements

The proposed site should have a reasonably level floor, small local variations may be accommodated by the use of packing shims (not provided). The floor material should be concrete or any other suitable material which can withstand the loading.

Fixing requirements

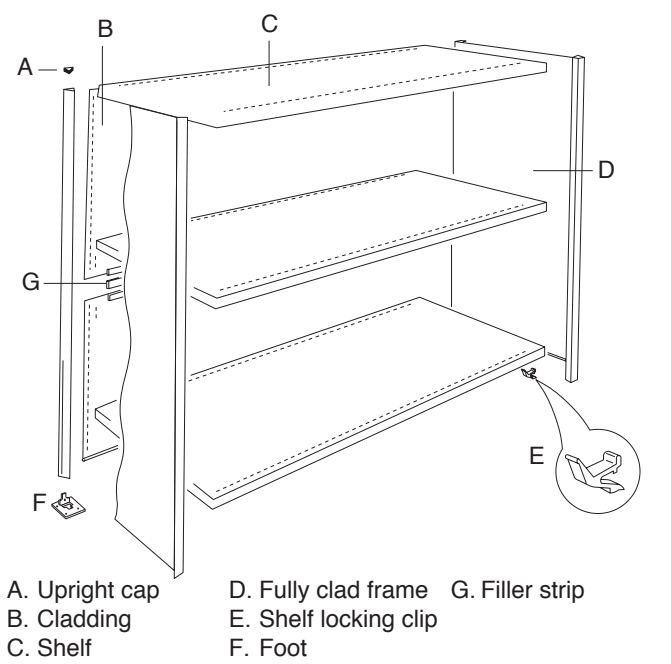
Racks must be fixed to the floor when the first shelf is more than 200mm from the floor.

Racks can be fixed to the floor using suitable fasteners e.g. Rawlbolts™ (loose bolt type **RS** stock no. 525-335) and the footplates provided with the basic and extension bays.

Unit data

Overall height	2.1m
Overall width	1.0m
Overall depth	400 or 500mm
Shelf loading	160kg uniformly distributed
Bay loading	1200kg max.

Figure 1. Exploded drawing - fully clad bay



Starter bay assembly

Clad back

Note: Two people will be required.

Select the frames and install the footplates. Note orientation of open frames.

Figure 2.

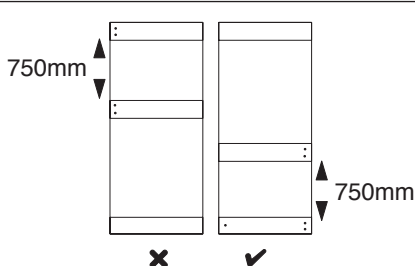


Figure 3.

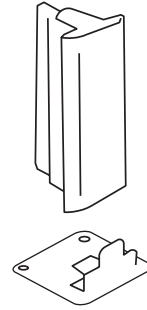
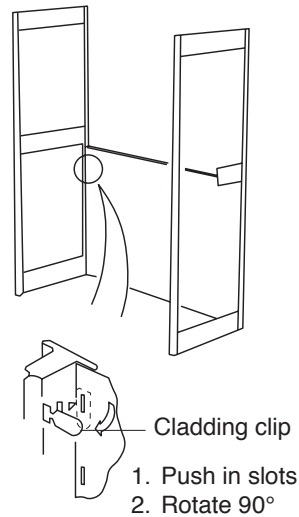


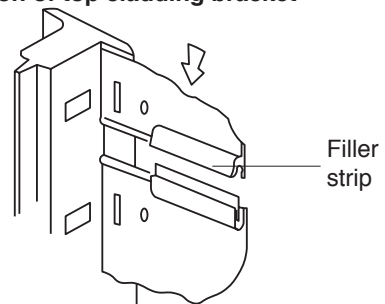
Figure 4. Location of first cladding sheet and use of cladding clip.



Fit the rear cladding

1. Select a cladding sheet and clip inside the bay using cladding clip as shown. (2 people required).
2. Locate filler strip, see sketch.
3. Clip top sheet in position ensuring filler strip is correctly located.
4. Locate and fix brackets as shown.

Figure 5. Location of top cladding bracket



Fit shelf locking clips and locate shelves as required. Note maximum pitch.

Push in upright caps.

Figure 6. Bolting positions for rear cladding

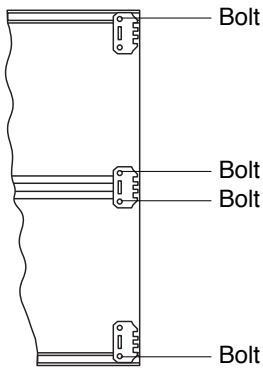


Figure 7. Location of top cladding bracket

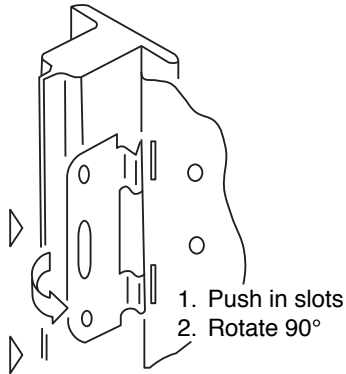


Figure 8. Maximum shelf pitch

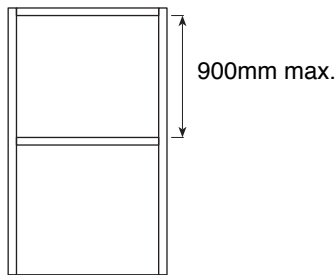
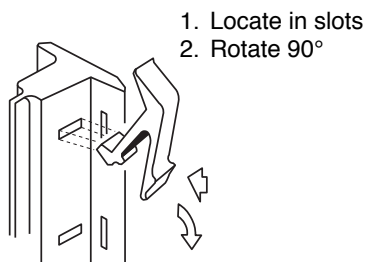


Figure 9. Location of shelf clip



Extension bay assembly

Clad back

Note: Two people will be required.

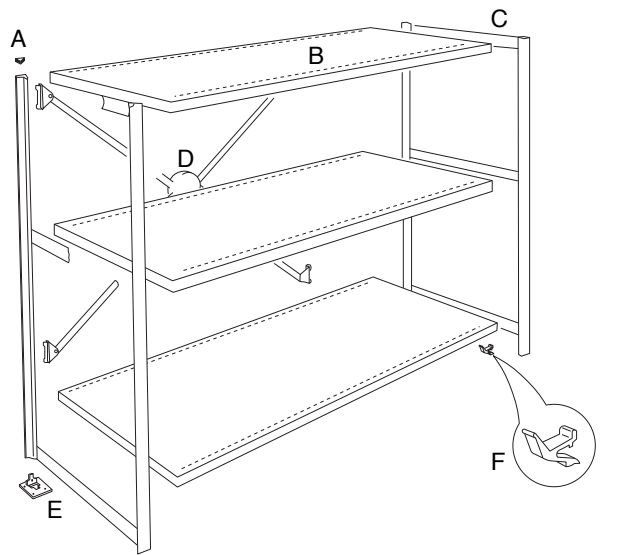
Select the frame and install the footplates as shown above.

Fit the rear cladding.

See notes 1-4 above.

Fit shelf locking clips and locate shelves as required. Note maximum fixing pitch, see above.

Figure 10. Exploded drawing - open bay



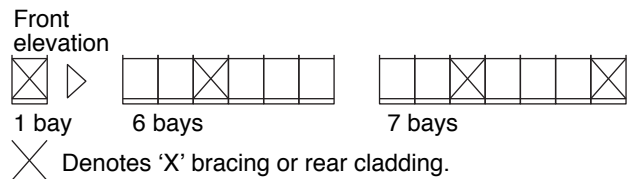
- A. Upright cap
- B. Shelf
- C. Frame (open)
- D. Disc clamp 'X' brace (rear or spine)
- E. Foot
- F. Shelf locking clip

'X' bracing/rear cladding fixing requirements

Fitting frequency requirement

All runs of shelving require rear bracing. This may take the form of a rear 'X' bracing assembly or rear cladding. It must be fitted at a frequency of at least 1 bay in 6, see example below.

Figure 11.



Starter bay assembly

Open pack

Note: Two people will be required.

Select the frames and install the footplates as shown.

Figure 12.

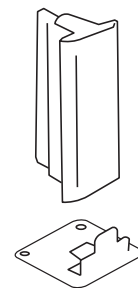
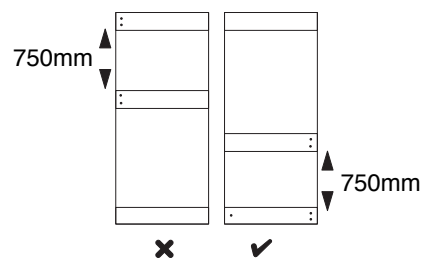


Figure 13.



Note orientation of open frames

Decide top shelf position (note fixing positions relative to 'X' brace).

Locate a shelf locking clip in the top position of each upright.

Fit shelf (2 people required).

Locate rear 'X' bracing.

1. Open ties to approx. 90°.
2. Remove centre bolts.
3. Hook in clips to uprights as shown in the sketch.
4. Engage but do not tighten centre bolt.

Locate remaining shelves. Note maximum fixing pitches relative to rear bracing.

Tighten 'X' brace disc bolt.

Figure 14. Location of shelf clip

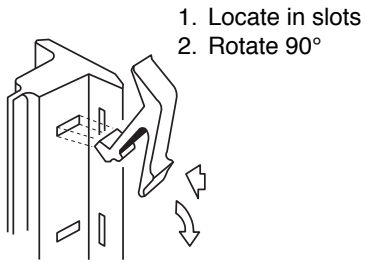


Figure 15. Location of rear 'X' bracing

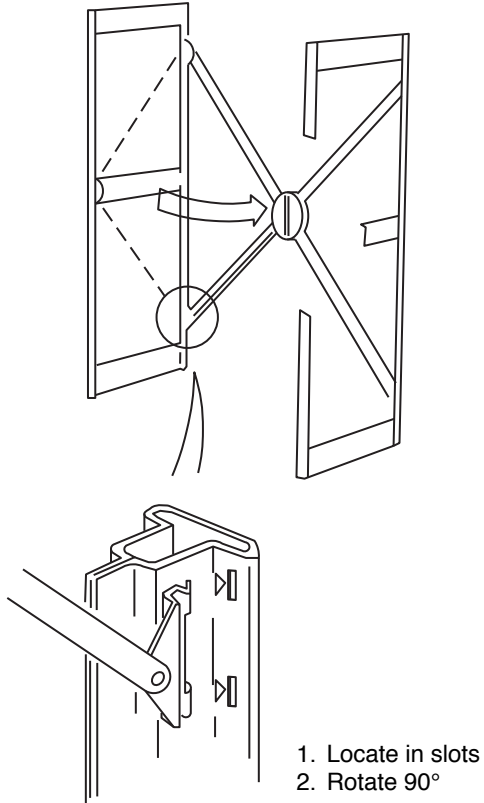


Figure 16. Disc clamp

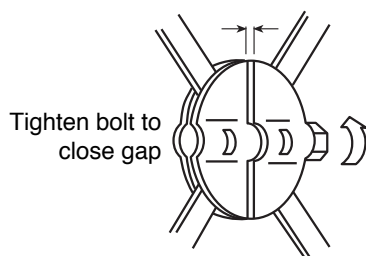
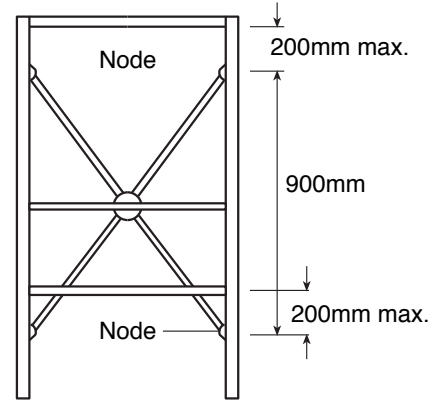


Figure 17.



Shelves must be positioned within 200mm above of below of node points. The remaining shelves may be fitted as required.

Push in upright caps

Extension bay assembly

Open back

Note: Two people will be required

Decide the top shelf position.

Fit 2 shelf locking clips on the outside of the assembled bay. (One to each upright of the frame).

Select the frame and install the feet.

Fit 2 shelf locking clips to the frame to correspond to those previously fitted.

Fit remaining shelves at the required levels.