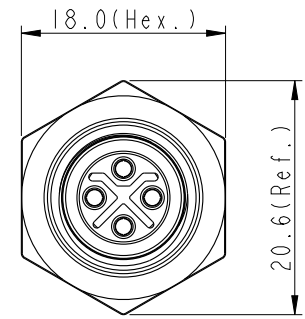
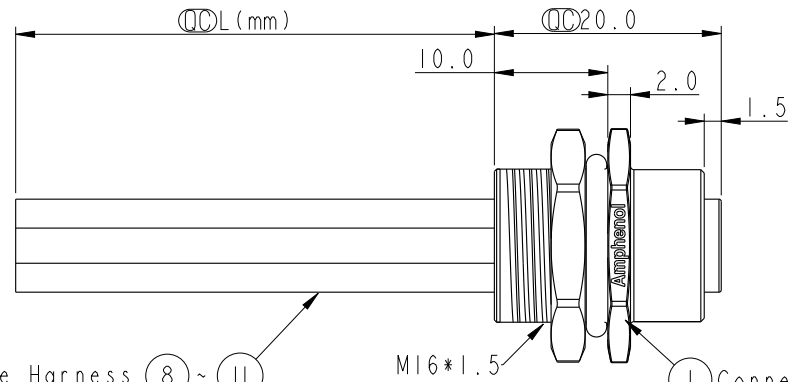
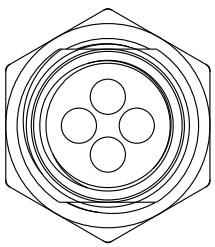


THIS DOCUMENT IS SUBJECT TO CHANGE WITHOUT NOTICE. IT IS CONFIDENTIAL AND A PROPERTY OF Amphenol LTW. DISCLOSURE TO THIRD PARTY HAS TO BE AUTHORIZED BY Amphenol LTW.

REV.	ECN NO.	DATE	SIGN	DESCRIPTION
A	Initial Release	2015/09/09	Cary	Change Rev. 01 to Rev.A

ALTW
CONFIDENTIAL
2015-09-09
R&D DEPT.

ALTW
DCC. DEPT.
CONFIDENTIAL
2015.09.22
ISSUED



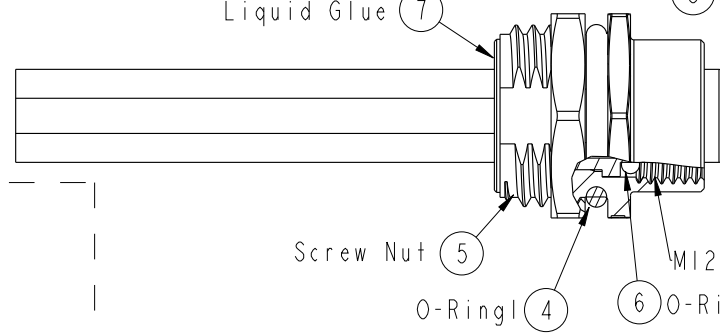
M12S-04PFFS-SH8CXX

XX: 150~1500mm
15: 150mm
30: 300mm
50: 500mm
A0: 1000mm
A5: 1500mm
Wire Length(L): 150~1500mm

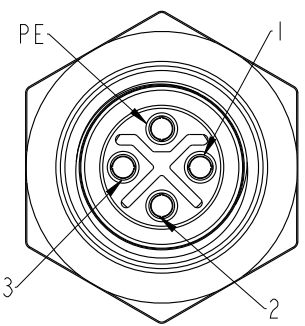
Wire Harness (8)~(11)

M16*1.5
① Connector
② Female Pin
③ Shield

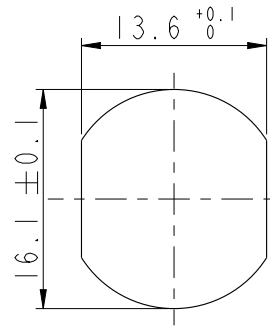
Liquid Glue (7)



- Note:
- * \varnothing Important Dimension.
 - * Waterproof Rate: IP68.
 - IP68: 1M Depth Of Water In 24hours.
 - * Housing: PA66, UL94V-0, Black.
 - * Female Pin: Copper Alloy, Gold Plated.
 - * Shield: Zinc Alloy, Nickel Plated.
 - * Panel Nut: Zinc Alloy, Nickel Plated.
 - * O-Ring1: Viton, Black.
 - * O-Ring2: Viton, Green.
 - * Wire Harness: UL1015 16AWG (1.5mm²).
 - * Rated Voltage: 630V AC.
 - * Rated Current at 40°C: 12A
 - * Operation Temperature: -40~85°C.
 - * For Panel Thickness Max 4.5mm.
 - * Nut Torque: 4-6 Kgf.cm (0.4~0.6N.m).
 - * Wire harness Tolerance: 150~300 ±15mm
301~1000 ±20mm
Over1000 ±40mm



Pin Assignment
Front View



Recommended
Panel Cut-Out

PE	Black	黑
3	Blue	藍
2	White	白
1	Brown	棕
Conn.	Wire Color	
	Pin Out	

UNIT: mm

TOLERANCE	
.X	±0.25
.XX	±0.1
.XXX	±0.05
ANGLES	±1°

TITLE			
M12 S-Code 4Pin Female Type			
SCALE	2:1	SIZE	A4
REV.	A	WC-REV.	A.1
SHEET 1 OF 1			
☉: Inspection item			

Amphenol LTW
安費諾亮泰企業股份有限公司

ITEM NO.	DRAWN BY	DATE
	Cary	2015-09-09
DWG NO.	CHECKED BY	DATE
M12S-04PFFS-SH8CXX	Yu Long	2015-09-09
CUSTOMER	APPROVED BY	DATE
ALTW	Jerry	2015-09-09