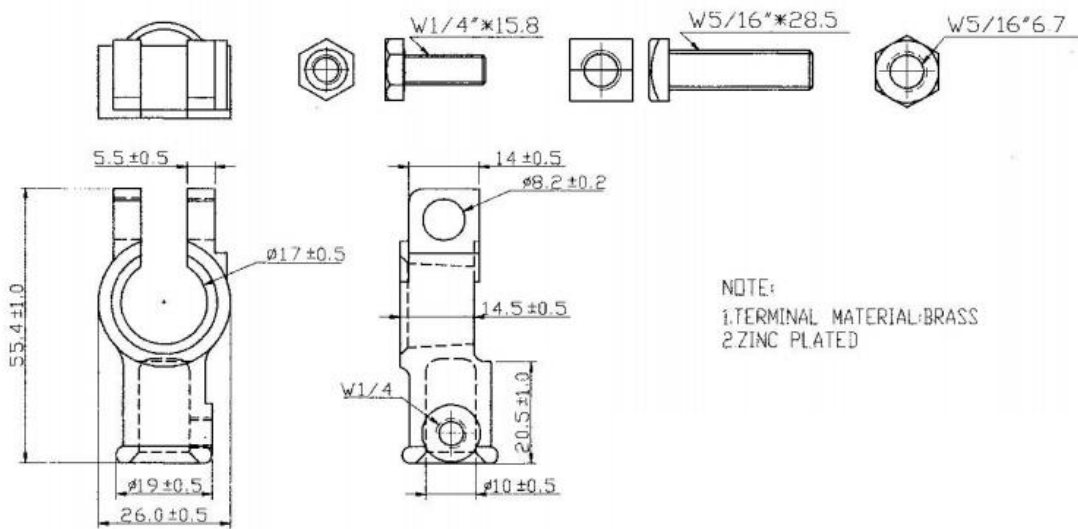


# Datasheet

## Size 1 lead acid battery terminal

RS Stock number [509-7627](#)

### Dimensions: (mm)



NOTE:  
1. TERMINAL MATERIAL: BRASS  
2. ZINC PLATED

## Specification

- Terminal Material: Brass
- Zinc Plated
- Mounting Type: Screw