
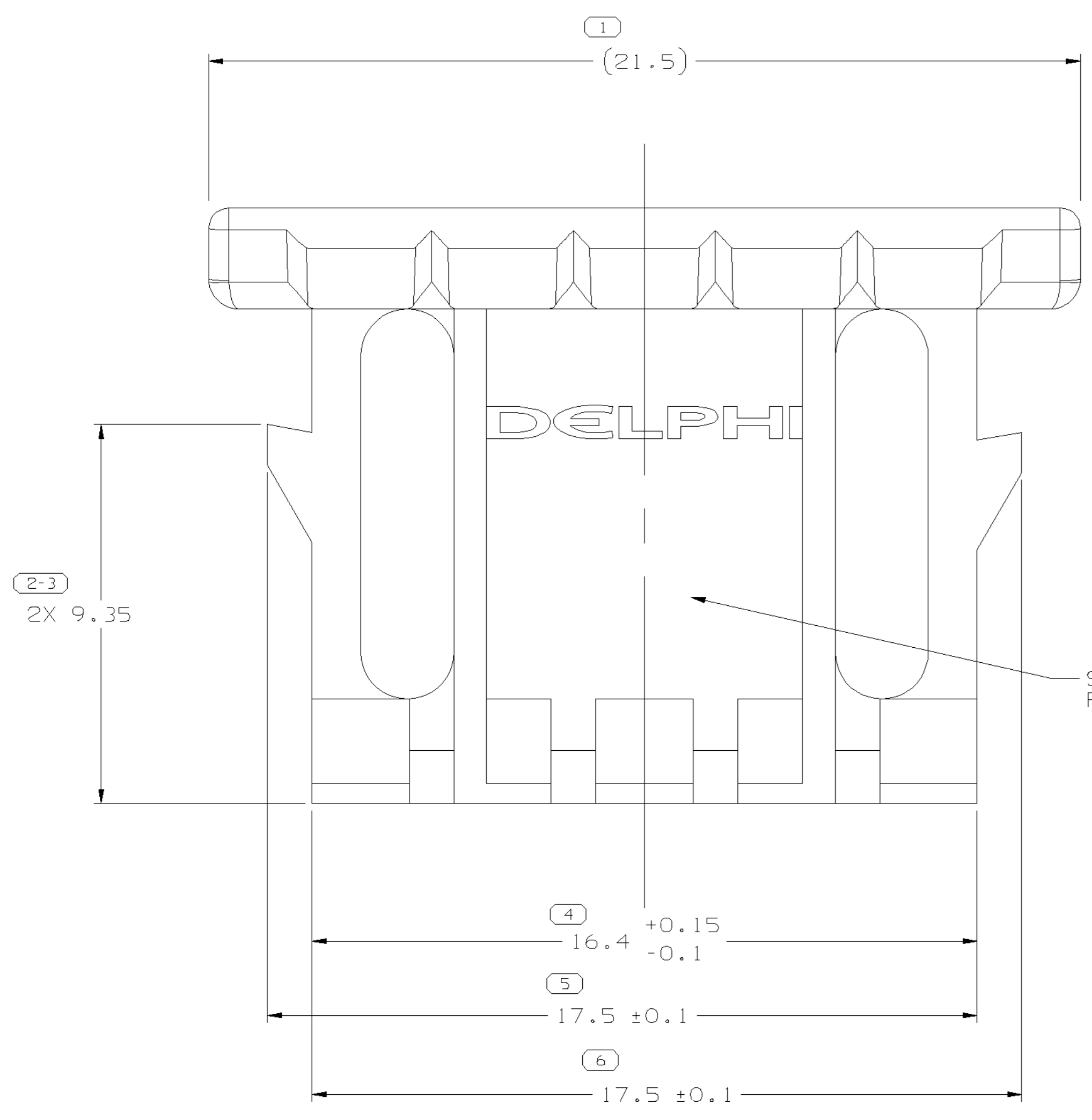
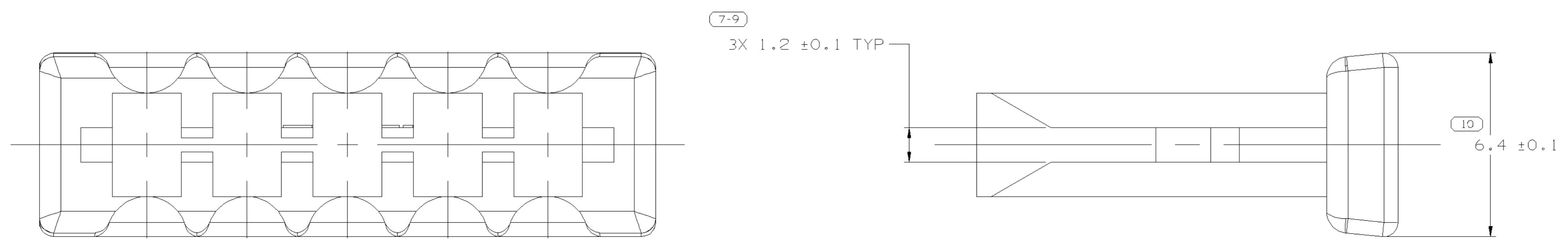


SYMBOL DEFINITION		MISSING NUMBERS	
THE NUMBER INSIDE THE SYMBOL  CORRESPONDS TO THE NUMBER ON THE INSPECTION REPORT FOR THIS DRAWING/PART NUMBER	TOTAL NO. OF SYMBOLS ON DRAWING	7	
	LAST NO. USED	10	



DWG STATUS					ZONE	REVISION HISTORY			AUTH	DR	APVD1	APVD2
DATE	STG	REV	N/P	CHG								
14MR02	R	01	-	-		ALL PARTS - ADDED DELPHI LOGO & MATERIAL RECYCLING CODE NOTES AND REVISED MATERIAL SPEC			222523	HH	EOV	GMC

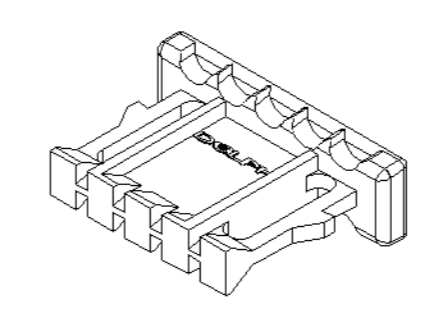


SEE CHART FOR MATERIAL RECYCLING CODE 

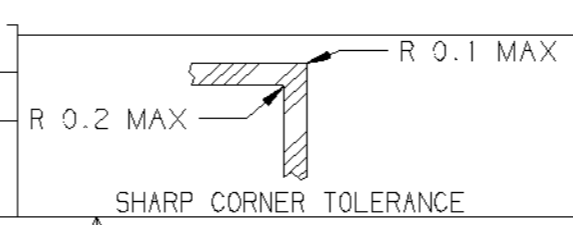


**NOTES**

- UNLESS OTHERWISE SPECIFIED AND/OR INDICATED: DIMENSIONS ARE TO FACE OF VIEW SHOWN AND AUTOMATICALLY ROUNDED BY COMPUTER FOR INSPECTION. (SEE MATH MODEL FOR PRECISE DIMENSIONS.) FOR ALL OTHER DIMENSIONS NOT SHOWN BUT REQUIRED FOR TOOL BUILD, SEE MATH MODEL FOR PRECISE TOOL PATH DATA. PART IS SYMMETRIC ABOUT ITS CENTERLINE.
- MATING COMPONENTS OR EQUIVALENT: CONNECTOR 12064770
-  MATERIAL RECYCLING CODE PER SAE J1344. (2.3)X(0.1) RAISED CHARACTERS AS SHOWN TO BE LOCATED ON ANY EXTERIOR SURFACE. OPTIONAL CONSTRUCTION TO BE NO MATERIAL RECYCLING CODE.
-  (2.3)X(0.1) RAISED DELPHI CORPORATE BRAND TO BE LOCATED ON ANY EXTERIOR SURFACE, PREFERABLY VISIBLE AT FINAL ASSEMBLY. OPTIONAL CONSTRUCTION TO BE "PED" OR NO LOGO.



15324082	A2	-	M3592012 PA66 HS IM GRA LT	PA66	0.565	
12064772	D4	-	M4695002 PBT BLK	PBT	0.565	
PART NO	REV	N/P	STATUS	MATERIAL SPECIFICATION & COLOR	MAT'L RECYCLING CODE	VOL CM <sup>3</sup>



DIMENSIONAL RANGE (MM)		TOLERANCE UNLESS OTHERWISE SPECIFIED		ANGULAR TOLERANCE ±2°	
FROM	TO	±0.15	±0.2	±0.3	±0.4
>0	>20	±0.3	±0.4	±0.5	±0.6
>20	>30	±0.4	±0.5	±0.6	±0.8
>30	>70	±0.5	±0.6	±0.8	±1
>70	>100	±0.6	±0.8	±1	±1.2
>100	>150	±0.8	±1	±1.2	
>150	>200	±1	±1.2		
>200	>250				
>250	>300				
>300	>400				

DWG TYPE		PART DRAWING	
STYLE			
VOLUME (CM <sup>3</sup> )	DISTR CODE		
SEE CHART	D		
ROUTING	6900		
UNLESS OTHERWISE SPECIFIED			
THIS DOCUMENT IS IN ACCORDANCE WITH ASME Y14.5M-1994 AND AMENDMENTS 1-1997, 2-1998, 3-1998, 4-1998, 5-1998, 6-1998, 7-1998, 8-1998, 9-1998, 10-1998, 11-1998, 12-1998, 13-1998, 14-1998, 15-1998, 16-1998, 17-1998, 18-1998, 19-1998, 20-1998, 21-1998, 22-1998, 23-1998, 24-1998, 25-1998, 26-1998, 27-1998, 28-1998, 29-1998, 30-1998, 31-1998, 32-1998, 33-1998, 34-1998, 35-1998, 36-1998, 37-1998, 38-1998, 39-1998, 40-1998, 41-1998, 42-1998, 43-1998, 44-1998, 45-1998, 46-1998, 47-1998, 48-1998, 49-1998, 50-1998, 51-1998, 52-1998, 53-1998, 54-1998, 55-1998, 56-1998, 57-1998, 58-1998, 59-1998, 60-1998, 61-1998, 62-1998, 63-1998, 64-1998, 65-1998, 66-1998, 67-1998, 68-1998, 69-1998, 70-1998, 71-1998, 72-1998, 73-1998, 74-1998, 75-1998, 76-1998, 77-1998, 78-1998, 79-1998, 80-1998, 81-1998, 82-1998, 83-1998, 84-1998, 85-1998, 86-1998, 87-1998, 88-1998, 89-1998, 90-1998, 91-1998, 92-1998, 93-1998, 94-1998, 95-1998, 96-1998, 97-1998, 98-1998, 99-1998, 100-1998.			
THIRD ANGLE PROJECTION			
DO NOT SCALE			
USE MATH DATA			

**DELPHI**  
DELPHI PACKARD ELECTRIC SYSTEMS  
WARREN, OH

DR	DATE
APVD1 H. HERNANDEZ	11JN98
APVD2 G. MACIAS	11JN98
APVD3	
APVD4	
APVD5	

SUBSTANCES OF CONCERN AND RECYCLED CONTENT PER DELPHI 10949001

MATERIAL SEE CHART

DRAWING NAME TAXI TPA M/P 150

DRAWING NUMBER 15324459

SIZE A1	SCALE 10:1	FRAME NO 1 OF 1	SHEET NO 1 OF 1	STG R	REV 01	N/P -
---------	------------	-----------------	-----------------	-------	--------	-------