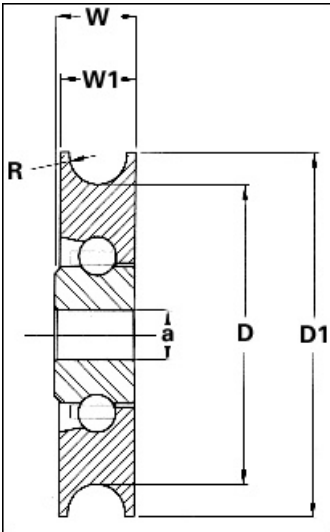




General information for standard product range		
Prefixes	AC	Caged
	AF	Full complement
	AIB	Inserted steel bearing
	CM	Caged, machined
	ACS	Steel inner race
	DA	Skate wheel, double row
	SW	Skate wheel, single row
	ACH	Caged, hexagonal bore
	FT	Thrust washer
Suffixes	DR	Double row
	P	Pulley
	C	Conveyor
	W	Wheel
Materials		
Races:	Unless indicated as being Polypropylene (PP), all races are produced from Acetal	
Balls:	Products can be supplied with the following balls:	
	- Stainless steel	
	- Carbon Steel	
	- Glass	
	See individual product group for type of balls used	

pulleys : light duty									
Reference	a	b	c	d	e	g*	r	capacity (kg)	capacity (lbs)
AF4P22 ss420	3/16"	7/8"	3/4"	.300"	.725"		0.80*	14	31
AF4P28 ss420	6.6	28	11.6	9	21		2.4	16	35
AC6MP39 ss420	6.1	39	12	12	34.5		2.5	18	40
AF4P32	6.5	32	9.3	8.7	25.4		3.2	15	33
ACS5MP38	5	38	9.5	8	31		3	20	44
AF6.5MP45	6.5	45	11	10	38.5		3.3	25	55
AF8MP48	8	48	16	14	32	30*	4	20	44
AC6MP46 ss420	16	48	10	10	41.5		2.65	18	40
AC10MDP75 ss420	10.1	76	20	15	60		4.75	60	132
Balls: as indicated									



conveyor bearings : skate wheels						
Reference	a	b	c	d	capacity (kg)	capacity (lbs)
DA6.5 ss	6.5	49	20.5	16	35	77
DA6.5 cs	6.5	49	20.5	16	35	77
DA8 cs	8	49	20.5	16	35	77
DA8 ss420	8	49	20.5	16	35	77
SW8 cs	8	48.3	20.8	15.8	25	55
SW8 ss420	8	48.3	20.8	15.8	25	55
Balls: as indicated						

