

DETAILS

Product Number	C12598_LENINA-M
Family	Lenina
Type	Reflector
Color	metal
Diameter	mm
Height	mm
Style	round
Optic Material	PC
Holder Material	
Fastening	
Status	ready
ROHS Compliant	Yes
Date Updated	10/03/2015



OPTICAL PROPERTIES

LED	Viewing	Light	Effi-		Connector
	Angle	Beam	ciency	cd/lm	
CXA/B 30xx	sim: 28	Medium	sim: 89 %	sim: 2.400	IDEAL: 50-2234C + Lena(50-2100LN)
Soleriq P13	23 deg	Medium	91 %	2.950	IDEAL: 50-2101CR + Lena(50-2100LN)
Unknown	35 deg	Medium	90 %	1.800	IDEAL: 50-2204-CT + Lena(50-2100LN)
CLL04x/CLU044	35 deg	Medium	90 %	1.800	IDEAL: 50-2204-CT + Lena(50-2100LN)
CLL04x/CLU044	36 deg	Medium	83 %	1.600	A.A.G. STUCCHI: 8102/G2 + S-8000/12

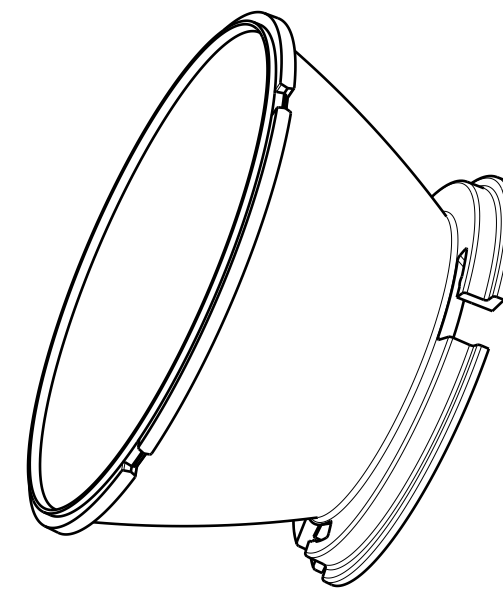
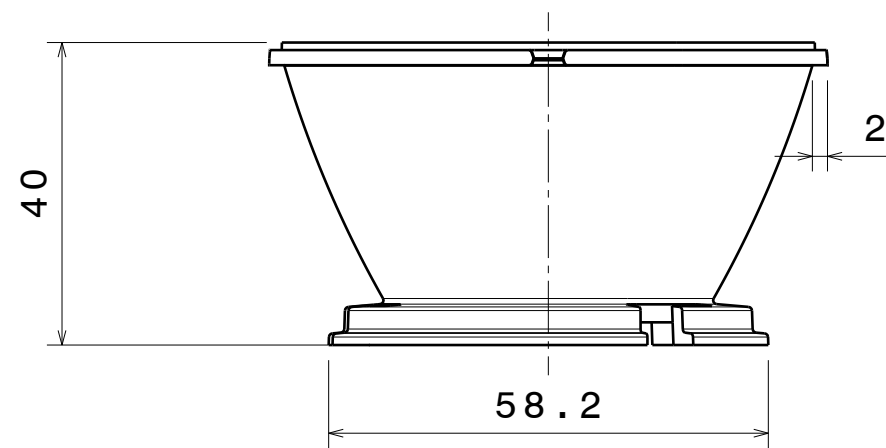
This drawing applies to:

C12597_LENINA-S

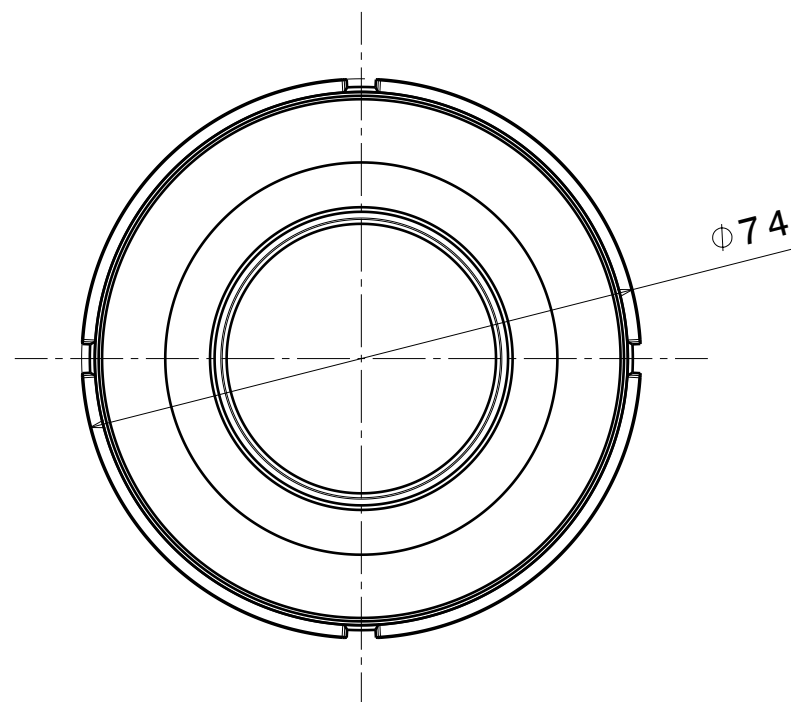
C12598_LENINA-M

C12599_LENINA-W

C12958_LENINA-XW



Isometric view



INDEX	PART NO	DESCRIPTION
1	Lenina-reflector	PC

Tolerances if not otherwise shown
 According to DIN ISO 2768-1
 Linear measures:
 Up to 30mm class M, otherwise class C.
 According to DIN ISO 2768-2
 Form and position: class L



Ledil Oy
 Salorankatu 10
 FIN 24240 SALO
 Finland

THIRD ANGLE PROJECTION:

DRAWING TITLE
LENINA_datasheet

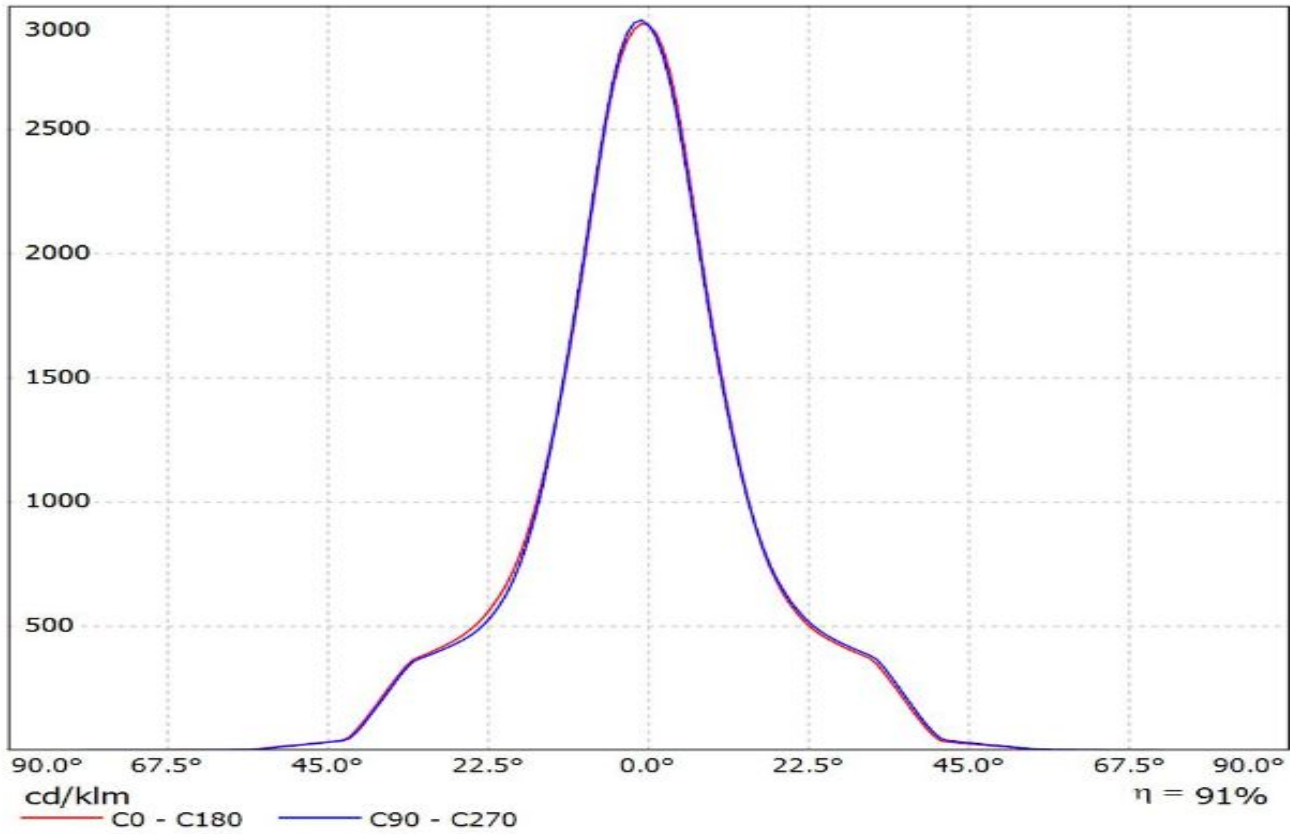
This drawing is the property of LEDiL Oy. It may not be reproduced, copied or communicated without a written agreement with LEDiL Oy."

SIZE	PART NUMBER	
A3	-	

SCALE	1:1	WEIGHT	-	SHEET	1/1
-------	-----	--------	---	-------	-----

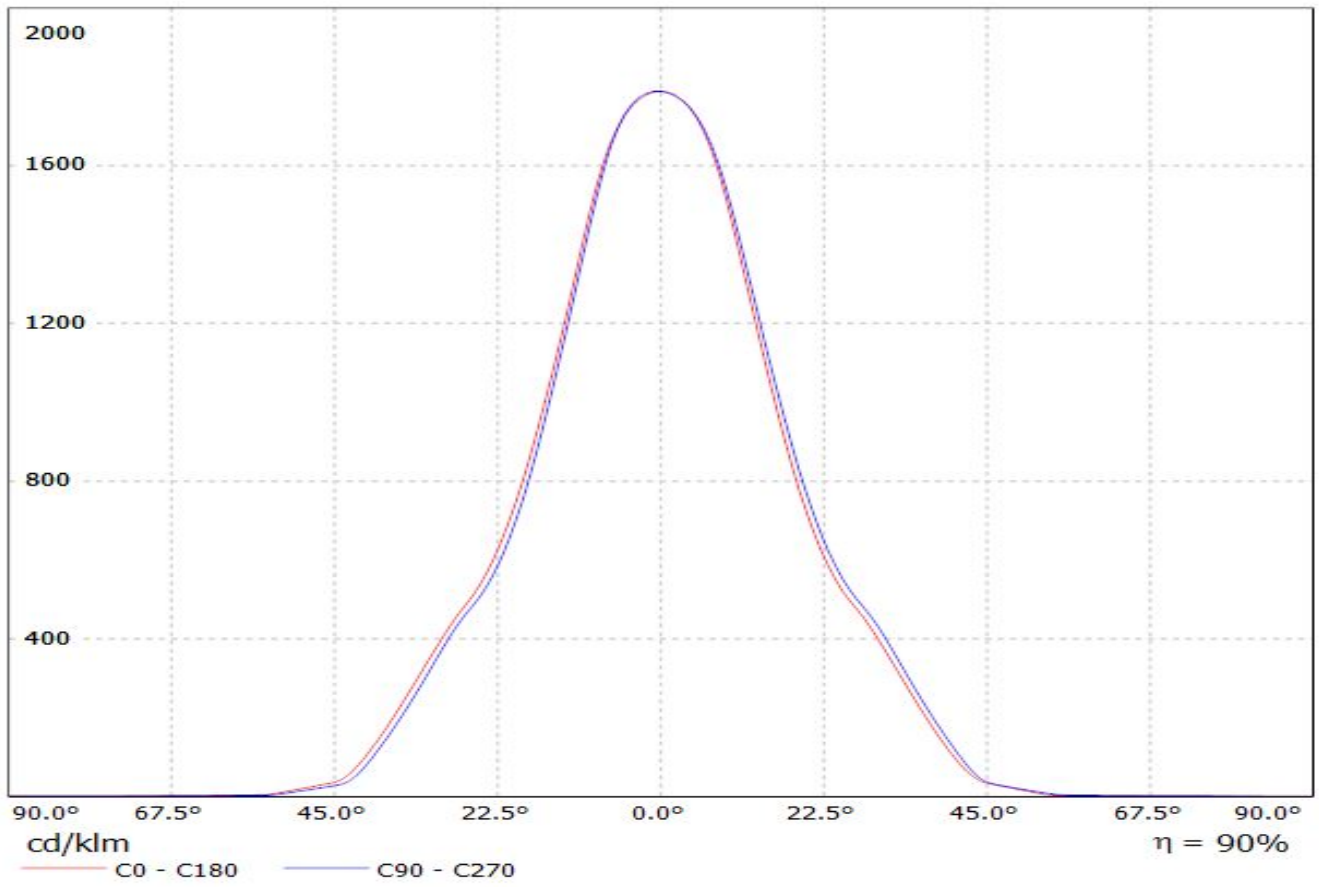
Luminaire: LEDiL Oy C12598_LENINA-M_(SOLERIQ_P13)

Lamps: 1 x SOLERIQ_P13_(GW_MAGMB1.EM)_1018.49lm@250mA_CCT=3000K_P=8.79046W_I=249.8mA

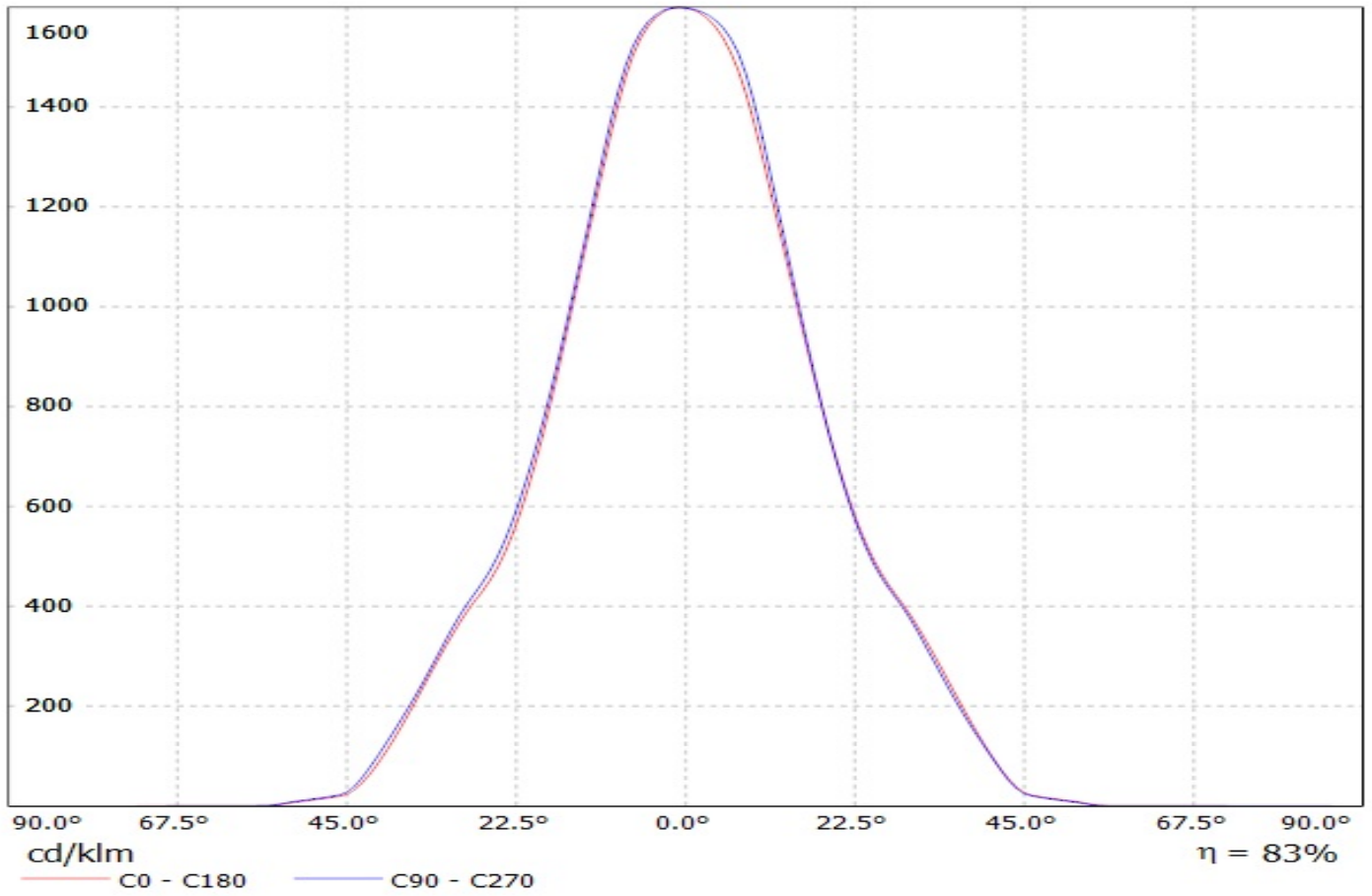


Luminaire: LEDiL Oy C12598_LENINA-M_(CLL040)

Lamps: 1 x Citizen_CLL040_(CLL040-1218A-50KL1A1)_1158.48lm@250mA_P=8.26844W_I=249.9mA

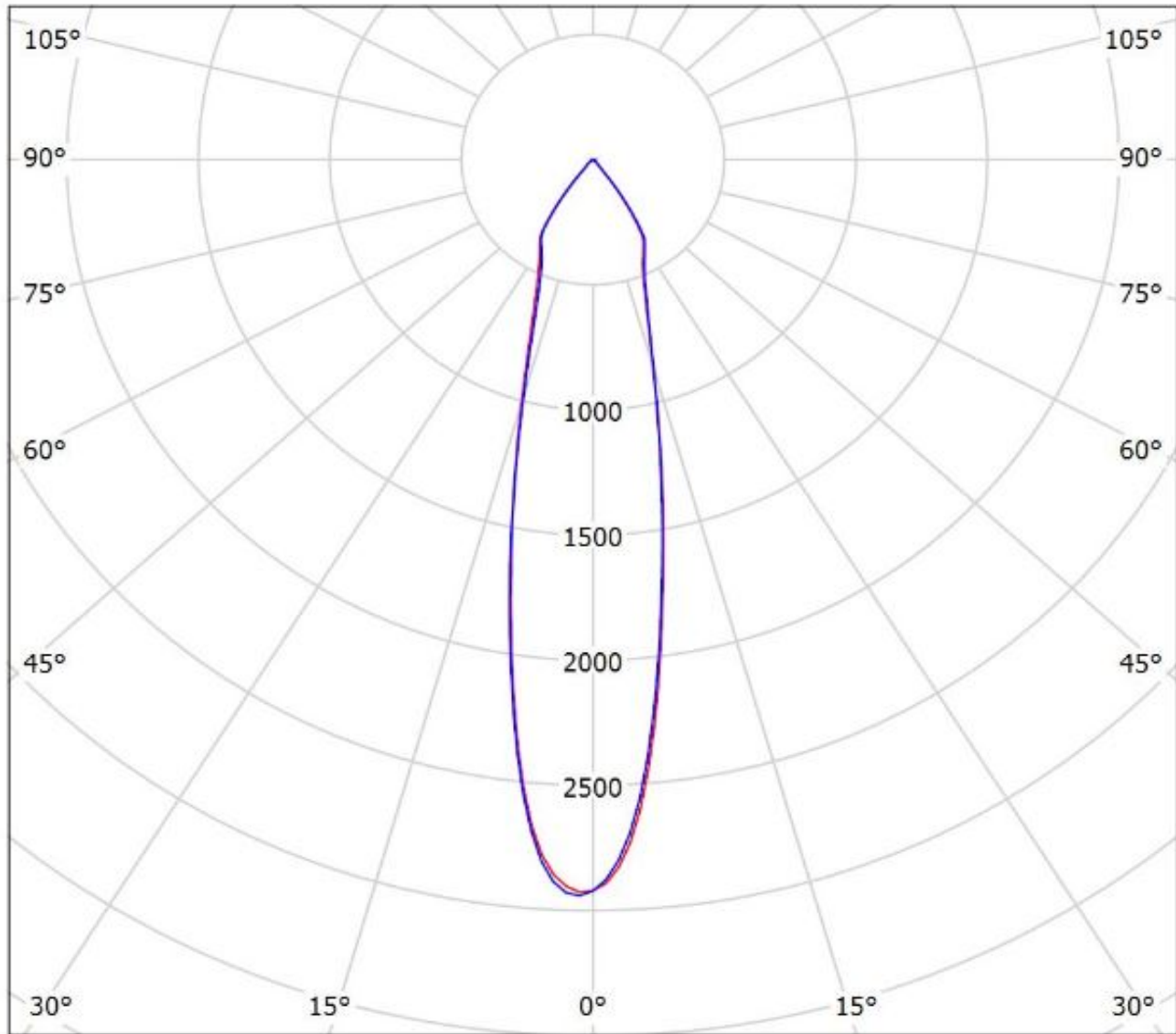


Luminaire: LEDiL Oy C12598_LENINA-M_(CLU044_+_8102-G2_+_S-8000-12)
Lamps: 1 x Citizen_CLU044_(1212B8-303M1A2)_546.982lm@100mA_P=3.2W_I=0.1A



Luminaire: LEDiL Oy C12598_LENINA-M_(SOLERIQ_P13)

Lamps: 1 x SOLERIQ_P13_(GW_MAGMB1.EM)_1018.49lm@250mA_CCT=3000K_P=8.79046W_I=249.8mA



cd/klm

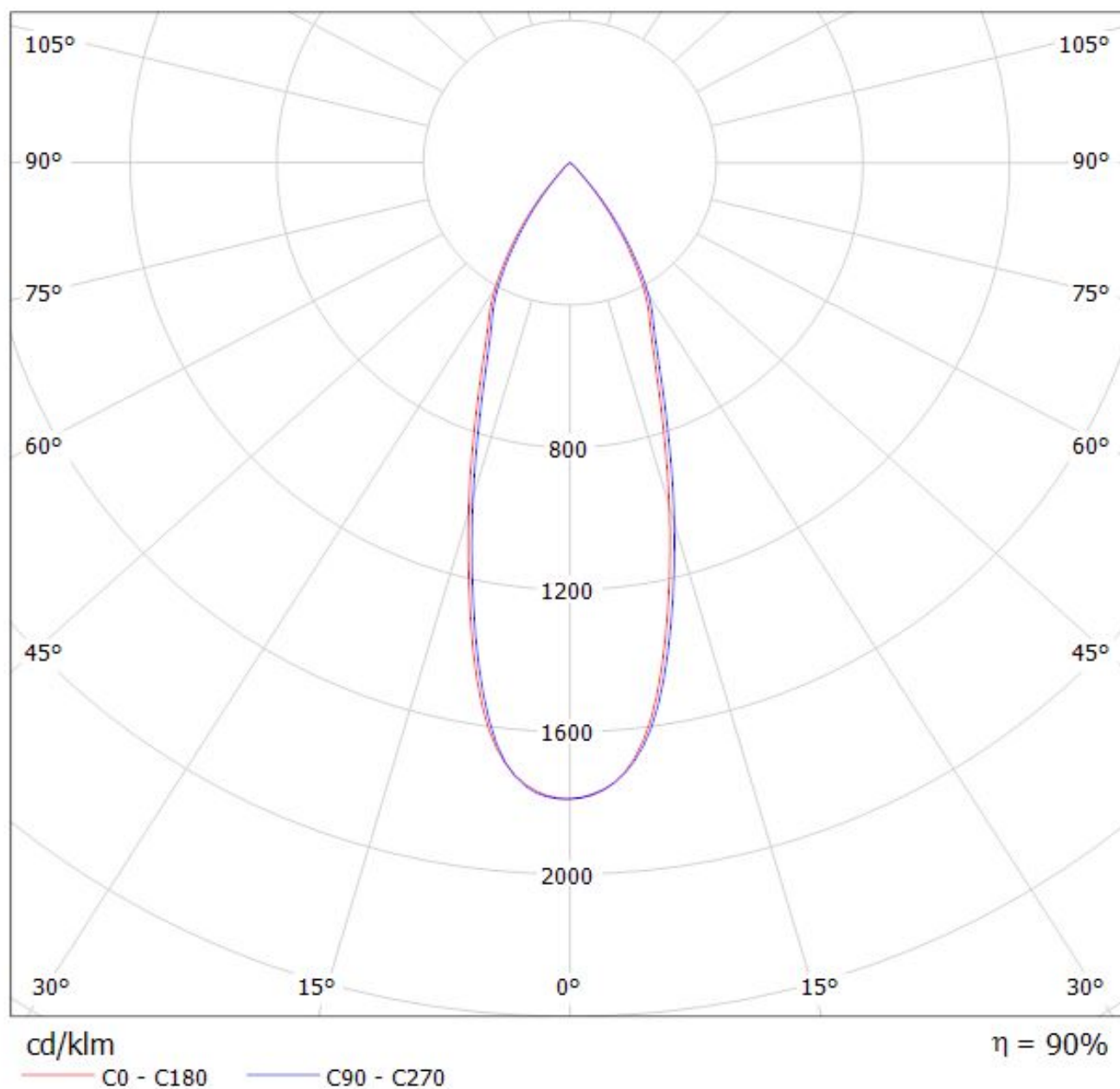
— C0 - C180

— C90 - C270

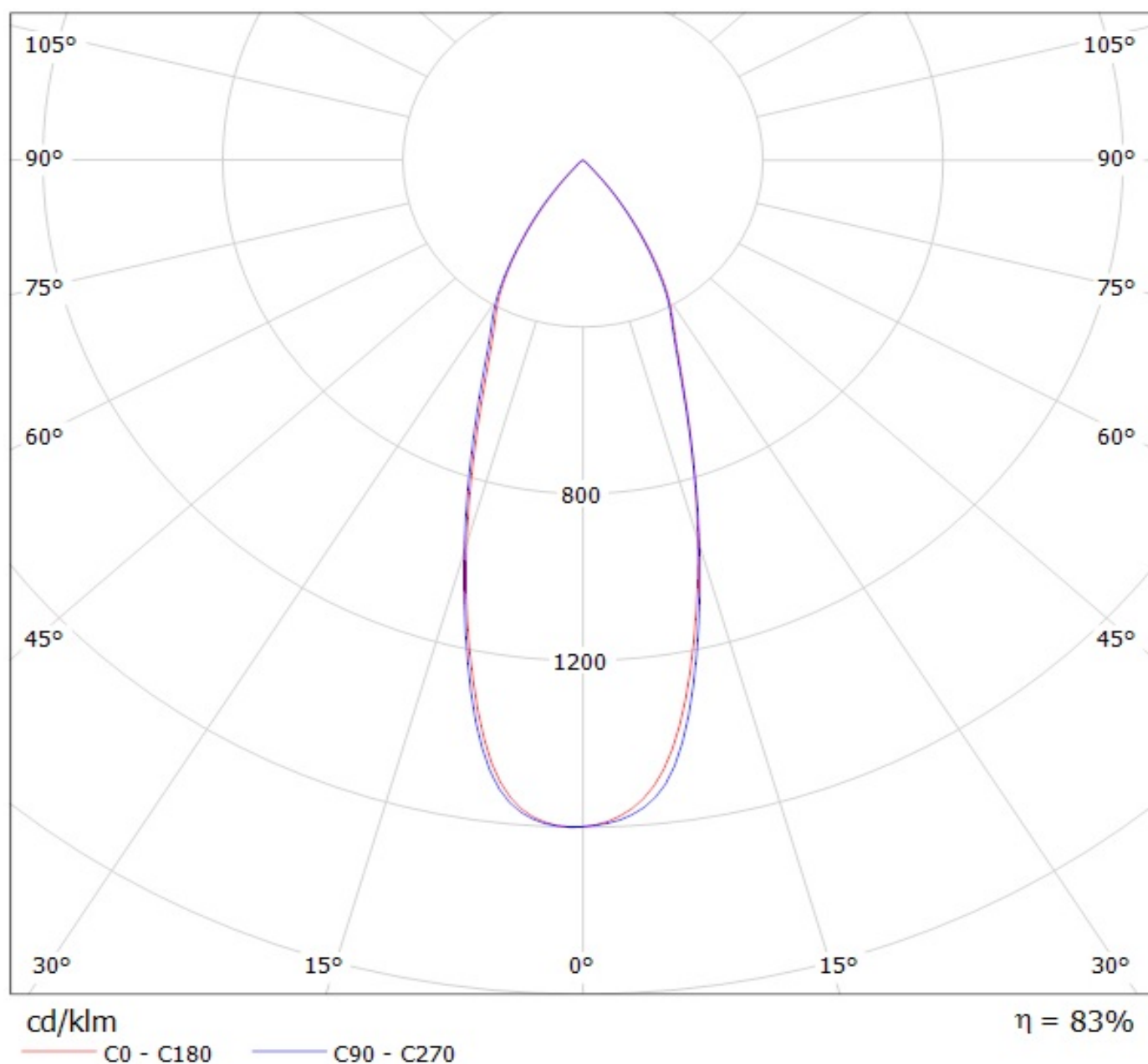
$\eta = 91\%$

Luminaire: LEDiL Oy C12598_LENINA-M_(CLL040)

Lamps: 1 x Citizen_CLL040_(CLL040-1218A-50KL1A1)_1158.48lm@250mA_P=8.26844W_I=249.9mA



Luminaire: LEDiL Oy C12598_LENINA-M_(CLU044+_8102-G2+_S-8000-12)
Lamps: 1 x Citizen_CLU044_(1212B8-303M1A2)_546.982lm@100mA_P=3.2W_I=0.1A



NOTE: The typical divergence will be changed by different color, chip size and chip position tolerance. The typical total divergence is the full angle measured where the luminous intensity is half of the peak value.

GENERAL INFORMATION

- Product series especially designed & optimized for series of LEDs.
- Special care taken to make light distribution as uniform as possible.
- Reflector is made of aluminium coated PC (120 degrees of Celcius / 248 degrees of Fahrenheit) with protective lacquer (short term 100 degrees of Celcius / 212 degrees of Fahrenheit).

Note! Due to use of high power COB's with this product, special attention to proper thermal design is highly recommended. LEDiL has no liability for direct, indirect or consecutive damages arising from the LEDiL products being used outside of the recommended temperature range.