

# Product datasheet

Specifications



## inductive sensor XS4 M12 - L52mm - PPS - Sn4mm - 24..240VAC/DC - M12 0.8m

XS4P12MA230LD

! Discontinued on: 01 November 2020

! Discontinued

XS4P12MA230LD has not been replaced. Please contact your customer care centre for more information.

### Main

Range of product	Telemecanique Inductive proximity sensors XS
Series name	General purpose
Sensor type	Inductive proximity sensor
Sensor name	XS4
Sensor design	Cylindrical M12
Size	52 mm
Body type	Fixed
Detector flush mounting acceptance	Non flush mountable
Material	Plastic
Type of output signal	Discrete
Wiring technique	2-wire
[Sn] nominal sensing distance	4 mm
Discrete output function	1 NO
Output circuit type	AC/DC
Electrical connection	Remote male connector M12, 4 pins
Cable length	0.8 m
[Us] rated supply voltage	24...240 V AC/DC 50/60 Hz
Switching capacity in mA	5...200 mA AC/DC
IP degree of protection	IP67 conforming to IEC 60529

### Complementary

Thread type	M12 x 1
Detection face	Frontal
Front material	PPS
Enclosure material	PPS
Operating zone	0...3.2 mm
Differential travel	1...15% of Sr

Status LED	Output state: 1 LED (yellow)
Supply voltage limits	20...264 V AC/DC
Maximum residual current	0.6 mA open state
Switching frequency	<= 25 Hz AC <= 3000 Hz DC
Maximum voltage drop	<5.5 V (closed)
Maximum delay first up	40 ms
Maximum delay response	0.2 ms
Maximum delay recovery	0.2 ms
Marking	CE
Threaded length	42 mm
Length	52 mm
Net weight	0.065 kg

## Environment

Product certifications	CSA CCC UL
Ambient air temperature for operation	-25...70 °C
Ambient air temperature for storage	-40...85 °C
Vibration resistance	25 gn amplitude = +/- 2 mm (f = 10...55 Hz) conforming to IEC 60068-2-6
Shock resistance	50 gn for 11 ms conforming to IEC 60068-2-27

## Packing Units

Unit Type of Package 1	PCE
Number of Units in Package 1	1
Package 1 Weight	74.0 g
Package 1 Height	4.5 cm
Package 1 width	8.2 cm
Package 1 Length	13.3 cm
Unit Type of Package 2	BAG
Number of Units in Package 2	1
Package 2 Weight	74.0 g
Package 2 Height	1.2 cm
Package 2 width	20 cm
Package 2 Length	15 cm

## Offer Sustainability

Sustainable offer status	Green Premium product
REACH Regulation	<a href="#">REACH Declaration</a>
EU RoHS Directive	Pro-active compliance (Product out of EU RoHS legal scope) <a href="#">EU RoHS Declaration</a>
Mercury free	Yes
RoHS exemption information	<a href="#">Yes</a>
Environmental Disclosure	<a href="#">Product Environmental Profile</a>

---

### Contractual warranty

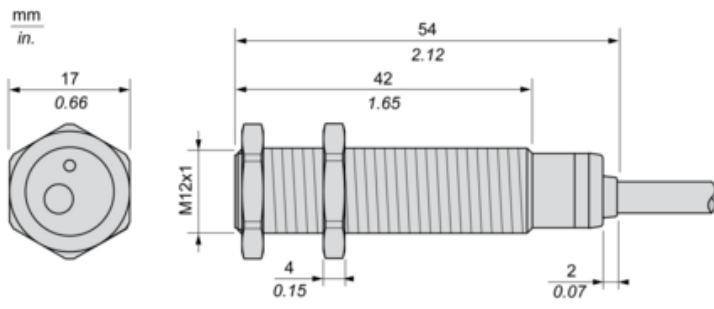
---

Warranty	18 months
----------	-----------

---

Dimensions

---



**Minimum Mounting Distances**

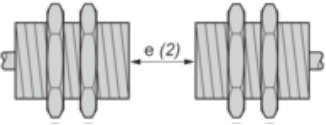
---

Side by side



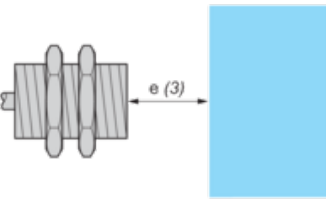
**e (1) ≥ 16 mm/0.63 in.**

Face to face



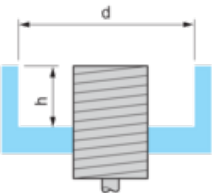
**e (2) ≥ 48 mm/1.89 in.**

Facing a metal object



**e (3) ≥ 12 mm/0.47 in.**

Mounted in a metal support



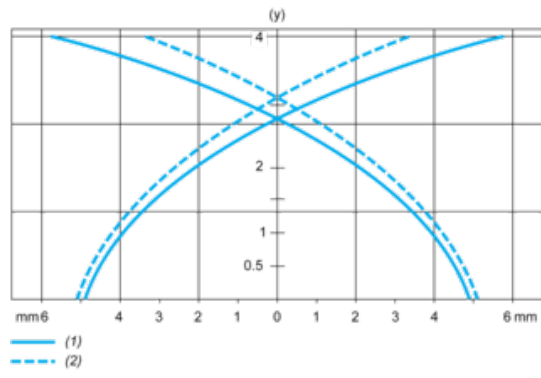
**d ≥ 36 mm/1.42 in.**

**h ≥ 8 mm/0.31 in.**

Performance Curves

---

Standard Steel Target : 12x12x1 mm



- (1) Pick-up points
- (2) Drop-out points (object approaching from the side)
- (y) Sensing distance in mm