



Fall Protection

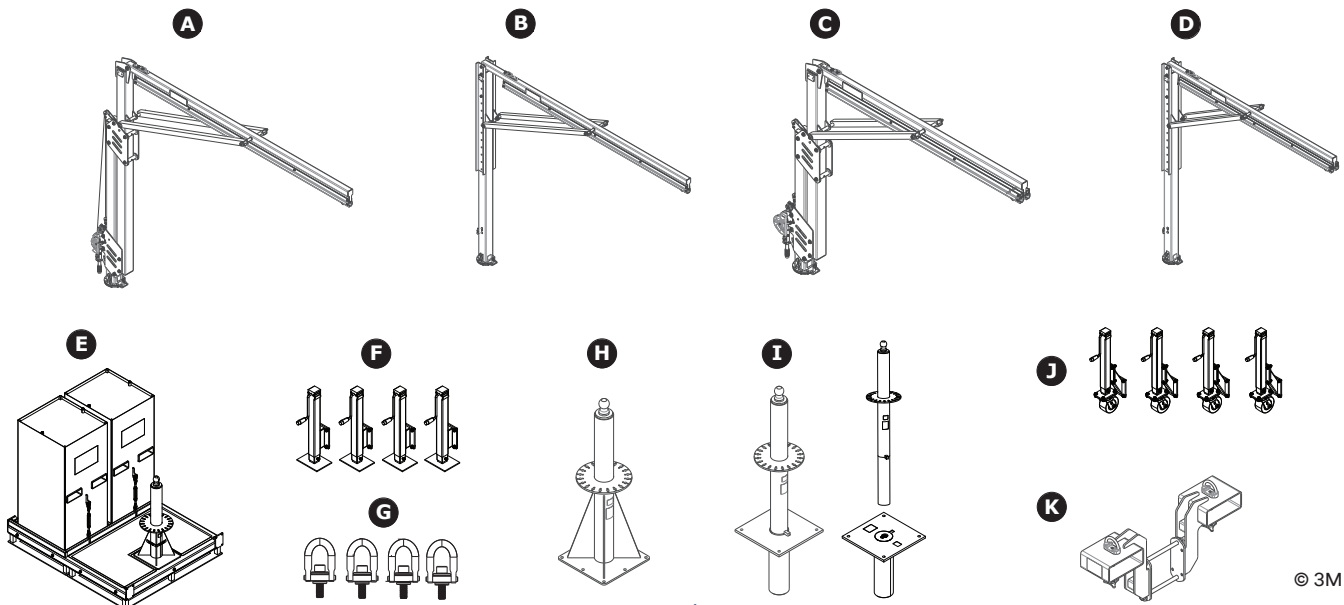


OSHA

**3M™ DBI-SALA® Flexiguard™
Modular Jib Systems
M200**

**Technical Data Sheet Pack
5908526 Rev. C**

Callout	Technical Data Sheet	Description	Page
A	8530891	12.3 ft.–15 ft. (3.8 m–4.6 m) Jib Arm Adjustable	2
	8530892	14.8 ft.–20 ft. (4.5 m–6.1 m) Jib Arm Adjustable	2
	8530893	17.3 ft.–25 ft. (5.3 m – 7.6 m) Jib Arm Adjustable	2
	8530894	19.8 ft.–30 ft. (6.1 m–9.1 m) Jib Arm Adjustable	2
B	8530899	15 ft.–20 ft. (4.6 m–6.1 m) Jib Arm Semi-Fixed	4
	8530900	20 ft.–25 ft. (6.1 m–7.6 m) Jib Arm Semi-Fixed	4
	8530901	25 ft.–30 ft. (7.6 m–9.1 m) Jib Arm Semi-Fixed	4
C	8530895	12.3 ft.–15 ft. (3.8 m–4.6 m) Jib Arm Adjustable	6
	8530896	14.8 ft.–20 ft. (4.5 m–6.1 m) Jib Arm Adjustable	6
	8530897	17.3 ft.–25 ft. (5.3 m–7.6 m) Jib Arm Adjustable	6
	8530898	19.8 ft.–30 ft. (6.1 m–9.1 m) Jib Arm Adjustable	6
D	8530902	15 ft.–20 ft. (4.6 m–6.1 m) Jib Arm Semi-Fixed	8
	8530903	20 ft.–25 ft. (6.1 m–7.6 m) Jib Arm Semi-Fixed	8
	8530904	25 ft.–30 ft. (7.6 m–9.1 m) Jib Arm Semi-Fixed	8
E	8530886	Unfilled Counterweight Base	10
	8530887	Filled Counterweight Base	10
F	8530907	Counterweight Base Jacks	12
G	8530777	Counterweight Base Lifting Rings	12
H	8530888	Floor Mount Base	14
I	8530889, 8530920, 8530921	Flush Mount Base	15
J	8530908	Counterweight Base Wheels	12
K	8530912	Fork Pocket Kit	17



Modular Jib Arm Adjustable

TECHNICAL DATA SHEET: 8530891–8530894




APPLICATION:


The M200 Modular Jib Arm is designed to provide anchorage connection points for a Fall Protection system.

For more information on product installation, refer to the 3M instruction manual for the M200 Jib Arm (5908372).

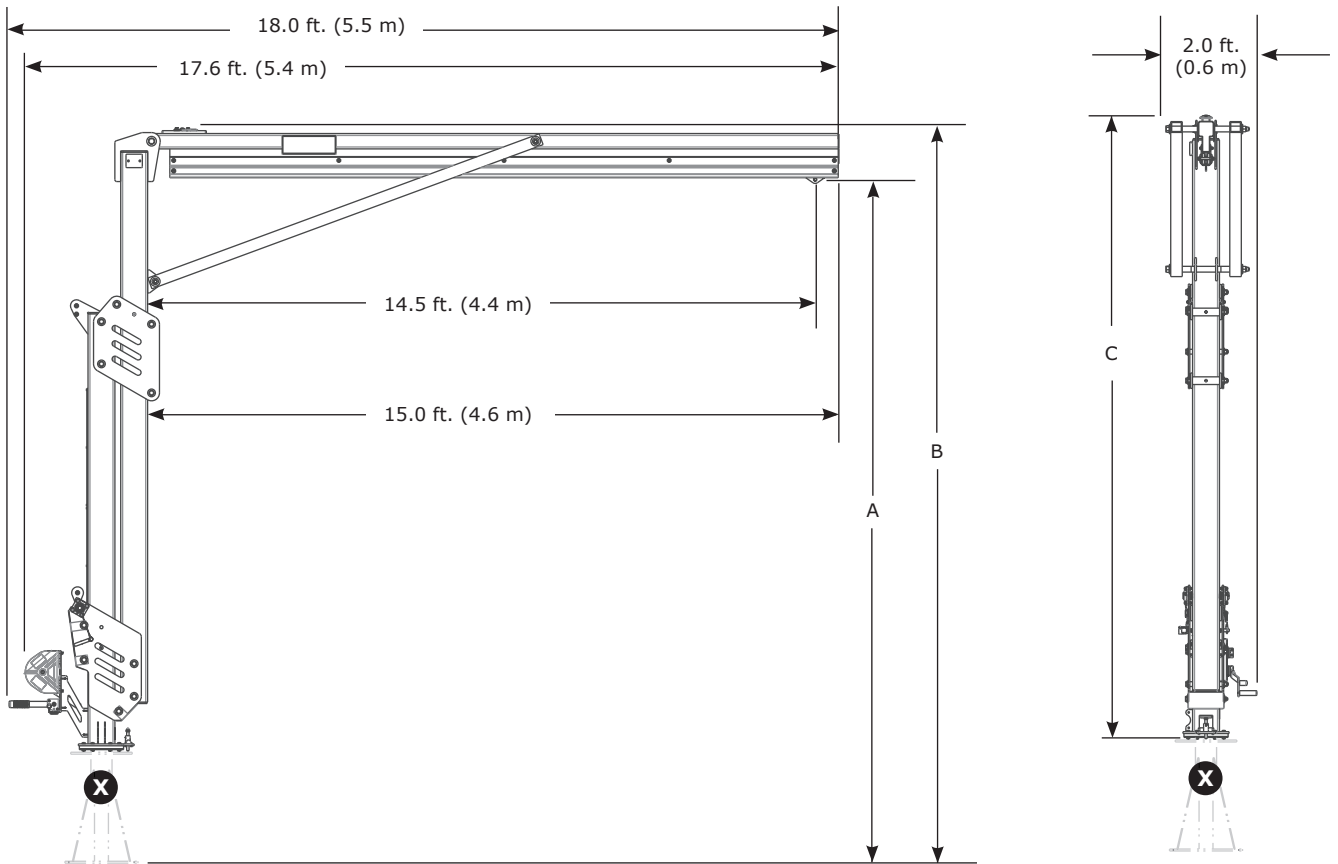
Standards: EN795:2012 Type E, OSHA 1910.140, OSHA 1926.502



≤ 1350 lb.
(6 kN)



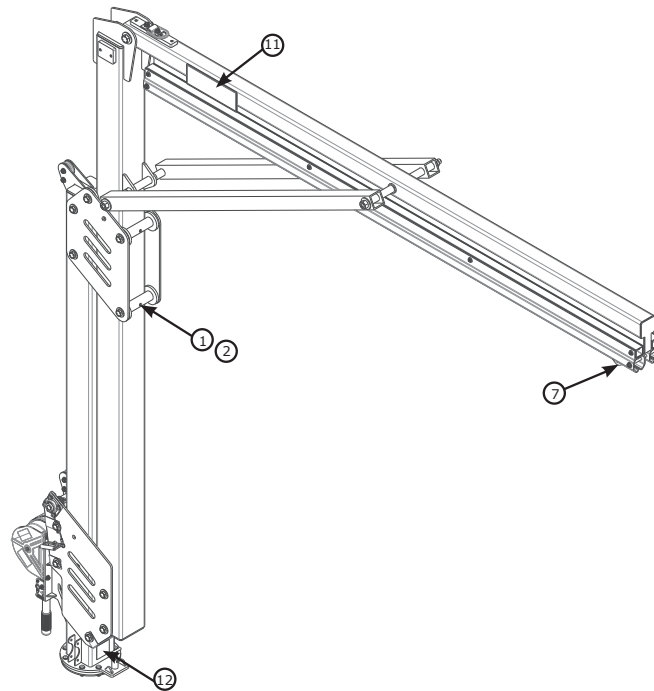
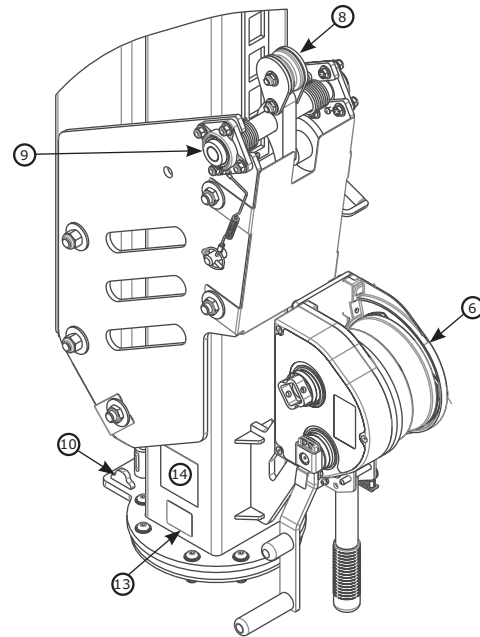
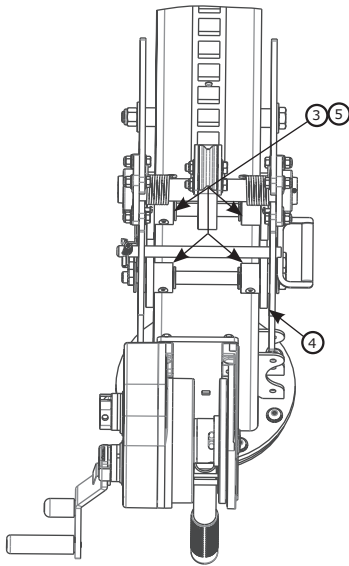
1x ≤ 310 lb.
(140 kg)



	A	B	C	lb. (kg)
8530891	12.3 ft. – 15.0 ft. (3.8 m – 4.6 m)	13.4 ft. – 16.1 ft. (4.1 m – 4.9 m)	9.8 ft. – 14.8 ft. (3.0 m – 4.5 ft.)	945 lb. (429 kg)
8530892	14.8 ft. – 20.0 ft. (4.5 m – 6.1 m)	15.9 ft. – 21.1 ft. (4.8 m – 6.4 m)	13.5 ft. – 18.7 ft. (4.1 m – 5.7 m)	1,057 lb. (479 kg)
8530893	17.3 ft. – 25.0 ft. (5.3 m – 7.6 m)	18.4 ft. – 26.1 ft. (5.6 m – 8.0 m)	16.0 – 23.7 ft. (4.9 m – 7.2 m)	1,169 lb. (530 kg)
8530894	19.8 ft. – 30.0 ft. (6.0 m – 9.1 m)	20.9 ft. – 31.1 ft. (6.4 m – 9.5 m)	18.5 ft. – 28.7 ft. (5.6 m – 8.7 m)	1,281 lb. (581 kg)

Modular Jib Arm Adjustable Components

TECHNICAL DATA SHEET: 8530891-8530894



Component List				
	Part Number	Description	Material	Quantity
①	8550046	Wide Roller	Nylon	4
②	8550047	Wide Roller Spacer	304 Stainless Steel	4
③	8550327	Narrow Roller	Nylon	4
④	9514703	Side Roller	Nylon	12
⑤	8550213	Narrow Roller Spacer	304 Stainless Steel	4
⑥	8549930	Winch	Steel	1
⑦	8521711	Trolley	Steel, Nylon	1

Component List				
	Part Number	Description	Material	Quantity
⑧	8550223	Locking Mechanism (only authorized repair)	Steel, Nylon	1
⑨	9515138	Bearings	Steel	2
⑩	8550125	Rotation Stop	Steel	2
⑪	9515111	3M Label	Polyester	2
⑫	9515101	Rotation Label	Polyester	1
⑬	9514429	ID Label	Polyester	1
⑭	9515112	User Label	Polyester	1

Modular Jib Arm Semi-Fixed

TECHNICAL DATA SHEET: 8530899-8530901

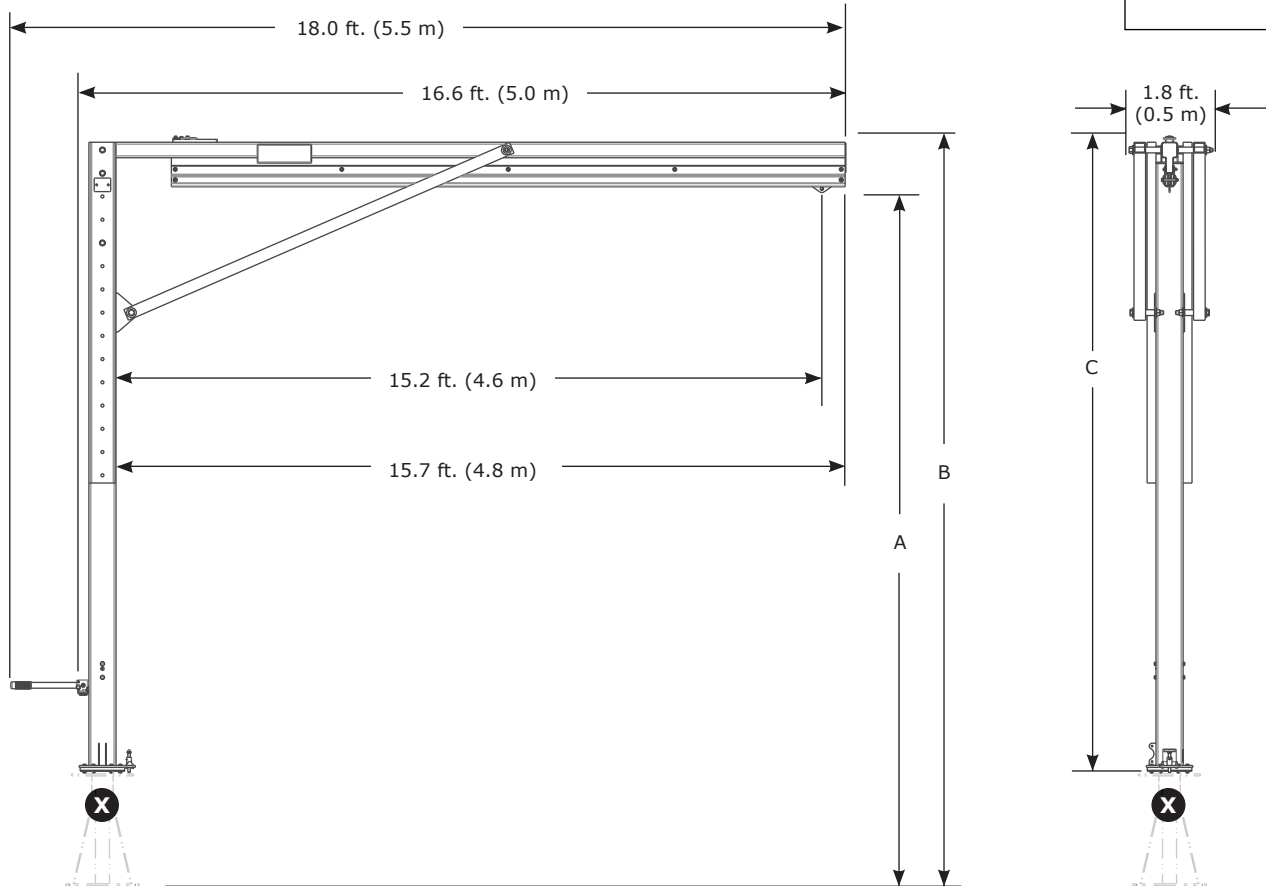
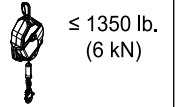


Fall Protection

APPLICATION:

The M200 Modular Jib Arm is designed to provide anchorage connection points for a Fall Protection system. For more information on product installation, refer to the 3M instruction manual for M200 Jib Arm (5908372).

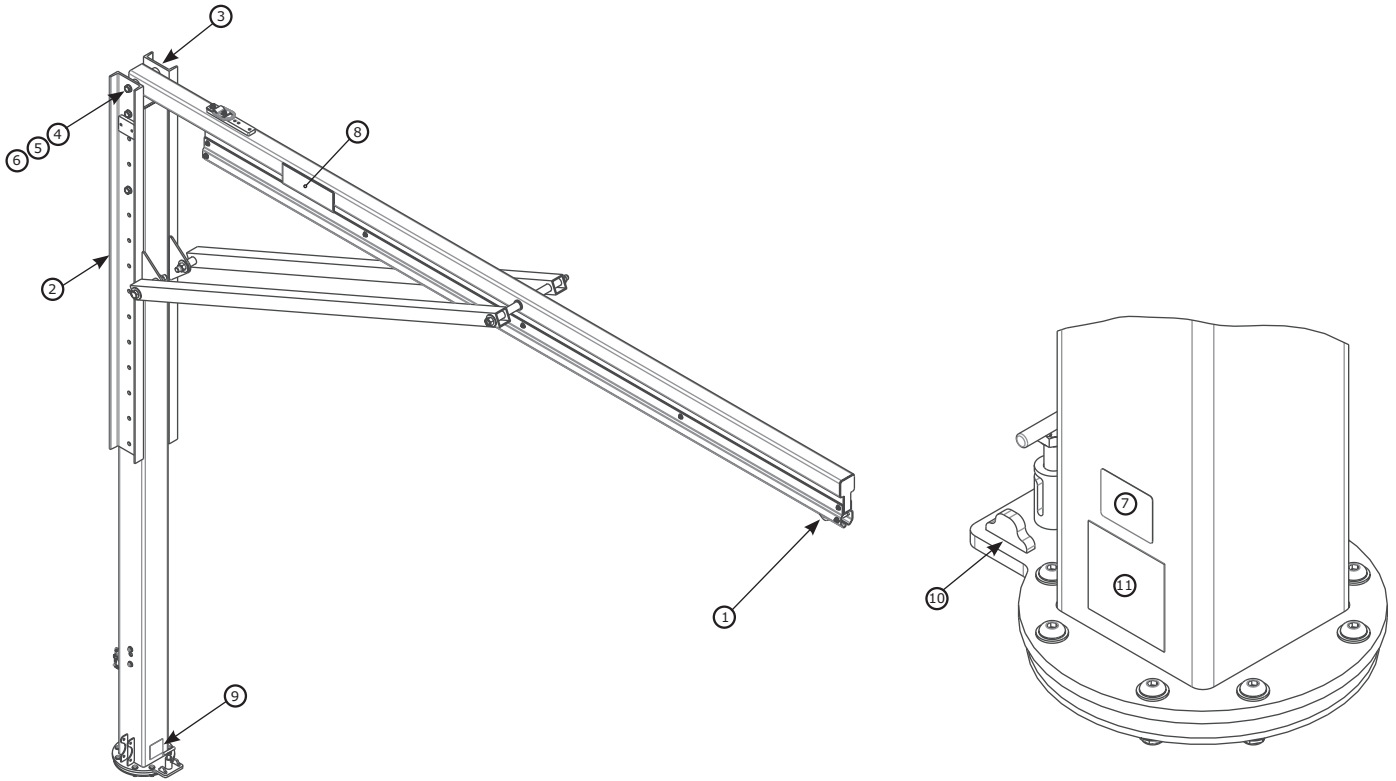
Standards: EN795:2012 Type E, OSHA 1910.140, OSHA 1926.502.



	A	B	C	lb. (kg)
8530899	15.0 ft. – 20.0 ft. (4.6 m – 6.1 m)	16.1 ft. – 21.1 ft. (4.9 m – 6.4 m)	13.7 ft. – 18.7 ft. (4.2 m – 5.7 m)	818 lb. (371 kg)
8530900	20.0 ft. – 25.0 ft. (6.1 m – 7.6 m)	21.1 ft. – 26.1 ft. (6.4 m – 7.9 m)	18.7 ft. – 23.7 ft. (5.7 m – 7.2 m)	930 lb. (422 kg)
8530901	25.0 ft. – 30.0 ft. (7.6 m – 9.1 m)	26.1 ft. – 31.1 ft. (7.9 m – 9.6 m)	23.7 ft. – 28.7 ft. (7.2 m – 8.7 m)	1,041 lb. (472 kg)
+6" (152 mm) adjustment increments				

Modular Jib Arm Semi-Fixed Components

TECHNICAL DATA SHEET: 8530899-8530901



	Part Number	Description	Material	Quantity
①	8521711	Trolley	Stainless Steel, Steel, Nylon	1
②	8549933	Rescue Mount Channel	Steel	1
③	8550248	Channel	Steel	1
④	8526654	3/4" x 9" Bolt	Steel	2
⑤	8522275	3/4" Washer	Steel	4
⑥	8518276	3/4" Nut	Steel	2
⑦	9514429	ID Label	Polyester	1

	Part Number	Description	Material	Quantity
⑧	9515111	3M Label	Polyester	2
⑨	9515101	Rotation Label	Polyester	1
⑩	8550125	Rotation Stop	Steel	2
⑪	9515112	User Label	Polyester	1

Modular Jib Arm Adjustable

TECHNICAL DATA SHEET: 8530895-8530898




APPLICATION:

The M200 Modular Jib Arm is designed to provide anchorage connection points for a Fall Protection system.


For more information on product installation, refer to the 3M instruction manual for the M200 Jib Arm (5908372).

Standards: CEN/TS 16415:2013 Type E, EN795:2012 Type E, OSHA 1910.140, OSHA 1926.502

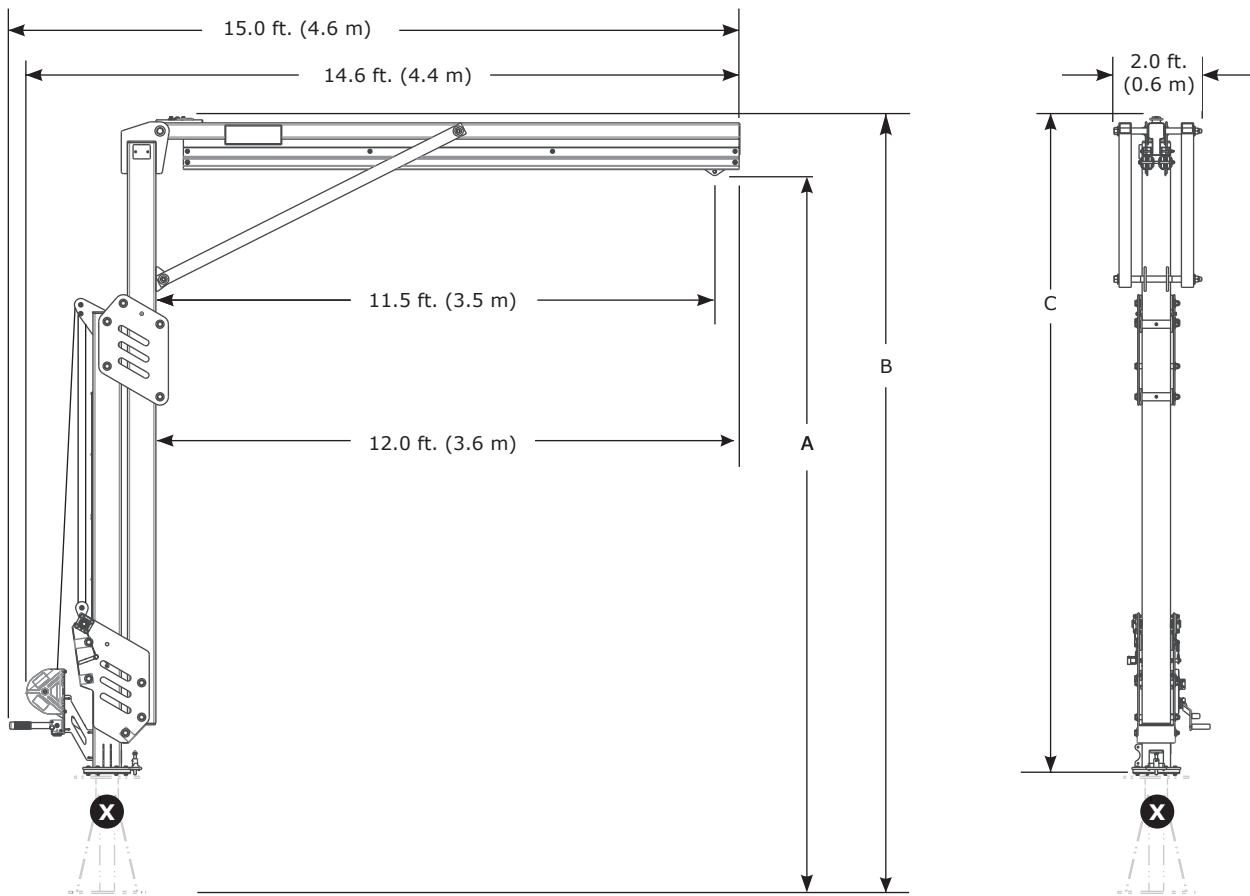


≤ 1350 lb.
(6 kN)

2x



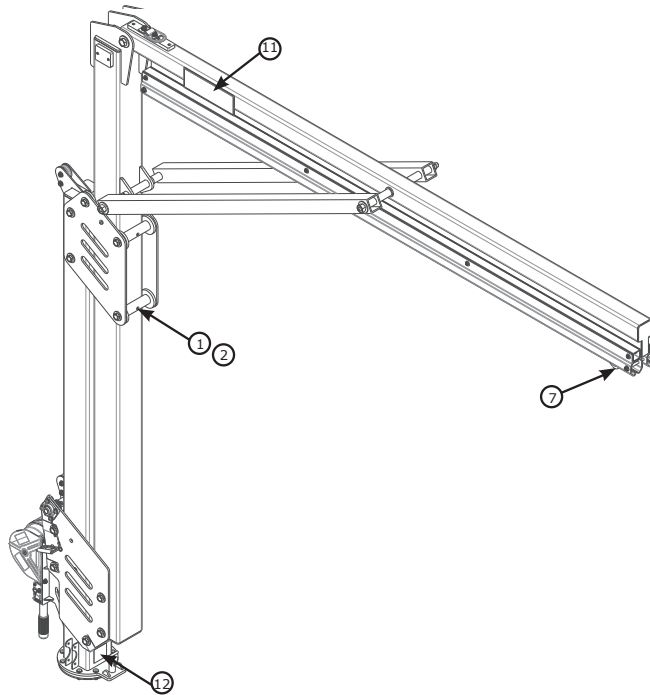
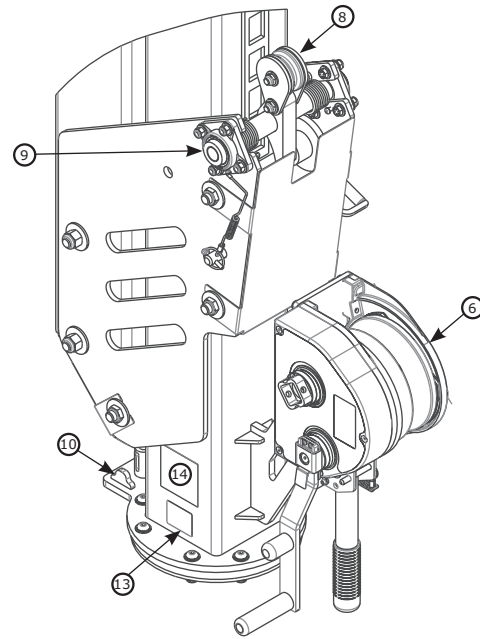
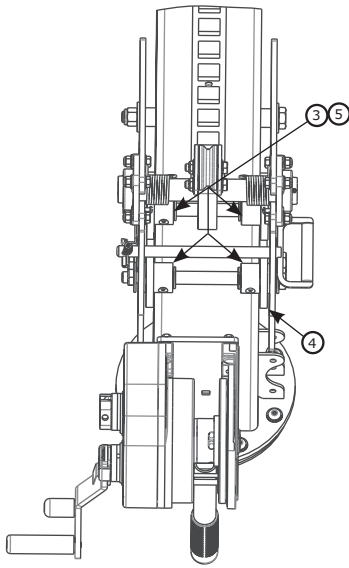
≤ 310 lb.
(140 kg)



	A	B	C	lb. (kg)
8530895	12.3 ft. – 15.0 ft. (3.8 m – 4.6 m)	13.4 ft. – 16.1 ft. (4.1 m – 4.9 m)	11.0 ft. – 13.7 ft. (3.4 m – 4.2 ft.)	1,011 lb. (459 kg)
8530896	14.8 ft. – 20.0 ft. (4.5 m – 6.1 m)	15.9 ft. – 21.1 ft. (4.8 m – 6.4 m)	13.5 ft. – 18.7 ft. (4.1 m – 5.7 m)	1,123 lb. (509 kg)
8530897	17.3 ft. – 25.0 ft. (5.3 m – 7.6 m)	18.4 ft. – 26.1 ft. (5.6 m – 8.0 m)	16.0 – 23.7 ft. (4.9 m – 7.2 m)	1,235 lb. (560 kg)
8530898	19.8 ft. – 30.0 ft. (6.0 m – 9.1 m)	20.9 ft. – 31.1 ft. (6.4 m – 9.5 m)	18.5 ft. – 28.7 ft. (5.6 m – 8.7 m)	1,343 lb. (609 kg)

Modular Jib Arm Adjustable Components

TECHNICAL DATA SHEET: 8530895-8530898



Component List				
	Part Number	Description	Material	Quantity
①	8550046	Wide Roller	Nylon	4
②	8550047	Wide Roller Spacer	304 Stainless Steel	4
③	8550327	Narrow Roller	Nylon	4
④	9514703	Side Roller	Nylon	12
⑤	8550213	Narrow Roller Spacer	304 Stainless Steel	4
⑥	8549930	Winch	Steel	1
⑦	8521711	Trolley	Steel, Nylon	1

Component List				
	Part Number	Description	Material	Quantity
⑧	8550223	Locking Mechanism (only authorized repair)	Steel, Nylon	1
⑨	9515138	Bearings	Steel	2
⑩	8550125	Rotation Stop	Steel	2
⑪	9515111	3M Label	Polyester	2
⑫	9515101	Rotation Label	Polyester	1
⑬	9514429	ID Label	Polyester	1
⑭	9515112	User Label	Polyester	1

Modular Jib Arm Semi-Fixed

TECHNICAL DATA SHEET: 8530902-8530904



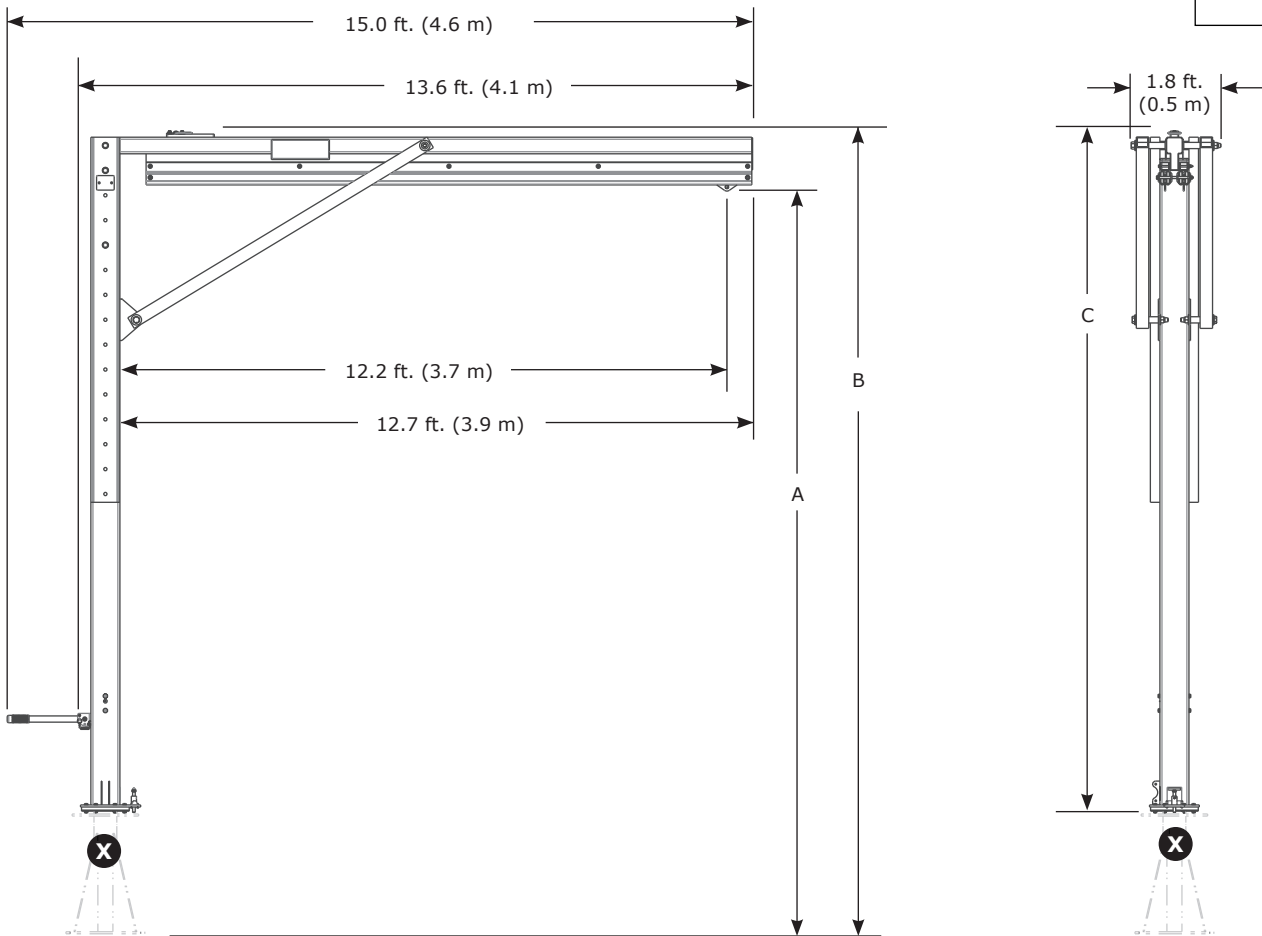
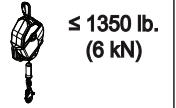
Fall Protection

APPLICATION:

The M200 Modular Jib Arm is designed to provide anchorage connection points for a Fall Protection system.

For more information on product installation, refer to the 3M instruction manual for the M200 Jib Arm (5908372).

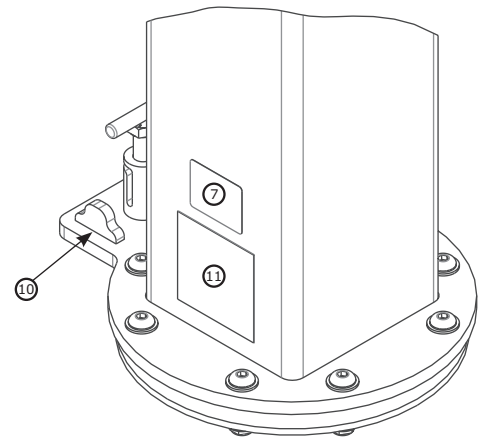
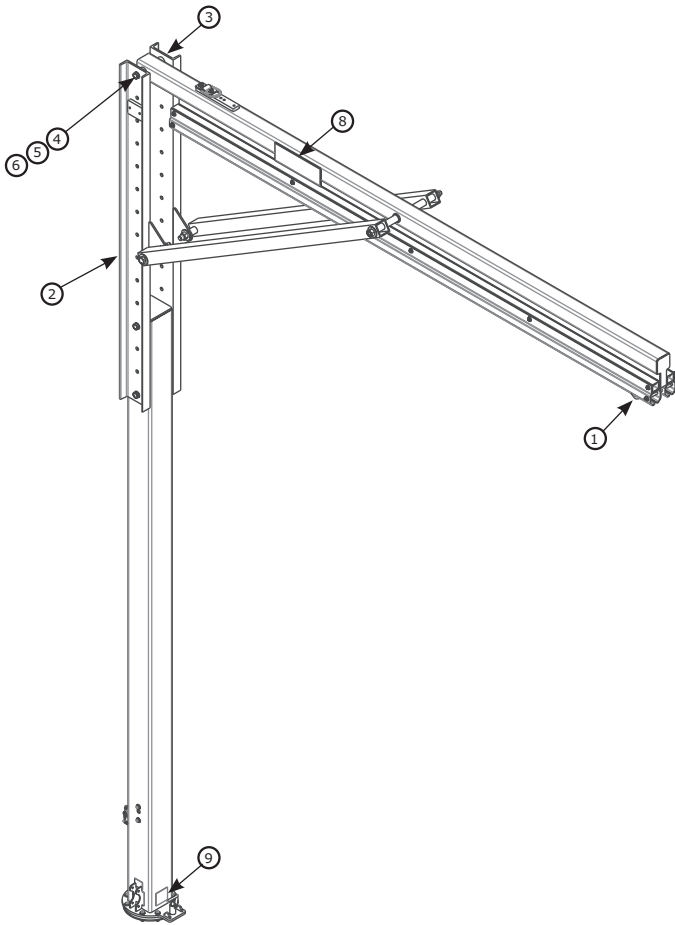
Standards: CEN/TS 16415:2013 Type E, EN795:2012 Type E, OSHA 1910.140, OSHA 1926.502.



	A	B	C	lb. (kg)
8530902	15.0 ft. – 20.0 ft. (4.6 m – 6.1 m)	16.1 ft. – 21.1 ft. (4.9 m – 6.4 m)	13.7 ft. – 18.7 ft. (4.2 m – 5.7 m)	850 lb. (386 kg)
8530903	20.0 ft. – 25.0 ft. (6.1 m – 7.6 m)	21.1 ft. – 26.1 ft. (6.4 m – 7.9 m)	18.7 ft. – 23.7 ft. (5.7 m – 7.2 m)	961 lb. (436 kg)
8530904	25.0 ft. – 30.0 ft. (7.6 m – 9.1 m)	26.1 ft. – 31.1 ft. (7.9 m – 9.6 m)	23.7 ft. – 28.7 ft. (7.2 m – 8.7 m)	1,073 lb. (487 kg)

Modular Jib Arm Semi-Fixed Components

TECHNICAL DATA SHEET: 8530902-8530904



	Part Number	Description	Material	Quantity
①	8521711	Trolley	Stainless Steel, Steel, Nylon	1
②	8549933	Rescue Mount Channel	Steel	1
③	8550248	Channel	Steel	1
④	8526654	3/4" x 9" Bolt	Steel	2
⑤	8522275	3/4" Washer	Steel	4
⑥	8518276	3/4" Nut	Steel	2
⑦	9514429	ID Label	Polyester	1

	Part Number	Description	Material	Quantity
⑧	9515111	3M Label	Polyester	2
⑨	9515101	Rotation Label	Polyester	1
⑩	8550125	Rotation Stop	Steel	2
⑪	9515112	User Label	Polyester	1

M200 Counterweight Base

TECHNICAL DATA SHEET: 8530886, 8530887



APPLICATION:

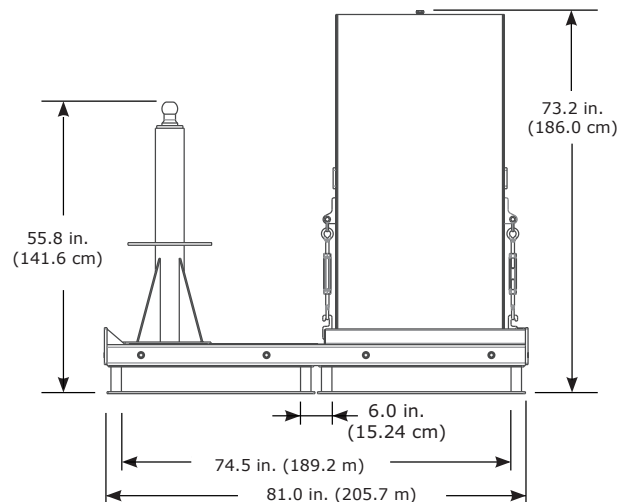
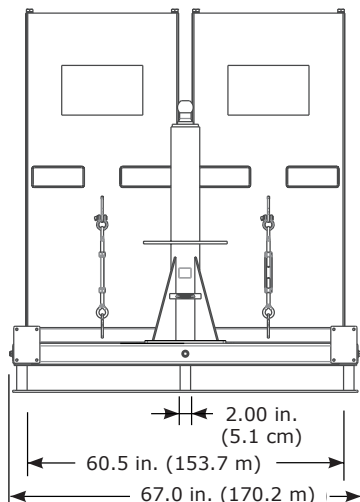
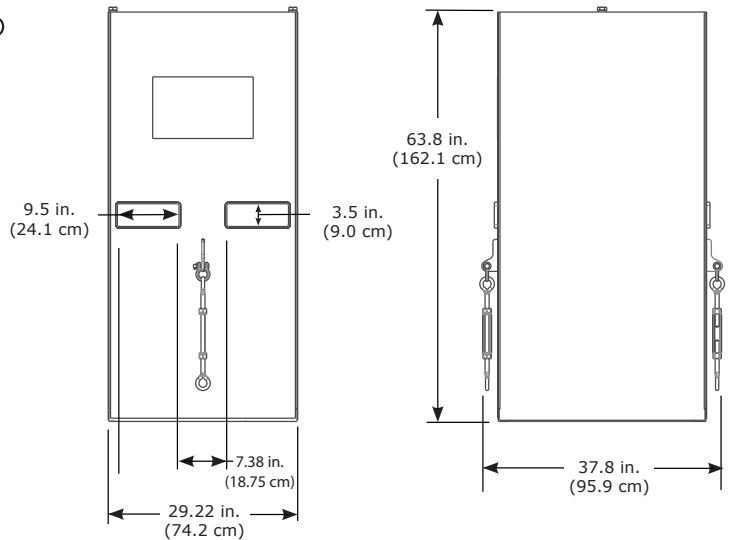
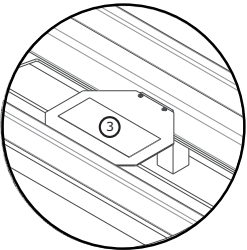
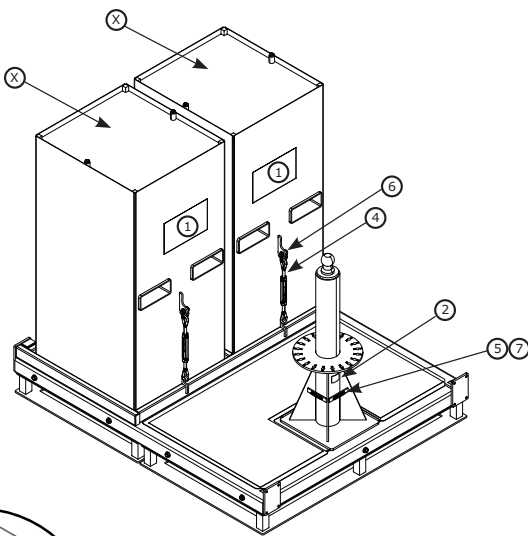
The Counterweight Base is designed to be filled with concrete and used as a mounting point for 3M™ DBI-SALA® Flexiguard™ Modular Jib System M200.

For more information on product installation, refer to the 3M instruction manual for M200 Concrete Base (5908374).

Standards: CEN/TS 16415:2013 Type E, EN795:2012 Type E, OSHA 1910.140, OSHA 1926.502

	X 4,000 psi (30 MPa)	Resting Structure Requirements	Net Weight
8530886		14,645 lb. (6,643 kg)	2,407 lb. (1,092 kg)
8530887	✓	+ Weight of M200 Jib Boom	11,325 lb. (5,137 kg)

Component List				
	Part Number	Description	Material	Quantity
①	9515107	User Label	Polyester	1
②	9514429	ID Label	Polyester	1
③	9515106	Warning Label	Polyester	1
④	8520575	Turnbuckle	Steel	2
⑤	9513627	#4 Screw	Steel	4
⑥	9501794	Shackle	Steel	2
⑦	9515058	Level Bubble	Plastic	2

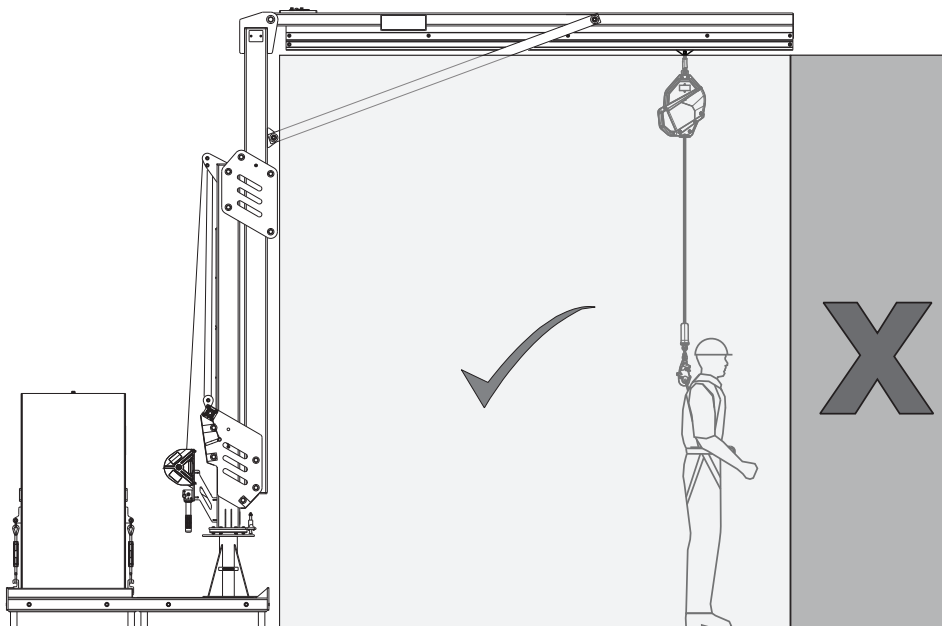
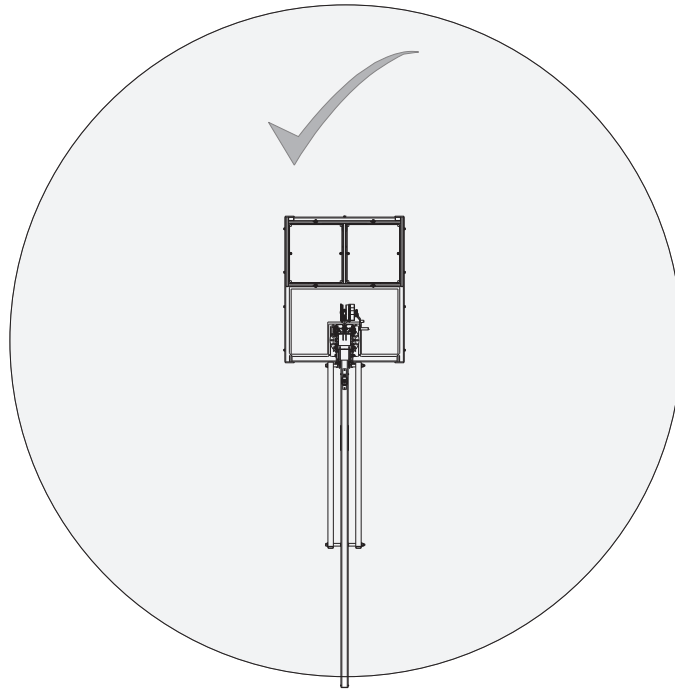


M200 Counterweight Base Working Area
TECHNICAL DATA SHEET: 8530886, 8530887



APPLICATION:

Refer to the diagram below for the working area of the M200 Concrete Base.



M200 Counterweight Base Accessories

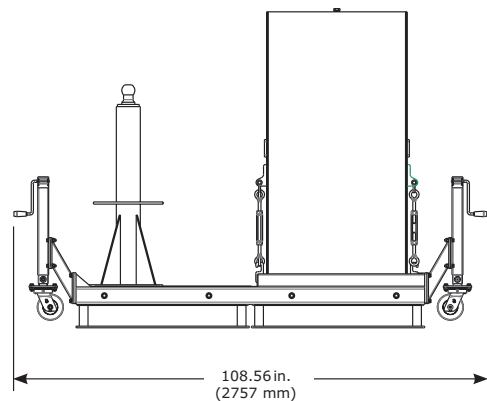
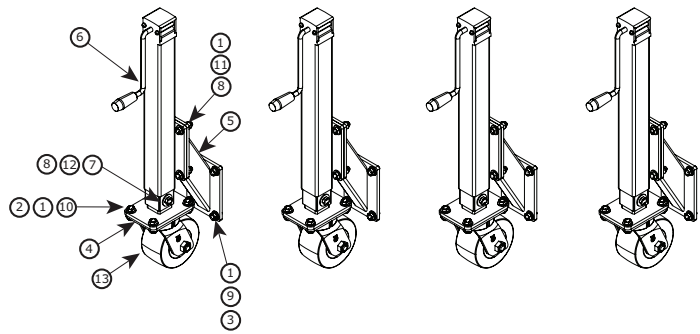
TECHNICAL DATA SHEET: 8530908, 8530907, 8530777



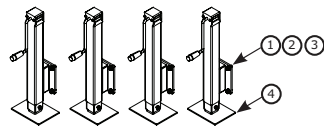
Fall Protection

Weight	
8530908	152 lb. (69 kg)

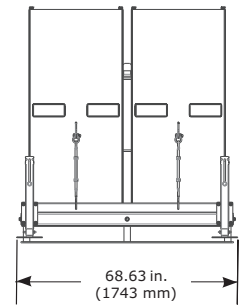
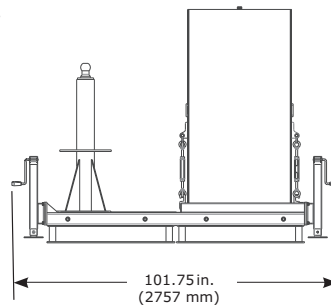
Component List				
	Part Number	Description	Material	Quantity
①	8510037	1/2" Washer	Steel	80
②	8512460	1/2" X 1 1/4" Bolt	Steel	16
③	8518432	1/2" x 1" Bolt	Steel	16
④	8550153	Wheel Weldment	Steel	4
⑤	8550155	Angled Weldment	Steel	4
⑥	8550156	Mounted Weldment	Steel	4
⑦	9501243	1/2" Washer	Steel	8
⑧	9501831	1/2" Hex Nut	Steel	20
⑨	9504221	1/2" Washer	Steel	16
⑩	9504813	1/2" Hex Nut	Steel	16
⑪	9509276	1/2" x 1 3/4" Bolt	Steel	16
⑫	9510153	1/2" x 3 1/4" Bolt	Steel	4
⑬	9515081	Caster Wheel	Steel, Urethane	4



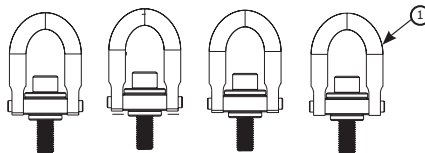
Weight	
8530907	108 lb. (49 kg)



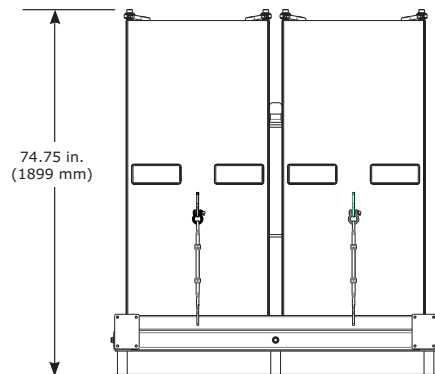
	Part Number	Description	Material	Quantity
①	9504221	1/2" Lock Washer	Steel	16
②	8510037	1/2" Washer	Steel	16
③	8518432	1/2" x 1" Bolt	Steel	16
④	8550177	Wheel Weldment	Steel	4



Weight	
8530777	12 lb. (5.4 kg)



Component List				
	Part Number	Description	Material	Quantity
①	9512574	Lifting Ring	Steel	4




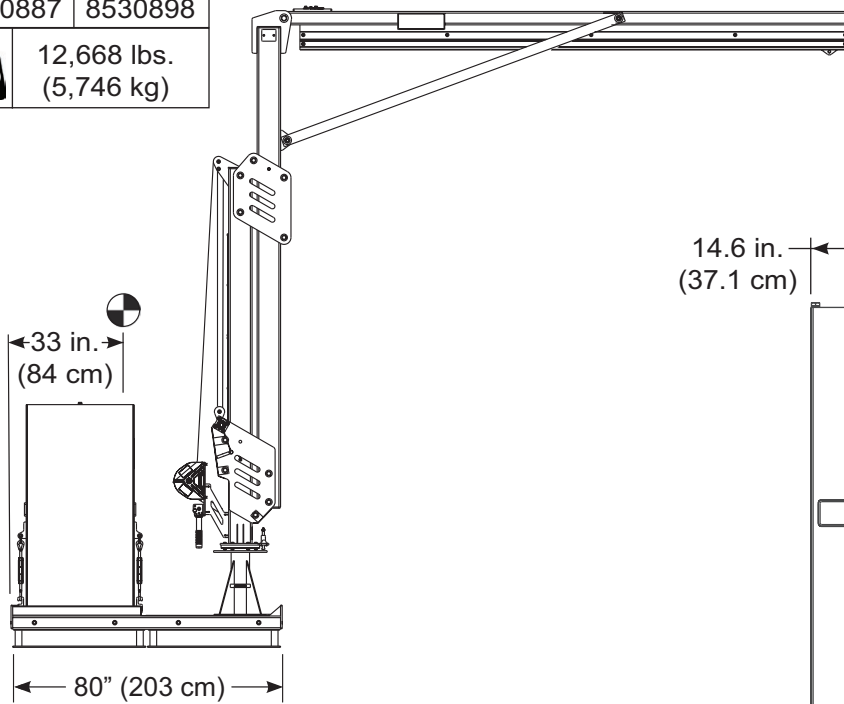
M200 Counterweight Base Center of Gravity


TECHNICAL DATA SHEET: 8530886, 8530887



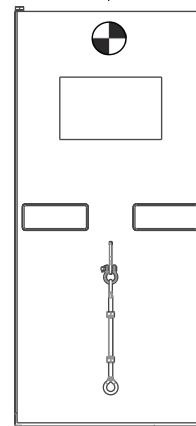
8530887	8530898
---------	---------

 .lb (kg)	12,668 lbs. (5,746 kg)
--	---------------------------



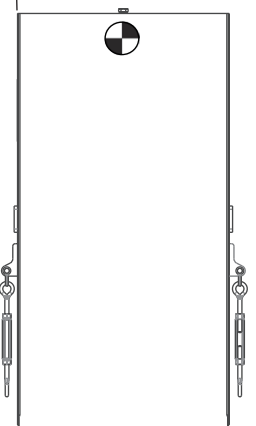
 .lb (kg)	5,000 lbs. (2,268 kg)
--	--------------------------

14.6 in.
(37.1 cm)



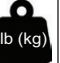
32.22 in.
(81.8 cm)

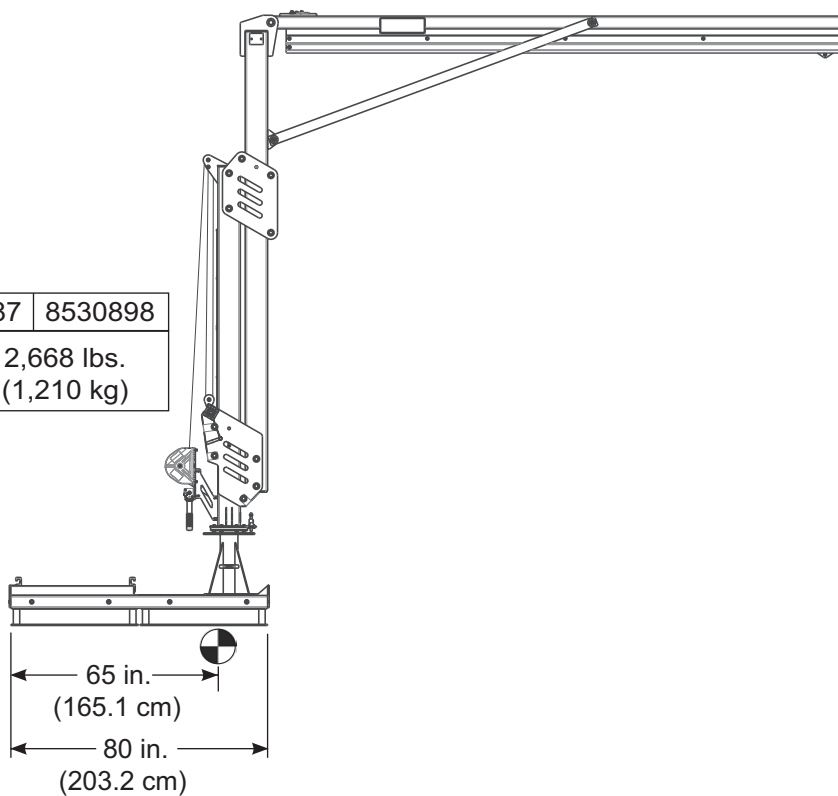
16.63 in.
(42.2 cm)



29.20 in.
(74.2 cm)

8530887	8530898
---------	---------


 .lb (kg)	2,668 lbs. (1,210 kg)
--	--------------------------

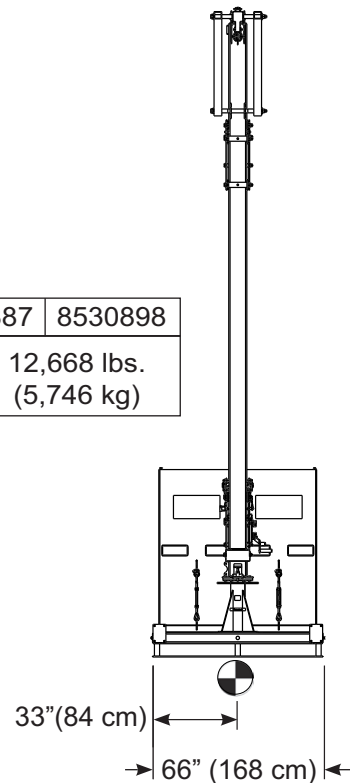


65 in.
(165.1 cm)

80 in.
(203.2 cm)

8530887	8530898
---------	---------

 .lb (kg)	12,668 lbs. (5,746 kg)
--	---------------------------



33" (84 cm)

66" (168 cm)

M200 Floor Mount Base

TECHNICAL DATA SHEET: 8530888



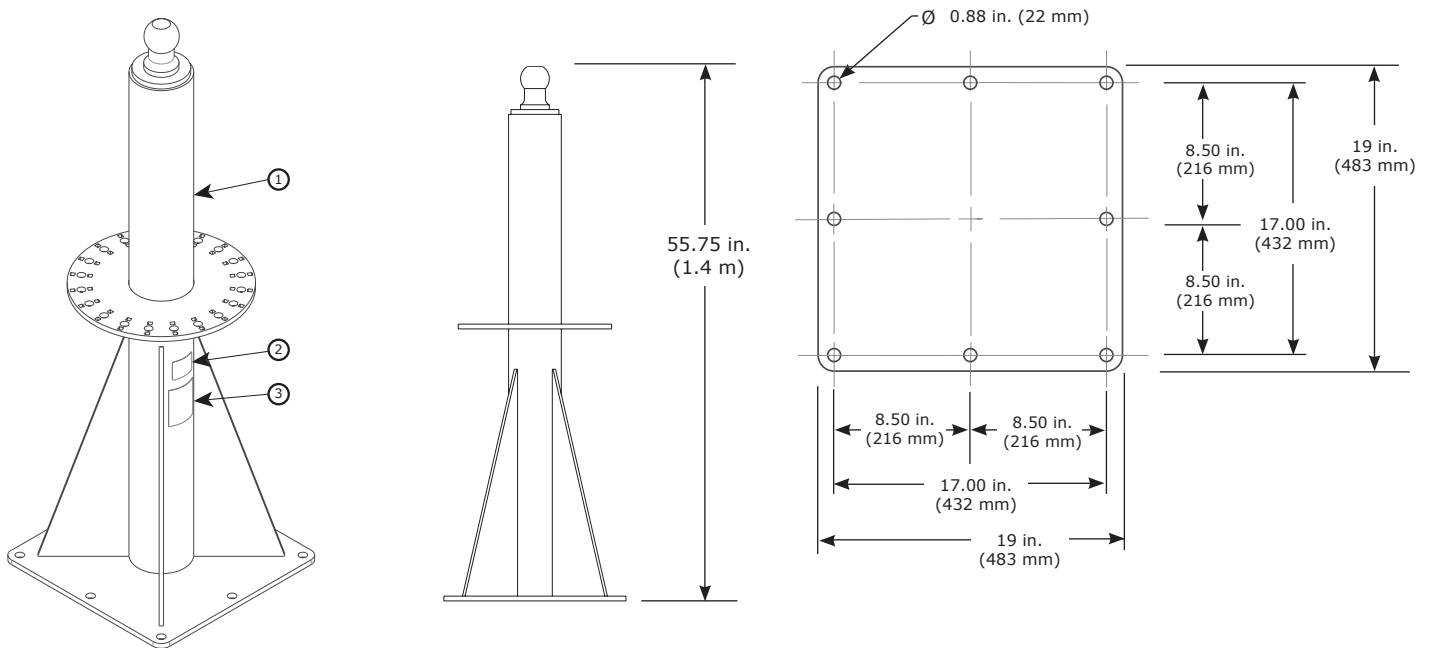
APPLICATION:

The Floor Mount Base is designed to be anchored to approved structures and used as a mounting point for the 3M approved Modular Jib System M200.

For more information on product installation, refer to the 3M instruction manual for the M200 Floor Mount Base (5908375).

Standards: CEN/TS 16415:2013 Type A, EN795:2012 Type A, OSHA 1910.140, OSHA 1926.502

	Net Weight
8530888	265 lb. (120 kg)



Component List				
	Part Number	Description	Material	Quantity
①	8549921	Base Weldment	Steel	1
②	9514429	ID Label	Polyester	1
③	9515114	User Label	Polyester	1

Mounting Requirements		
Minimum Fastener Pullout Force	Mounting Structure Minimum Moment Load	Mounting Structure Minimum Vertical Load
9,386 lb. (4,257 kg)	501,633 in.-lb. (56,677 N-m)	3,320 lb. (1,506 kg) + Base Weight + Weight of M200 Jib Boom

M200 Flush Mount Base

TECHNICAL DATA SHEET: 8530889, 8530920, 8530921



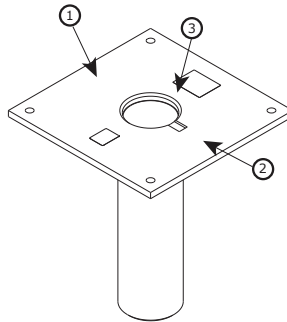
APPLICATION:

The Flush Mount Base is designed to be anchored to approved structures and used as a mounting point for the 3M approved Modular Jib System M200.

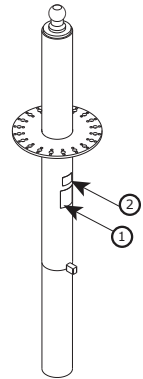
For more information on product installation, refer to the 3M instruction manual for the M200 Flush Mount Base (5908375).

Standards: CEN/TS 16415:2013, EN795:2012 Type A, OSHA 1910.140, OSHA 1926.502

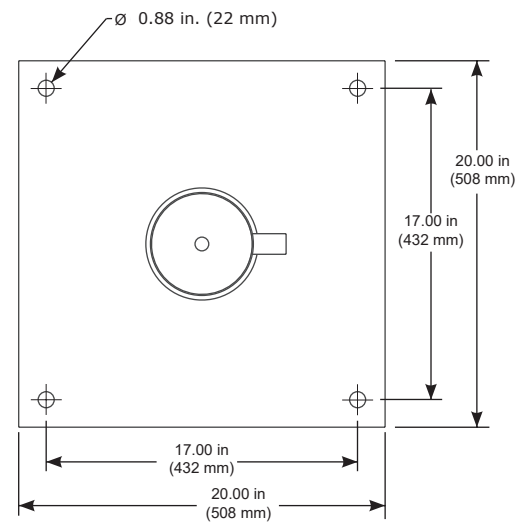
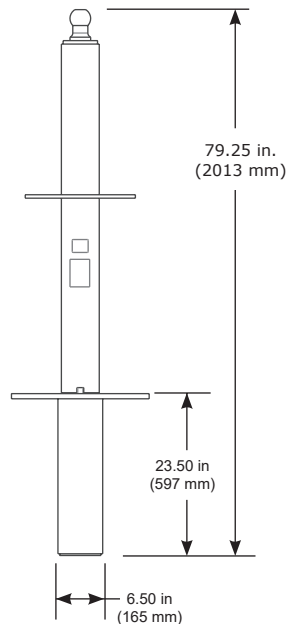
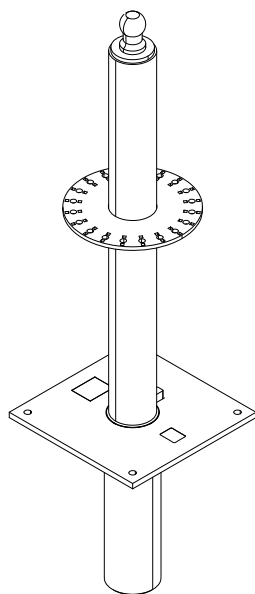
Net Weight	
8530920	140 lb. (64 kg)



Net Weight	
8530921	237 lb. (107 kg)



Net Weight	
8530889	377 lb. (171 kg)



Component List				
	Part Number	Description	Material	Quantity
①	9515114	User Label	Polyester	1
②	9514429	ID Label	Polyester	1
③	8550165	Base Cap	Aluminum Rubber	1

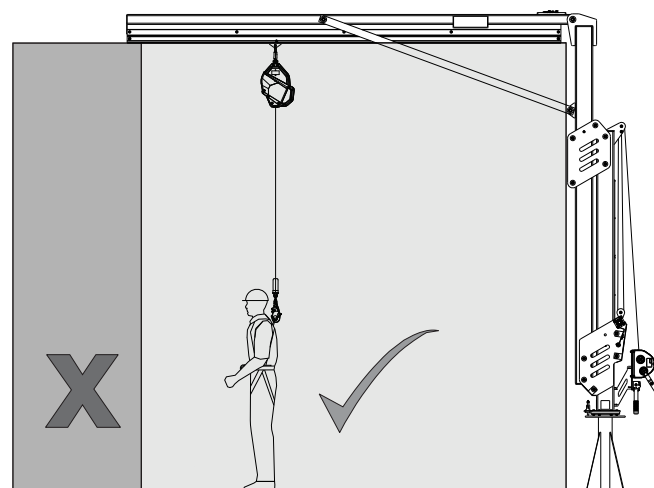
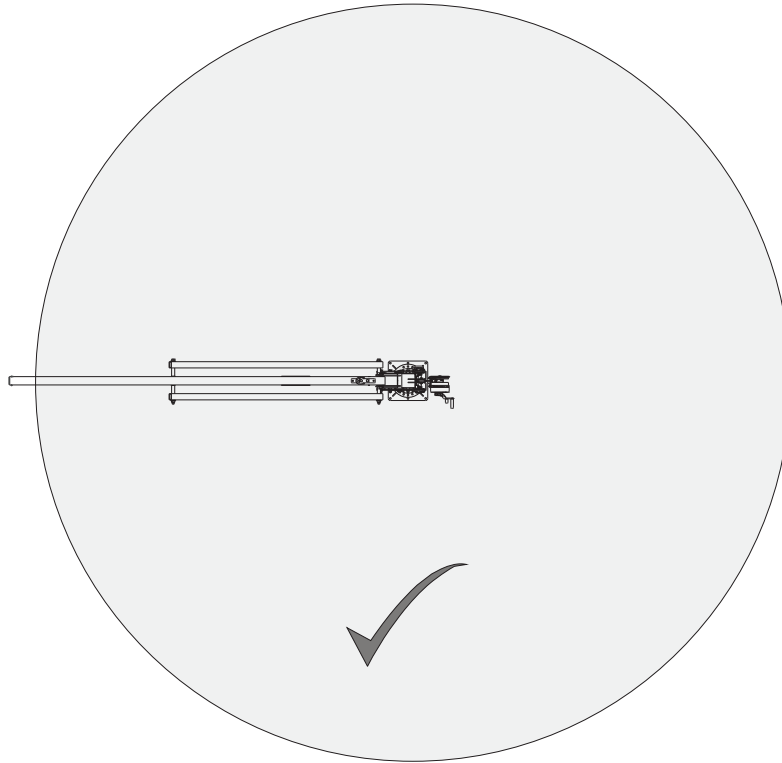
Mounting Requirements	
Mounting Structure Minimum Moment Load	Mounting Structure Minimum Vertical Load
501,633 in-lb. (56,677 N-m)	3,320 lb. (1,506 kg) + Base Weight + Weight of M200 Jib Boom

M200 Floor Mount Bases Working Area
TECHNICAL DATA SHEET: 8530888, 8530889



APPLICATION:

Refer to the diagram below for the working area of the Floor Mount Bases.



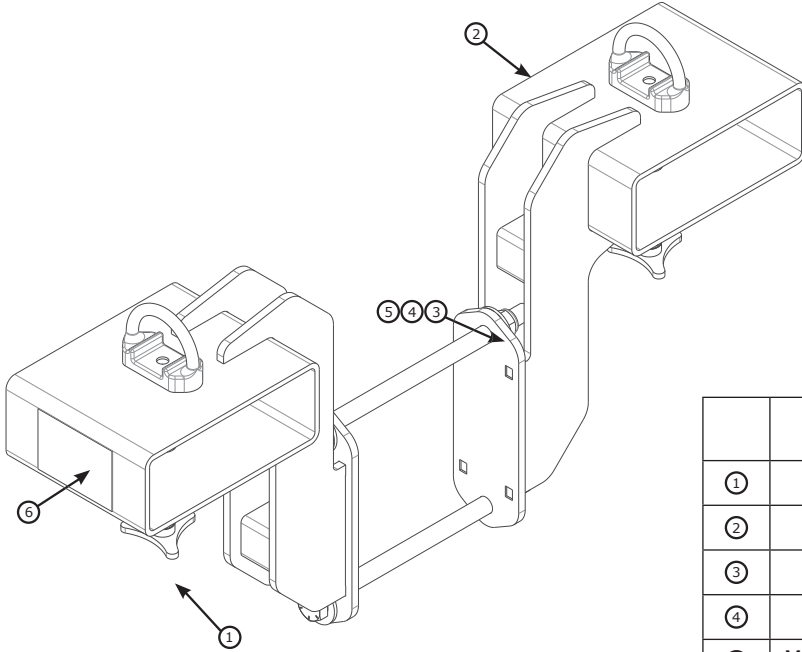
M200 Floor Pocket Kit

TECHNICAL DATA SHEET: 8530912

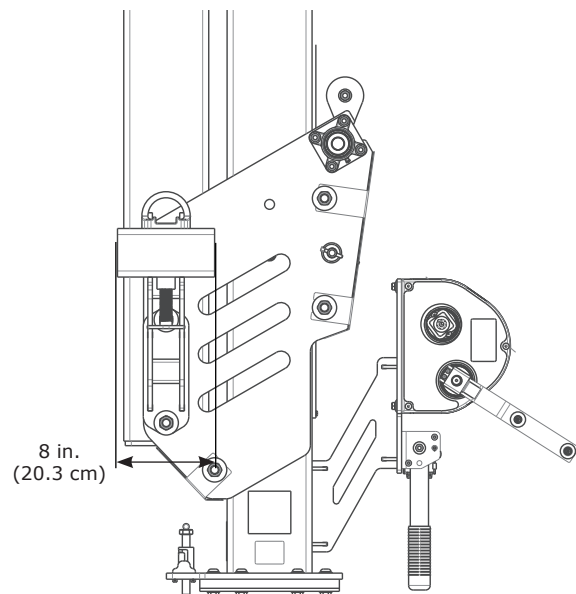
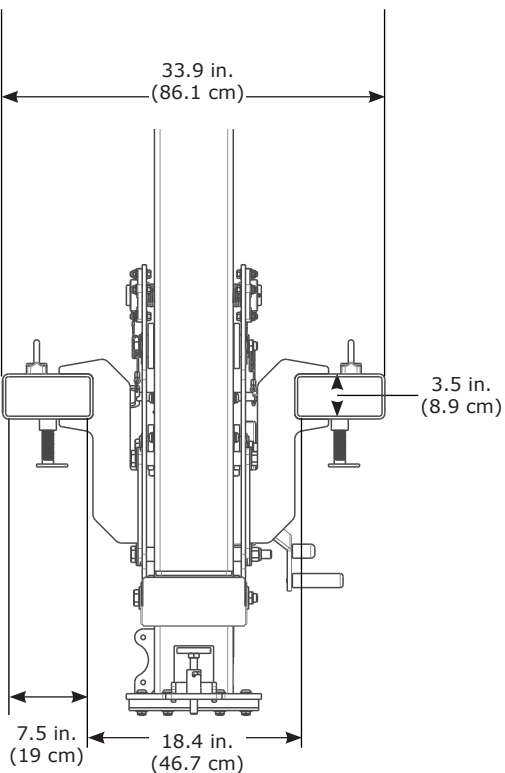


APPLICATION:

The M200 Floor Pocket Kit is designed to transport the Adjustable Jib Boom.
Refer to the listed sheets for component specifications.



	Part Number	Description	Quantity
①	8550127	Tri-Screw	2
②	8549905	Fork Pocket Weldment	2
③	8518276	3/4" Hex Nut	2
④	9512004	3/4" X 12" Bolt	2
⑤	M970033018	3/4" Washer	4
⑥	9515122	User Label	1
	9500146	Chain Link	2
	8517096	Chain	10 ft.





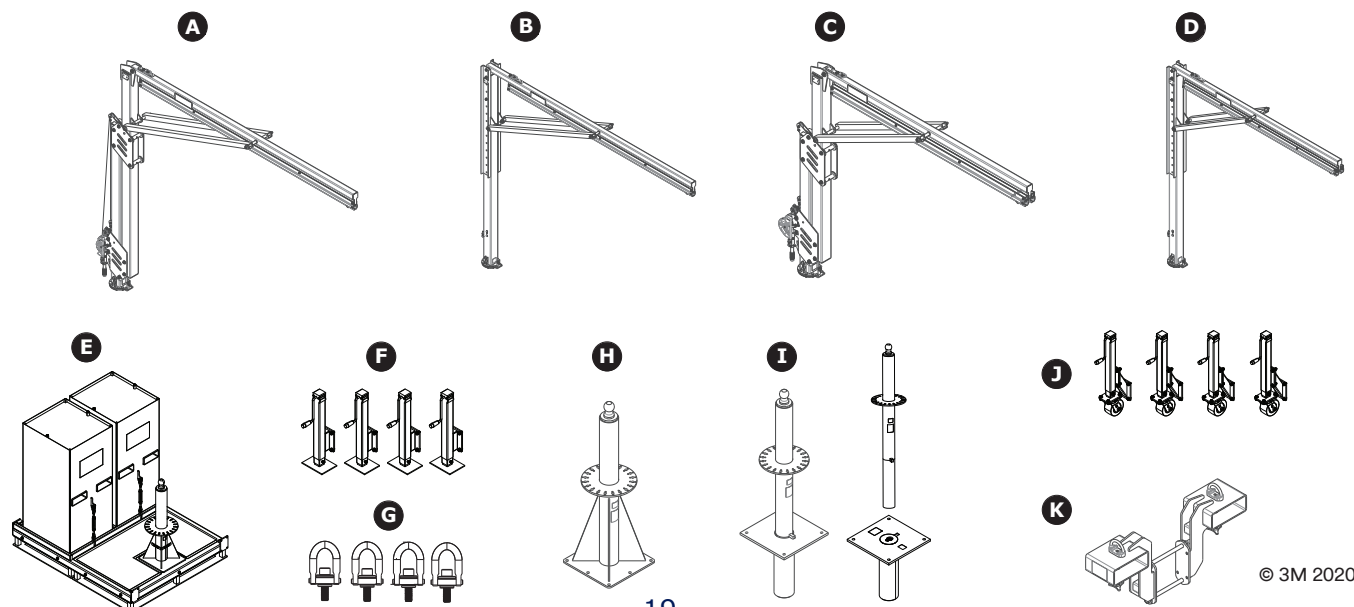
Faldsikring



**3M™ DBI-SALA® Flexiguard™
Moduludliggersystemer
M200**

**Pakke med tekniske datablade
5908526 Rev. C**

Beskrivelse	Teknisk datablad	Beskrivelse	Side
A	8530891	12,3 ft. – 15 ft. (3,8 m – 4,6 m) justerbar udliggerarm	20
	8530892	14,8 ft. – 20 ft. (4,5 m – 6,1 m) justerbar udliggerarm	20
	8530893	17,3 ft. – 25 ft. (5,3 m – 7,6 m) justerbar udliggerarm	20
	8530894	19,8 ft. – 30 ft. (6,1 m – 9,1 m) justerbar udliggerarm	20
B	8530899	15 ft. – 20 ft. (4,6 m – 6,1 m) delvist monteret udliggerarm	22
	8530900	20 ft. – 25 ft. (6,1 m – 7,6 m) delvist monteret udliggerarm	22
	8530901	25 ft. – 30 m (7,6 m – 9,1 m) delvist monteret udliggerarm	22
C	8530895	12,3 ft. – 15 ft. (3,8 m – 4,6 m) justerbar udliggerarm	24
	8530896	14,8 ft. – 20 ft. (4,5 m – 6,1 m) justerbar udliggerarm	24
	8530897	17,3 ft. – 25 ft. (5,3 m – 7,6 m) justerbar udliggerarm	24
	8530898	19,8 ft. – 30 ft. (6,1 m – 9,1 m) justerbar udliggerarm	24
D	8530902	15 ft. – 20 ft. (4,6 m – 6,1 m) delvist monteret udliggerarm	26
	8530903	20 ft. – 25 ft. (6,1 m – 7,6 m) delvist monteret udliggerarm	26
	8530904	25 ft. – 30 m (7,6 m – 9,1 m) delvist monteret udliggerarm	26
E	8530886	Ikke-fyldt kontravægtbase	28
	8530887	Fyldt kontravægtbase	28
F	8530907	Kontravægtsbasens stolper	30
G	8530777	Kontravægtsbasens løfteringe	30
H	8530888	Gulvmonteret base	32
I	8530889, 8530920, 8530921	Fastgørelsesbase	33
J	8530908	Kontravægtens bundhjul	30
K	8530912	Gaffellommesæt	35



Justerbar moduludliggerarm

TEKNISK DATABLAD: 8530891–8530894



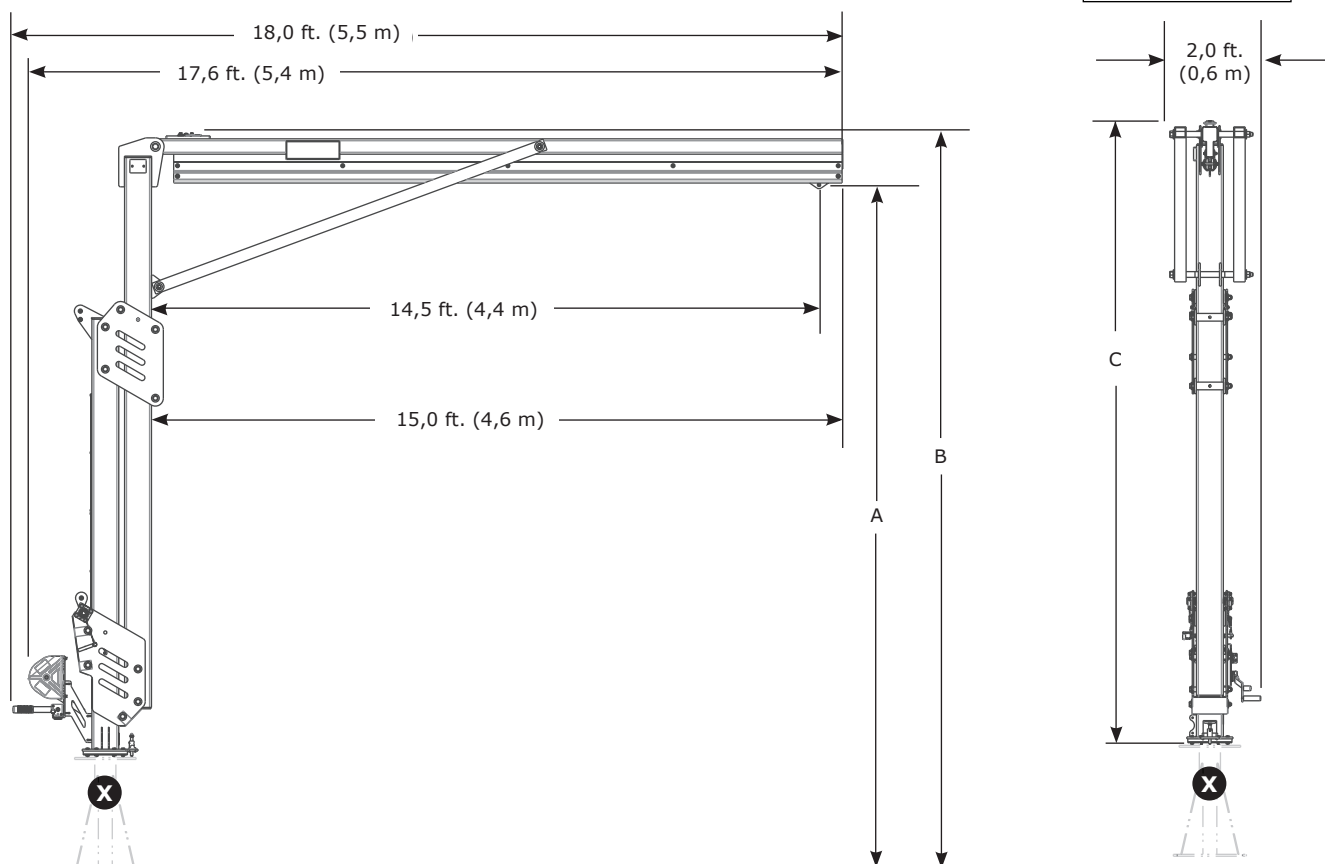
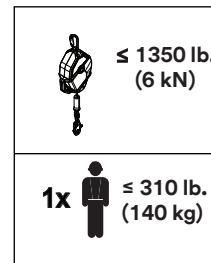
Faldsikring

ANVENDELSE:

M200-moduludliggerarm er designet til at give forankringsforbindelsespunkter til et faldsikringssystem.

Få flere oplysninger om produktinstallation i 3M's brugsanvisning til M200-udliggerarmen (5908372).

Standarder: EN795:2012 type E, OSHA 1910.140, OSHA 1926.502.



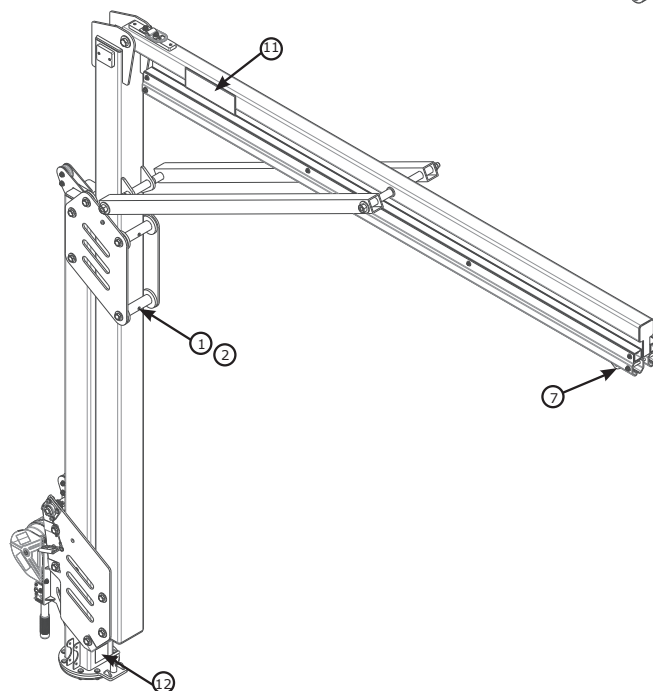
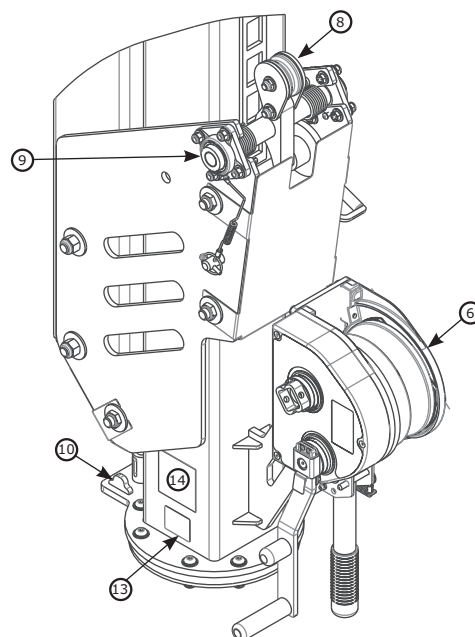
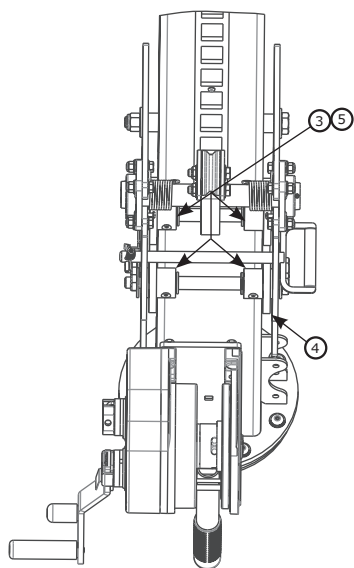
	EN	B	C	lb. (kg)
8530891	12,3 ft. – 15,0 ft. (3,8 m – 4,6 m)	13,4 ft. 16,1– 16,1 ft. (4,1 m – 4,9 m)	9,8 ft. – 14,8 ft. (3,0 m – 4,5 ft.)	945 lb. (429 kg)
8530892	14,8 ft. – 20,0 ft. (4,5 m – 6,1 m)	15,9 ft. – 21,1 ft. (4,8 m – 6,4 m)	13,5 ft. – 18,7 ft. (4,1 m – 5,7 m)	1.057 lb. (479 kg)
8530893	17,3 ft. – 25,0 ft. (5,3 m – 7,6 m)	18,4 ft. – 26,1 ft. (5,6 m – 8,0 m)	16,0 – 23,7 ft. (4,9 m – 7,2 m)	1.169 lb. (530 kg)
8530894	19,8 ft. – 30,0 ft. (6,0 m – 9,1 m)	20,9 ft. – 31,1 ft. (6,4 m – 9,5 m)	18,5 ft. – 28,7 ft. (5,6 m – 8,7 m)	1.281 lb. (581 kg)

Justerbare komponenter til moduludliggerarm

TEKNISK DATABLAD: 8530891-8530894

3M

DBI
SALA
Faldsikring



Komponentliste				
	Delnummer	Beskrivelse	Materiale	Mængde
①	8550046	Bred valse	Nylon	4
②	8550047	Bred valseafstandsskive	304 Rustfrit stål	4
③	8550327	Smal valse	Nylon	4
④	9514703	Sidevalse	Nylon	12
⑤	8550213	Smal valseafstandsskive	304 Rustfrit stål	4
⑥	8549930	Håndsving	Stål	1
⑦	8521711	Vogn	Stål, nylon	1

Komponentliste				
	Delnummer	Beskrivelse	Materiale	Mængde
⑧	8550223	Låsemekanisme (kun autoriseret reparation)	Stål, nylon	1
⑨	9515138	Lejer	Stål	2
⑩	8550125	Drejestop	Stål	2
⑪	9515111	3M-mærke	Polyester	2
⑫	9515101	Rotationsmærke	Polyester	1
⑬	9514429	ID-mærkat	Polyester	1
⑭	9515112	Brugermærke	Polyester	1

Delvist monteret moduludliggerarm

TEKNISK DATABLAD: 8530899–8530901



Faldsikring

ANVENDELSE:

M200-moduludliggerarm er designet til at give forankringsforbindelsespunkter til et faldsikringssystem.

Få flere oplysninger om produktinstallation i 3M's brugsanvisning til M200-udliggerarmen (5908372).

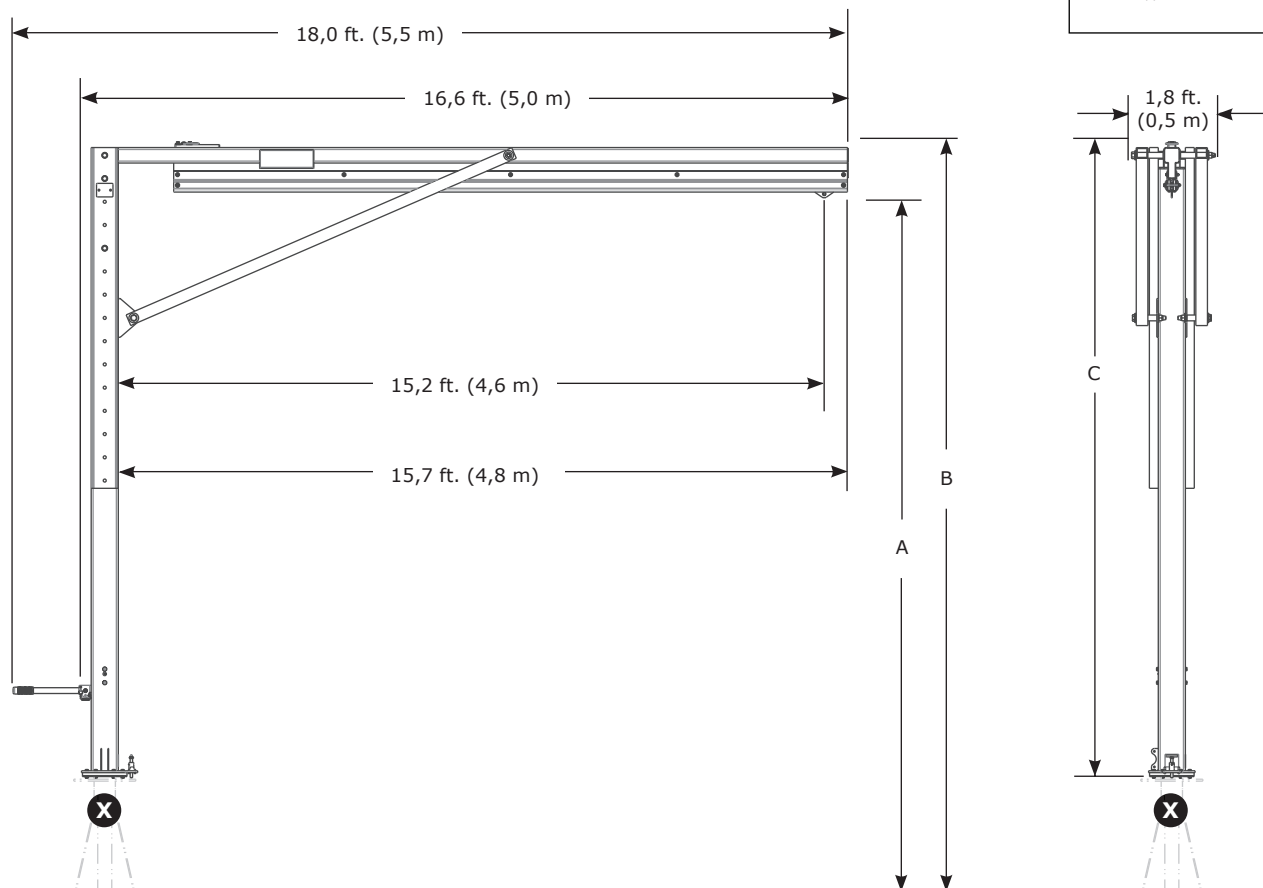
Standarder: EN795:2012 type E, OSHA 1910.140, OSHA 1926.502.



≤ 1350 lb.
(6 kN)

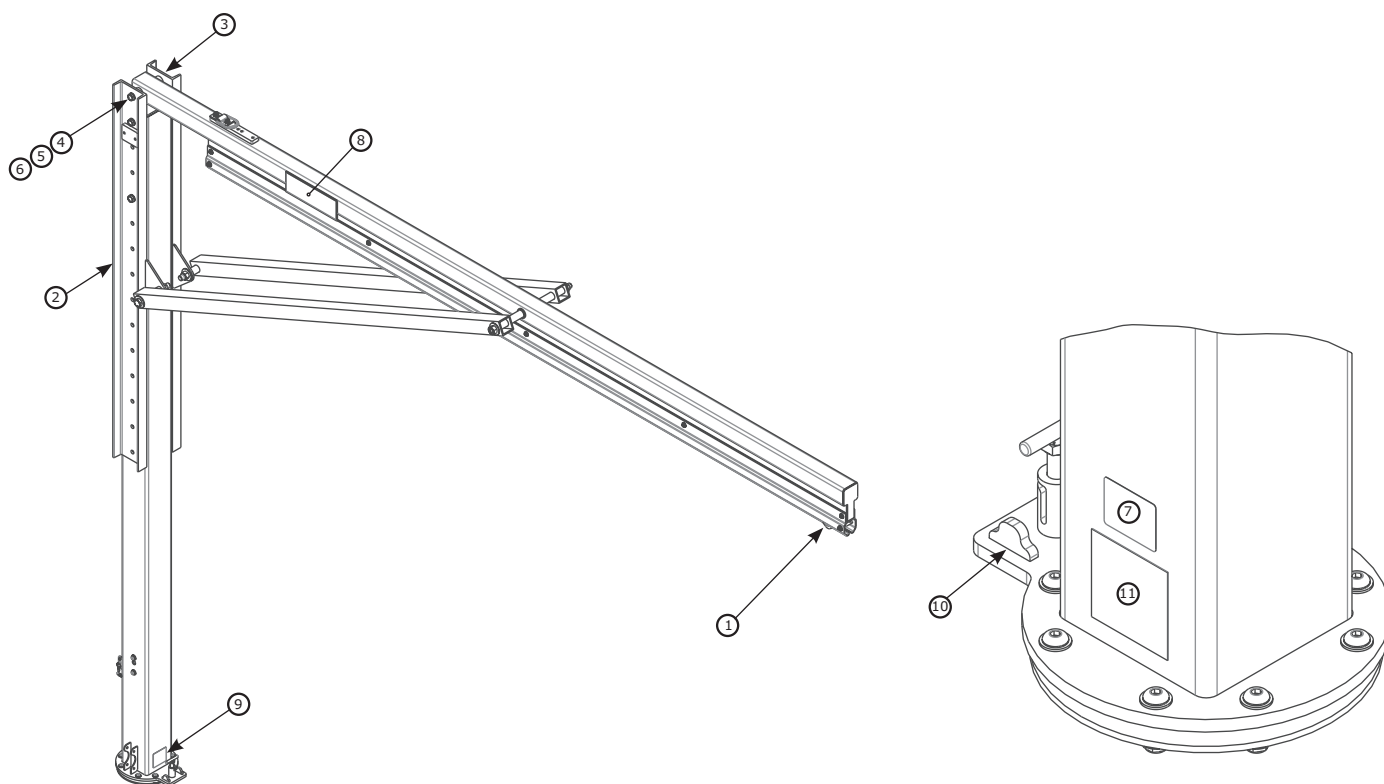


1x ≤ 310 lb.
(140 kg)



	EN	B	C	lb. (kg)
8530899	15,0 ft. – 20,0 ft. (4,6 m – 6,1 m)	16,1 ft. – 21,1 ft. (4,9 m – 6,4 m)	13,7 ft. – 18,7 ft. (4,2 m – 5,7 m)	818 lb. (371 kg)
8530900	20,0 ft. – 25,0 ft. (6,1 m – 7,6 m)	21,1 ft. – 26,1 ft. (6,4 m – 7,9 m)	18,7 ft. – 23,7 ft. (5,7 m – 7,2 m)	930 lb. (422 kg)
8530901	25,0 ft. – 30,0 ft. (7,6 m – 9,1 m)	26,1 ft. – 31,1 ft. (7,9 m – 9,6 m)	23,7 ft. – 28,7 ft. (7,2 m – 8,7 m)	1.041 lb. (472 kg)
+6" (152 mm) justeringstrin				

**Komponenter til delvist monteret
moduludliggerarm**
TEKNISK DATABLAD: 8530899-8530901



	Delnummer	Beskrivelse	Materiale	Mængde
①	8521711	Vogn	Rustfrit stål, stål, nylon	1
②	8549933	Redningsmon- teringskanal	Stål	1
③	8550248	Kanal	Stål	1
④	8526654	3/4" x 9" bolt	Stål	2
⑤	8522275	3/4" skive	Stål	4
⑥	8518276	3/4" møtrik	Stål	2
⑦	9514429	ID-mærkat	Polyester	1

	Delnummer	Beskrivelse	Materiale	Mængde
⑧	9515111	3M-mærke	Polyester	2
⑨	9515101	Rotations- mærke	Polyester	1
⑩	8550125	Drejestop	Stål	2
⑪	9515112	Brugermærke	Polyester	1

Justerbar moduludliggerarm

TEKNISK DATABLAD: 8530895–8530898



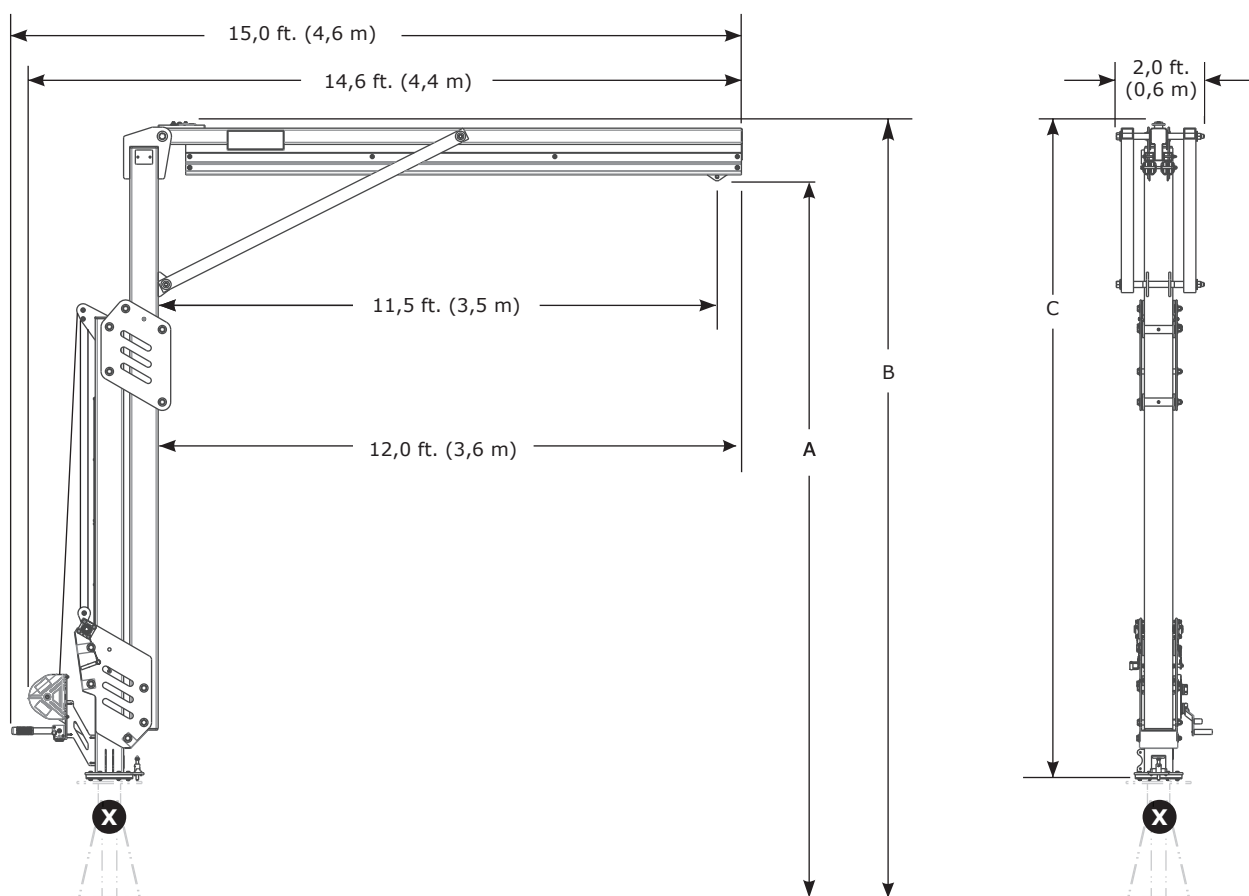
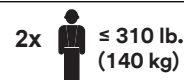
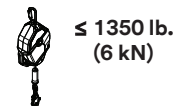
Faldsikring

ANVENDELSE:

M200-moduludliggerarm er designet til at give forankringsforbindelsespunkter til et faldsikringssystem.

Få flere oplysninger om produktinstallation i 3M's brugsanvisning til M200-udliggerarmen (5908372).

Standarder: CEN/TS 16415:2013 type E, EN795:2012 type E, OSHA 1910.140, OSHA 1926.502

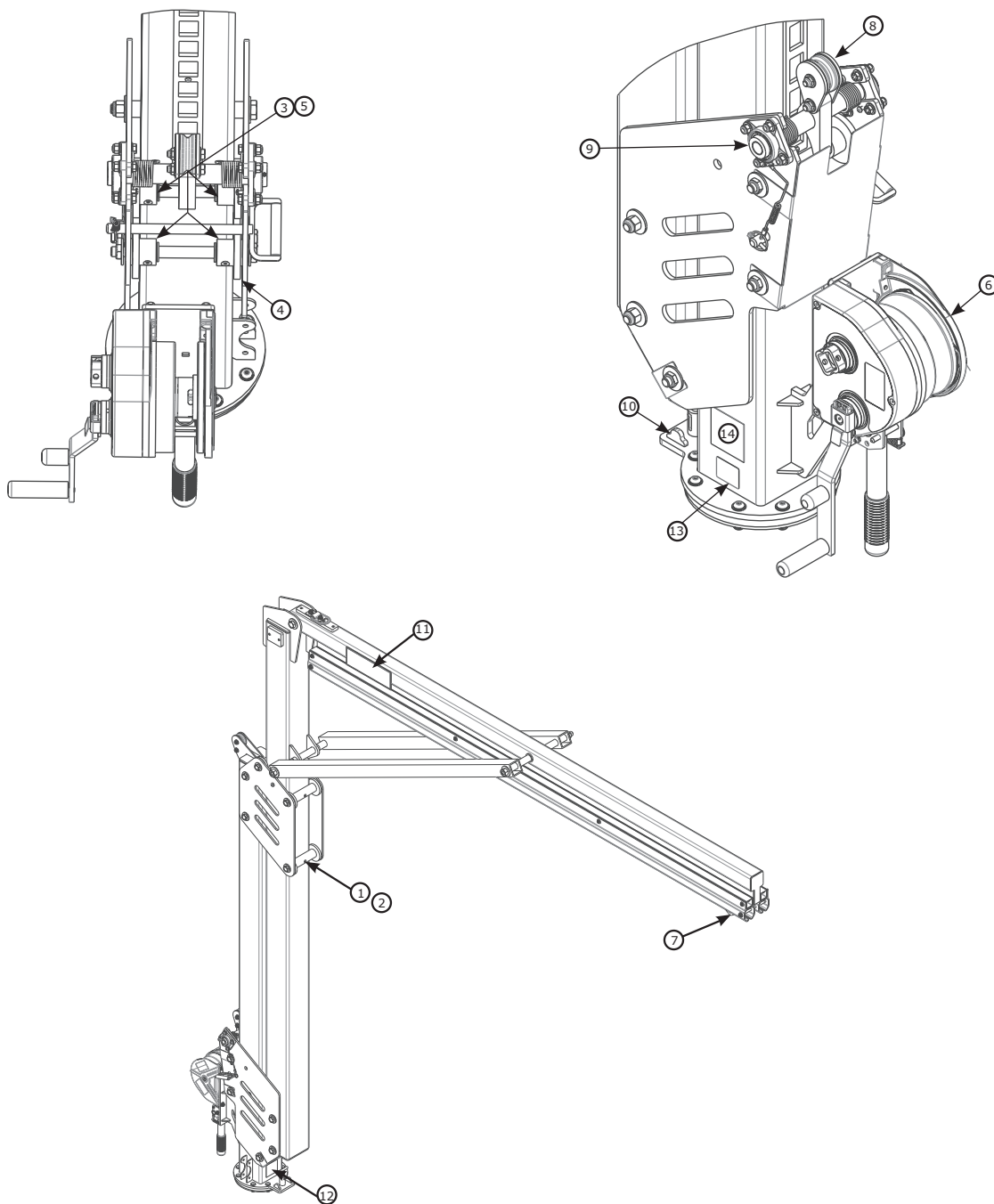


	EN	B	C	lb. (kg)
8530895	12,3 ft. – 15,0 ft. (3,8 m – 4,6 m)	13,4 ft. 16,1– 16,1 ft. (4,1 m – 4,9 m)	11,0 ft. – 13,7 ft. 3,4 m (4,2 ft.)	1.011 lb. (459 kg)
8530896	14,8 ft. – 20,0 ft. (4,5 m – 6,1 m)	15,9 ft. – 21,1 ft. (4,8 m – 6,4 m)	13,5 ft. – 18,7 ft. (4,1 m – 5,7 m)	1.123 lb. (509 kg)
8530897	17,3 ft. – 25,0 ft. (5,3 m – 7,6 m)	18,4 ft. – 26,1 ft. (5,6 m – 8,0 m)	16,0 – 23,7 ft. (4,9 m – 7,2 m)	1.235 lb. (560 kg)
8530898	19,8 ft. – 30,0 ft. (6,0 m – 9,1 m)	20,9 ft. – 31,1 ft. (6,4 m – 9,5 m)	18,5 ft. – 28,7 ft. (5,6 m – 8,7 m)	1.343 lb. (609 kg)

**Justerbare komponenter til
moduludliggerarm**
TEKNISK DATABLAD: 8530895-8530898

3M

**DBI
SALA®**
Faldsikring



Komponentliste				
	Delnummer	Beskrivelse	Materiale	Mængde
①	8550046	Bred valse	Nylon	4
②	8550047	Bred valse Afstandsskive	304 Rustfrit stål	4
③	8550327	Smal valse	Nylon	4
④	9514703	Sidevalse	Nylon	12
⑤	8550213	Smal valseaf- standsskive	304 Rustfrit stål	4
⑥	8549930	Håndsving	Stål	1
⑦	8521711	Vogn	Stål, nylon	1

Komponentliste				
	Delnummer	Beskrivelse	Materiale	Mængde
⑧	8550223	Låsemekanisme (kun autoriseret reparation)	Stål, nylon	1
⑨	9515138	Lejer	Stål	2
⑩	8550125	Drejestop	Stål	2
⑪	9515111	3M-mærke	Polyester	2
⑫	9515101	Rotationsmærke	Polyester	1
⑬	9514429	ID-mærkat	Polyester	1
⑭	9515112	Brugermærke	Polyester	1

Delvist monteret moduludliggerarm

TEKNISK DATABLAD: 8530902-8530904



Faldsikring

ANVENDELSE:

M200-moduludliggerarm er designet til at give forankringsforbindelsespunkter til et faldsikringssystem.

Få flere oplysninger om produktinstallation i 3M's brugsanvisning til M200-udliggerarmen (5908372).

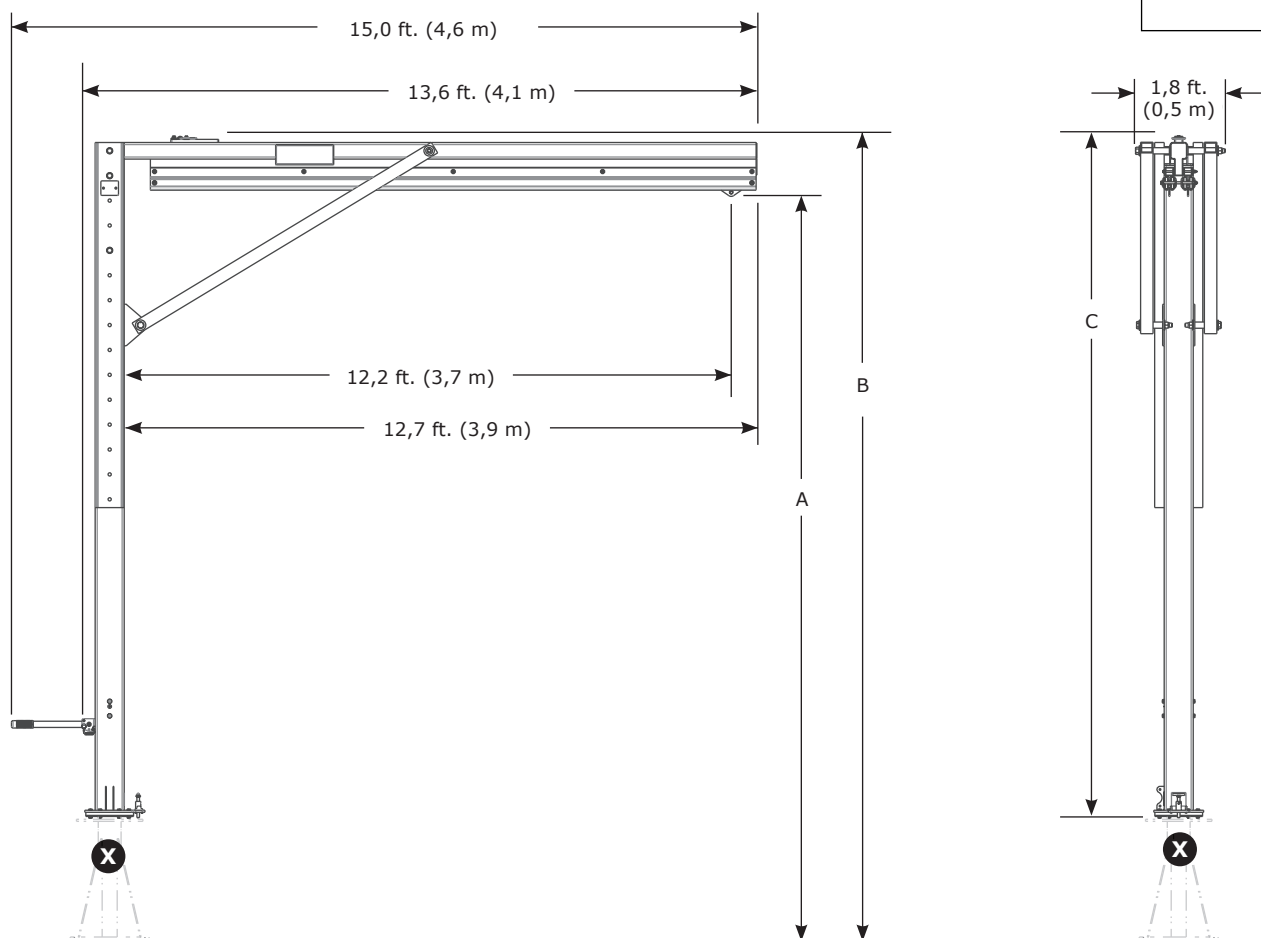
Standarder: CEN/TS 16415:2013 type E, EN795:2012 type E, OSHA 1910.140, OSHA 1926.502.



≤ 1350 lb.
(6 kN)

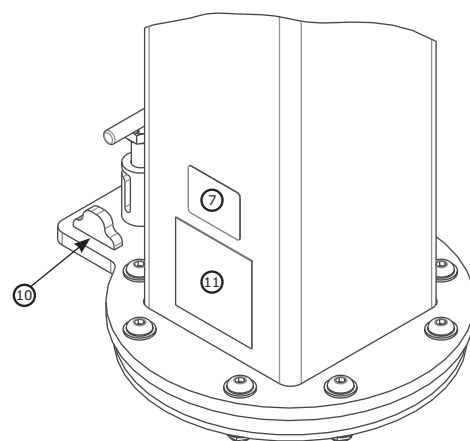
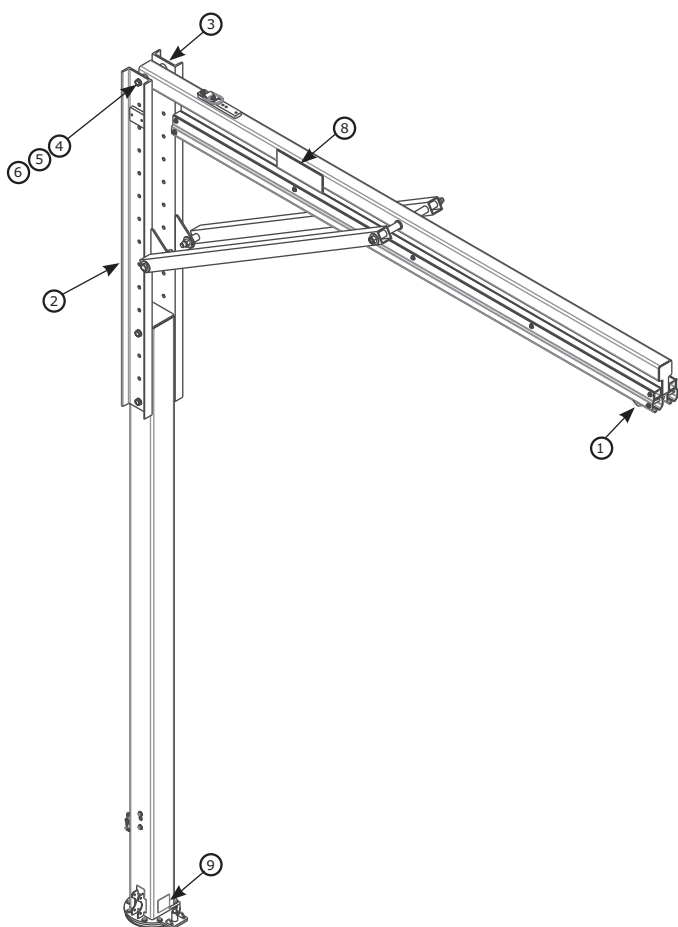


2x ≤ 310 lb.
(140 kg)



	EN	B	C	lb. (kg)
8530902	15,0 ft. – 20,0 ft. (4,6 m – 6,1 m)	16,1 ft. – 21,1 ft. (4,9 m – 6,4 m)	13,7 ft. – 18,7 ft. (4,2 m – 5,7 m)	850 lb. (386 kg)
8530903	20,0 ft. – 25,0 ft. (6,1 m – 7,6 m)	21,1 ft. – 26,1 ft. (6,4 m – 7,9 m)	18,7 ft. – 23,7 ft. (5,7 m – 7,2 m)	961 lb. (436 kg)
8530904	25,0 ft. – 30,0 ft. (7,6 m – 9,1 m)	26,1 ft. – 31,1 ft. (7,9 m – 9,6 m)	23,7 ft. – 28,7 ft. (7,2 m – 8,7 m)	1.073 lb. (487 kg)

**Komponenter til delvist monteret
moduludliggerarm**
TEKNISK DATABLAD: 8530902-8530904



	Delnummer	Beskrivelse	Materiale	Mængde
①	8521711	Vogn	Rustfrit stål, stål, nylon	1
②	8549933	Redningsmonteringskanal	Stål	1
③	8550248	Kanal	Stål	1
④	8526654	3/4" x 9" bolt	Stål	2
⑤	8522275	3/4" skive	Stål	4
⑥	8518276	3/4" møtrik	Stål	2
⑦	9514429	ID-mærkat	Polyester	1

	Delnummer	Beskrivelse	Materiale	Mængde
⑧	9515111	3M-mærke	Polyester	2
⑨	9515101	Rotationsmærke	Polyester	1
⑩	8550125	Drejestop	Stål	2
⑪	9515112	Brugermærke	Polyester	1

M200-kontravægtbase

TEKNISK DATABLAD: 8530886, 8530887



Faldsikring

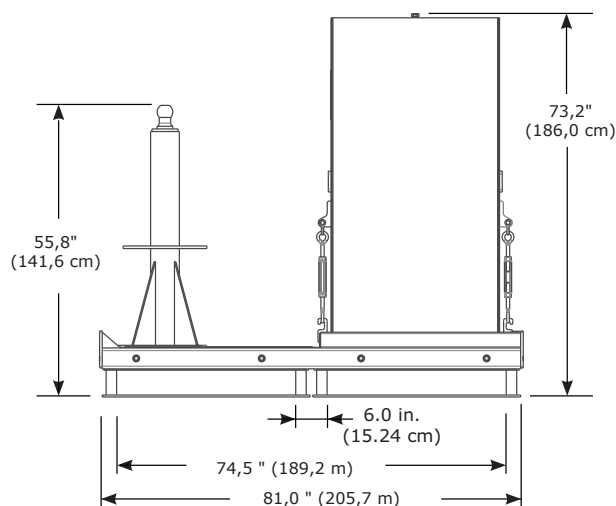
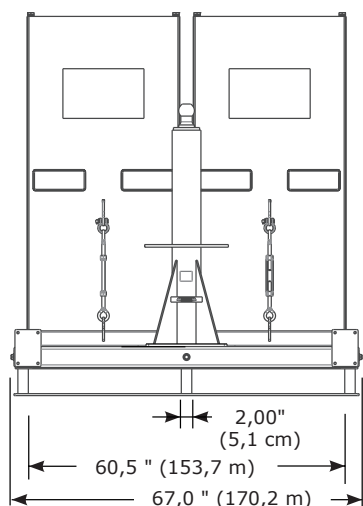
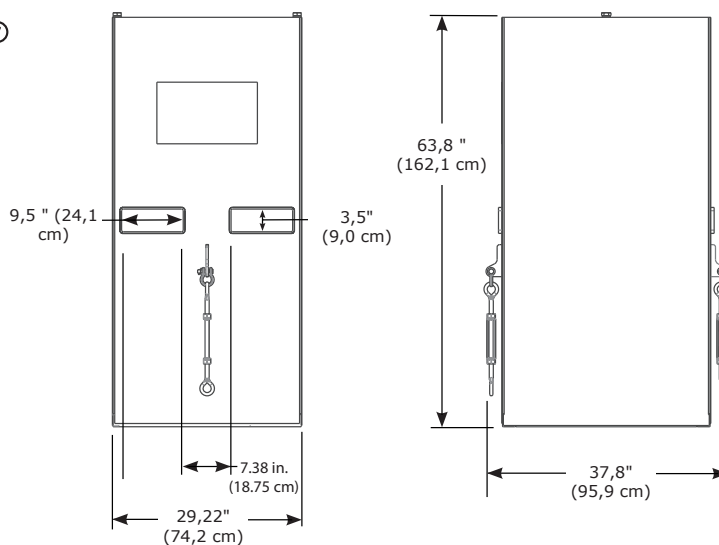
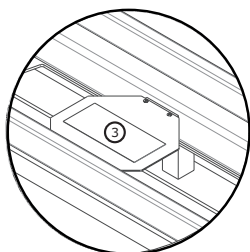
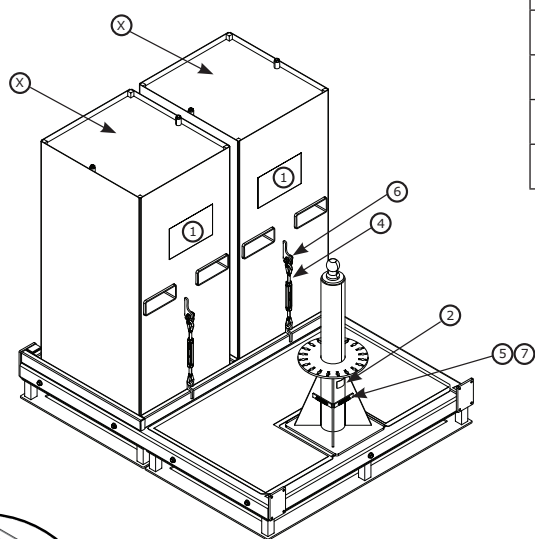
ANVENDELSE:

Kontravægtbasen er designet til at blive fyldt med beton og brugt som et monteringspunkt til 3M™ DBI-SALA® Flexiguard™ M200-moduludliggersystemet.

Få flere oplysninger om produktinstallation i 3M's brugsanvisning til M200-betonbasen (5908374).

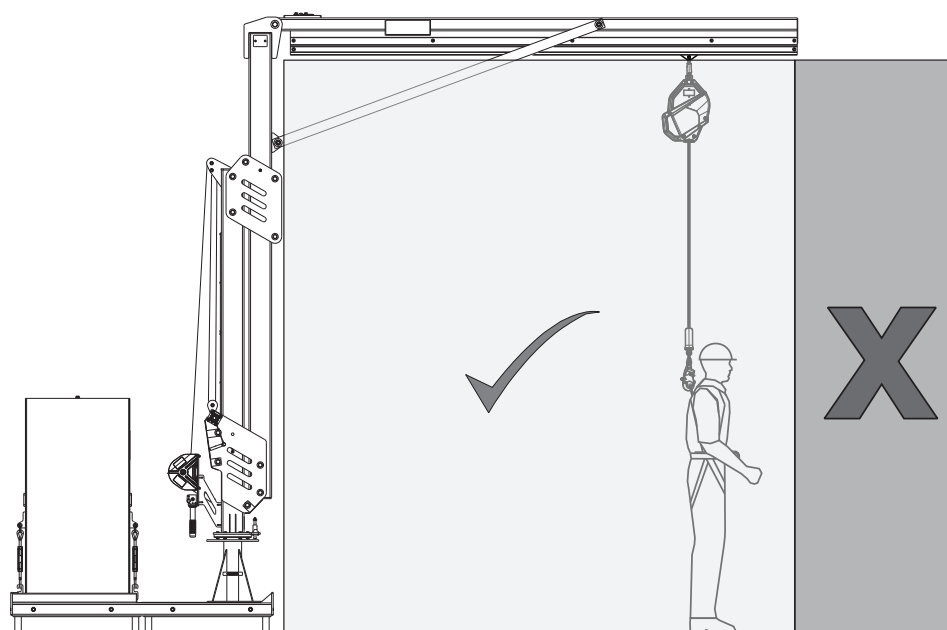
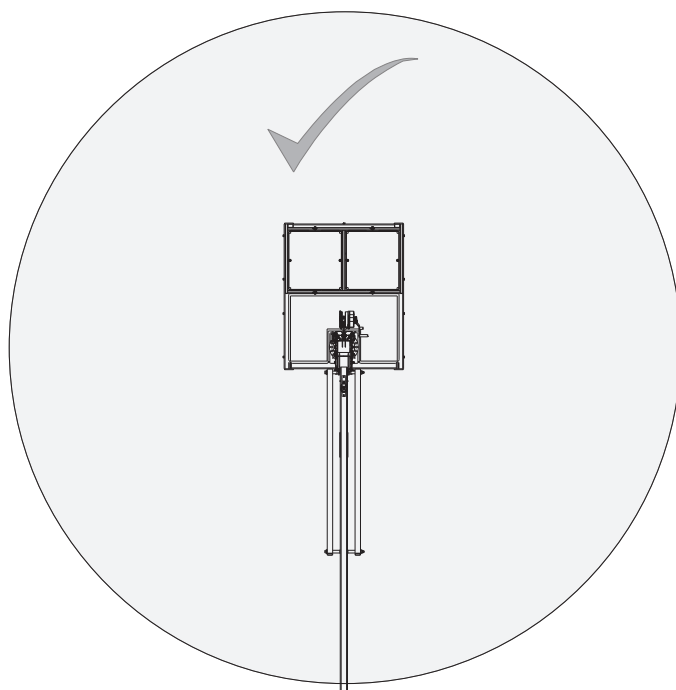
Standarder: CEN/TS 16415:2013 type E, EN795:2012 type E, OSHA 1910.140, OSHA 1926.502

	X 4.000 psi (30 MPa)	Krav til hvilestruktur	Nettovægt	Komponentliste				
				Delnum- mer	Beskrivelse	Materiale	Mængde	
8530886		14.645 lb. (6.643 kg)	2.407 lb. (1.092 kg)	①	9515107	Brugermærke	Polyester	1
8530887	✓	M200-udligger- bommens vægt	5.137 kg (11.325 lb)	②	9514429	ID-mærkat	Polyester	1
				③	9515106	Advarsels- mærkat	Polyester	1
				④	8520575	Spændebøjler	Stål	2
				⑤	9513627	Skrue nr. 4	Stål	4
				⑥	9501794	Sjækel	Stål	2
				⑦	9515058	Niveauboble	Plastik	2



ANVENDELSE:

Få oplysninger om arbejdsområdet for M200-betonbasen i nedenstående diagram.



Tilbehør til M200-kontravægtbase

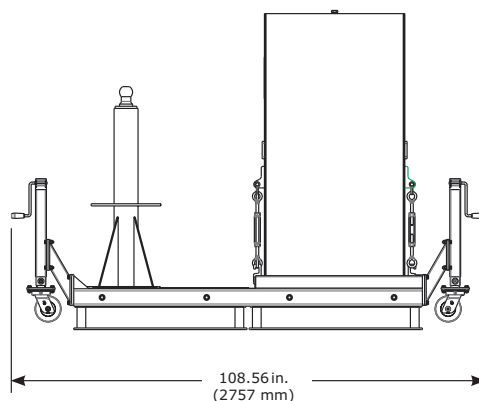
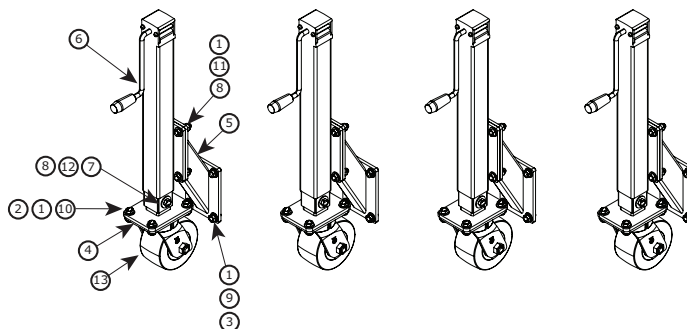
TEKNISK DATBLAD: 8530908, 8530907, 8530777



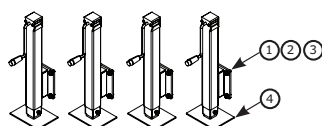
Faldsikring

Vægt	
8530908	152 lb. (69 kg)

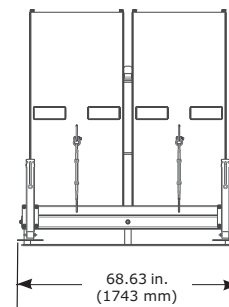
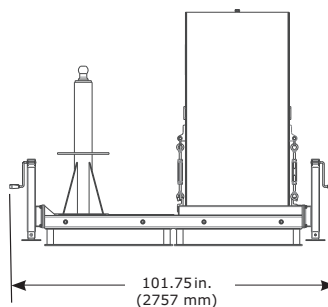
Komponentliste				
	Delnummer	Beskrivelse	Materiale	Mængde
①	8510037	1/2" spændeskive	Stål	80
②	8512460	1/2" X 1 1/4" bolt	Stål	16
③	8518432	1/2" x 1" bolt	Stål	16
④	8550153	Hjulsvejsning	Stål	4
⑤	8550155	Vinklet svejsning	Stål	4
⑥	8550156	Monteret svejsning	Stål	4
⑦	9501243	1/2" spændeskive	Stål	8
⑧	9501831	1/2" unbrakomøtrik	Stål	20
⑨	9504221	1/2" spændeskive	Stål	16
⑩	9504813	1/2" unbrakomøtrik	Stål	16
⑪	9509276	1/2" X 1 3/4" bolt	Stål	16
⑫	9510153	1/2" X 3 1/4" bolt	Stål	4
⑬	9515081	Styrehjul	Stål, urethan	4



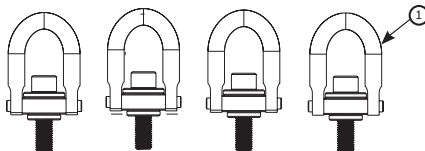
Vægt	
8530907	108 lb. (49 kg)



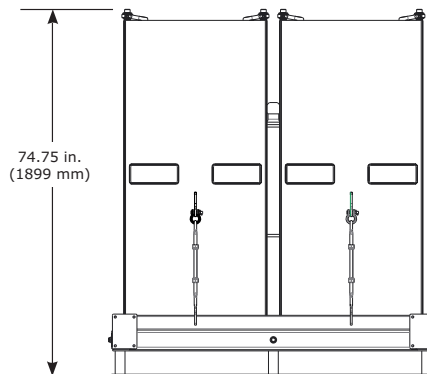
	Delnummer	Beskrivelse	Materiale	Mængde
①	9504221	1/2" låse-spændeskive	Stål	16
②	8510037	1/2" spændeskive	Stål	16
③	8518432	1/2" x 1" bolt	Stål	16
④	8550177	Hjulsvejsning	Stål	4



Vægt	
8530777	12 lb. (5,4 kg)



Komponentliste				
	Delnummer	Beskrivelse	Materiale	Mængde
①	9512574	Løftering	Stål	4




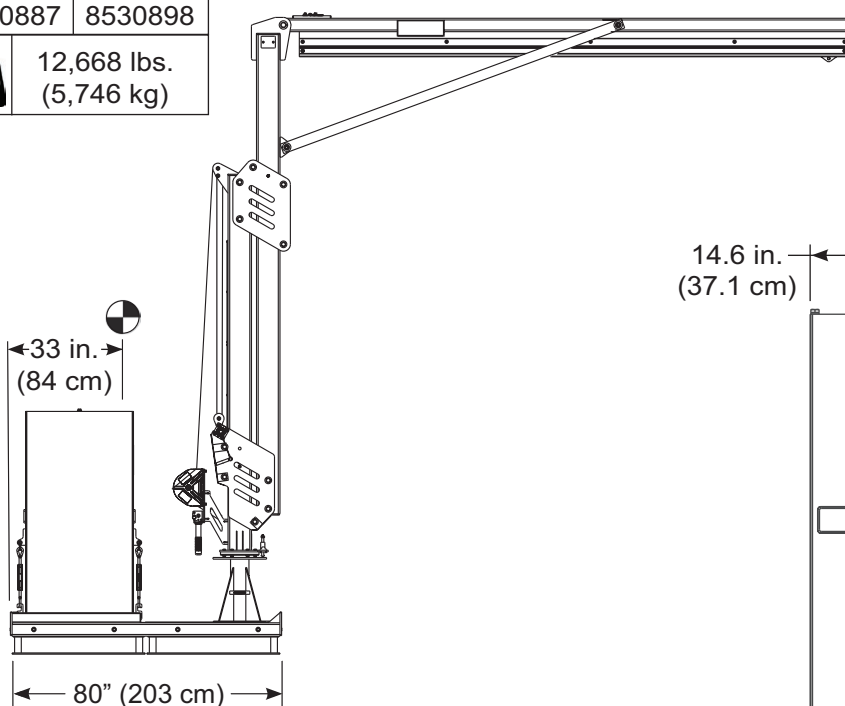
Tyngdepunkt på M200-kontravægtbase


TEKNISK DATABLAD: 8530886, 8530887

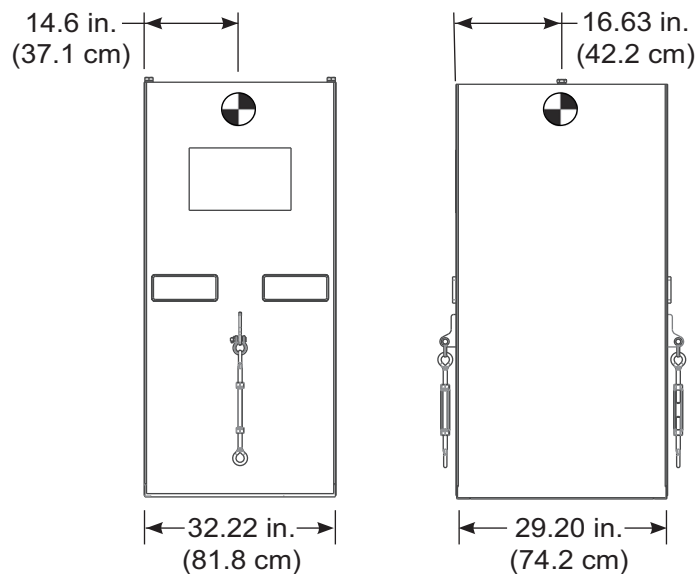



Faldsikring

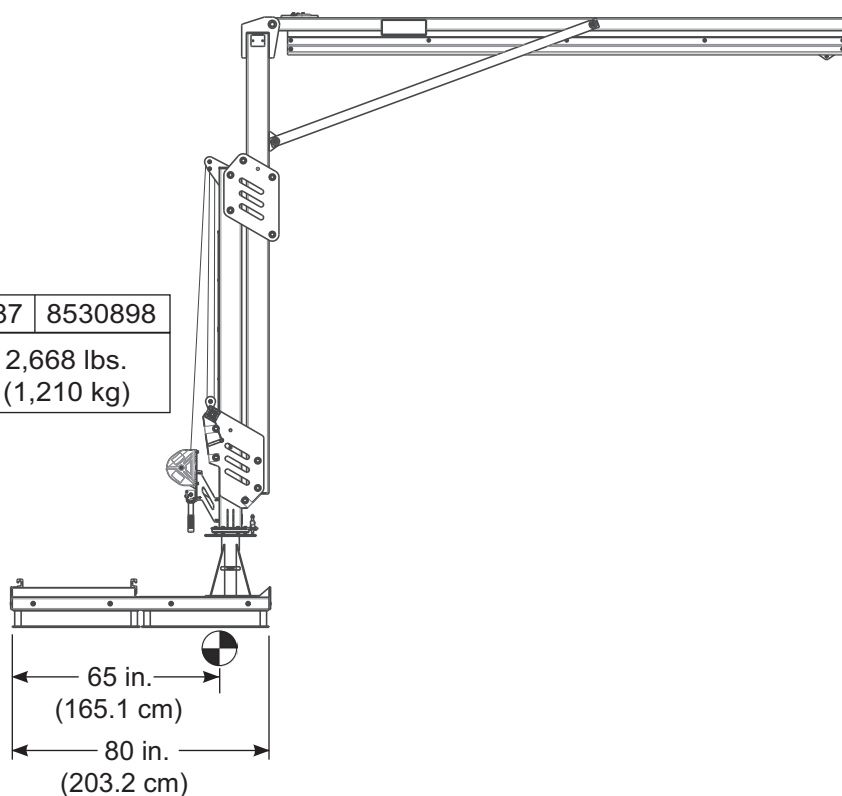
8530887	8530898
 lb (kg)	12,668 lbs. (5,746 kg)




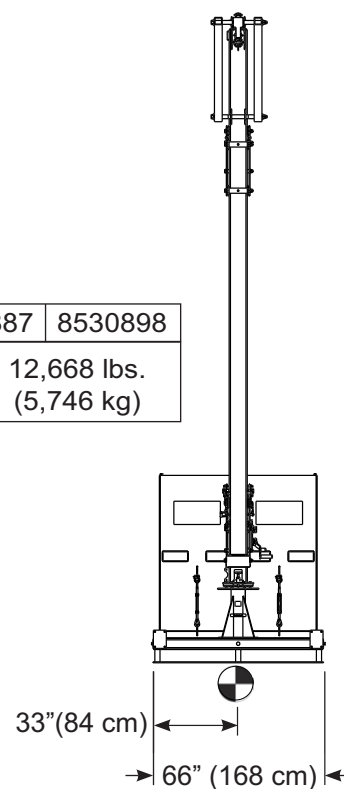
 lb (kg)	5,000 lbs. (2,268 kg)
---	--------------------------



8530887	8530898
 lb (kg)	2,668 lbs. (1,210 kg)



8530887	8530898
 lb (kg)	12,668 lbs. (5,746 kg)



M200-gulvfastgørelsesbase

TEKNISK DATABLAD: 8530888



Faldsikring

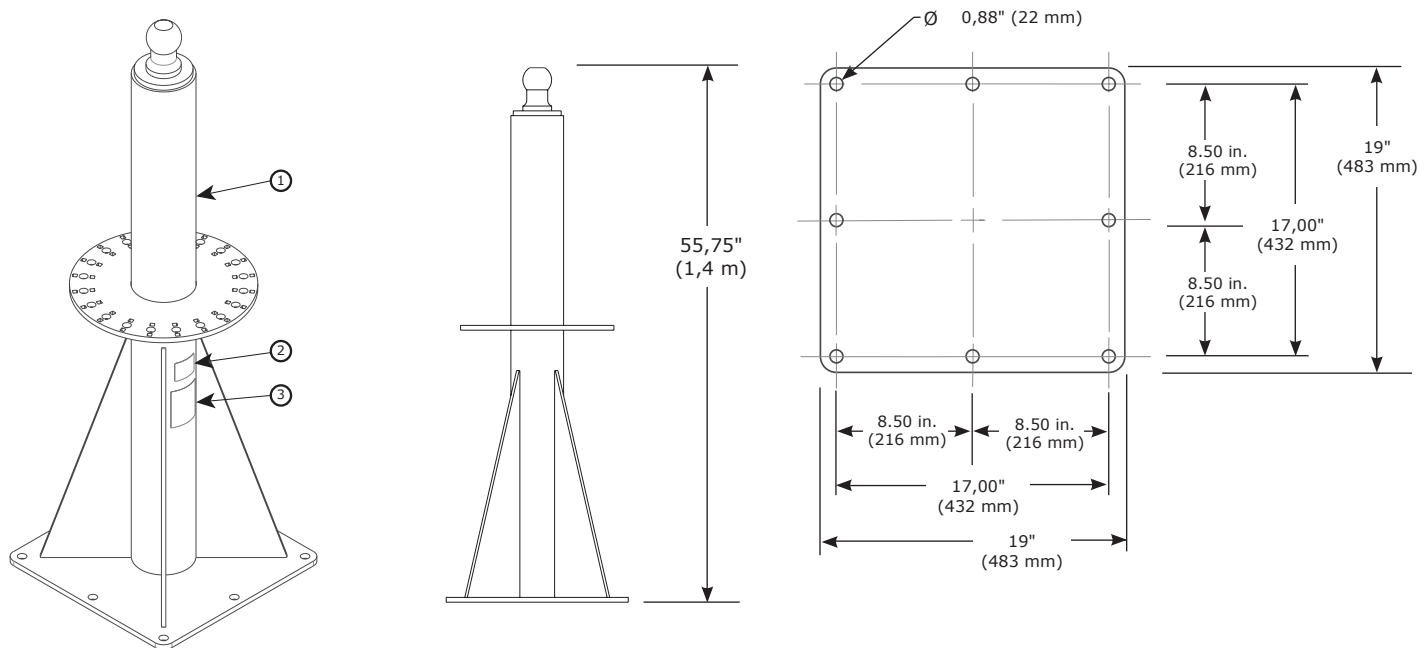
ANVENDELSE:

Gulvfastgørelsesbasen er konstrueret til forankring til godkendte strukturer og bruges som monteringspunkt for 3M's godkendte M200-moduludliggersystem.

Få flere oplysninger om produktinstallation i 3M's brugsanvisning til M200-gulvfastgørelsesbasen (5908375).

Standarder: CEN/TS 16415:2013 type A, EN795:2012 type A, OSHA 1910.140, OSHA 1926.502

	Nettovægt
8530888	265 lb. (120 kg)



Komponentliste				
	Delnummer	Beskrivelse	Materiale	Mængde
①	8549921	Basissvejsning	Stål	1
②	9514429	ID-mærkat	Polyester	1
③	9515114	Brugermærke	Polyester	1

Monteringskrav		
Mindste udtrækningskraft for fastgørelsesanordning	Monteringsstruktur, mindste momentbelastning	Monteringsstruktur, mindste lodrette belastning
9.386 lb. (4.257 kg)	501.633 in.-lb. (56.677 N-m)	3,320 lb. (1,506 kg) + basisvægt + M200-udliggerbommens vægt

M200-fastgørelsesbase

TEKNISK DATABLAD: 8530889, 8530920, 8530921



Faldsikring

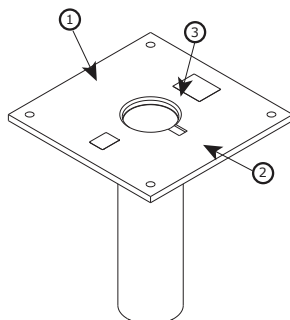
ANVENDELSE:

Fastgørelsesbasen er konstrueret til forankring til godkendte strukturer og bruges som monteringspunkt for 3M's godkendte M200-moduludliggersystem.

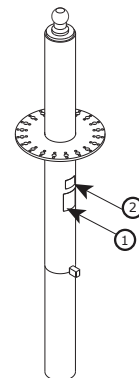
Få flere oplysninger om produktinstallation i 3M's brugsanvisning til M200-fastgørelsesbasen (5908375).

Standarder: CEN/TS 16415:2013, EN795:2012 type A, OSHA 1910.140, OSHA 1926.502

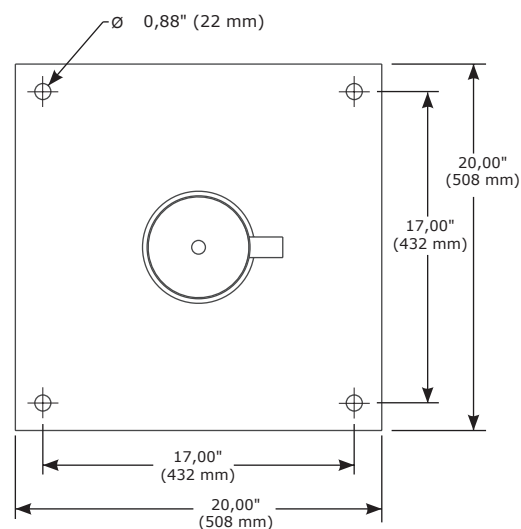
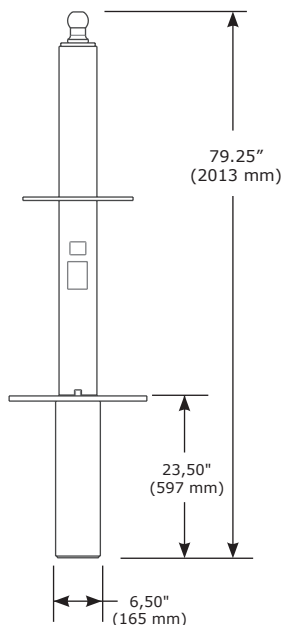
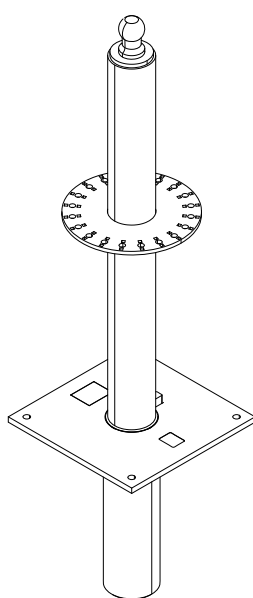
	Nettovægt
8530920	140 lb. (64 kg)



	Nettovægt
8530921	237 lb. (107 kg)



	Nettovægt
8530889	377 lb. (171 kg)



Komponentliste				
	Delnummer	Beskrivelse	Materiale	Mængde
①	9515114	Brugermærke	Polyester	1
②	9514429	ID-mærkat	Polyester	1
③	8550165	Bundhætte	Aluminiumsgummi	1

Monteringskrav	
Monteringsstruktur, mindste momentbelastning	Monteringsstruktur, mindste lodrette belastning
501.633 in-lb. (56.677 N-m)	3.320 lb. (1.506 kg) + basisvægt + M200-udliggerbommens vægt

**Arbejdsområde til
M200-gulvfastgørelsesbaser
TEKNISK DATABLAD: 8530888, 8530889**

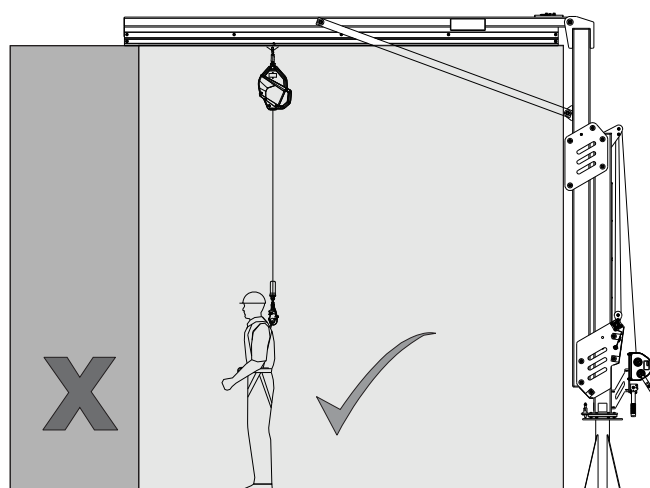
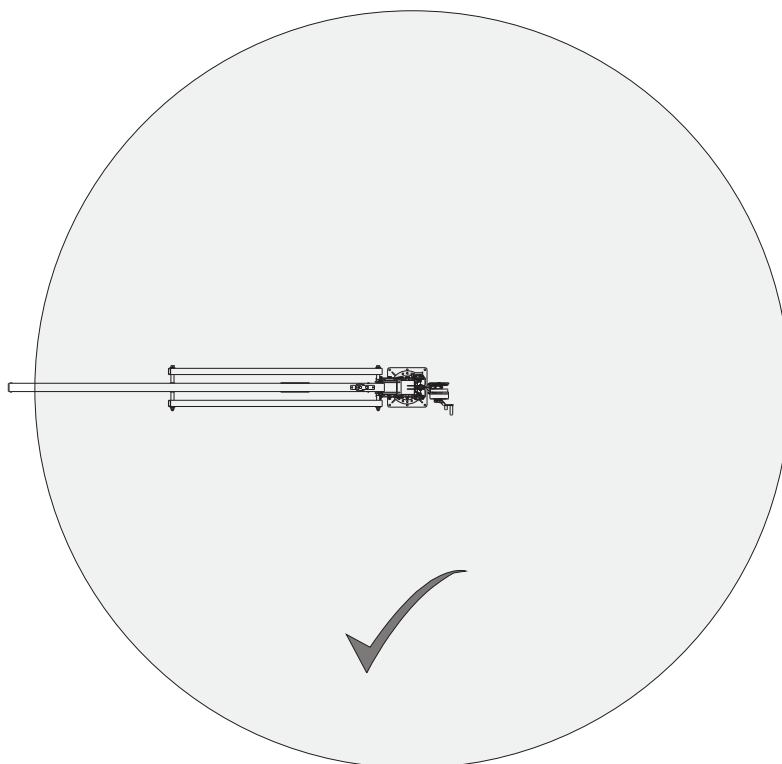
3M

DBI
SALA

Faldsikring

ANVENDELSE:

Få oplysninger om arbejdsområdet for gulvfastgørelsesbaser i nedenstående diagram.



M200-gulvlommesæt

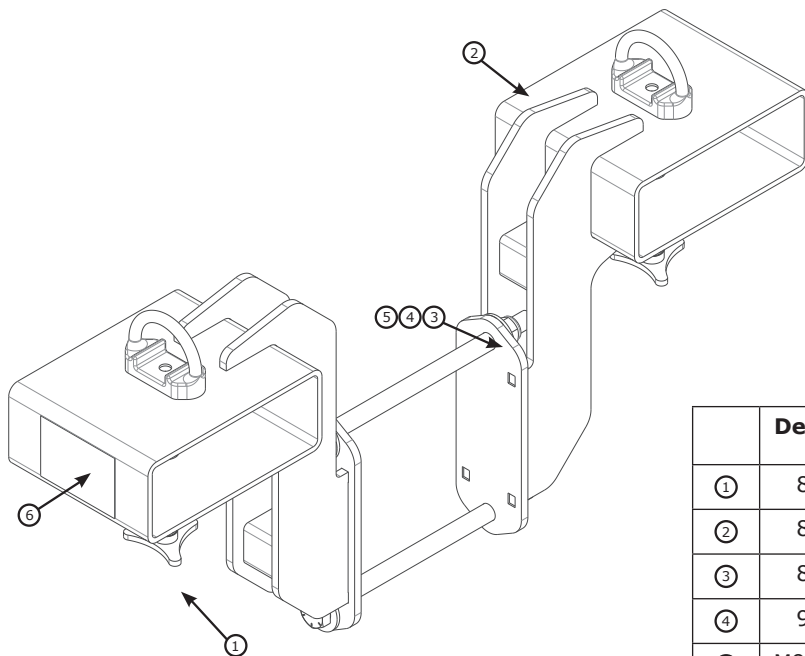
TEKNISK DATABLAD: 8530912



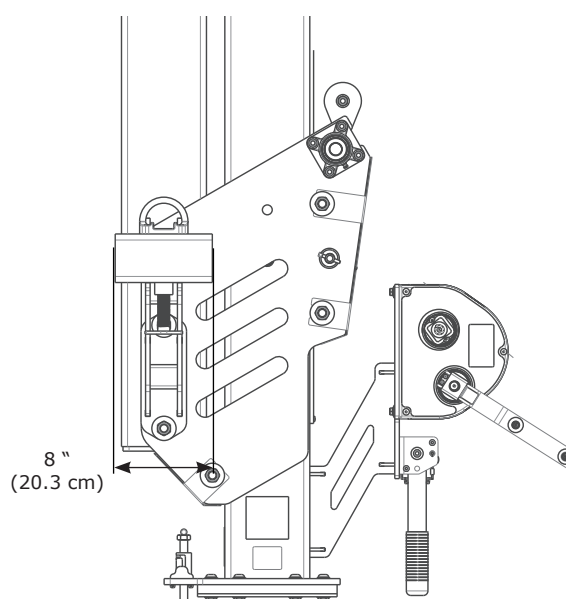
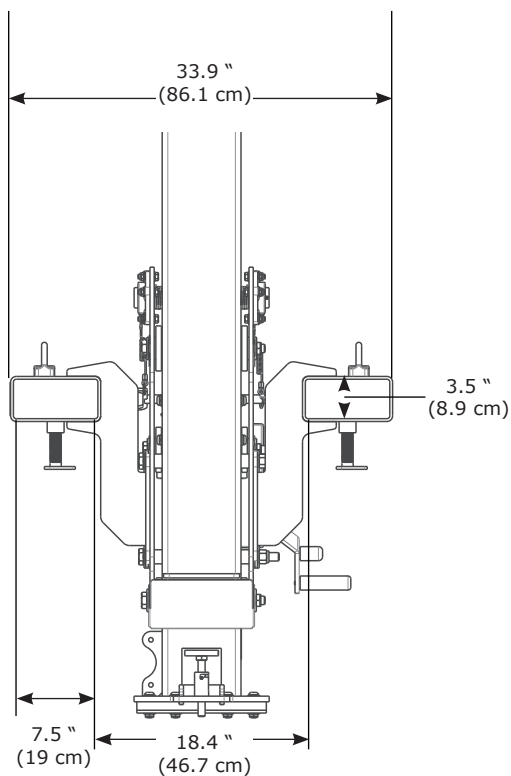
ANVENDELSE:

M200-gulvlommesættet er designet til at transportere den justerbare udliggerarm.

Få oplysninger om komponentspecifikationer i de angivne ark.



	Delnummer	Beskrivelse	Mængde
①	8550127	Tredobbelt skrue	2
②	8549905	Gaffellomme-svejsning	2
③	8518276	3/4" unbrakomøtrik	2
④	9512004	3/4" x 12" bolt	2
⑤	M970033018	3/4" skive	4
⑥	9515122	Brugermærke	1
	9500146	Kædeled	2
	8517096	Kæde	10 ft.



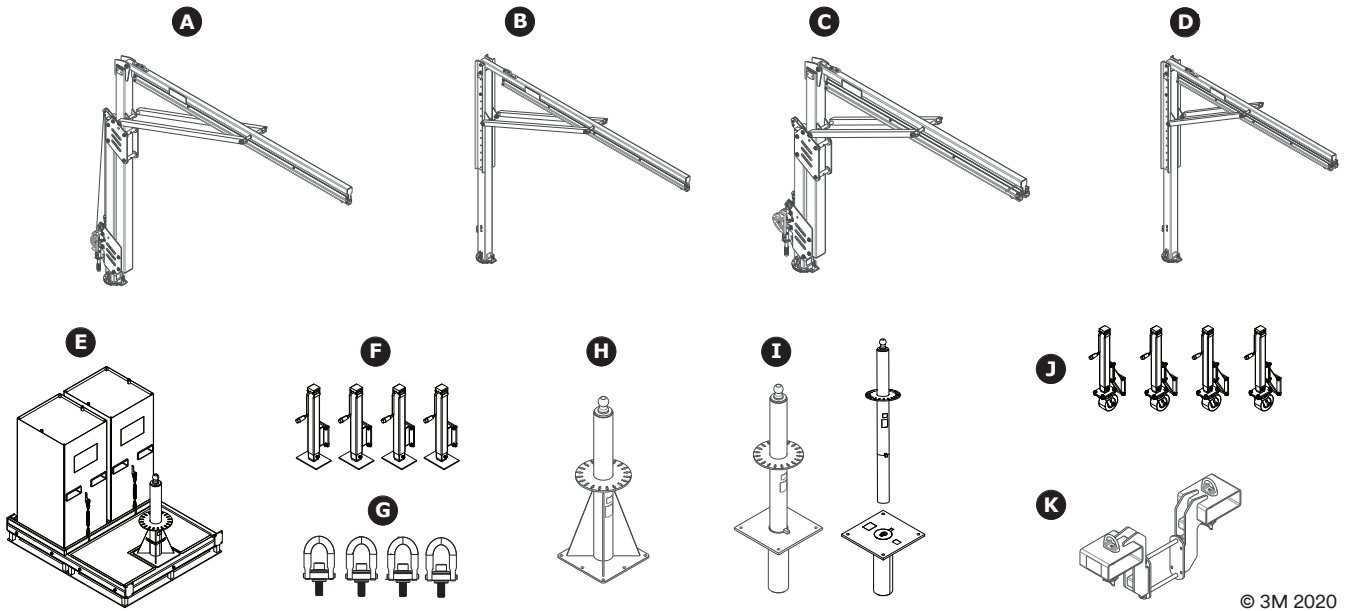


**3M™ DBI-SALA® Flexiguard™
Modulare Klüversysteme
M200**

Fall Protection

**Technisches Datenblatt Pack
5908526 Rev. C**

Be-schrei-bung	Technisches Datenblatt	Beschreibung	Seite
A	8530891	12,3 ft bis 15 ft (3,8 m bis 4,6 m) Einstellbarer Klüverbaum	37
	8530892	14,8 ft bis 20 ft (4,5 m bis 6,1 m) Einstellbarer Klüverbaum	37
	8530893	17,3 ft bis 25 ft (5,3 m bis 7,6 m) Einstellbarer Klüverbaum	37
	8530894	19,8 ft bis 30 ft (6,1 m bis 9,1 m) Einstellbarer Klüverbaum	37
B	8530899	15 ft bis 20 ft (4,6 m bis 6,1 m) Halbstationärer Klüverbaum	39
	8530900	20 ft bis 25 ft (6,1 m bis 7,6 m) Halbstationärer Klüverbaum	39
	8530901	25 ft bis 30 ft (7,6 m bis 9,1 m) Halbstationärer Klüverbaum	39
C	8530895	12,3 ft bis 15 ft (3,8 m bis 4,6 m) Einstellbarer Klüverbaum	41
	8530896	14,8 ft bis 20 ft (4,5 m bis 6,1 m) Einstellbarer Klüverbaum	41
	8530897	17,3 ft bis 25 ft (5,3 m bis 7,6 m) Einstellbarer Klüverbaum	41
	8530898	19,8 ft bis 30 ft (6,1 m bis 9,1 m) Einstellbarer Klüverbaum	41
D	8530902	15 bis 20 ft (4,6 m bis 6,1 m) Halbstationärer Klüverbaum	43
	8530903	20 ft bis 25 ft (6,1 m bis 7,6 m) Halbstationärer Klüverbaum	43
	8530904	25 ft bis 30 ft (7,6 m bis 9,1 m) Halbstationärer Klüverbaum	43
E	8530886	Ungefüllte Gegengewichtsbasis	45
	8530887	Gefüllte Gegengewichtsbasis	45
F	8530907	Hebebock Gegengewichtsbasis	47
G	8530777	Hubringe Gegengewichtsbasis	47
H	8530888	Bodenhalterungsbasis	49
I	8530889, 8530920, 8530921	Flächenbündige Basis	50
J	8530908	Räder Gegengewichtsbasis	47
K	8530912	Gabeleinfahrtaschensatz	52



Verstellbarer, modularer Klüverbaum

TECHNISCHES DATENBLATT: 8530891–8530894



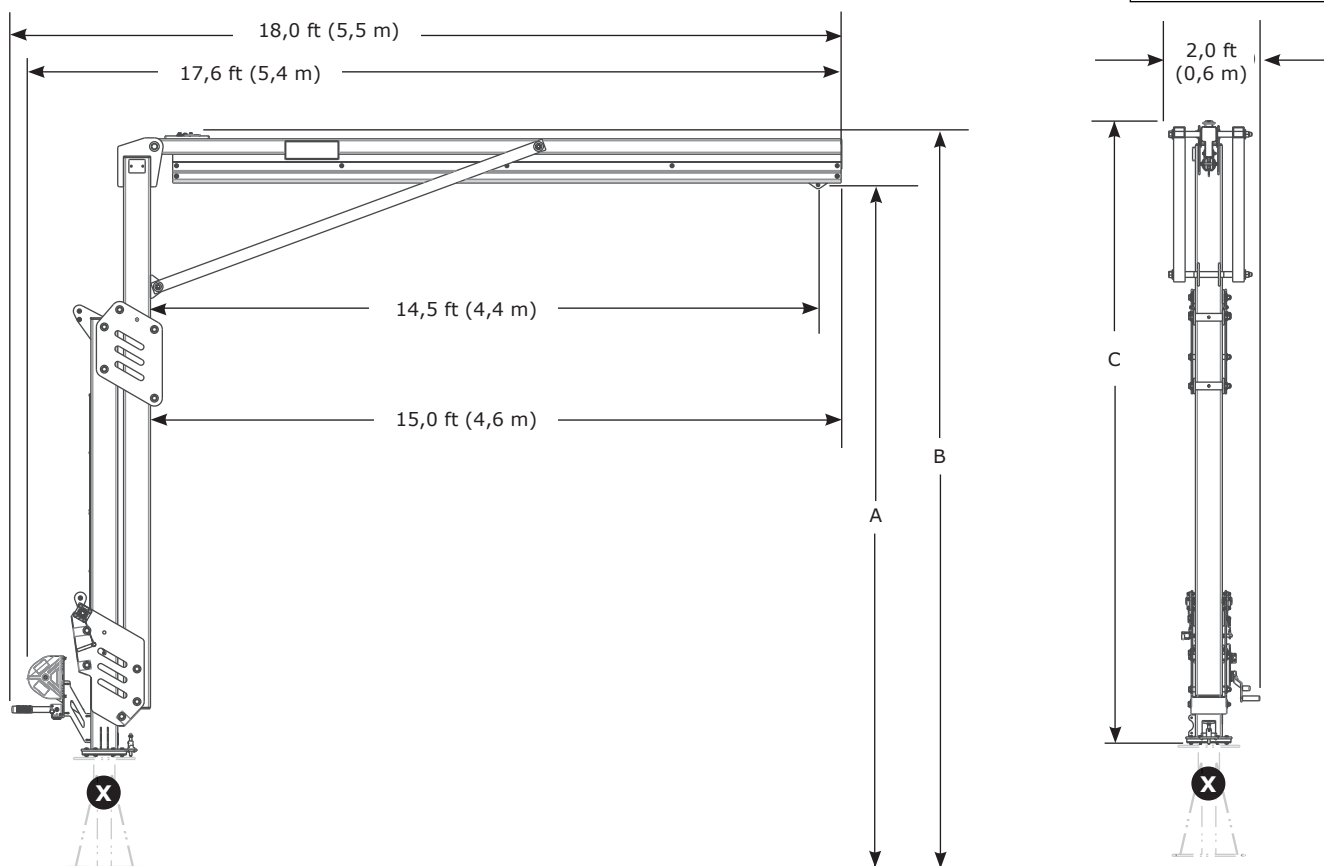
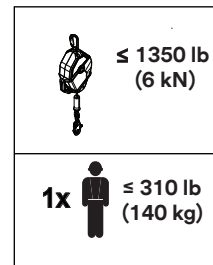
Fall Protection

ANWENDUNG:

Der modulare Klüverbaum M200 wurde entwickelt, um Verankerungspunkte für ein Absturzsicherungssystem bereitzustellen.

Weitere Informationen zur Produktinstallation finden Sie in der 3M-Bedienungsanleitung für den Klüverbaum M200 (5908372).

Normen: EN795:2012 Typ E, OSHA 1910.140, OSHA 1926.502



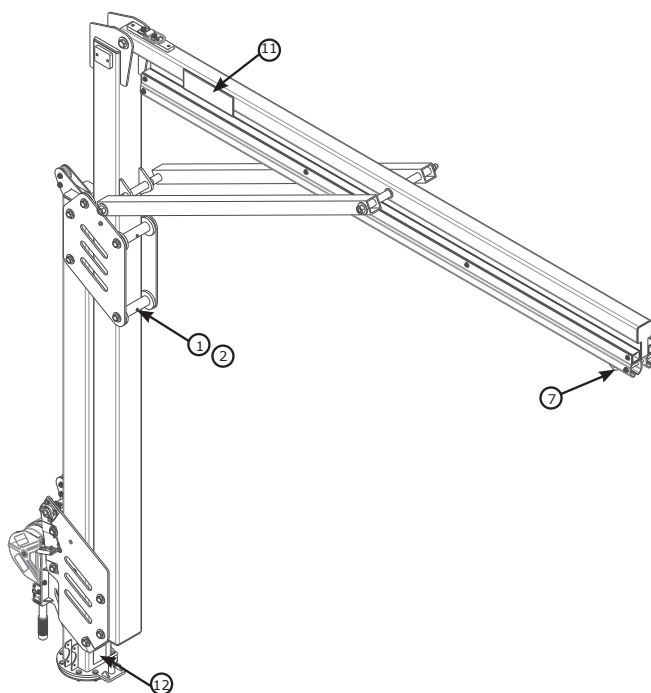
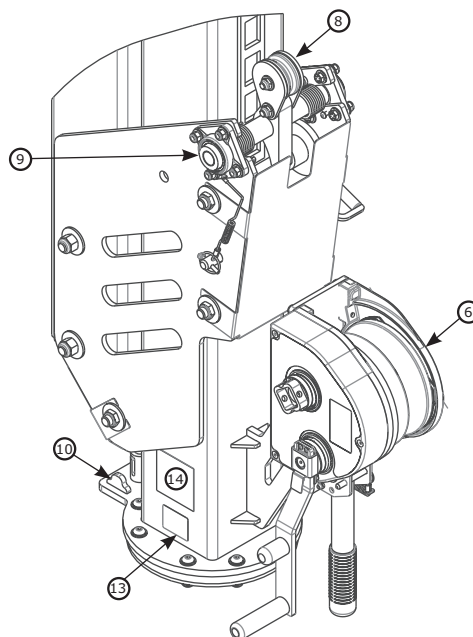
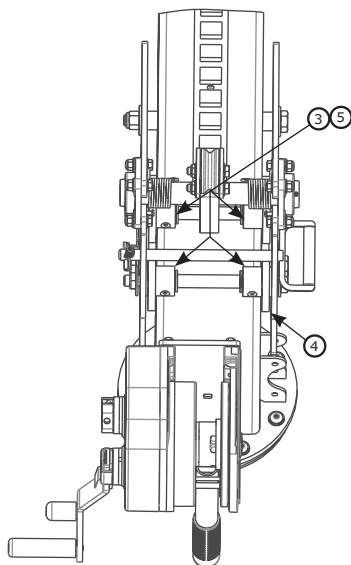
	A	B	C	lb. (kg)
8530891	12,3 ft bis 15,0 ft (3,8 m bis 4,6 m)	13,4 ft bis 16,1 ft (4,1 m bis 4,9 m)	9,8 ft bis 14,8 ft (3,0 m bis 4,5 ft)	945 lb (429 kg)
8530892	14,8 ft bis 20,0 ft (4,5 m bis 6,1 m)	15,9 ft bis 21,1 ft (4,8 m bis 6,4 m)	13,5 ft bis 18,7 ft (4,1 m bis 5,7 m)	1.057 lb (479 kg)
8530893	17,3 ft bis 25,0 ft (5,3 m bis 7,6 m)	18,4 ft bis 26,1 ft (5,6 m bis 8,0 m)	16,0 bis 23,7 ft (4,9 m bis 7,2 m)	1.169 lb (530 kg)
8530894	19,8 ft bis 30,0 ft (6,0 m bis 9,1 m)	20,9 ft bis 31,1 ft (6,4 m bis 9,5 m)	18,5 ft bis 28,7 ft (5,6 m bis 8,7 m)	1.281 lb (581 kg)

Verstellbare Komponenten des modularen Klüberbaums

TECHNISCHES DATENBLATT: 8530891-8530894



Fall Protection



Komponentenliste				
	Teile-nummer	Beschreibung	Material	Anzahl
①	8550046	Breite Laufrolle	Nylon	4
②	8550047	Breite Laufrolle, Abstandhalter	Edelstahl 304	4
③	8550327	Schmale Laufrolle	Nylon	4
④	9514703	Seitliche Laufrolle	Nylon	12
⑤	8550213	Schmale Laufrolle, Abstandhalter	Edelstahl 304	4
⑥	8549930	Winde	Stahl	1
⑦	8521711	Läufer	Stahl, Nylon	1

Komponentenliste				
	Teile-nummer	Beschreibung	Material	Anzahl
⑧	8550223	Sperrmechanismus (nur autorisierte Reparatur)	Stahl, Nylon	1
⑨	9515138	Lager	Stahl	2
⑩	8550125	Drehbegrenzer	Stahl	2
⑪	9515111	3M-Etikett	Polyester	2
⑫	9515101	Etikett „Drehung“	Polyester	1
⑬	9514429	ID-Etikett	Polyester	1
⑭	9515112	Etikett „Benutzer“	Polyester	1

Halbstationärer, modularer Klüverbaum

TECHNISCHES DATENBLATT: 8530899–8530901



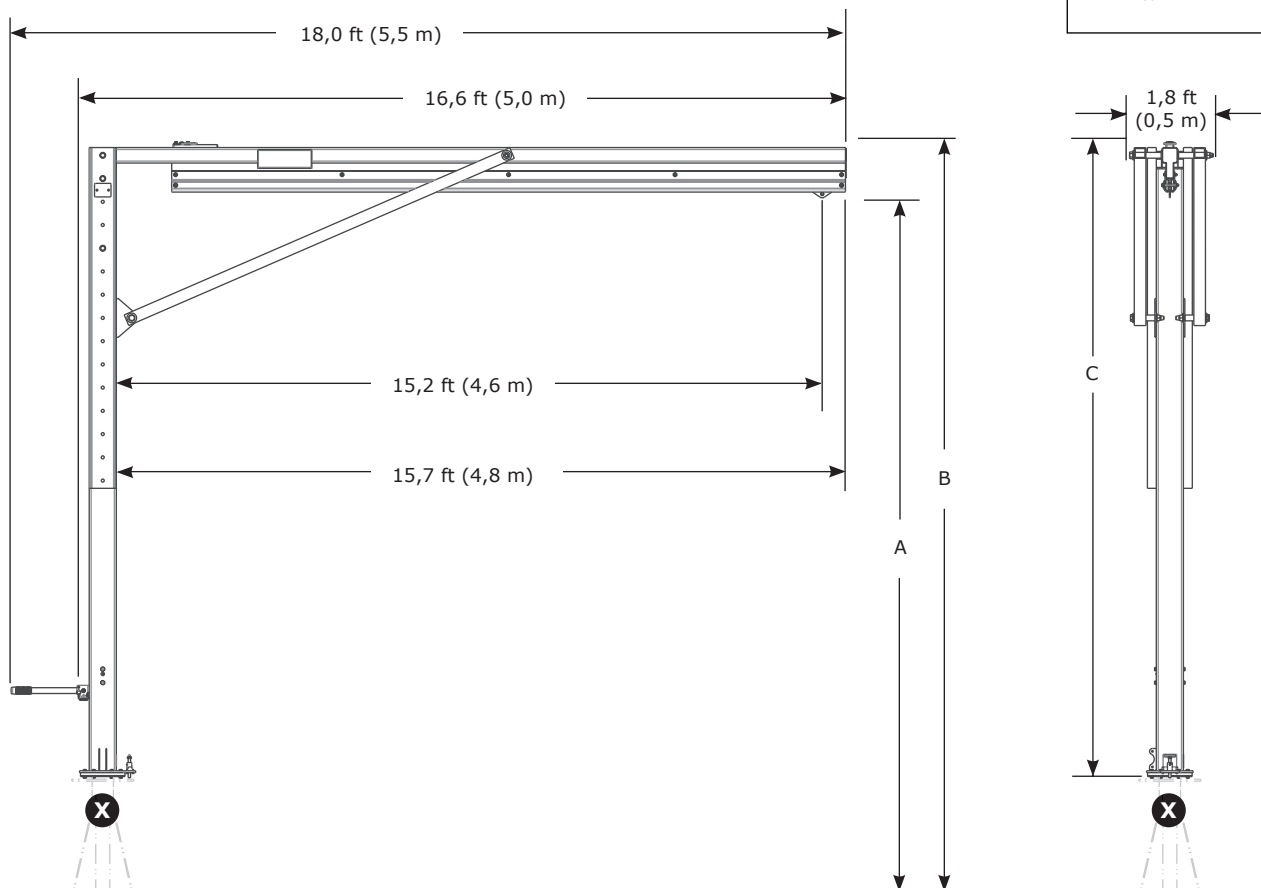
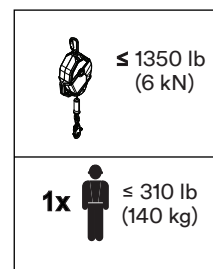
Fall Protection

ANWENDUNG:

Der modulare Klüverbaum M200 wurde entwickelt, um Verankerungspunkte für ein Absturzsicherungssystem bereitzustellen.

Weitere Informationen zur Produktinstallation finden Sie in der 3M-Bedienungsanleitung für den Klüverbaum M200 (5908372).

Normen: EN795:2012 Typ E, OSHA 1910.140, OSHA 1926.502.

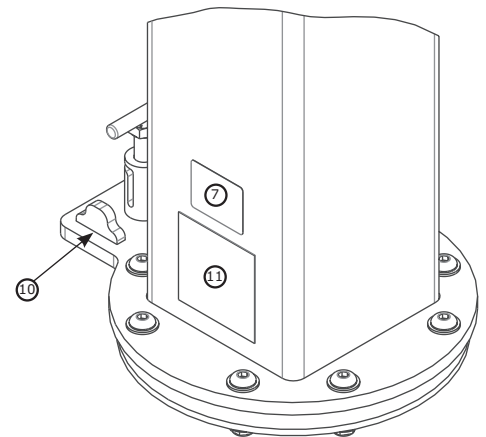
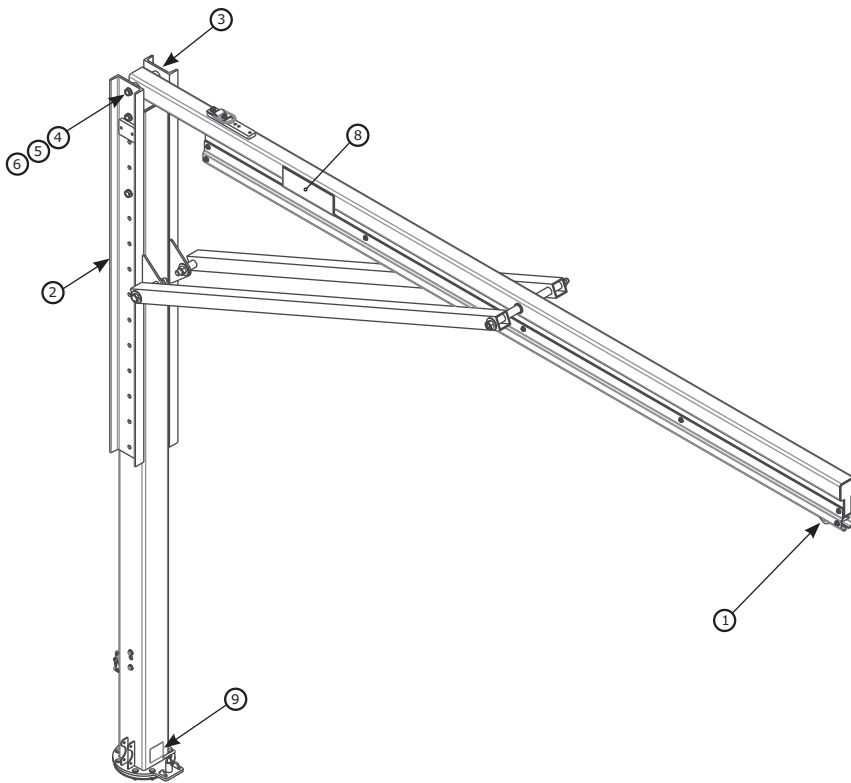


	A	B	C	lb. (kg)
8530899	15,0 ft bis 20,0 ft (4,6 m bis 6,1 m)	16,1 ft bis 21,1 ft (4,9 m bis 6,4 m)	13,7 ft bis 18,7 ft (4,2 m bis 5,7 m)	818 lb (371 kg)
8530900	20,0 ft bis 25,0 ft (6,1 m bis 7,6 m)	21,1 ft bis 26,1 ft (6,4 m bis 7,9 m)	18,7 ft bis 23,7 ft (5,7 m bis 7,2 m)	930 lb (422 kg)
8530901	25,0 ft bis 30,0 ft (7,6 m bis 9,1 m)	26,1 ft bis 31,1 ft (7,9 m bis 9,6 m)	23,7 ft bis 28,7 ft (7,2 m bis 8,7 m)	1.041 lb (472 kg)
+6" (152 mm) Einstellungsschritte				

**Komponenten des halbstationären,
modularen Klüverbaums**
TECHNISCHES DATENBLATT: 8530899-8530901



Fall Protection



	Teile- nummer	Beschreibung	Material	Anzahl
①	8521711	Läufer	Edelstahl, Stahl, Nylon	1
②	8549933	Rettung, Montagekanal	Stahl	1
③	8550248	Kanal	Stahl	1
④	8526654	3/4" x 9" Schraube	Stahl	2
⑤	8522275	3/4" Unterlegscheibe	Stahl	4
⑥	8518276	3/4" Mutter	Stahl	2
⑦	9514429	ID-Etikett	Polyester	1

	Teile- nummer	Beschreibung	Material	Anzahl
⑧	9515111	3M-Etikett	Polyester	2
⑨	9515101	Etikett „Drehung“	Polyester	1
⑩	8550125	Drehbegrenzer	Stahl	2
⑪	9515112	Etikett „Benutzer“	Polyester	1

Verstellbarer, modularer Klüverbaum

TECHNISCHES DATENBLATT: 8530895–8530898



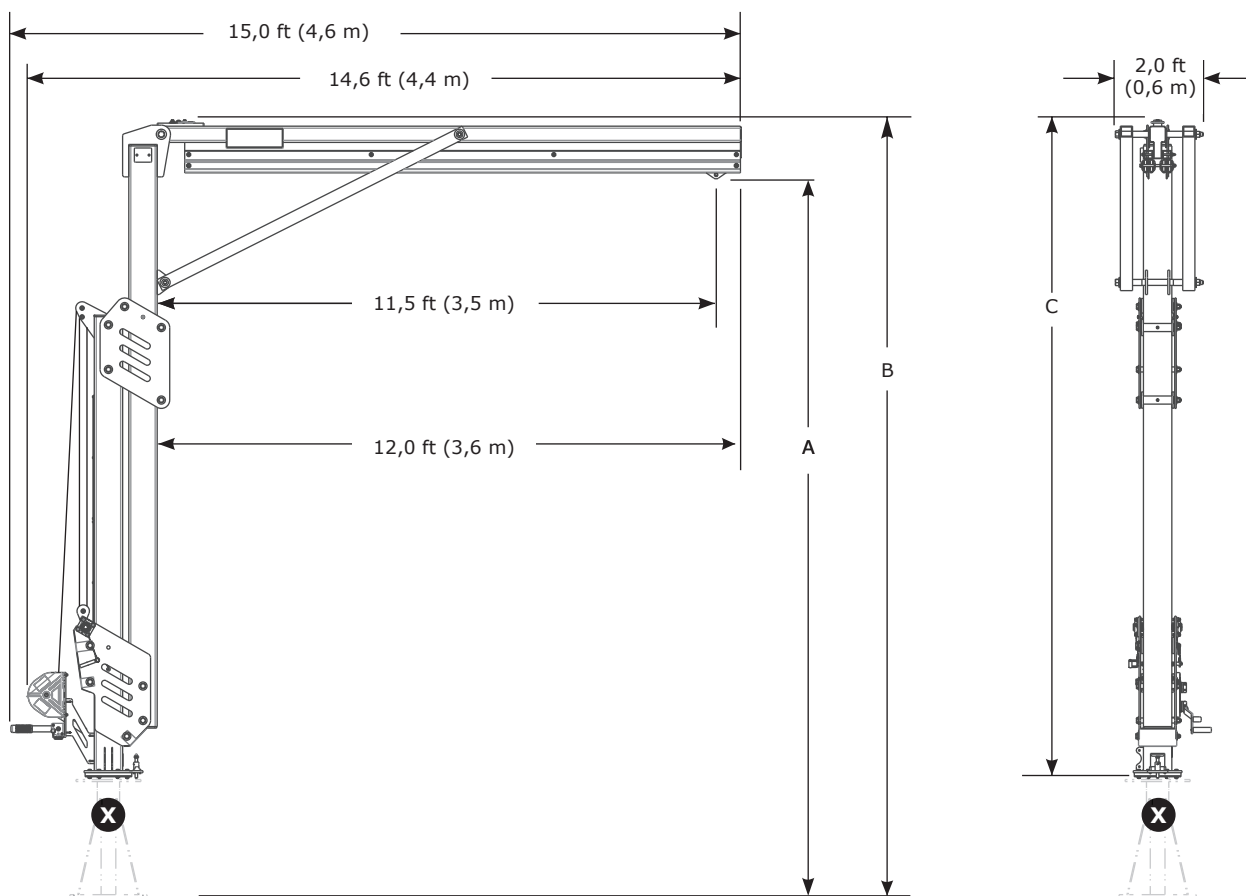
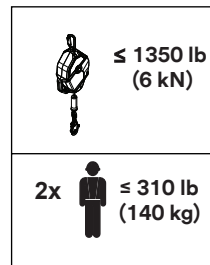
Fall Protection

ANWENDUNG:

Der modulare Klüverbaum M200 wurde entwickelt, um Verankerungspunkte für ein Absturzsicherungssystem bereitzustellen.

Weitere Informationen zur Produktinstallation finden Sie in der 3M-Bedienungsanleitung für den Klüverbaum M200 (5908372).

Normen: CEN/TS 16415:2013 Typ E, EN795:2012 Typ E, OSHA 1910.140, OSHA 1926.502



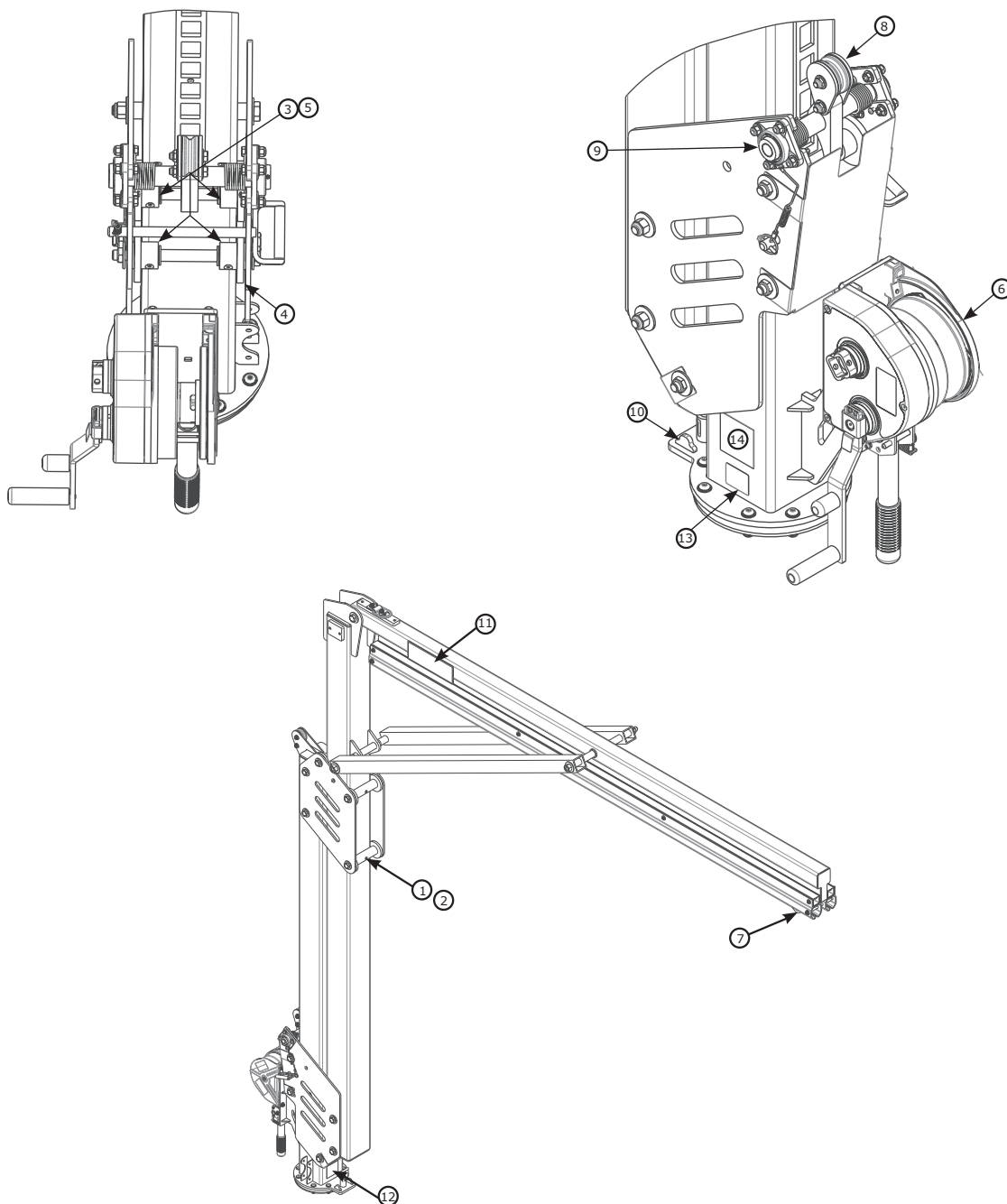
	A	B	C	lb. (kg)
8530895	12,3 ft bis 15,0 ft (3,8 m bis 4,6 m)	13,4 ft bis 16,1 ft (4,1 m bis 4,9 m)	11,0 ft bis 13,7 ft (3,4 m bis 4,2 ft)	1.011 lb (459 kg)
8530896	14,8 ft bis 20,0 ft (4,5 m bis 6,1 m)	15,9 ft bis 21,1 ft (4,8 m bis 6,4 m)	13,5 ft bis 18,7 ft (4,1 m bis 5,7 m)	1.123 lb (509 kg)
8530897	17,3 ft bis 25,0 ft (5,3 m bis 7,6 m)	18,4 ft bis 26,1 ft (5,6 m bis 8,0 m)	16,0 bis 23,7 ft (4,9 m bis 7,2 m)	1.235 lb (560 kg)
8530898	19,8 ft bis 30,0 ft (6,0 m bis 9,1 m)	20,9 ft bis 31,1 ft (6,4 m bis 9,5 m)	18,5 ft bis 28,7 ft (5,6 m bis 8,7 m)	1.343 lb (609 kg)

Verstellbare Komponenten des modularen Klüverbaums

TECHNISCHES DATENBLATT: 8530895-8530898



Fall Protection



Komponentenliste				
	Teile-nummer	Beschreibung	Material	Anzahl
①	8550046	Breite Laufrolle	Nylon	4
②	8550047	Breite Laufrolle Abstandshalter	Edelstahl 304	4
③	8550327	Schmale Laufrolle	Nylon	4
④	9514703	Seitliche Laufrolle	Nylon	12
⑤	8550213	Schmale Laufrolle, Abstandshalter	Edelstahl 304	4
⑥	8549930	Winde	Stahl	1
⑦	8521711	Läufer	Stahl, Nylon	1

Komponentenliste				
	Teile-nummer	Beschreibung	Material	Anzahl
⑧	8550223	Sperrmechanismus (nur autorisierte Reparatur)	Stahl, Nylon	1
⑨	9515138	Lager	Stahl	2
⑩	8550125	Drehbegrenzer	Stahl	2
⑪	9515111	3M-Etikett	Polyester	2
⑫	9515101	Etikett „Drehung“	Polyester	1
⑬	9514429	ID-Etikett	Polyester	1
⑭	9515112	Etikett „Benutzer“	Polyester	1

Halbstationärer, modularer Klüverbaum

TECHNISCHES DATENBLATT: 8530902–8530904



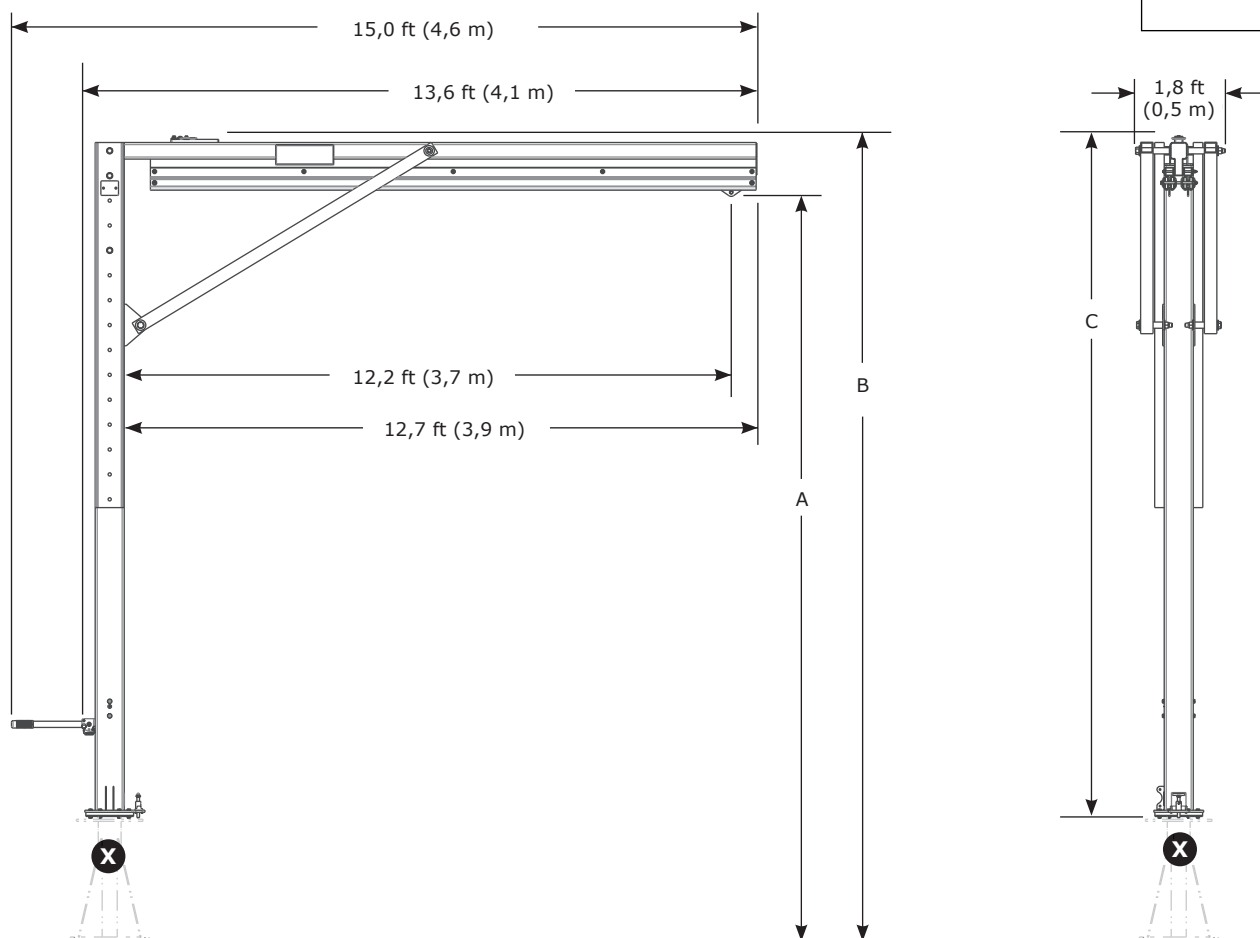
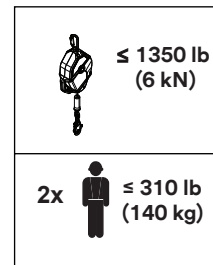
Fall Protection

ANWENDUNG:

Der modulare Klüverbaum M200 wurde entwickelt, um Verankerungspunkte für ein Absturzsicherungssystem bereitzustellen.

Weitere Informationen zur Produktinstallation finden Sie in der 3M-Bedienungsanleitung für den Klüverbaum M200 (5908372).

Normen: CEN/TS 16415:2013 Typ E, EN795:2012 Typ E, OSHA 1910.140, OSHA 1926.502.

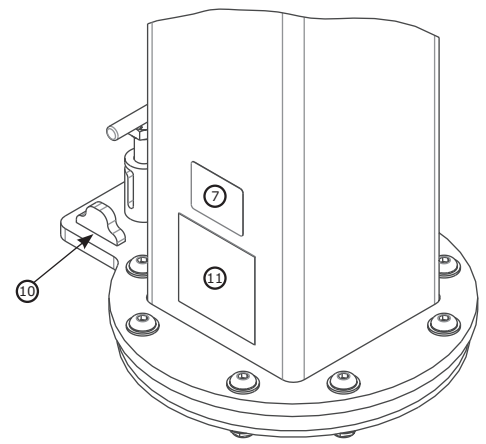
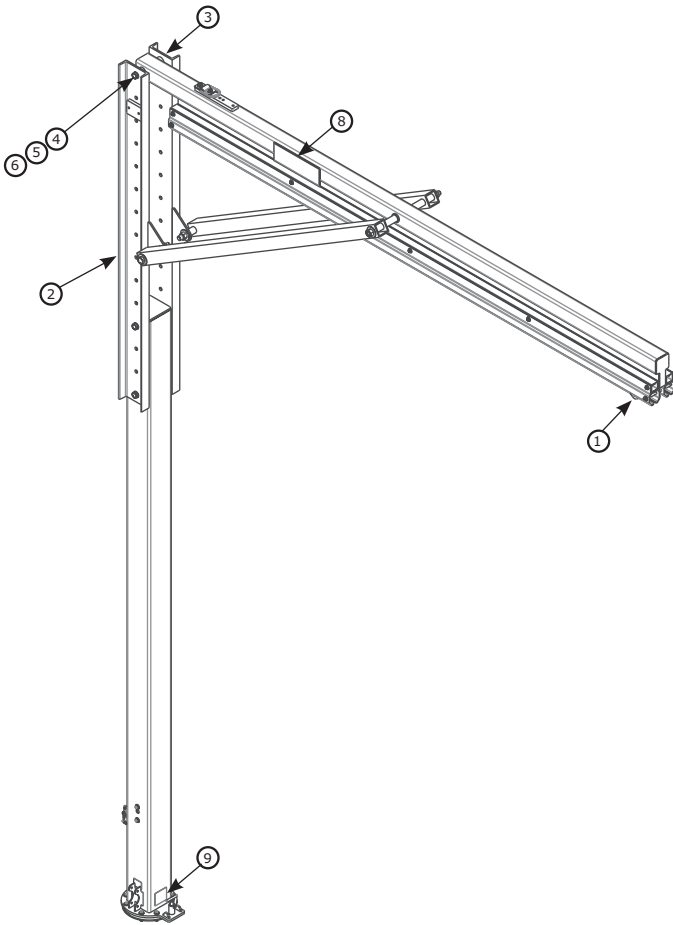


	A	B	C	lb. (kg)
8530902	15,0 ft bis 20,0 ft (4,6 m bis 6,1 m)	16,1 ft bis 21,1 ft (4,9 m bis 6,4 m)	13,7 ft bis 18,7 ft (4,2 m bis 5,7 m)	850 lb (386 kg)
8530903	20,0 ft bis 25,0 ft (6,1 m bis 7,6 m)	21,1 ft bis 26,1 ft (6,4 m bis 7,9 m)	18,7 ft bis 23,7 ft (5,7 m bis 7,2 m)	961 lb (436 kg)
8530904	25,0 ft bis 30,0 ft (7,6 m bis 9,1 m)	26,1 ft bis 31,1 ft (7,9 m bis 9,6 m)	23,7 ft bis 28,7 ft (7,2 m bis 8,7 m)	1.073 lb (487 kg)

**Komponenten des halbstationären,
modularen Klüverbaums**
TECHNISCHES DATENBLATT: 8530902-8530904



Fall Protection



	Teile- nummer	Beschreibung	Material	Anzahl
①	8521711	Läufer	Edelstahl, Stahl, Nylon	1
②	8549933	Rettung, Montagekanal	Stahl	1
③	8550248	Kanal	Stahl	1
④	8526654	3/4" x 9" Schraube	Stahl	2
⑤	8522275	3/4" Unterlegscheibe	Stahl	4
⑥	8518276	3/4" Mutter	Stahl	2
⑦	9514429	ID-Etikett	Polyester	1

	Teile- nummer	Beschreibung	Material	Anzahl
⑧	9515111	3M-Etikett	Polyester	2
⑨	9515101	Etikett „Drehung“	Polyester	1
⑩	8550125	Drehbegrenzer	Stahl	2
⑪	9515112	Etikett „Benutzer“	Polyester	1

Gegengewichtsbasis M200

TECHNISCHES DATENBLATT: 8530886, 8530887



Fall Protection

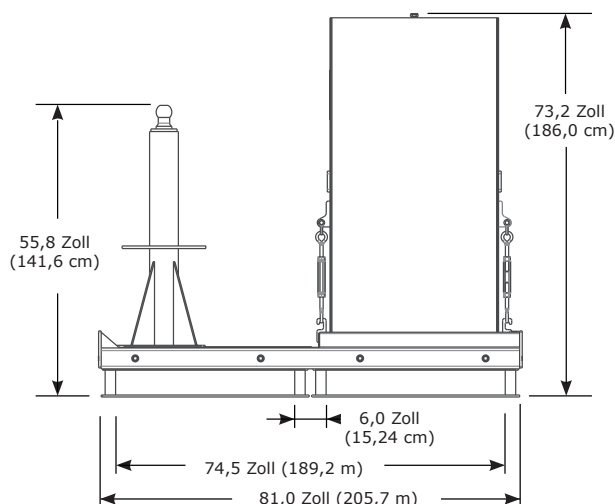
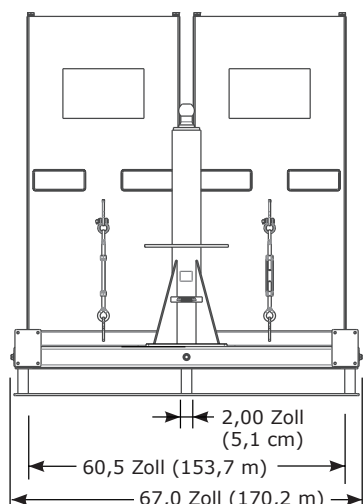
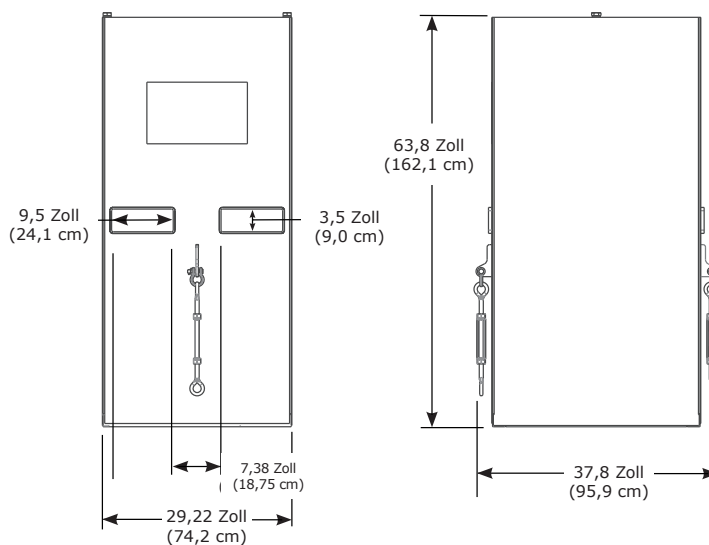
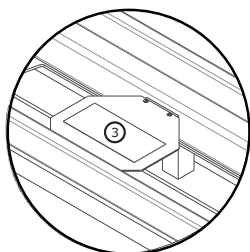
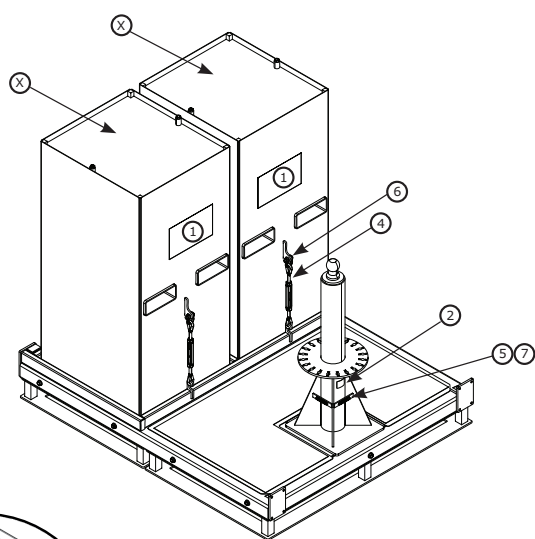
ANWENDUNG:

Die Gegengewichtsbasis ist so ausgelegt, dass sie mit Beton gefüllt und als Befestigungspunkt für das modulare 3M™ DBI- SALA® Flexiguard™ Klüversystem M200 verwendet werden kann.

Weitere Informationen zur Produktinstallation finden Sie in der 3M-Bedienungsanleitung für die Betonbasis M200 (5908374).

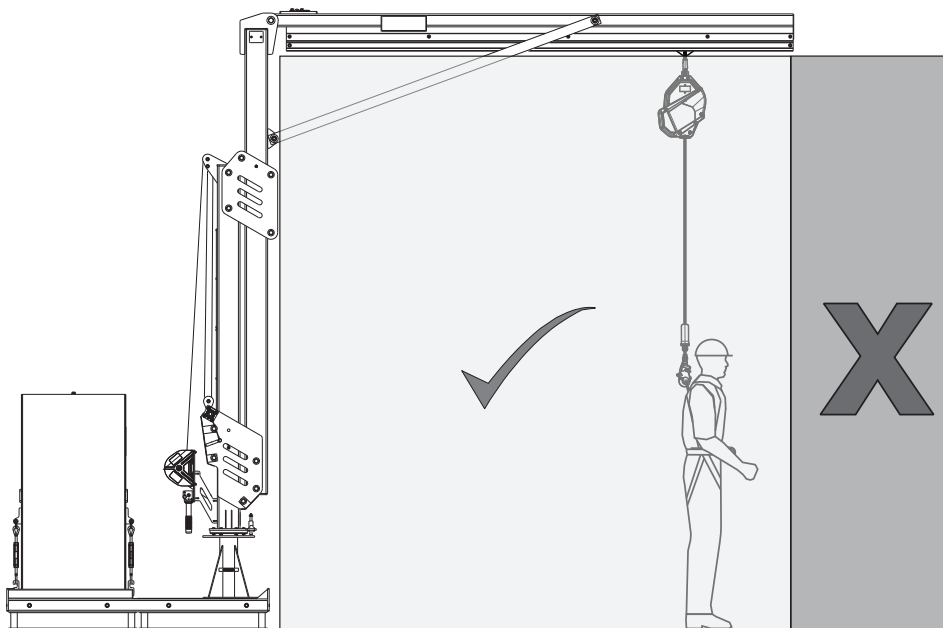
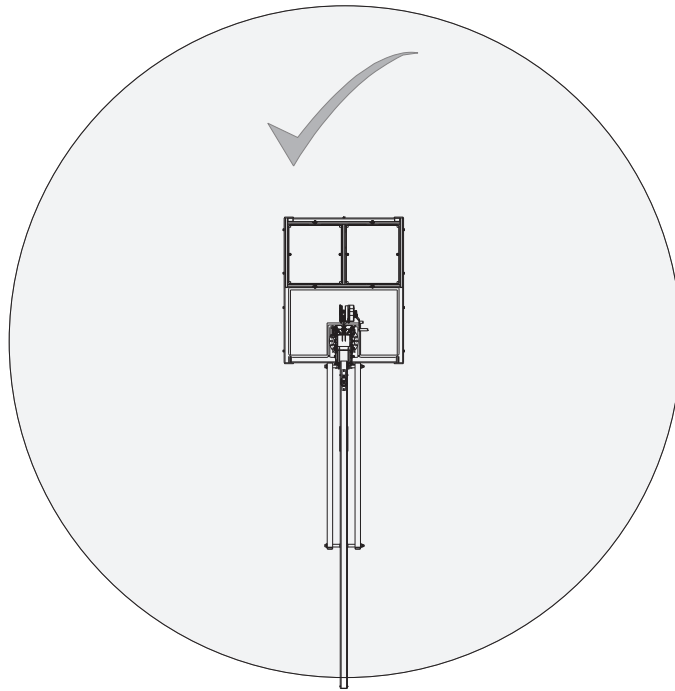
Normen: CEN/TS 16415:2013 Typ E, EN795:2012 Typ E, OSHA 1910.140, OSHA 1926.502

	X 4.000 psi (30 MPa)	Stützstruktur- anforderun- gen	Nettogewicht	Komponentenliste				
				Teile- nummer	Beschreibung	Material	Anzahl	
8530886		14.645 lb (6.643 kg) + Gewicht des Klüverbaums M200	2.407 lb (1.092 kg)	①	9515107	Etikett „Benutzer“	Polyester	1
8530887	✓		11.325 lb (5.137 kg)	②	9514429	ID-Etikett	Polyester	1
				③	9515106	Warnetikett	Polyester	1
				④	8520575	Spannschraube	Stahl	2
				⑤	9513627	#4 Schraube	Stahl	4
				⑥	9501794	Bügel	Stahl	2
				⑦	9515058	Nivellierlibelle	Kunststoff	2



ANWENDUNG:

Der Arbeitsbereich der Betonmontagebasis M200 ist in der folgenden Abbildung dargestellt.



Zubehör Gegengewichtsbasis M200

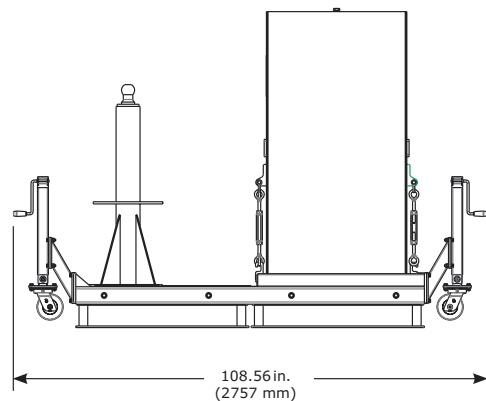
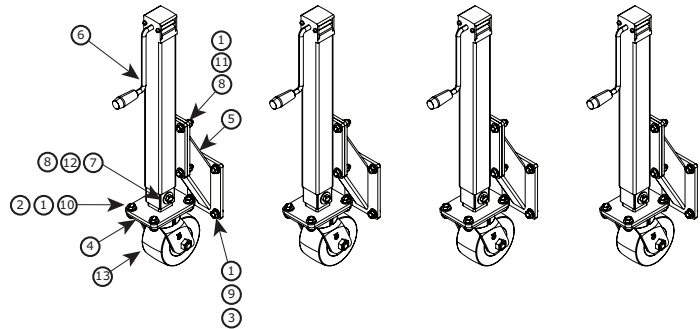
TECHNISCHES DATENBLATT: 8530908, 8530907, 8530777



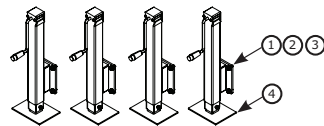
Fall Protection

Gewicht	
8530908	152 lb (69 kg)

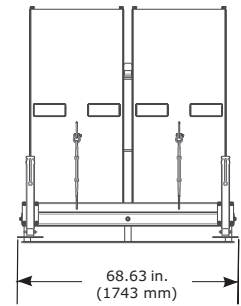
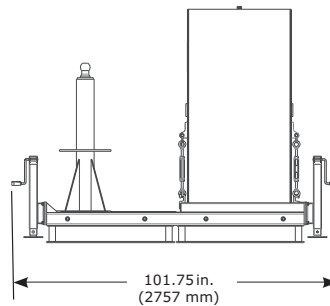
Komponentenliste				
Teile-nummer	Beschreibung	Material	Anzahl	
①	8510037	1/2" Unterlegscheibe	Stahl	80
②	8512460	1/2" x 1 1/4" Schraube	Stahl	16
③	8518432	1/2" x 1" Schraube	Stahl	16
④	8550153	Radverschweißung	Stahl	4
⑤	8550155	Gewinkelte Verschweißung	Stahl	4
⑥	8550156	Montierte Verschweißung	Stahl	4
⑦	9501243	1/2" Unterlegscheibe	Stahl	8
⑧	9501831	1/2" Sechskantmutter	Stahl	20
⑨	9504221	1/2" Unterlegscheibe	Stahl	16
⑩	9504813	1/2" Sechskantmutter	Stahl	16
⑪	9509276	1/2" x 1 3/4" Schraube	Stahl	16
⑫	9510153	1/2" x 3 1/4" Schraube	Stahl	4
⑬	9515081	Lenkrolle	Stahl, Urethan	4



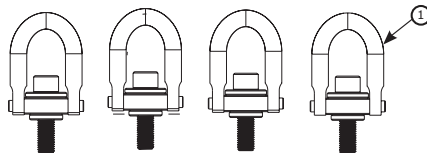
Gewicht	
8530907	108 lb (49 kg)



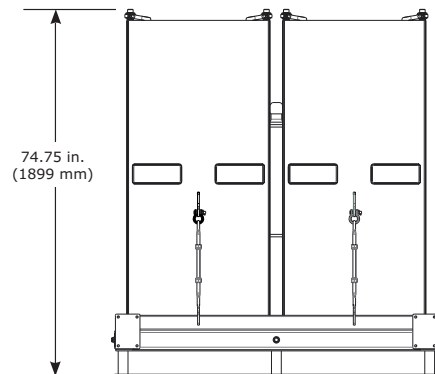
Teile-nummer	Beschreibung	Material	Anzahl	
①	9504221	1/2" Sicherungsscheibe	Stahl	16
②	8510037	1/2" Unterlegscheibe	Stahl	16
③	8518432	1/2" x 1" Schraube	Stahl	16
④	8550177	Radverschweißung	Stahl	4



Gewicht	
8530777	12 lb (5,4 kg)



Komponentenliste				
Teilenummer	Beschreibung	Material	Anzahl	
①	9512574	Hubring	Stahl	4



Schwerpunkt M200 Gegengewichtsbasis

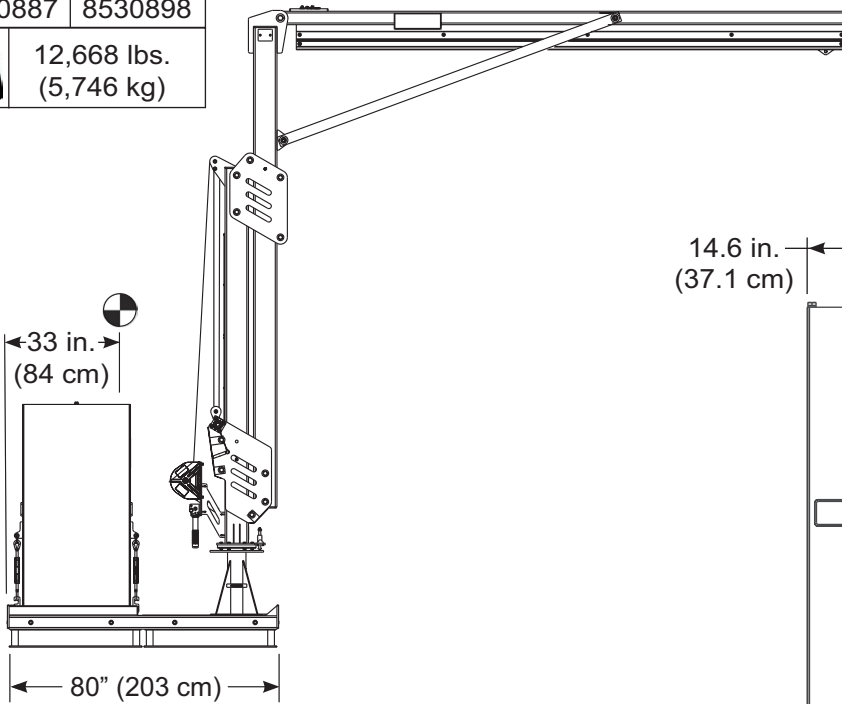
TECHNISCHES DATENBLATT: 8530886, 8530887



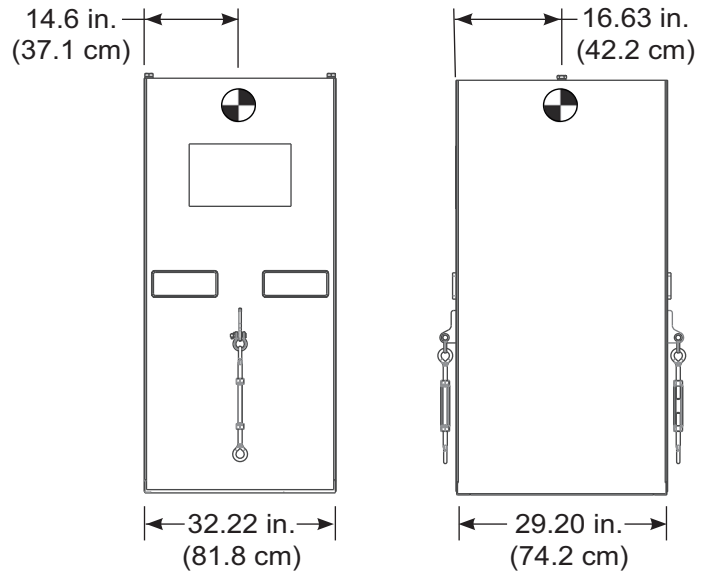
Fall Protection

8530887 8530898

12,668 lbs.
(5,746 kg)

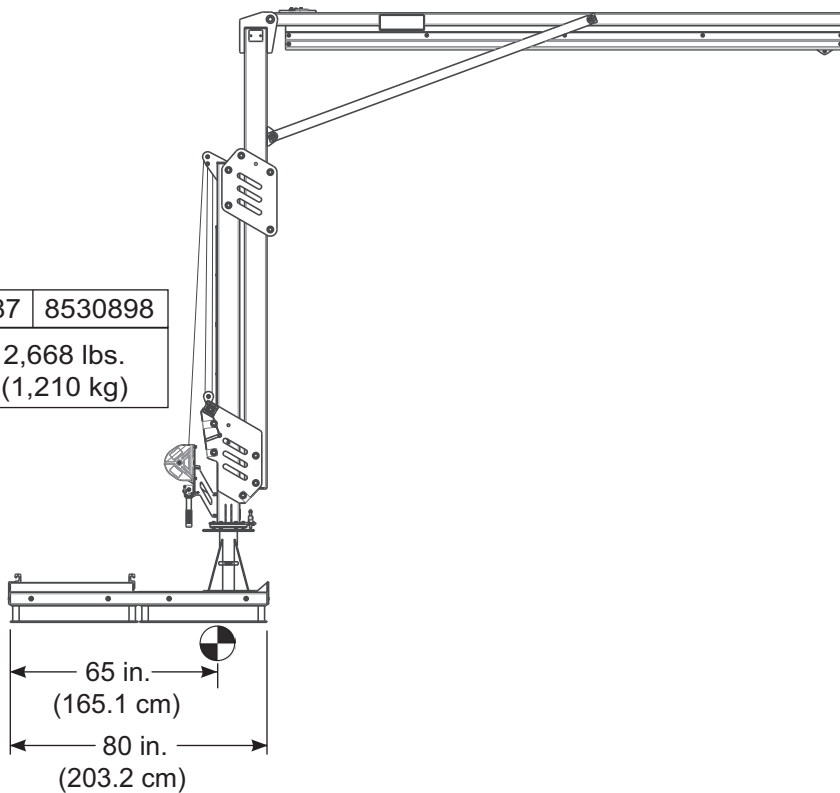


5,000 lbs.
(2,268 kg)



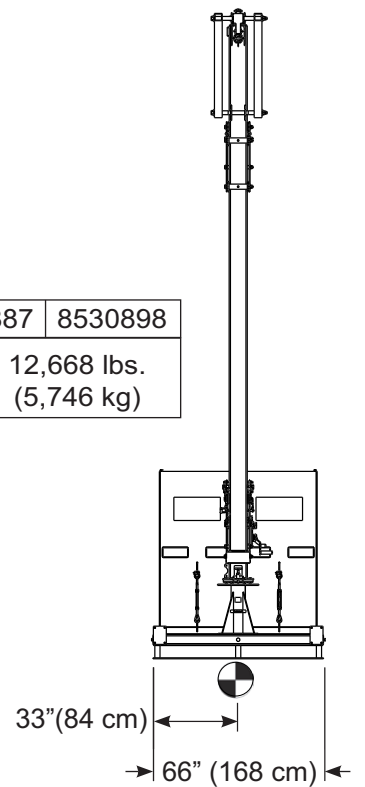
8530887 8530898

2,668 lbs.
(1,210 kg)



8530887 8530898

12,668 lbs.
(5,746 kg)



Bodenmontagebasis M200

TECHNISCHES DATENBLATT: 8530888



Fall Protection

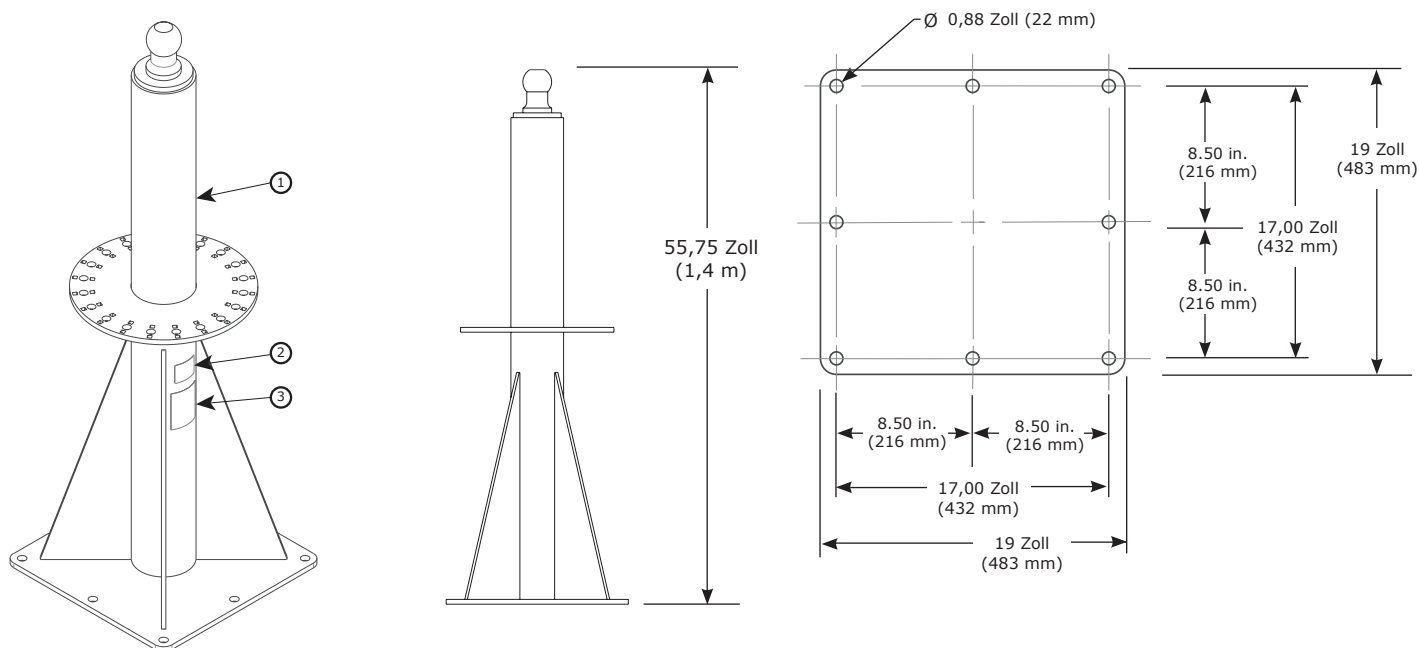
ANWENDUNG:

Die Bodenmontagebasis ist für die Verankerung an zugelassenen Strukturen ausgelegt und dient als Montagepunkt für das von 3M zugelassene modulare Klüversystem M200.

Weitere Informationen zur Produktinstallation finden Sie in der 3M-Bedienungsanleitung für die Bodenmontagebasis M200 (5908375).

Normen: CEN/TS 16415:2013 Typ A, EN795:2012 Typ A, OSHA 1910.140, OSHA 1926.502

	Nettogewicht
8530888	265 lb (120 kg)



Komponentenliste				
	Teilenummer	Beschreibung	Material	Anzahl
①	8549921	Basisverschweißung	Stahl	1
②	9514429	ID-Etikett	Polyester	1
③	9515114	Etikett „Benutzer“	Polyester	1

Montageanforderungen		
Mindestauszugskraft für Befestigungsmittel	Montagestruktur Minimale Momentbelastung	Montagestruktur Minimale vertikale Belastung
9.386 lb (4.257 kg)	501.633 in-lb (56.677 N-m)	3.320 lb (1.506 kg) + Grundgewicht + Gewicht des Klüverbaums M200

Flächenbündige Basis M200

TECHNISCHES DATENBLATT: 8530889, 5830920, 8530921



Fall Protection

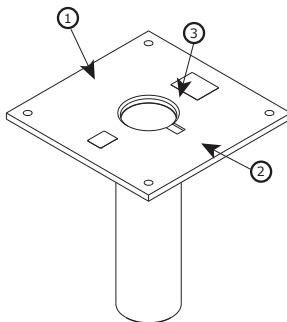
ANWENDUNG:

Die flächenbündige Basis ist für die Verankerung an zugelassenen Strukturen ausgelegt und dient als Montagepunkt für das von 3M zugelassene modulare Klüversystem M200.

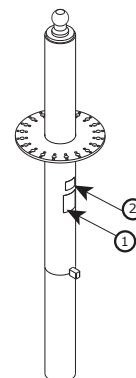
Weitere Informationen zur Produktinstallation finden Sie in der 3M-Bedienungsanleitung für die flächenbündige Basis M200 (5908375).

Normen: CEN/TS 16415:2013, EN795:2012 Typ A, OSHA 1910.140, OSHA 1926.502

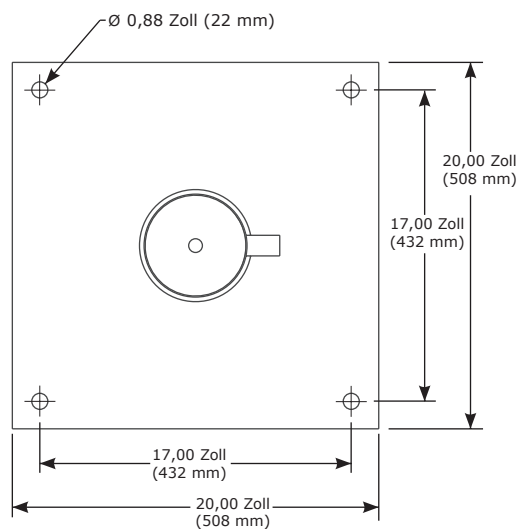
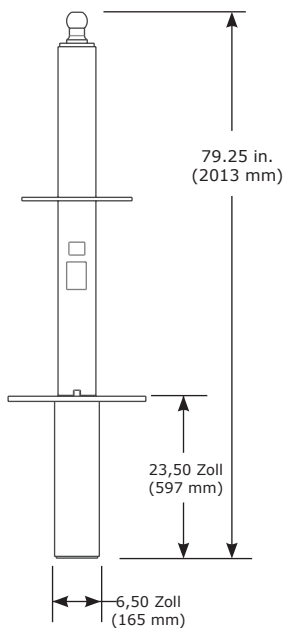
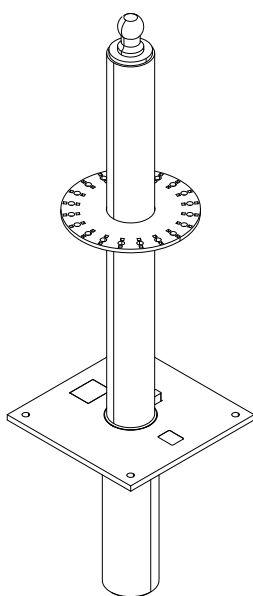
	Nettogewicht
8530920	140 lb. (64 kg)



	Nettogewicht
8530921	237 lb. (107 kg)



	Nettogewicht
8530889	377 lb (171 kg)

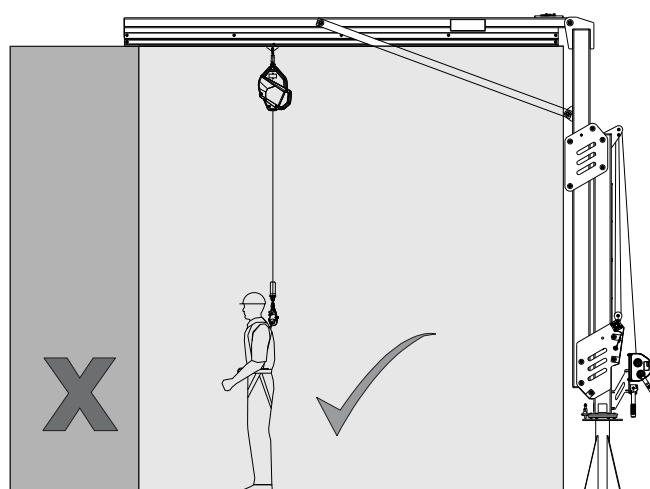
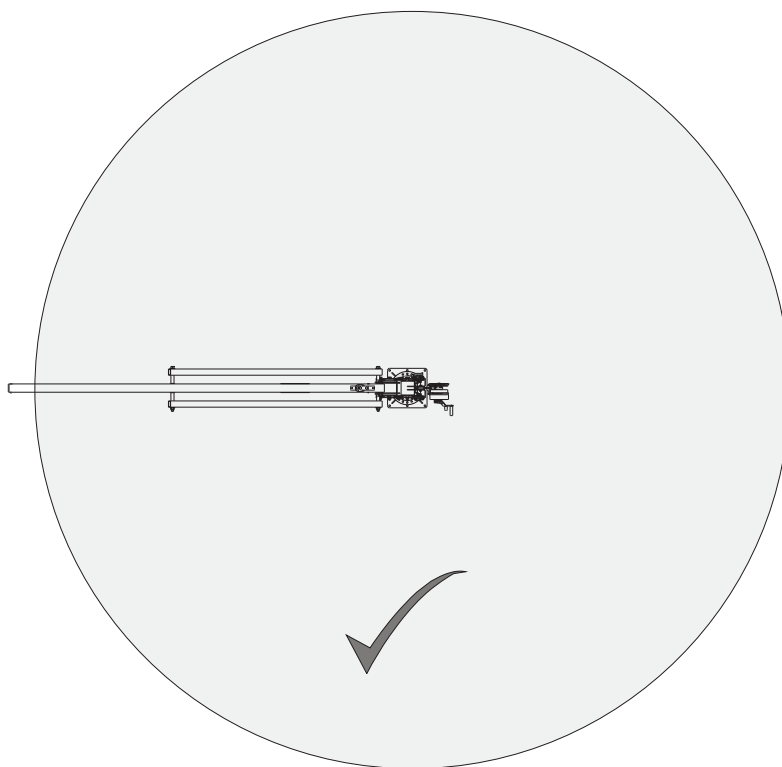


Komponentenliste				
	Teilenummer	Beschreibung	Material	Anzahl
①	9515114	Etikett „Benutzer“	Polyester	1
②	9514429	ID-Etikett	Polyester	1
③	8550165	Basisabdeckung	Aluminium, Gummi	1

Montageanforderungen	
Montagestruktur Minimale Momentbelastung	Montagestruktur Minimale vertikale Belastung
501.633 in-lb (56.677 N-m)	3.320 lb (1.506 kg) + Grundgewicht + Gewicht des Klüverbaums M200

ANWENDUNG:

Der Arbeitsbereich der Bodenmontagebasen ist in der folgenden Abbildung dargestellt.



M200 Bodeneinfahrtaschensatz

TECHNISCHES DATENBLATT: 8530912

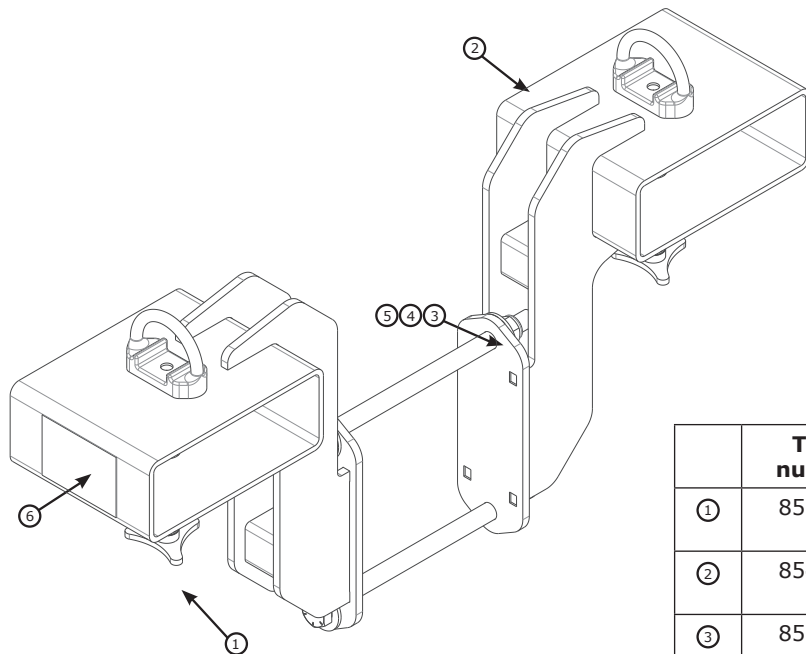


Fall Protection

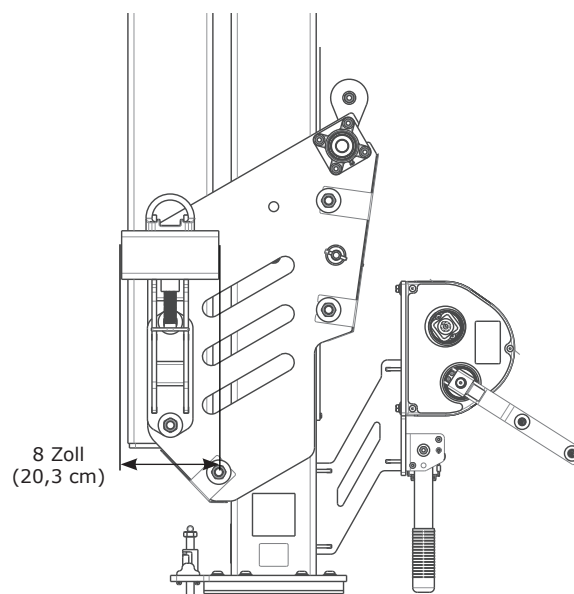
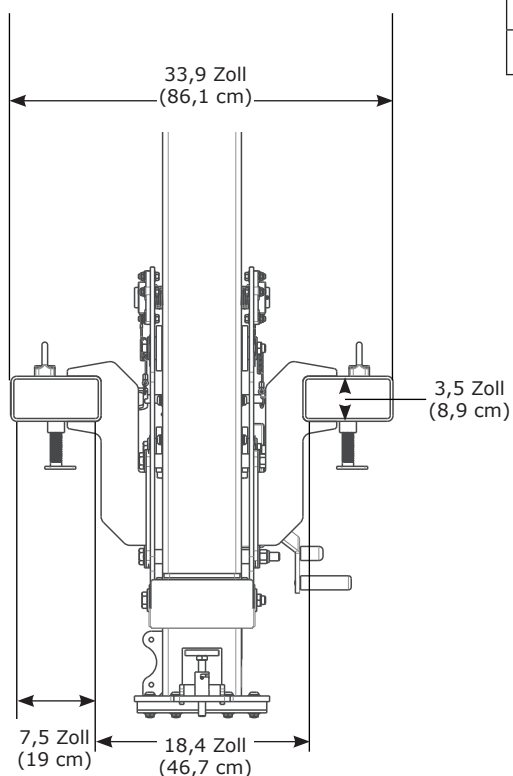
ANWENDUNG:

Der Bodeneinfahrtaschensatz M200 ist für den Transport des verstellbaren Klüverbaums vorgesehen.

Die Spezifikationen der Komponenten finden Sie in den aufgeführten Dokumenten.



	Teile- nummer	Beschreibung	Anzahl
①	8550127	Schraube mit Dreisterngriff	2
②	8549905	Gabeleinfahrtaschenverschweißung	2
③	8518276	3/4" Sechskantmutter	2
④	9512004	3/4" x 12" Schraube	2
⑤	M970033018	3/4" Unterlegscheibe	4
⑥	9515122	Etikett „Benutzer“	1
	9500146	Kettengelenk	2
	8517096	Kette	10 ft





Fall Protection

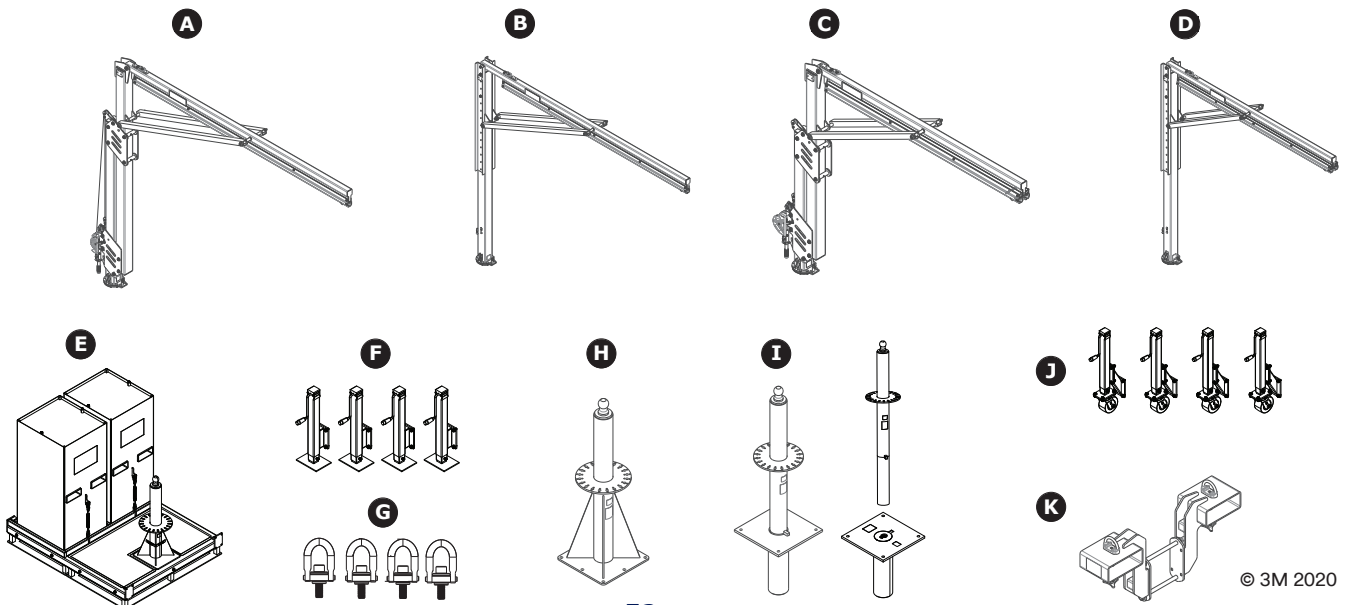


OSHA

**Sistemas de pluma modular
M200**
DBI-SALA® Flexiguard™ de 3M™

**Paquete de fichas técnicas
5908526 Rev. C**

Leyenda	Ficha técnica	Descripción	Página
A	8530891	Brazo de pluma ajustable 3,8 m-4,6 m (12,3 ft-15 ft)	54
	8530892	Brazo de pluma ajustable 4,5 m-6,1 m (14,8 ft-20 ft)	54
	8530893	Brazo de pluma ajustable 5,3 m - 7,6 m (17,3 ft-25 ft)	54
	8530894	Brazo de pluma ajustable 6,1 m-9,1 m (19,8 ft-30 ft)	54
B	8530899	Brazo de pluma semifijo 4,6 m-6,1 m (15 ft-20 ft)	56
	8530900	Brazo de pluma semifijo 6,1 m-7,6 m (20 ft-25 ft)	56
	8530901	Brazo de pluma semifijo 7,6 m-9,1 m (25 ft-30 ft)	56
C	8530895	Brazo de pluma ajustable 3,8 m-4,6 m (12,3 ft-15 ft)	58
	8530896	Brazo de pluma ajustable 4,5 m-6,1 m (14,8 ft-20 ft)	58
	8530897	Brazo de pluma ajustable 5,3 m-7,6 m (17,3 ft-25 ft)	58
	8530898	Brazo de pluma ajustable 6,1 m-9,1 m (19,8 ft-30 ft)	58
D	8530902	Brazo de pluma semifijo 4,6 m-6,1 m (15 ft-20 ft)	60
	8530903	Brazo de pluma semifijo 6,1 m-7,6 m (20 ft-25 ft)	60
	8530904	Brazo de pluma semifijo 7,6 m-9,1 m (25 ft-30 ft)	60
E	8530886	Base de contrapeso sin relleno	62
	8530887	Base de contrapeso llena	62
F	8530907	Elevadores de la base de contrapeso	64
G	8530777	Anillos de elevación de la base de contrapeso	64
H	8530888	Base para montaje en suelo	66
I	8530889, 850920, 8530921	Base para montaje empotrado	67
J	8530908	Ruedas de la base de contrapeso	64
K	8530912	Kit de compartimentos para horquilla	69



Brazo de pluma modular ajustable

FICHA TÉCNICA: 8530891-8530894



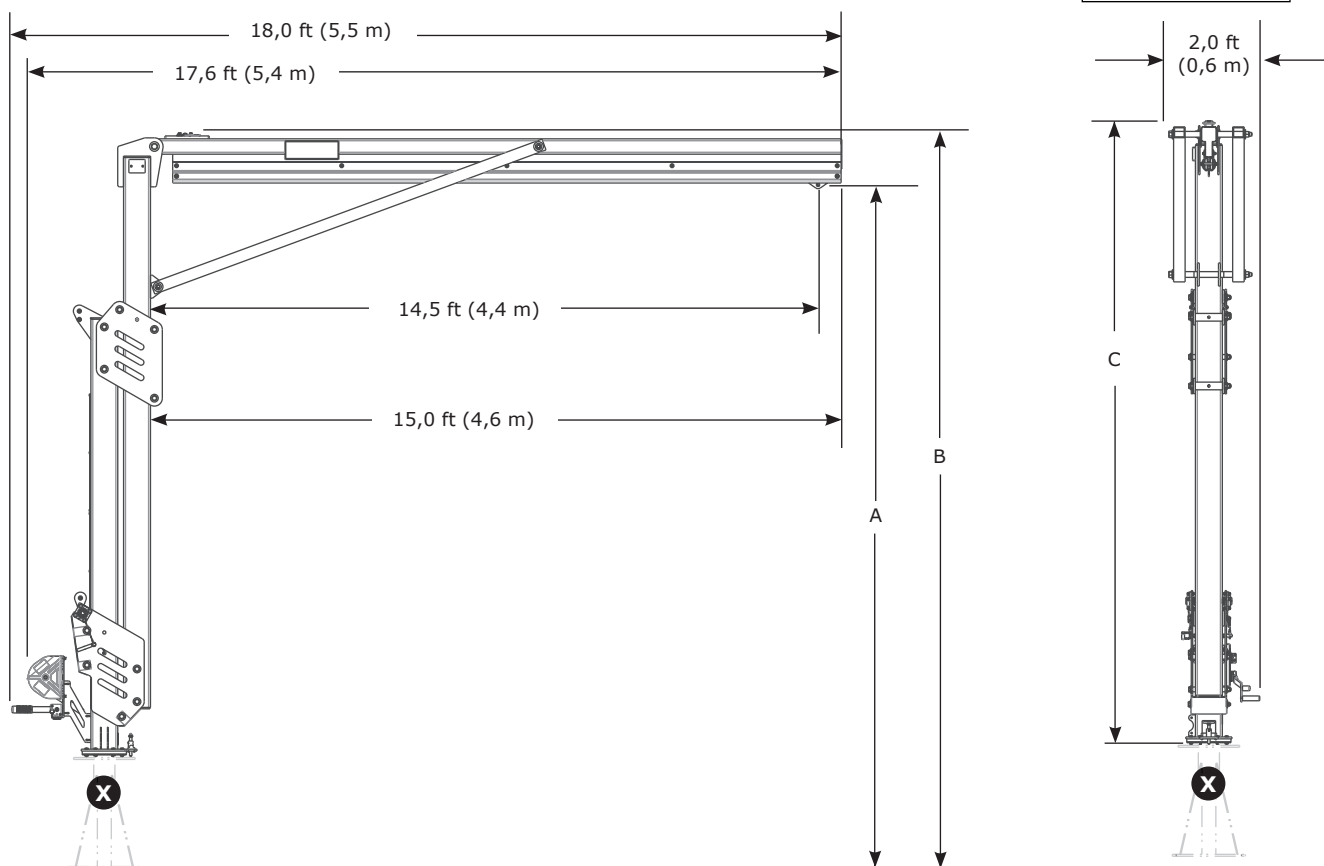
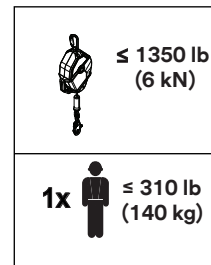
Fall Protection

APLICACIÓN:

El brazo de pluma modular M200 está diseñado para proporcionar puntos de conexión de anclaje para un sistema de protección contra caídas.

Para obtener más información sobre la instalación del producto, consulte el manual de instrucciones de 3M para el brazo de pluma M200 (5908372).

Normativa: EN795:2012 tipo E, OSHA 1910.140, OSHA 1926.502



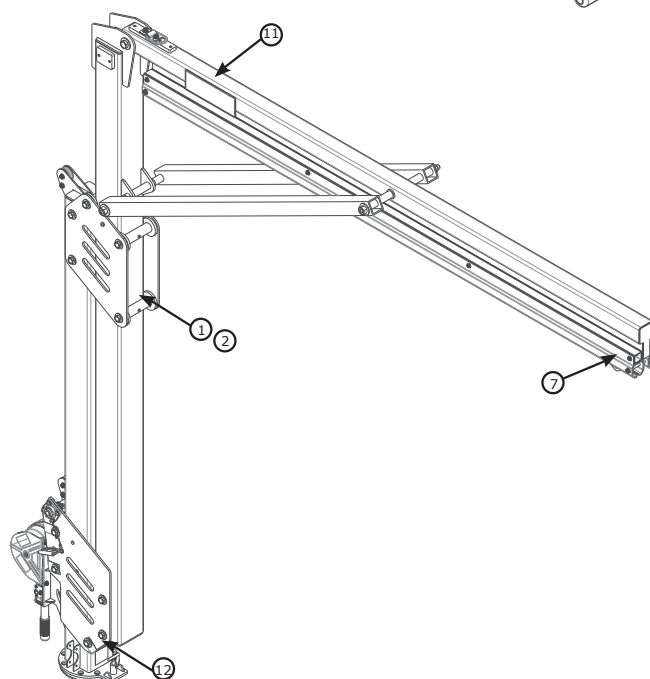
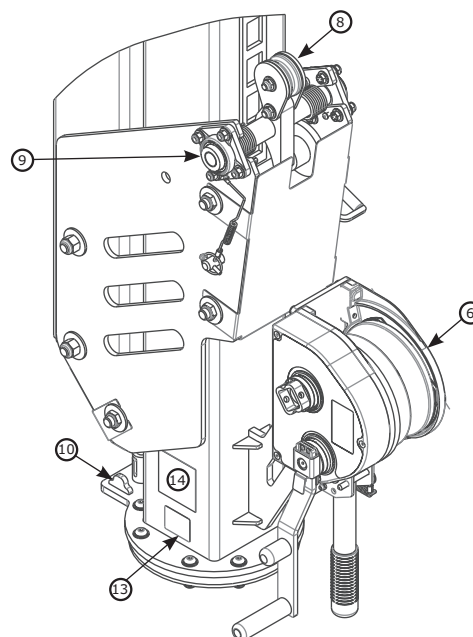
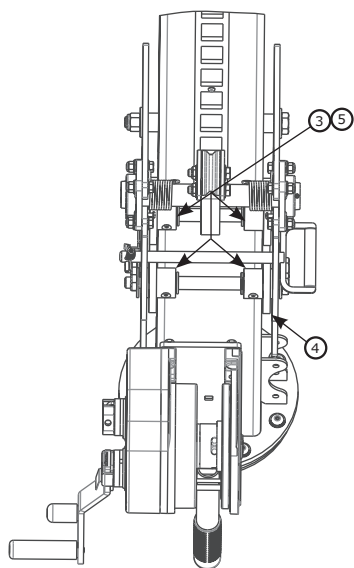
	A	B	C	lb (kg)
8530891	12,3 ft – 15,0 ft (3,8 m – 4,6 m)	13,4 ft – 16,1 ft (4,1 m – 4,9 m)	9,8 ft – 14,8 ft (3,0 m – 4,5 m)	945 lb (429 kg)
8530892	14,8 ft – 20,0 ft (4,5 m – 6,1 m)	15,9 ft – 21,1 ft (4,8 m – 6,4 m)	13,5 ft – 18,7 ft (4,1 m – 5,7 m)	1 057 lb (479 kg)
8530893	17,3 ft – 25,0 ft (5,3 m – 7,6 m)	18,4 ft – 26,1 ft (5,6 m – 8,0 m)	16,0 – 23,7 ft (4,9 m – 7,2 m)	1 169 lb (530 kg)
8530894	19,8 ft – 30,0 ft (6,0 m – 9,1 m)	20,9 ft – 31,1 ft (6,4 m – 9,5 m)	18,5 ft – 28,7 ft (5,6 m – 8,7 m)	1 281 lb (581 kg)

Componentes del brazo de pluma modular ajustable

FICHA TÉCNICA: 8530891-8530894



Fall Protection



Lista de componentes				
	Número de pieza	Descripción	Material	Cantidad
①	8550046	Rodillo ancho	Nailon	4
②	8550047	Espaciador de rodillo estrecho	Acero inoxidable 304	4
③	8550327	Rodillo estrecho	Nailon	4
④	9514703	Rodillo ancho	Nailon	12
⑤	8550213	Espaciador de rodillo estrecho	Acero inoxidable 304	4
⑥	8549930	Cabrestante	Acero	1
⑦	8521711	Trolley	Acero, nailon	1

Lista de componentes				
	Número de pieza	Descripción	Material	Cantidad
⑧	8550223	Mecanismo de bloqueo (solo reparación autorizada)	Acero, nailon	1
⑨	9515138	Cojinetes	Acero	2
⑩	8550125	Tope de rotación	Acero	2
⑪	9515111	Etiqueta 3M	Poliéster	2
⑫	9515101	Etiqueta de rotación	Poliéster	1
⑬	9514429	Etiqueta de identificación	Poliéster	1
⑭	9515112	Etiqueta de usuario	Poliéster	1

Brazo de pluma modular semifijo

FICHA TÉCNICA: 8530899-8530901



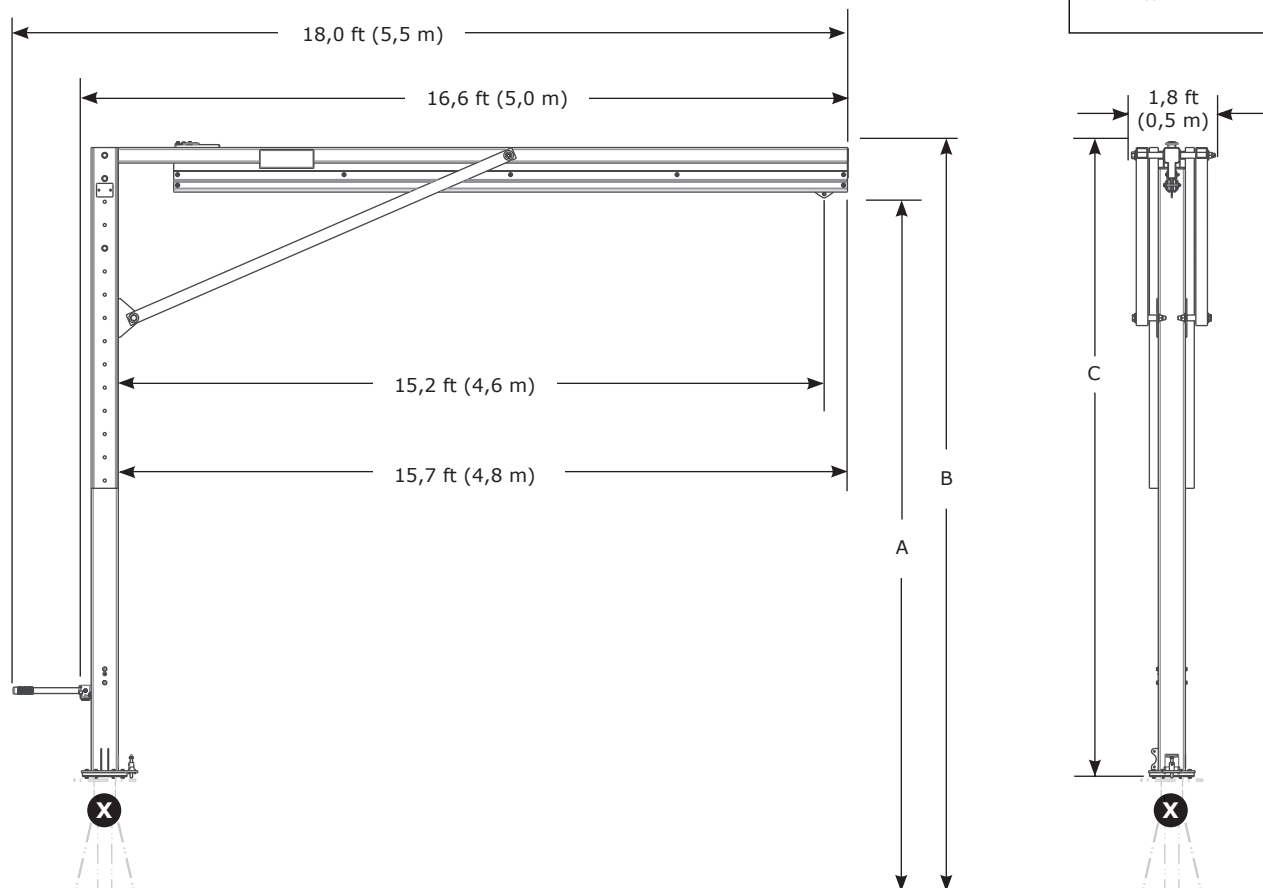
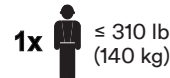
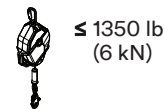
Fall Protection

APLICACIÓN:

El brazo de pluma modular M200 está diseñado para proporcionar puntos de conexión de anclaje para un sistema de protección contra caídas.

Para obtener más información sobre la instalación del producto, consulte el manual de instrucciones de 3M para el brazo de pluma M200 (5908372).

Normativa: EN795:2012 tipo E, OSHA 1910.140, OSHA 1926.502.



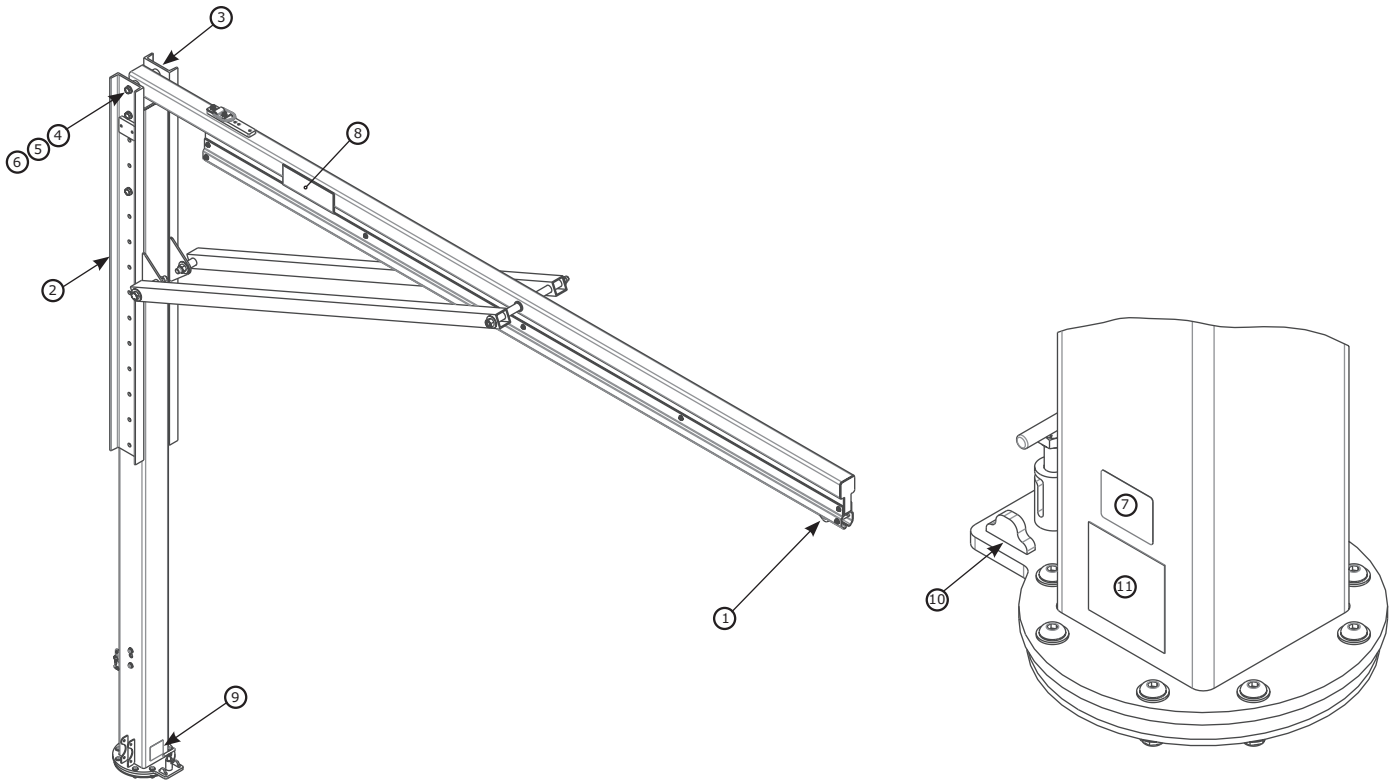
	A	B	C	lb (kg)
8530899	15,0 ft - 20,0 ft (4,6 m - 6,1 m)	16,1 ft - 21,1 ft (4,9 m - 6,4 m)	13,7 ft - 18,7 ft (4,2 m - 5,7 m)	818 lb (371 kg)
8530900	20,0 ft - 25,0 ft (6,1 m - 7,6 m)	21,1 ft - 26,1 ft (6,4 m - 7,9 m)	18,7 ft - 23,7 ft (5,7 m - 7,2 m)	930 lb (422 kg)
8530901	25,0 ft - 30,0 ft (7,6 m - 9,1 m)	26,1 ft - 31,1 ft (7,9 m - 9,6 m)	23,7 ft - 28,7 ft (7,2 m - 8,7 m)	1 041 lb (472 kg)
+6" (152 mm) incrementos de ajuste				

Componentes del brazo de pluma modular semifijo

FICHA TÉCNICA: 8530899-8530901



Fall Protection



	Número de pieza	Descripción	Material	Cantidad
①	8521711	Trolley	Acero inoxidable, acero, nailon	1
②	8549933	Canal de montaje de rescate	Acero	1
③	8550248	Canal	Acero	1
④	8526654	Perno de 3/4" x 9"	Acero	2
⑤	8522275	Arandela de 3/4"	Acero	4
⑥	8518276	Tuerca de 3/4"	Acero	2
⑦	9514429	Etiqueta de identificación	Poliéster	1

	Número de pieza	Descripción	Material	Cantidad
⑧	9515111	Etiqueta 3M	Poliéster	2
⑨	9515101	Etiqueta de rotación	Poliéster	1
⑩	8550125	Tope de rotación	Acero	2
⑪	9515112	Etiqueta de usuario	Poliéster	1

Brazo de pluma modular ajustable

FICHA TÉCNICA: 8530895-8530898



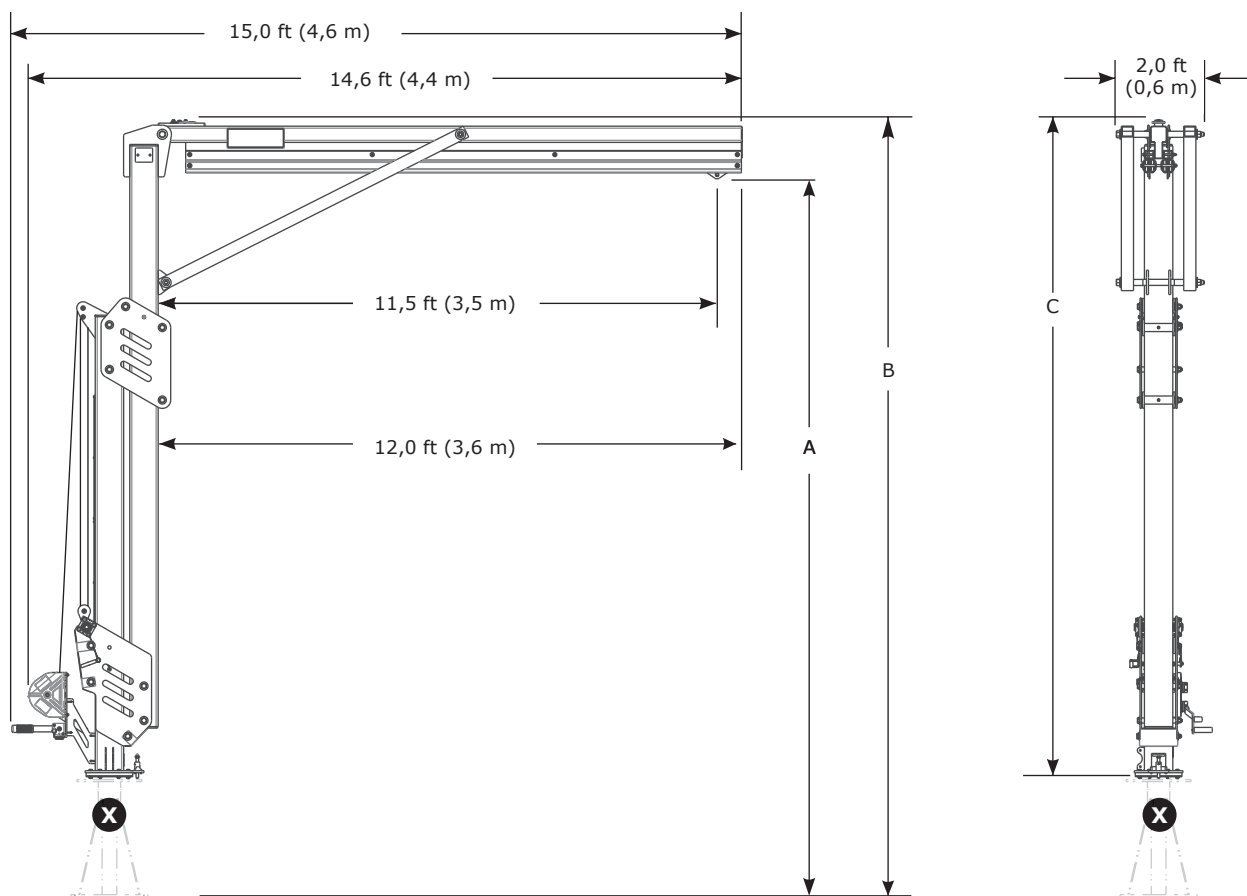
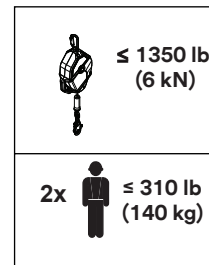
Fall Protection

APLICACIÓN:

El brazo de pluma modular M200 está diseñado para proporcionar puntos de conexión de anclaje para un sistema de protección contra caídas.

Para obtener más información sobre la instalación del producto, consulte el manual de instrucciones de 3M para el brazo de pluma M200 (5908372).

Normativa: CEN/TS 16415:2013 tipo E, EN795:2012 tipo E, OSHA 1910.140, OSHA 1926.502



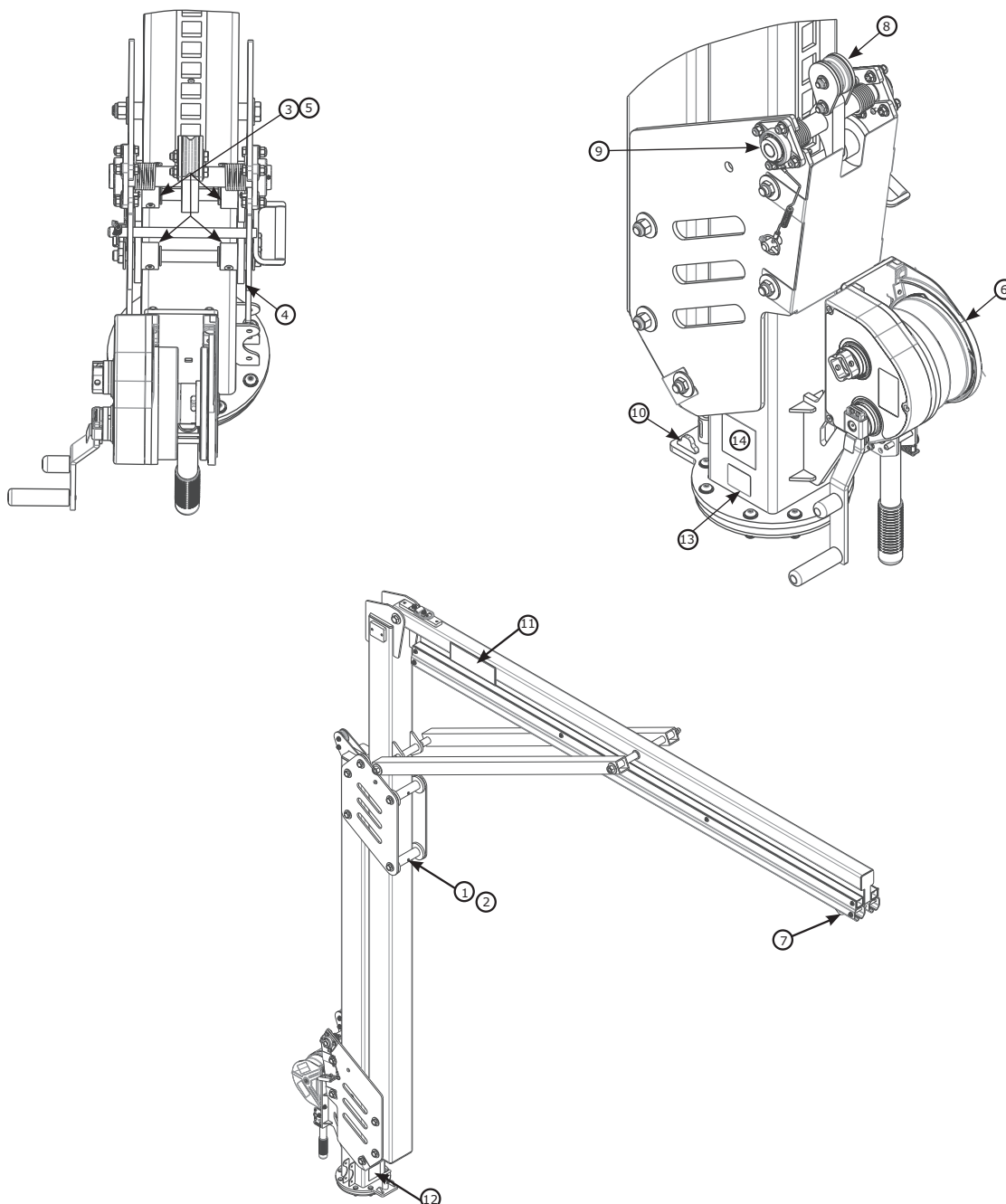
	A	B	C	lb (kg)
8530895	12,3 ft – 15,0 ft (3,8 m – 4,6 m)	13,4 ft – 16,1 ft (4,1 m – 4,9 m)	11,0 ft – 13,7 ft (3,4 m – 4,2 m)	1 011 lb (459 kg)
8530896	14,8 ft – 20,0 ft (4,5 m – 6,1 m)	15,9 ft – 21,1 ft (4,8 m – 6,4 m)	13,5 ft – 18,7 ft (4,1 m – 5,7 m)	1 123 lb (509 kg)
8530897	17,3 ft – 25,0 ft (5,3 m – 7,6 m)	18,4 ft – 26,1 ft (5,6 m – 8,0 m)	16,0 – 23,7 ft (4,9 m – 7,2 m)	1 235 lb (560 kg)
8530898	19,8 ft – 30,0 ft (6,0 m – 9,1 m)	20,9 ft – 31,1 ft (6,4 m – 9,5 m)	18,5 ft – 28,7 ft (5,6 m – 8,7 m)	1 343 lb (609 kg)

Componentes del brazo de pluma modular ajustable

FICHA TÉCNICA: 8530895-8530898



Fall Protection



Lista de componentes				
	Número de pieza	Descripción	Material	Cantidad
①	8550046	Rodillo ancho	Nailon	4
②	8550047	Rodillo ancho Espaciador	Acero inoxidable 304	4
③	8550327	Rodillo estrecho	Nailon	4
④	9514703	Rodillo ancho	Nailon	12
⑤	8550213	Espaciador de rodillo estrecho	Acero inoxidable 304	4
⑥	8549930	Cabrestante	Acero	1
⑦	8521711	Trolley	Acero, nailon	1

Lista de componentes				
	Número de pieza	Descripción	Material	Cantidad
⑧	8550223	Mecanismo de bloqueo (solo reparación autorizada)	Acero, nailon	1
⑨	9515138	Cojinetes	Acero	2
⑩	8550125	Tope de rotación	Acero	2
⑪	9515111	Etiqueta 3M	Poliéster	2
⑫	9515101	Etiqueta de rotación	Poliéster	1
⑬	9514429	Etiqueta de identificación	Poliéster	1
⑭	9515112	Etiqueta de usuario	Poliéster	1

Brazo de pluma modular semifijo

FICHA TÉCNICA: 8530902-8530904



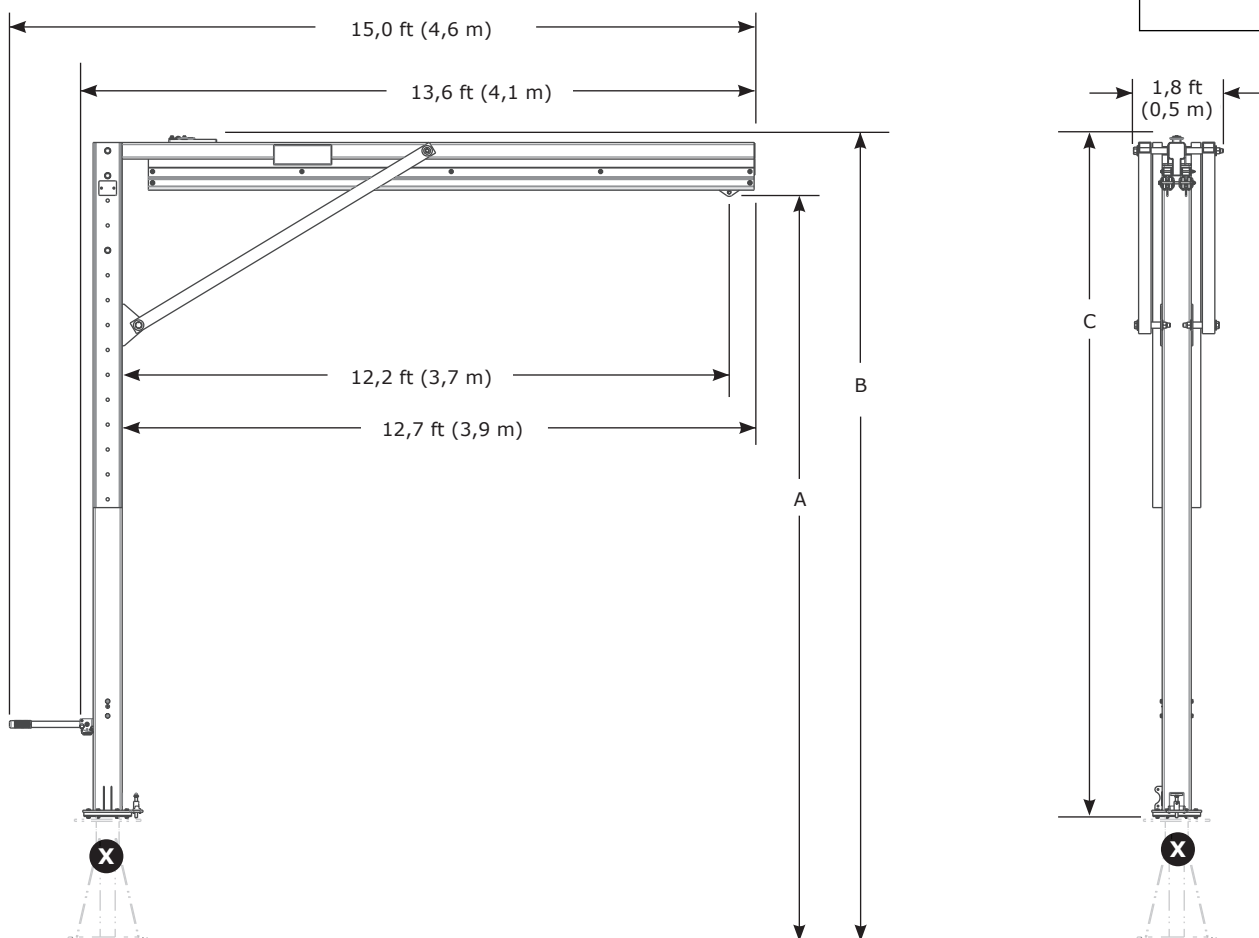
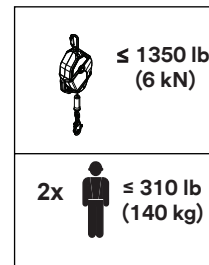
Fall Protection

APLICACIÓN:

El brazo de pluma modular M200 está diseñado para proporcionar puntos de conexión de anclaje para un sistema de protección contra caídas.

Para obtener más información sobre la instalación del producto, consulte el manual de instrucciones de 3M para el brazo de pluma M200 (5908372).

Normativa: CEN/TS 16415:2013 tipo E, EN795:2012 tipo E, OSHA 1910.140, OSHA 1926.502.



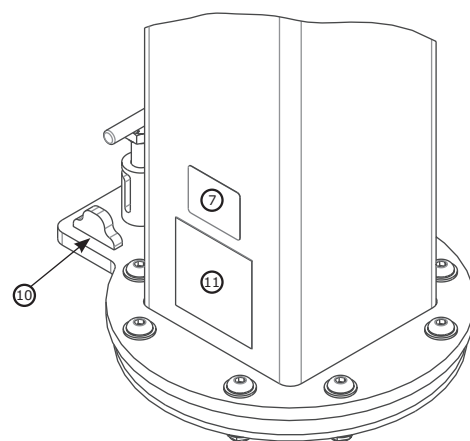
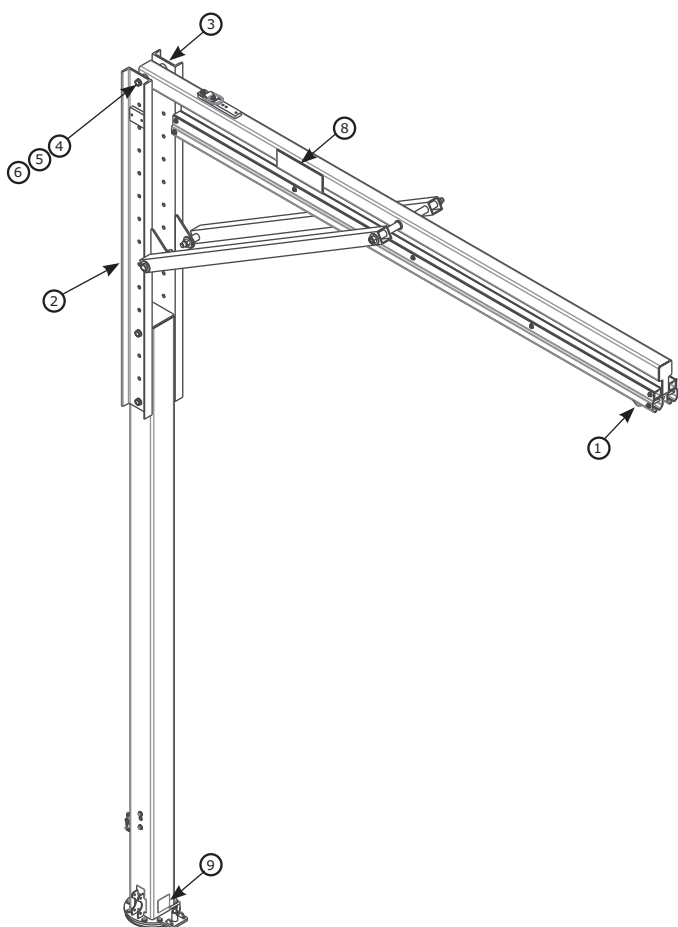
	A	B	C	lb (kg)
8530902	15,0 ft – 20,0 ft (4,6 m – 6,1 m)	16,1 ft – 21,1 ft (4,9 m – 6,4 m)	13,7 ft – 18,7 ft (4,2 m – 5,7 m)	850 lb (386 kg)
8530903	20,0 ft – 25,0 ft (6,1 m – 7,6 m)	21,1 ft – 26,1 ft (6,4 m – 7,9 m)	18,7 ft – 23,7 ft (5,7 m – 7,2 m)	961 lb (436 kg)
8530904	25,0 ft – 30,0 ft (7,6 m – 9,1 m)	26,1 ft – 31,1 ft (7,9 m – 9,6 m)	23,7 ft – 28,7 ft (7,2 m – 8,7 m)	1 073 lb (487 kg)

Componentes del brazo de pluma modular semifijo

FICHA TÉCNICA: 8530902-8530904



Fall Protection



	Número de pieza	Descripción	Material	Cantidad
①	8521711	Trolley	Acero inoxidable, acero, nailon	1
②	8549933	Canal de montaje de rescate	Acero	1
③	8550248	Canal	Acero	1
④	8526654	Perno de 3/4" x 9"	Acero	2
⑤	8522275	Arandela de 3/4"	Acero	4
⑥	8518276	Tuerca de 3/4"	Acero	2
⑦	9514429	Etiqueta de identificación	Poliéster	1

	Número de pieza	Descripción	Material	Cantidad
⑧	9515111	Etiqueta 3M	Poliéster	2
⑨	9515101	Etiqueta de rotación	Poliéster	1
⑩	8550125	Tope de rotación	Acero	2
⑪	9515112	Etiqueta de usuario	Poliéster	1

Base de contrapeso M200

FICHA TÉCNICA: 8530886, 8530887



Fall Protection

APLICACIÓN:

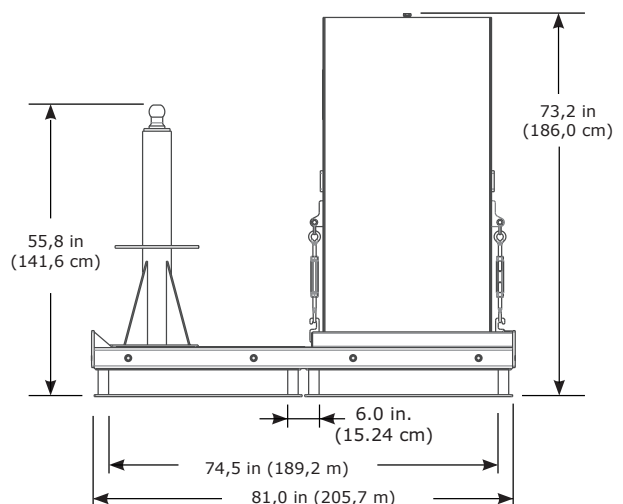
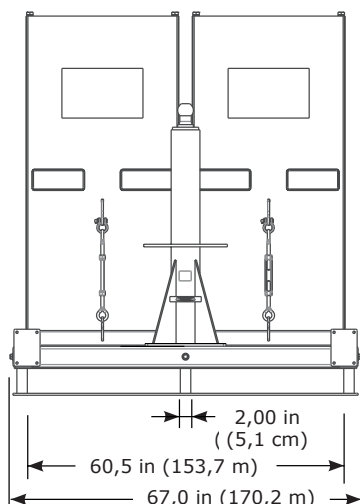
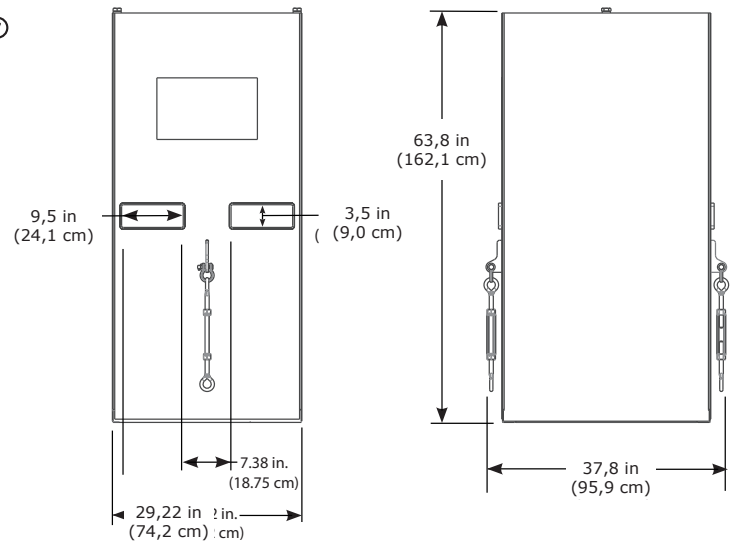
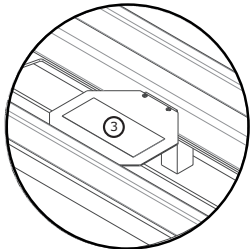
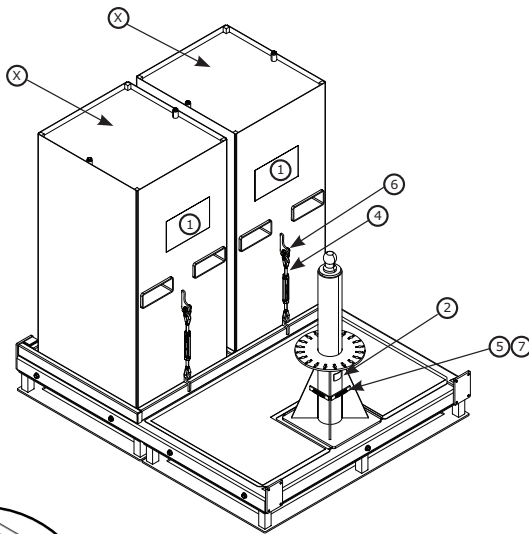
La base de contrapeso está diseñada para rellenarse con hormigón y utilizarse como punto de montaje para el sistema de pluma modular M200 DBI-SALA® Flexiguard™ de 3M™.

Para obtener más información sobre la instalación del producto, consulte el manual de instrucciones de 3M del brazo de hormigón M200 (5908374).

Normativa: CEN/TS 16415:2013 tipo E, EN795:2012 tipo E, OSHA 1910.140, OSHA 1926.502

	X 4000 psi (30 MPa)	Requisitos de estructura de descanso	Peso neto
8530886		14 645 lb (6 643 kg)	1.092 kg (2.407 lb)
8530887	✓	+ peso del brazo de pluma M200	5137 kg (11 325 lb)

Lista de componentes				
	Número de pieza	Descripción	Material	Cantidad
①	9515107	Etiqueta de usuario	Poliéster	1
②	9514429	Etiqueta de identificación	Poliéster	1
③	9515106	Etiqueta de advertencia.	Poliéster	1
④	8520575	Tensor	Acero	2
⑤	9513627	Tornillo n.º 4	Acero	4
⑥	9501794	Argolla	Acero	2
⑦	9515058	Burbuja de nivel	Plástico	2



Área de trabajo de la base de contrapeso M200

FICHA TÉCNICA: 8530886, 8530887

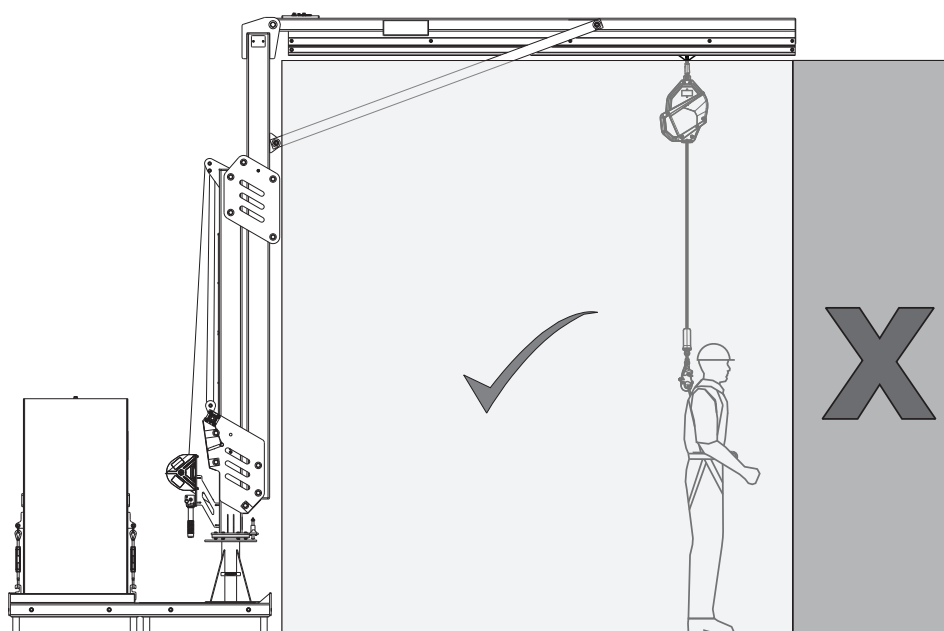
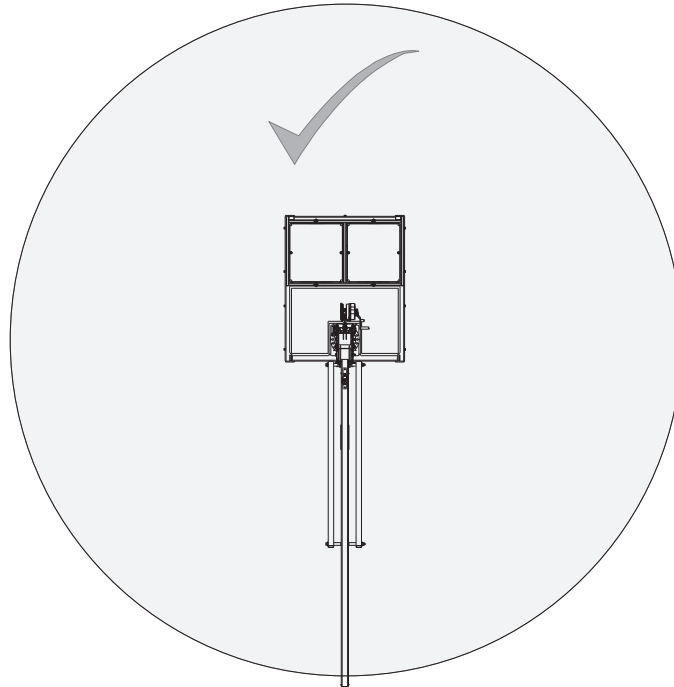
3M

DBI
SALA®

Fall Protection

APLICACIÓN:

Consulte el diagrama siguiente para ver el área de trabajo de la base de hormigón M200.



Accesorios de base de contrapeso M200

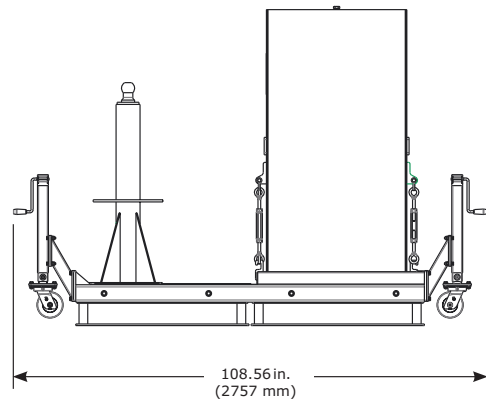
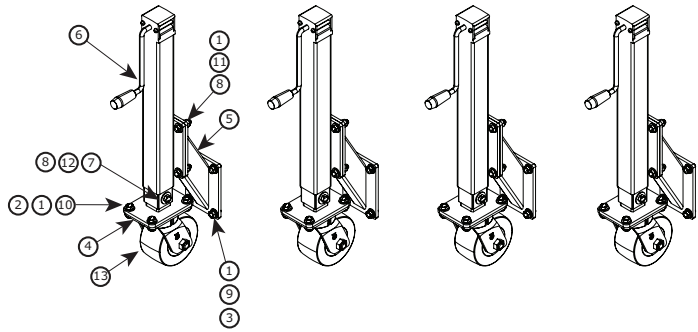
FICHA TÉCNICA: 8530908, 8530907, 8530777



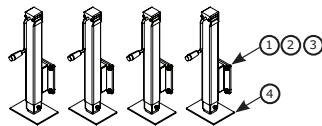
Fall Protection

	Peso
8530908	152 lb (69 kg)

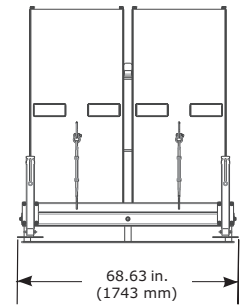
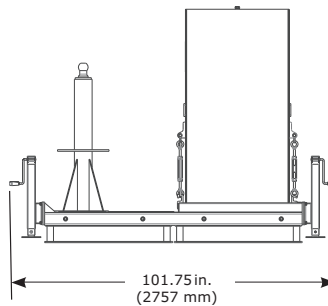
Lista de componentes				
	Número de pieza	Descripción	Material	Cantidad
①	8510037	Arandela de 1/2"	Acero	80
②	8512460	Perno de 1/2" x 1 1/4"	Acero	16
③	8518432	Perno de 1/2" x 1"	Acero	16
④	8550153	Soldadura de la rueda	Acero	4
⑤	8550155	Soldadura angulada	Acero	4
⑥	8550156	Soldadura montada	Acero	4
⑦	9501243	Arandela de 1/2"	Acero	8
⑧	9501831	Tuerca hexagonal de 1/2"	Acero	20
⑨	9504221	Arandela de 1/2"	Acero	16
⑩	9504813	Tuerca hexagonal de 1/2"	Acero	16
⑪	9509276	Perno de 1/2" x 1 3/4"	Acero	16
⑫	9510153	Perno de 1/2" x 3 1/4"	Acero	4
⑬	9515081	Rueda giratoria	Acero, uretano	4



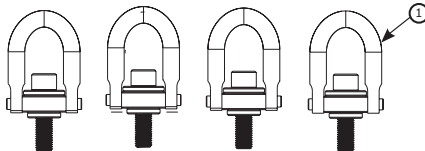
	Peso
8530907	108 lb (49 kg)



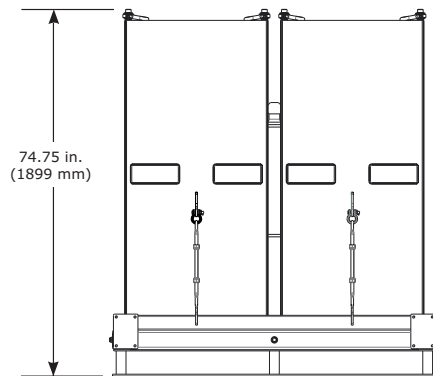
	Número de pieza	Descripción	Material	Cantidad
①	9504221	Arandela de seguridad de 1/2"	Acero	16
②	8510037	Arandela de 1/2"	Acero	16
③	8518432	Perno de 1/2" x 1"	Acero	16
④	8550177	Soldadura de la rueda	Acero	4



	Peso
8530777	12 lb (5,4 kg)



Lista de componentes				
	Número de pieza	Descripción	Material	Cantidad
①	9512574	Anillo de elevación	Acero	4



Centro de gravedad de base de contrapeso M200

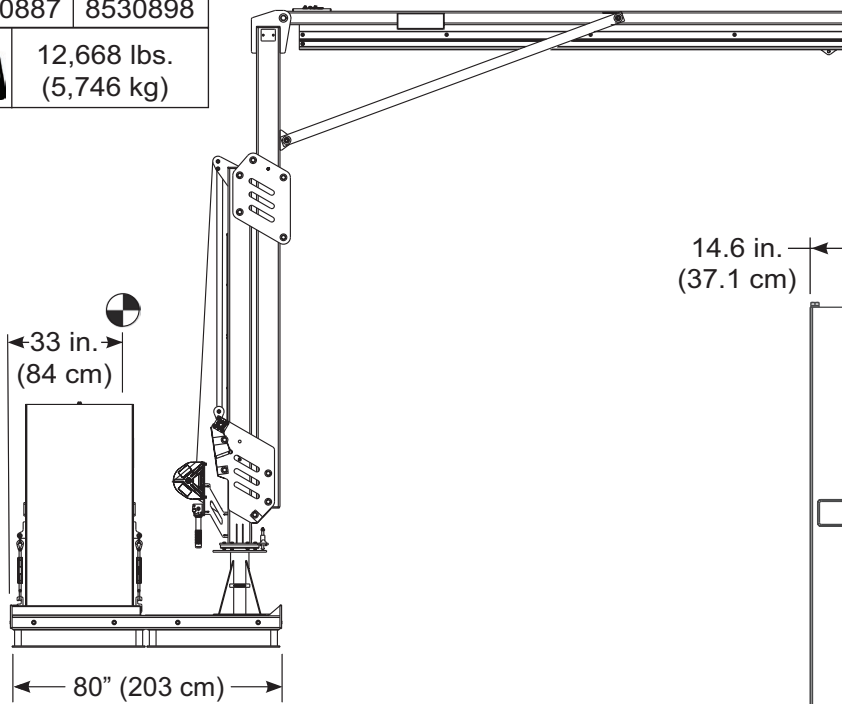
FICHA TÉCNICA: 8530886, 8530887



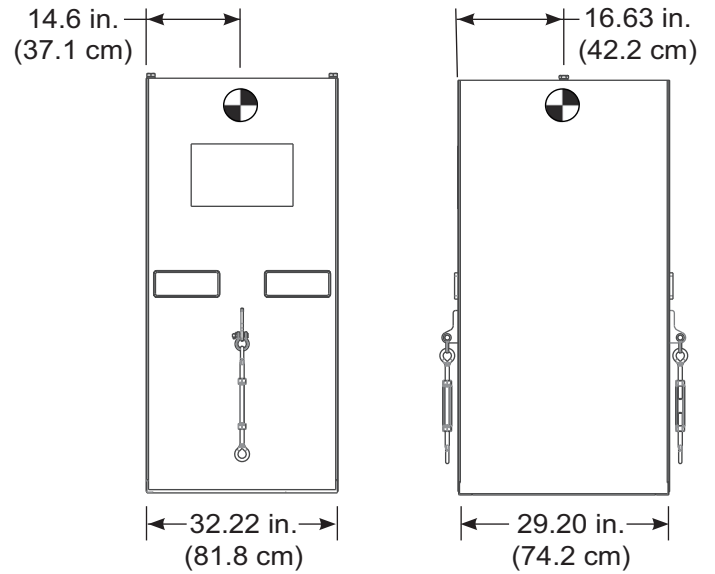
Fall Protection

8530887 8530898

12,668 lbs.
(5,746 kg)

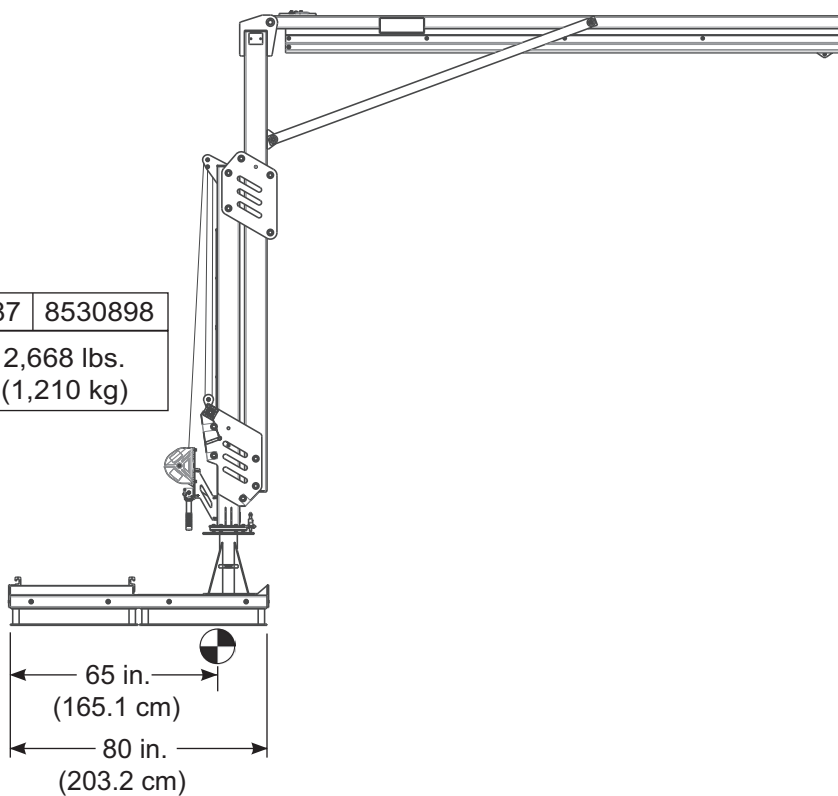


5,000 lbs.
(2,268 kg)



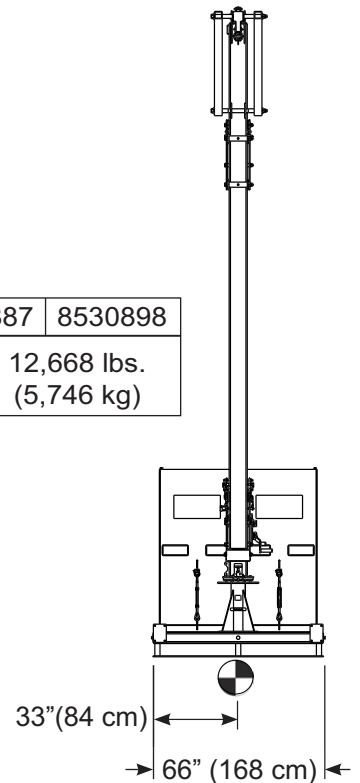
8530887 8530898

2,668 lbs.
(1,210 kg)



8530887 8530898

12,668 lbs.
(5,746 kg)



Base para montaje en suelo M200

FICHA TÉCNICA: 8530888



Fall Protection

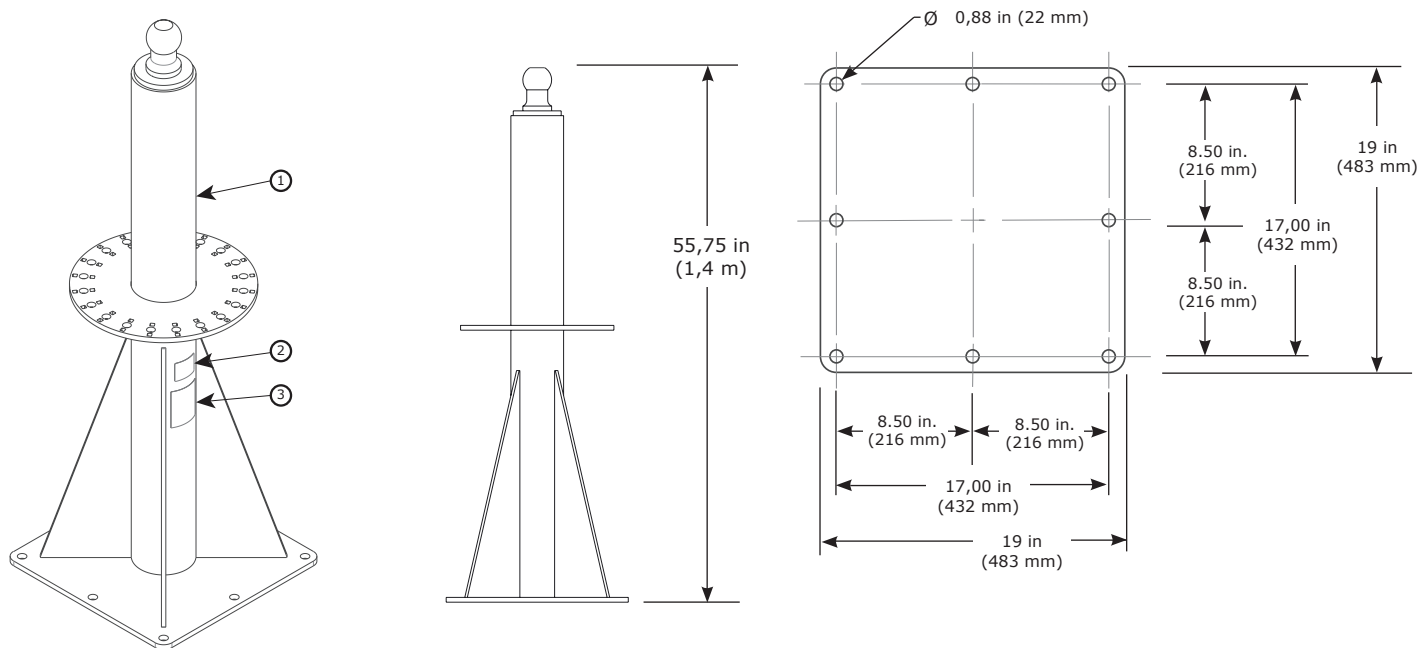
APLICACIÓN:

La base de montaje en suelo está diseñada para anclarse a estructuras aprobadas y usarse como punto de montaje para el sistema de pluma modular M200 aprobado por 3M.

Para obtener más información sobre la instalación del producto, consulte el manual de instrucciones de 3M para la base para montaje en suelo M200 (5908375).

Normativa: CEN/TS 16415:2013 tipo A, EN795:2012 tipo A, OSHA 1910.140, OSHA 1926.502

	Peso neto
8530888	120 kg (265 lb)



Lista de componentes				
	Número de pieza	Descripción	Material	Cantidad
①	8549921	Soldadura de base	Acero	1
②	9514429	Etiqueta de identificación	Poliéster	1
③	9515114	Etiqueta de usuario	Poliéster	1

Requisitos de montaje		
Fuerza de extracción mínima del dispositivo de fijación	Carga de momento mínima de la estructura de montaje	Carga vertical mínima de la estructura de montaje
4.257 kg (9.386 lb)	501,633 in-lb (56,677 N-m)	3 320 lb (1 506 kg) + peso base + peso del brazo de pluma M200

Base de montaje empotrado M200

FICHA TÉCNICA: 8530889, 8530920, 8530921



Fall Protection

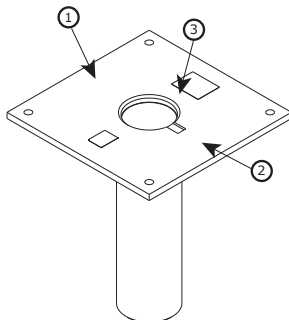
APLICACIÓN:

La base de montaje empotrado está diseñada para anclarse a estructuras aprobadas y usarse como punto de montaje para el sistema de pluma modular M200 aprobado por 3M.

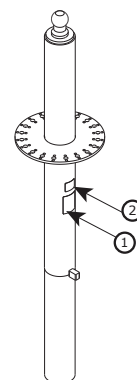
Para obtener más información sobre la instalación del producto, consulte el manual de instrucciones de 3M para el brazo de montaje empotrado M200 (5908375).

Normativa: CEN/TS 16415:2013, EN795:2012 tipo A, OSHA 1910.140, OSHA 1926.502

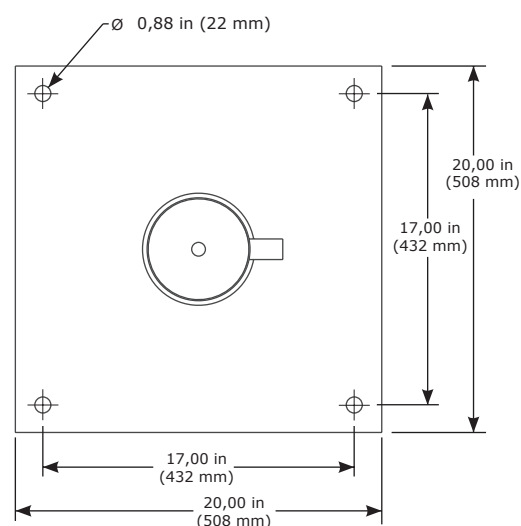
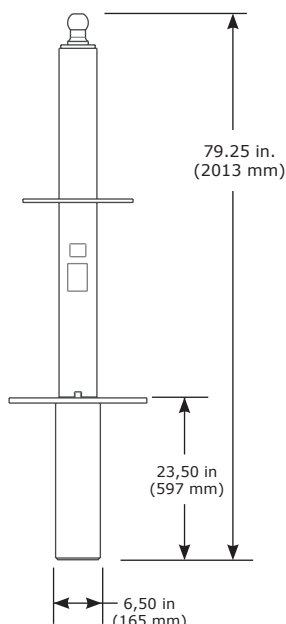
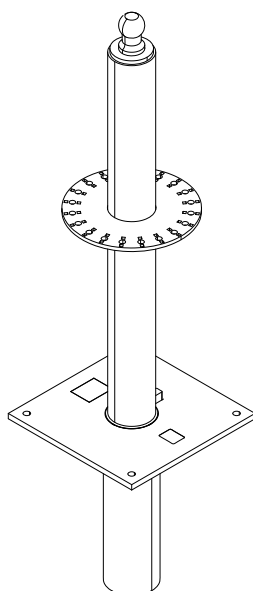
	Peso neto
8530920	64 kg (140 lb)



	Peso neto
8530921	107 kg (237 lb)



	Peso neto
8530889	171 kg (377 lb)



Lista de componentes				
	Número de pieza	Descripción	Material	Cantidad
①	9515114	Etiqueta de usuario	Poliéster	1
②	9514429	Etiqueta de identificación	Poliéster	1
③	8550165	Tapa base	Caucho de aluminio	1

Requisitos de montaje	
Carga de momento mínima de la estructura de montaje	Carga vertical mínima de la estructura de montaje
501,633 in-lb (56,677 N-m)	3,320 lb (1,506 kg) + peso base + peso del brazo de pluma M200

Área de trabajo de las bases de montaje en suelo M200

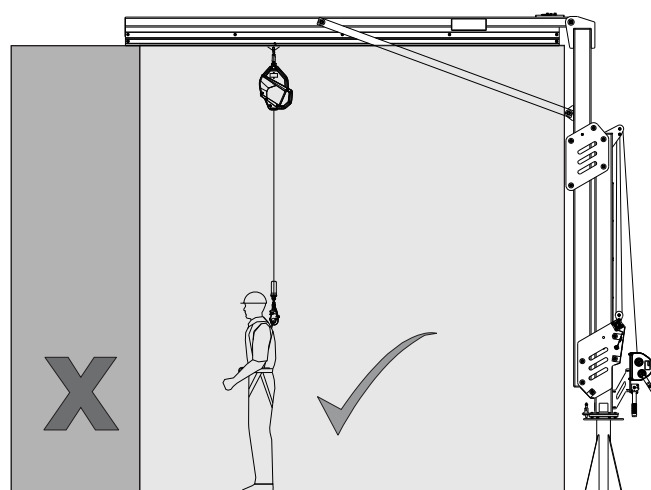
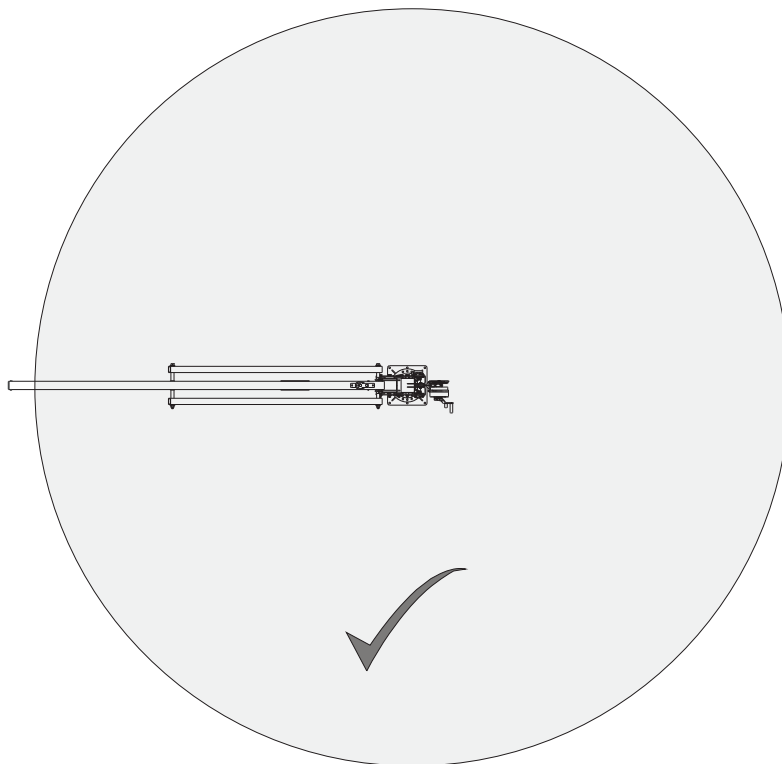
FICHA TÉCNICA: 8530888, 8530889



Fall Protection

APLICACIÓN:

Consulte el diagrama siguiente para ver el área de trabajo de las bases de montaje en suelo.



Kit de compartimentos de suelo M200

FICHA TÉCNICA: 8530912

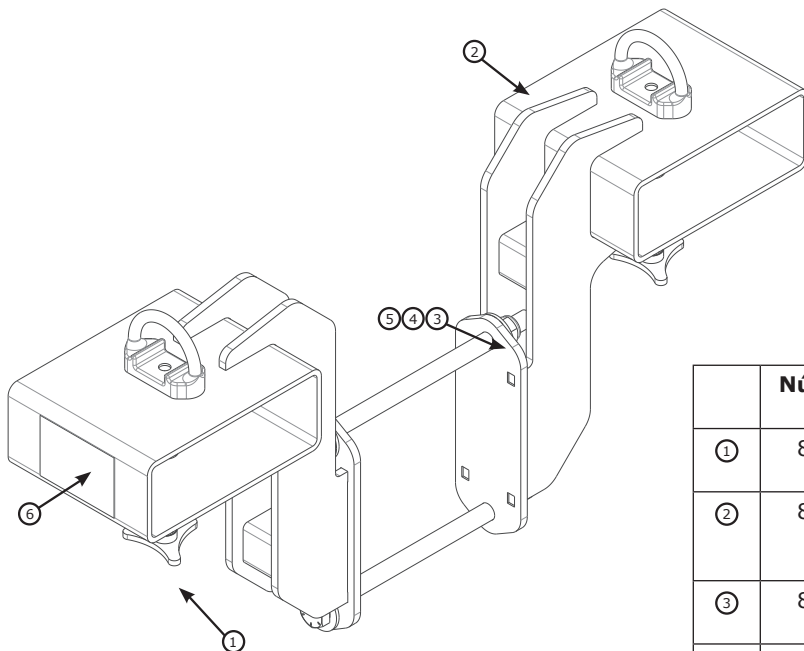


Fall Protection

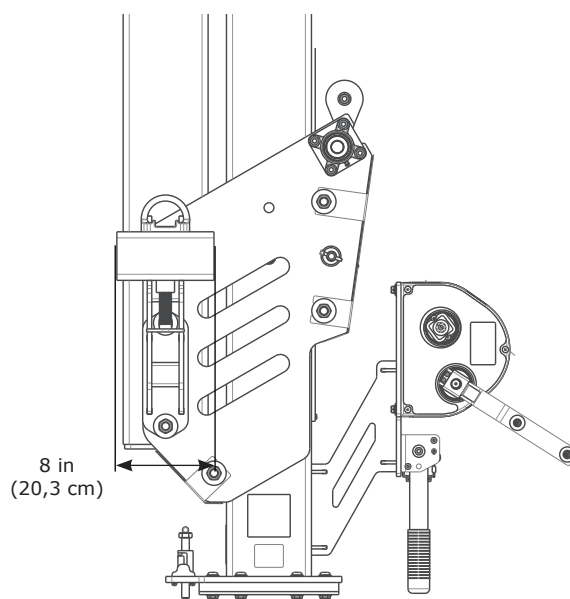
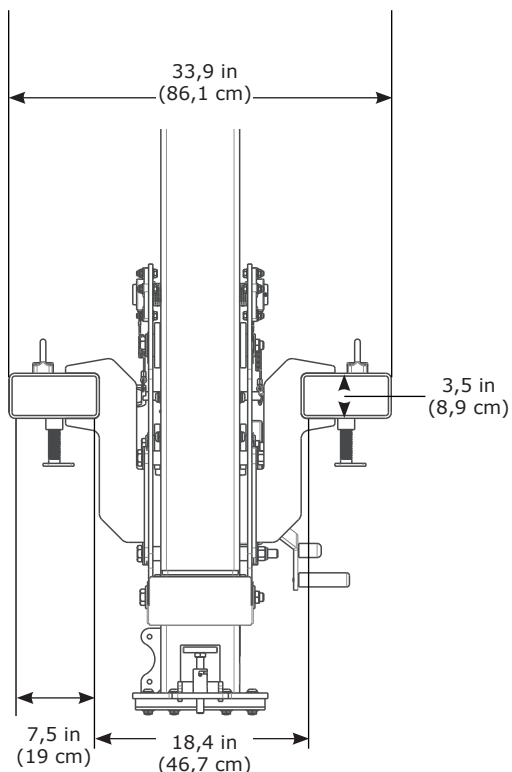
APLICACIÓN:

El kit de compartimentos de suelo M200 está diseñado para transportar el brazo de pluma ajustable.

Consulte las hojas enumeradas para conocer las especificaciones de los componentes.



	Número de pieza	Descripción	Cantidad
①	8550127	Pomos triangulares de cierre roscado	2
②	8549905	Soldadura de compartimento de horquilla	2
③	8518276	Tuerca hexagonal de 3/4"	2
④	9512004	Perno de 3/4" x 12"	2
⑤	M970033018	Arandela de 3/4"	4
⑥	9515122	Etiqueta de usuario	1
	9500146	Eslabón de la cadena	2
	8517096	Cadena	10 ft





OSHA

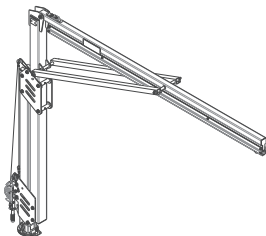
3M™ DBI-SALA® Flexiguard™ Modulaariset puomijärjestelmät M200

Putoamissuojaus

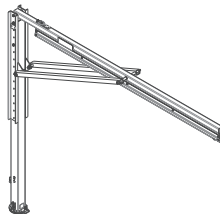
Tekniset tietolomakkeet 5908526 versio C

Merkintä	Tekninen tietolomake	Kuvaus	Sivu
A	8530891	12,3–15 ft. (3,8–4,6 m) Säädettävä puomivarsi	71
	8530892	14,8–20 ft. (4,5–6,1 m) Säädettävä puomivarsi	71
	8530893	17,3–25 ft. (5,3–7,6 m) Säädettävä puomivarsi	71
	8530894	19,8–30 ft. (6,1–9,1 m) Säädettävä puomivarsi	71
B	8530899	15–20 ft. (4,6–6,1 m) Puolikiinteä puomivarsi	73
	8530900	20–25 ft. (6,1–7,6 m) Puolikiinteä puomivarsi	73
	8530901	25–30 ft. (7,6–9,1 m) Puolikiinteä puomivarsi	73
C	8530895	12,3–15 ft. (3,8–4,6 m) Säädettävä puomivarsi	75
	8530896	14,8–20 ft. (4,5–6,1 m) Säädettävä puomivarsi	75
	8530897	17,3–25 ft. (5,3–7,6 m) Säädettävä puomivarsi	75
	8530898	19,8–30 ft. (6,1–9,1 m) Säädettävä puomivarsi	75
D	8530902	15–20 ft. (4,6–6,1 m) Puolikiinteä puomivarsi	77
	8530903	20–25 ft. (6,1–7,6 m) Puolikiinteä puomivarsi	77
	8530904	25–30 ft. (7,6–9,1 m) Puolikiinteä puomivarsi	77
E	8530886	Täyttämätön vastapainoalusta	79
	8530887	Täytetty vastapainoalusta	79
F	8530907	Vastapainoalustan tuet	81
G	8530777	Vastapainoalustan nostorenkaat	81
H	8530888	Lattiakiinnitysjalusta	83
I	8530889, 8530920, 8530921	Tasoon upotettava kiinnitysala	84
J	8530908	Vastapainoalustan pyörät	81
K	8530912	Haarukataskusarja	86

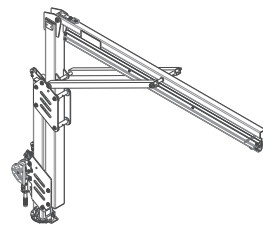
A



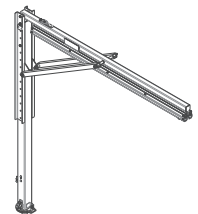
B



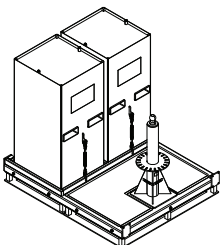
C



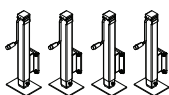
D



E



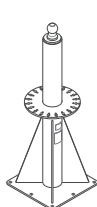
F



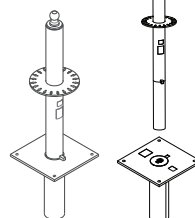
G



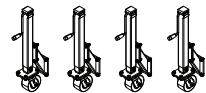
H



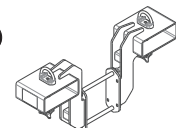
I



J



K



Säädettävä modulaarinen puomivarsi

TEKNINEN TIETOLOMAKE: 8530891–8530894



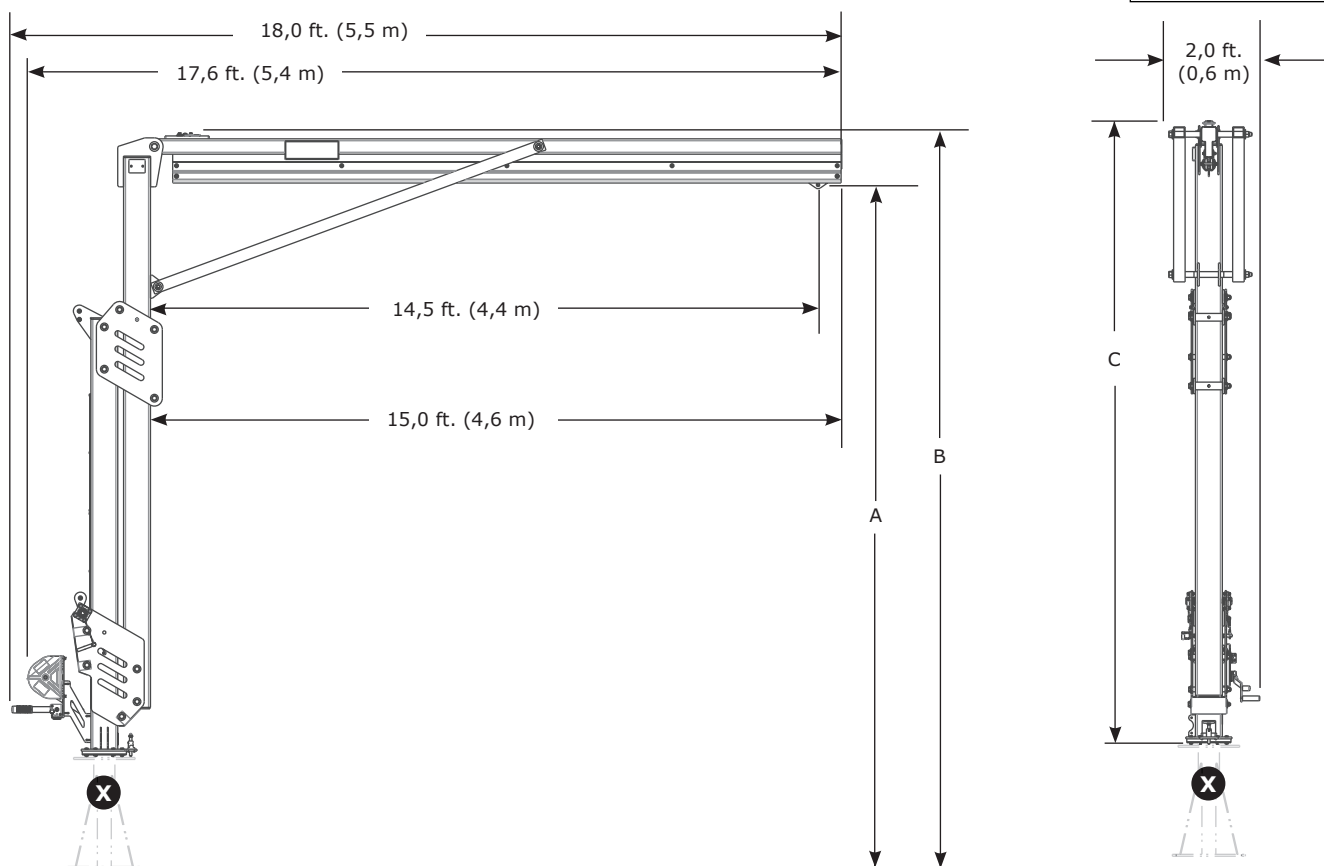
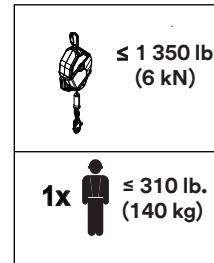
Fall Protection

KÄYTTÖKOHDE:

Modulaarinen M200-puomivarsi on suunniteltu tarjoamaan kiinnityspisteitä putoamissuojausjärjestelmälle.

Lisätietoja tuotteen asennuksesta on M200-puomivarren 3M-käyttöoppaassa (5908372).

Standardit: EN795:2012 (tyyppi E), OSHA 1910.140, OSHA 1926.502

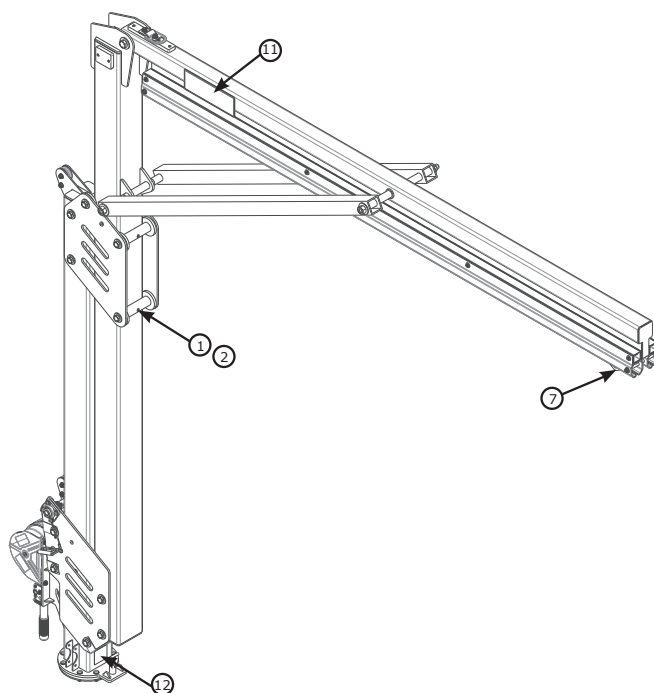
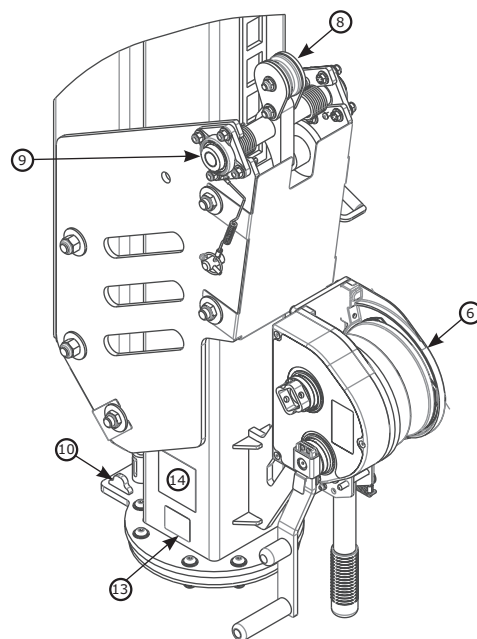
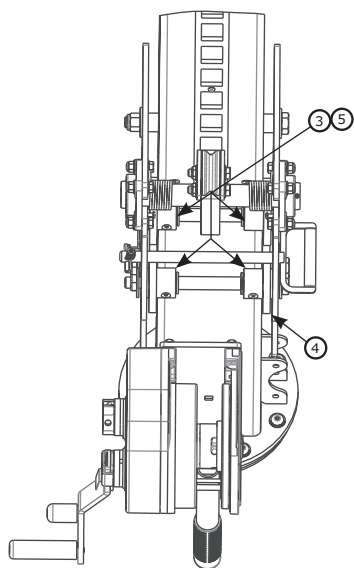


	A	B	C	lb. (kg)
8530891	12,3 – 15,0 ft. (3,8–4,6 m)	13,4 – 16,1 ft. (4,1 – 4,9 m)	9,8 – 14,8 ft. (3,0 – 4,5 m)	945 lb. (429 kg)
8530892	14,8 – 20,0 ft. (4,5 – 6,1 m)	15,9 – 21,1 ft. (4,8 – 6,4 m)	13,5 – 18,7 ft. (4,1 – 5,7 m)	1 057 lb. (479 kg)
8530893	17,3 – 25,0 ft. (5,3 – 7,6 m)	18,4 – 26,1 ft. (5,6 – 8,0 m)	16,0 – 23,7 ft. (4,9 – 7,2 m)	1 169 lb. (530 kg)
8530894	19,8 – 30,0 ft. (6,0 – 9,1 m)	20,9 – 31,1 ft. (6,4 – 9,5 m)	18,5 – 28,7 ft. (5,6 – 8,7 m)	1 281 lb. (581 kg)

Säädettävän modulaarisen puomivarren osat
TEKNINEN TIETOLOMAKE: 8530891–8530894



Fall Protection



Osaluettelo				
	Osanu- mero	Kuvaus	Materiaali	Määrä
①	8550046	Leveä rulla	Nailon	4
②	8550047	Leveän rullan välিকে	304 ruostumaton teräs	4
③	8550327	Kapea rulla	Nailon	4
④	9514703	Sivurulla	Nailon	12
⑤	8550213	Kapean rullan välিকে	304 ruostumaton teräs	4
⑥	8549930	Vinssi	Teräs	1
⑦	8521711	Vaunu	Teräs, nailon	1

Osaluettelo				
	Osanu- mero	Kuvaus	Materiaali	Määrä
⑧	8550223	Lukitusmekanismi (vain valtuutettu korjaus)	Teräs, nailon	1
⑨	9515138	Laakerit	Teräs	2
⑩	8550125	Käännön pysäytin	Teräs	2
⑬	9515111	3M-merkintä	Polyesteri	2
⑭	9515101	Kääntömerkintä	Polyesteri	1
⑬	9514429	Tunniste	Polyesteri	1
⑭	9515112	Käyttäjämerkintä	Polyesteri	1

Puolikiinteä modulaarinen puomivarsi

TEKNINEN TIETOLOMAKE: 8530899–8530901



Fall Protection

KÄYTTÖKOHDDE:

Modulaarinen M200-puomivarsi on suunniteltu tarjoamaan kiinnityspisteitä putoamissuojajärjestelmälle.

Lisätietoja tuotteen asennuksesta on M200-puomivarren 3M-käyttöoppaassa (5908372).

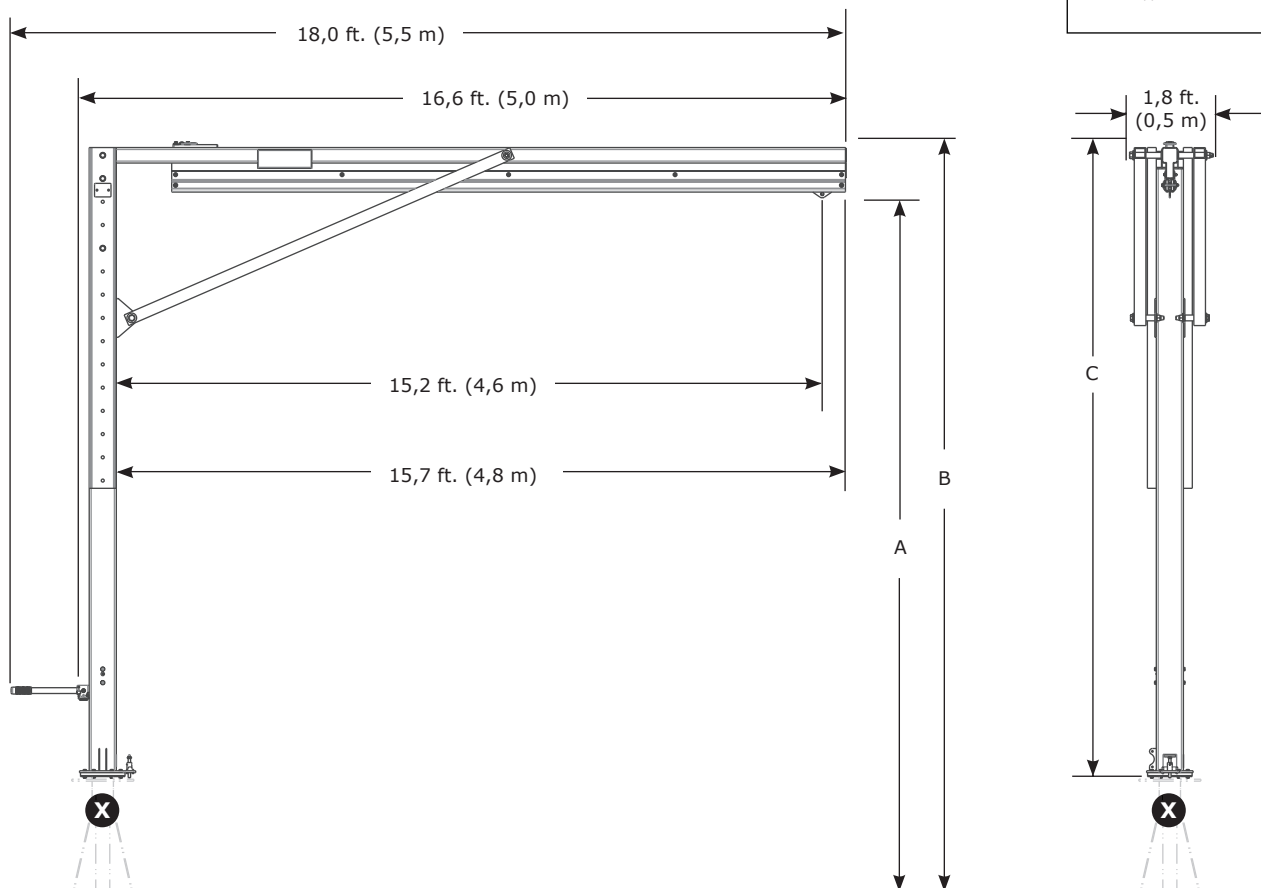
Standardit: EN795:2012 (tyyppi E), OSHA 1910.140, OSHA 1926.502.



≤ 1 350 lb.
(6 kN)



1x ≤ 310 lb.
(140 kg)



	A	B	C	lb. (kg)
8530899	15,0 – 20,0 ft. (4,6 – 6,1 m)	16,1 – 21,1 ft. (4,9 – 6,4 m)	13,7 – 18,7 ft. (4,2 – 5,7 m)	818 lb. (371 kg)
8530900	20,0 – 25,0 ft. (6,1 – 7,6 m)	21,1 – 26,1 ft. (6,4 – 7,9 m)	18,7 – 23,7 ft. (5,7 – 7,2 m)	930 lb. (422 kg)
8530901	25,0 – 30,0 ft. (7,6 – 9,1 m)	26,1 – 31,1 ft. (7,9 – 9,6 m)	23,7 – 28,7 ft. (7,2 – 8,7 m)	1 041 lb. (472 kg)
	+ 6" (152 mm) säätövälit			

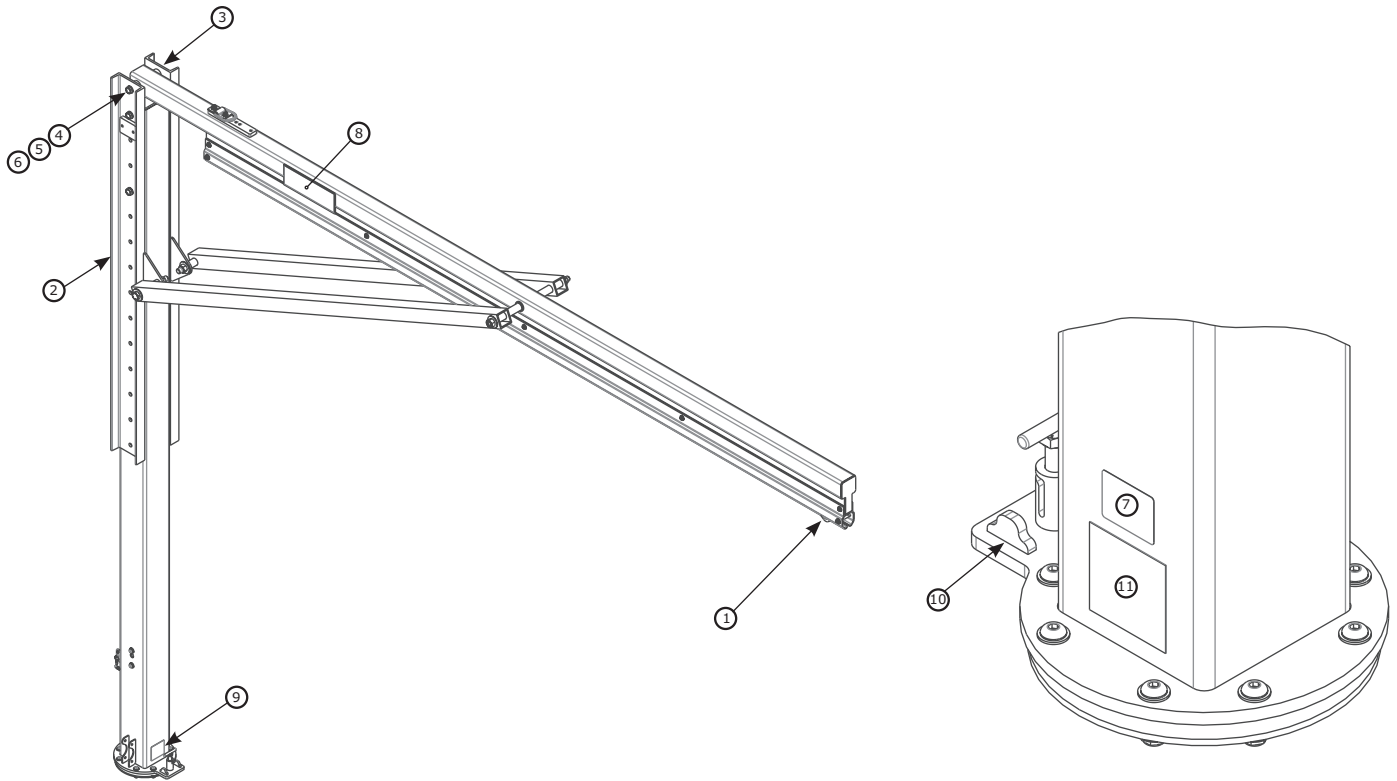
Puolikiinteän modulaarisen puomivarren osat

TEKNINEN TIETOLOMAKE: 8530899-8530901

3M

DBI
SALA®

Fall Protection



Osan- numero	Kuvaus	Materiaali	Määrä	
①	8521711	Vaunu	Ruostumaton teräs, teräs, nailon	1
②	8549933	Pelastuslaitteen kiinnityskisko	Teräs	1
③	8550248	Kisko	Teräs	1
④	8526654	Pultti 3/4" × 9"	Teräs	2
⑤	8522275	Aluslevy 3/4"	Teräs	4
⑥	8518276	Mutteri 3/4"	Teräs	2
⑦	9514429	Tunniste	Polyesteri	1

Osan- numero	Kuvaus	Materiaali	Määrä	
⑧	9515111	3M-merkintä	Polyesteri	2
⑨	9515101	Kääntömerkintä	Polyesteri	1
⑩	8550125	Käännön pysäytin	Teräs	2
⑪	9515112	Käyttäjäm- erkintä	Polyesteri	1

Säädettävä modulaarinen puomivarsi

TEKNINEN TIETOLOMAKE: 8530895–8530898



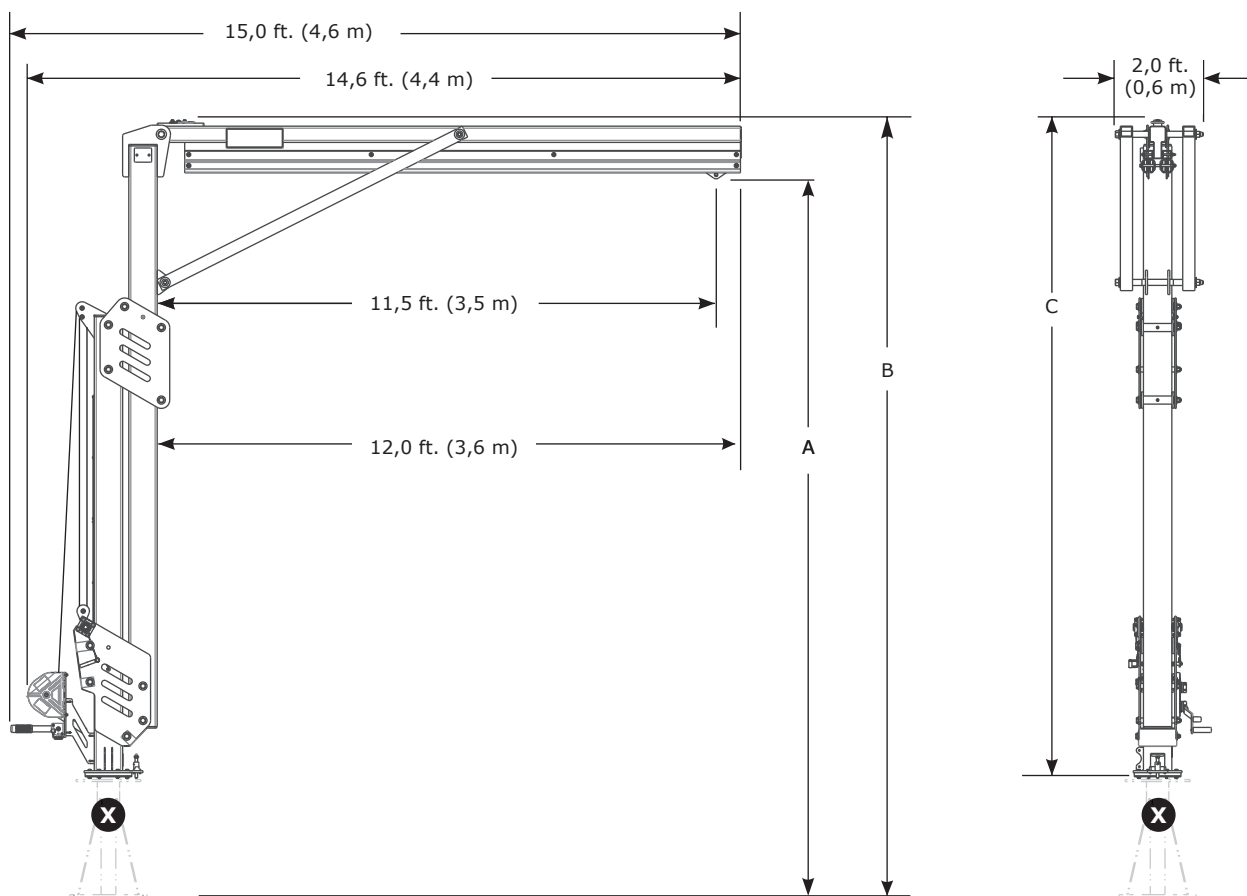
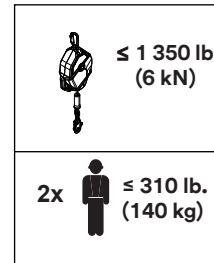
Fall Protection

KÄYTTÖKOHDE:

Modulaarinen M200-puomivarsi on suunniteltu tarjoamaan kiinnityspisteitä putoamissuojajärjestelmälle.

Lisätietoja tuotteen asennuksesta on M200-puomivarren 3M-käyttöoppaassa (5908372).

Standardit: CEN/TS 16415:2013 (tyyppi E), EN795:2012 (tyyppi E), OSHA 1910.140, OSHA 1926.502

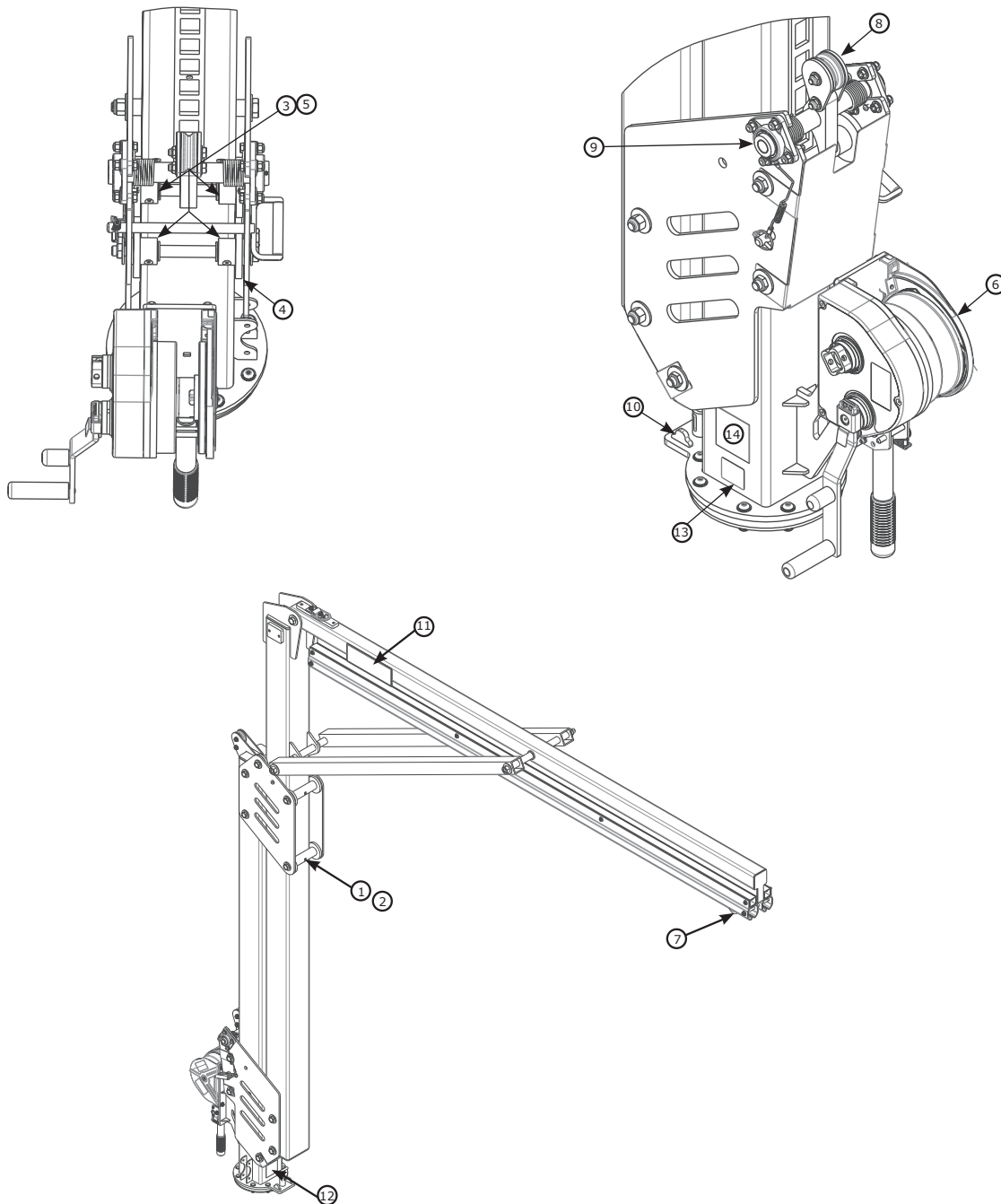


	A	B	C	lb. (kg)
8530895	12,3 – 15,0 ft. (3,8 – 4,6 m)	13,4 – 16,1 ft. (4,1 – 4,9 m)	11,0 – 13,7 ft. (3,4 – 4,2 m)	1 011 lb. (459 kg)
8530896	14,8 – 20,0 ft. (4,5 – 6,1 m)	15,9 – 21,1 ft. (4,8 – 6,4 m)	13,5 – 18,7 ft. (4,1 – 5,7 m)	1 123 lb. (509 kg)
8530897	17,3 – 25,0 ft. (5,3 – 7,6 m)	18,4 – 26,1 ft. (5,6 – 8,0 m)	16,0 – 23,7 ft. (4,9 – 7,2 m)	1 235 lb. (560 kg)
8530898	19,8 – 30,0 ft. (6,0 – 9,1 m)	20,9 – 31,1 ft. (6,4 – 9,5 m)	18,5 – 28,7 ft. (5,6 – 8,7 m)	1 343 lb. (609 kg)

Säädettävän modulaarisen puomivarren osat
TEKNINEN TIETOLOMAKE: 8530895–8530898



Fall Protection



Osaluettelo

	Osanumero	Kuvaus	Materiaali	Määrä
①	8550046	Leveä rulla	Nailon	4
②	8550047	Leveä rulla Välike	304 ruostumaton teräs	4
③	8550327	Kapea rulla	Nailon	4
④	9514703	Sivurulla	Nailon	12
⑤	8550213	Kapean rullan välike	304 ruostumaton teräs	4
⑥	8549930	Vinssi	Teräs	1
⑦	8521711	Vaunu	Teräs, nailon	1

Osaluettelo

	Osanumero	Kuvaus	Materiaali	Määrä
⑧	8550223	Lukitusmekanismi (vain valtuutettu korjaus)	Teräs, nailon	1
⑨	9515138	Laakerit	Teräs	2
⑩	8550125	Käännön pysäytin	Teräs	2
⑪	9515111	3M-merkintä	Polyesteri	2
⑫	9515101	Kääntömerkintä	Polyesteri	1
⑬	9514429	Tunniste	Polyesteri	1
⑭	9515112	Käyttäjämerekintä	Polyesteri	1

Puolikiinteä modulaarinen puomivarsi

TEKNINEN TIETOLOMAKE: 8530902–8530904



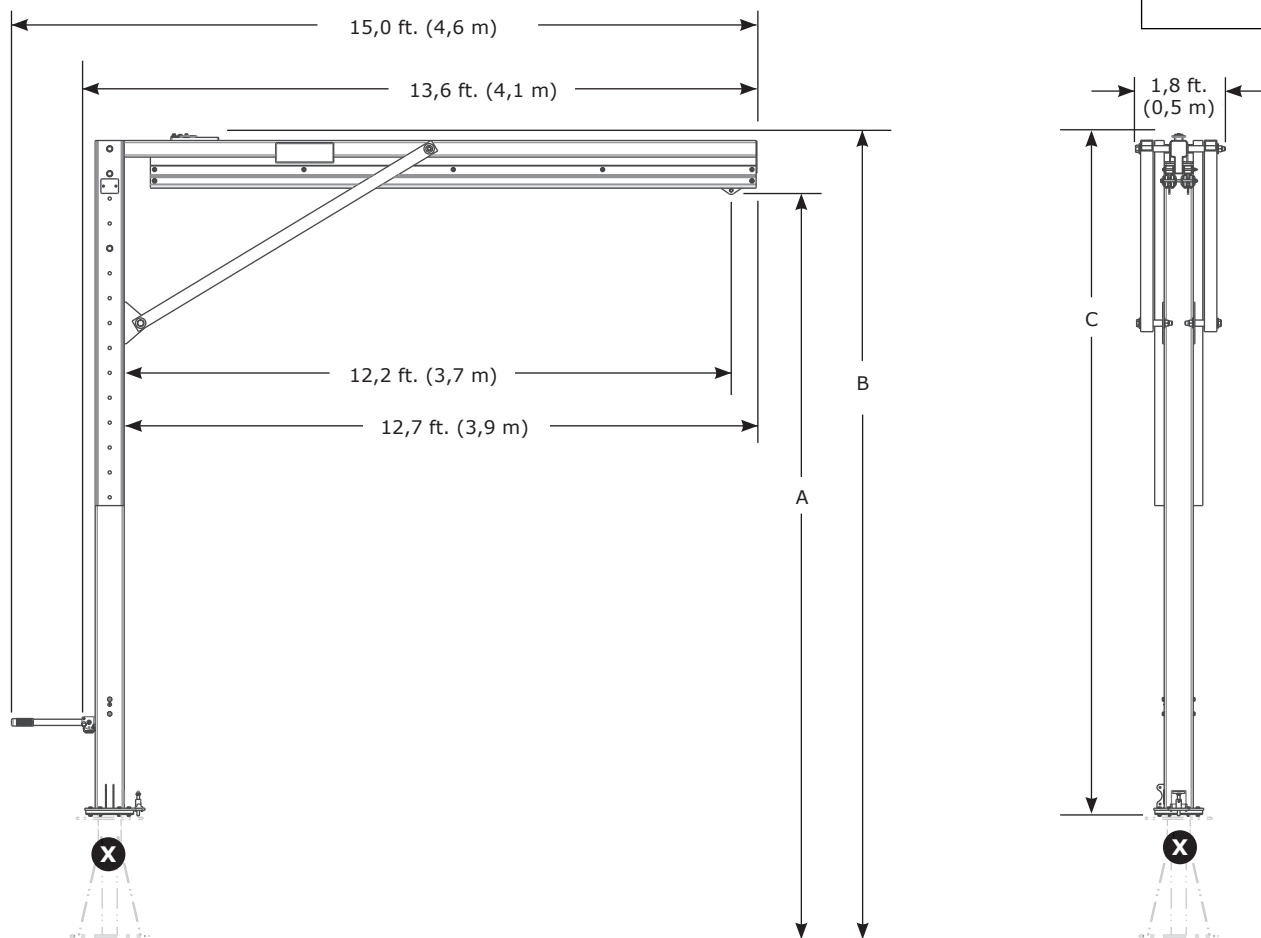
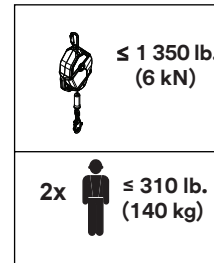
Fall Protection

KÄYTTÖKOHDE:

Modulaarinen M200-puomivarsi on suunniteltu tarjoamaan kiinnityspisteitä putoamissuojajärjestelmälle.

Lisätietoja tuotteen asennuksesta on M200-puomivarren 3M-käyttöoppaassa (5908372).

Standardit: CEN/TS 16415:2013 (tyyppi E), EN795:2012 (tyyppi E), OSHA 1910.140, OSHA 1926.502.

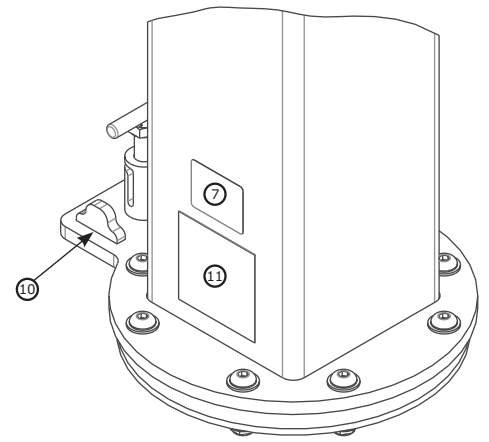
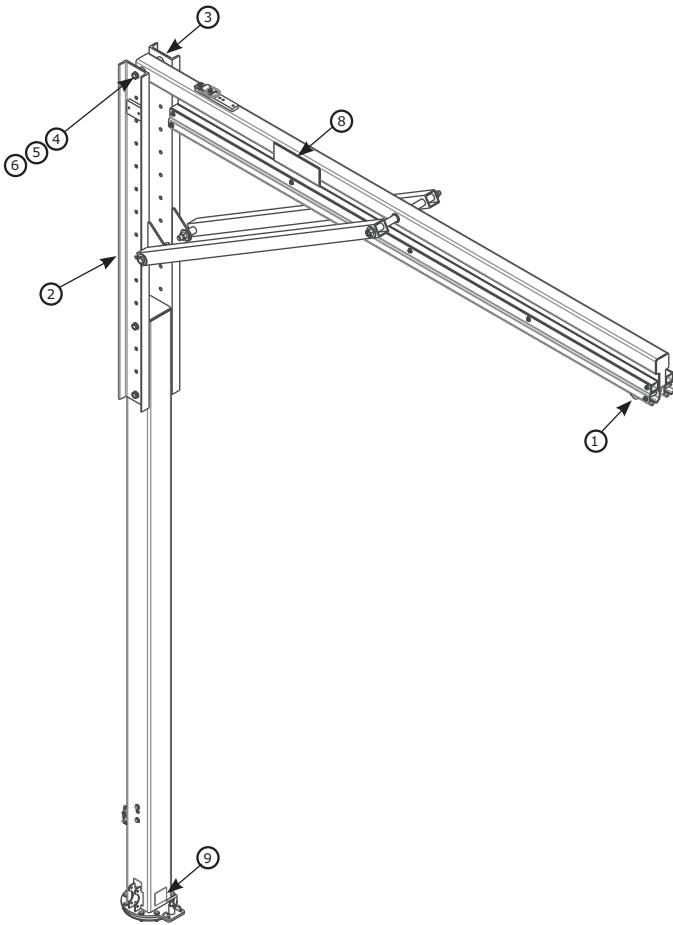


	A	B	C	lb. (kg)
8530902	15,0 – 20,0 ft. (4,6 – 6,1 m)	16,1 – 21,1 ft. (4,9 – 6,4 m)	13,7 – 18,7 ft. (4,2 – 5,7 m)	850 lb. (386 kg)
8530903	20,0 – 25,0 ft. (6,1 – 7,6 m)	21,1 – 26,1 ft. (6,4 – 7,9 m)	18,7 – 23,7 ft. (5,7 – 7,2 m)	961 lb. (436 kg)
8530904	25,0 – 30,0 ft. (7,6 – 9,1 m)	26,1 – 31,1 ft. (7,9 – 9,6 m)	23,7 – 28,7 ft. (7,2 – 8,7 m)	1 073 lb. (487 kg)

Puolikiinteän modulaarisen puomivarren osat
TEKNINEN TIETOLOMAKE: 8530902-8530904



Fall Protection



	Osanumero	Kuvaus	Materiaali	Määrä
①	8521711	Vaunu	Ruostumaton teräs, teräs, nailon	1
②	8549933	Pelastuslaitteen kiinnityskisko	Teräs	1
③	8550248	Kisko	Teräs	1
④	8526654	Pultti 3/4" × 9"	Teräs	2
⑤	8522275	Aluslevy 3/4"	Teräs	4
⑥	8518276	Mutteri 3/4"	Teräs	2
⑦	9514429	Tunniste	Polyesteri	1

	Osanumero	Kuvaus	Materiaali	Määrä
⑧	9515111	3M-merkintä	Polyesteri	2
⑨	9515101	Kääntömerkintä	Polyesteri	1
⑩	8550125	Käännön pysäytin	Teräs	2
⑪	9515112	Käyttäjämmerkintä	Polyesteri	1

M200-vastapainoalusta

TEKNINEN TIETOLOMAKE: 8530886, 8530887

3M

DBI
SALA®

Fall Protection

KÄYTTÖKOHDTE:

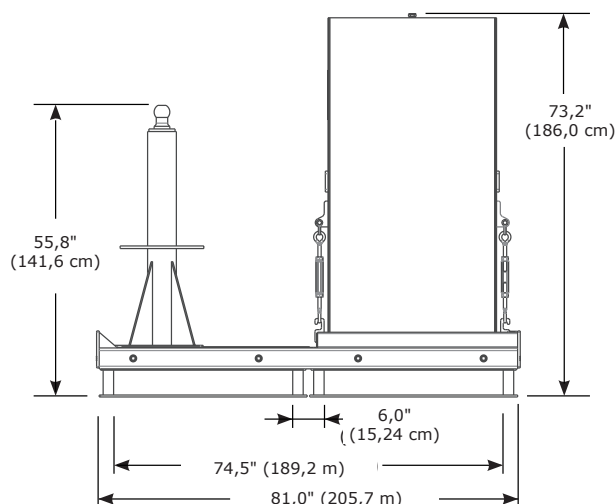
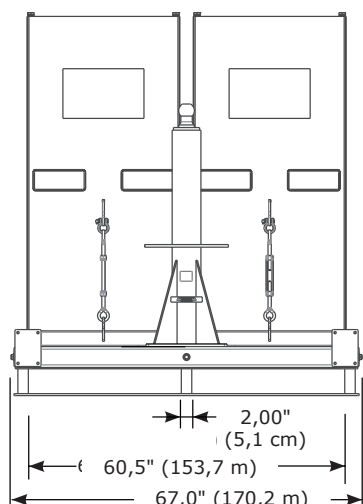
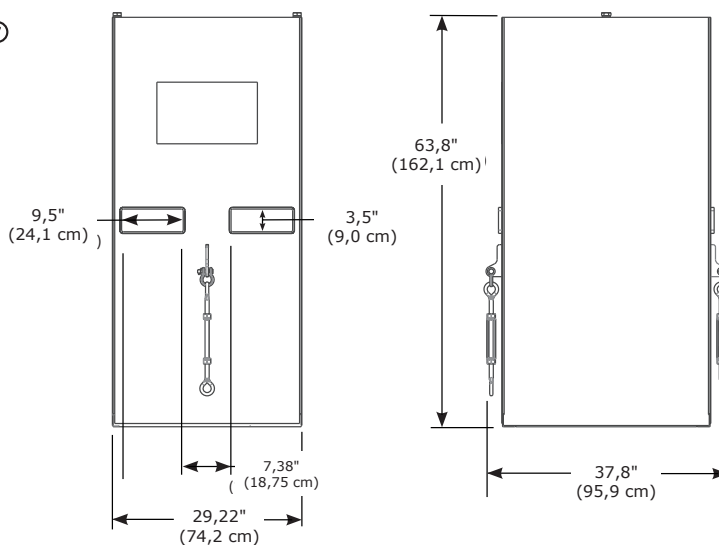
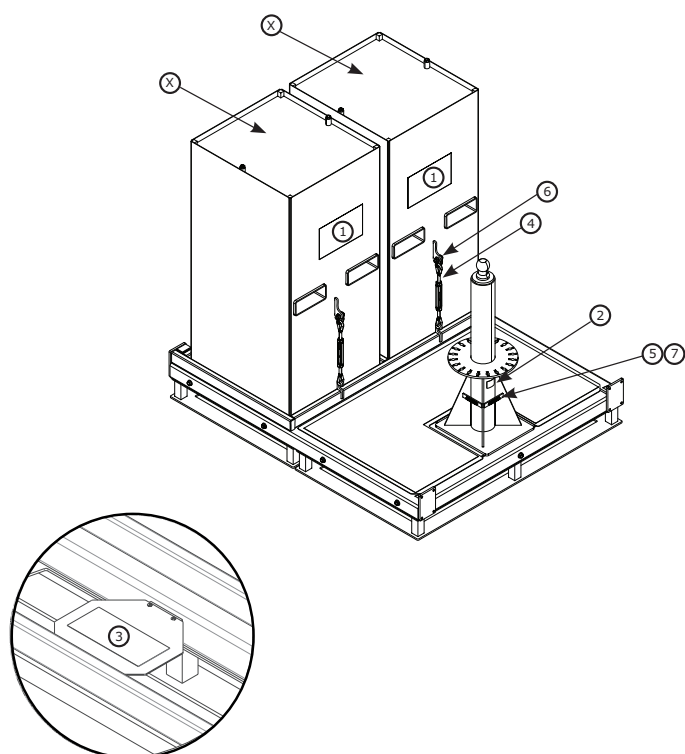
Vastapainoalusta on suunniteltu täytettäväksi betonilla ja käytettäväksi modulaarisen 3M™ DBI-SALA® Flexiguard™ -puomijärjestelmän M200 asennuspisteenä.

Lisätietoja tuotteen asennuksesta on M200-betonialustan 3M-käyttöoppaassa (5908374).

Standardit: CEN/TS 16415:2013 (tyyppi E), EN795:2012 (tyyppi E), OSHA 1910.140, OSHA 1926.502

	X 4 000 psi (30 MPa)	Tukiraken- teen vaati- mukset	Nettopaino
8530886		14 645 lb. (6 643 kg)	2 407 lb. (1 092 kg)
8530887	✓	+ M200- nostopuomin paino	11 325 lb. (5 137 kg)

Osaluettelo				
	Osanumero	Kuvaus	Materi- aali	Määrä
①	9515107	Käyttäjämer- kintä	Polyes- teri	1
②	9514429	Tunniste	Polyes- teri	1
③	9515106	Varoitusmer- kintä	Polyes- teri	1
④	8520575	Vanttiruuvi	Teräs	2
⑤	9513627	#4-ruuvi	Teräs	4
⑥	9501794	Sakkeli	Teräs	2
⑦	9515058	Vesivaaka	Muovi	2



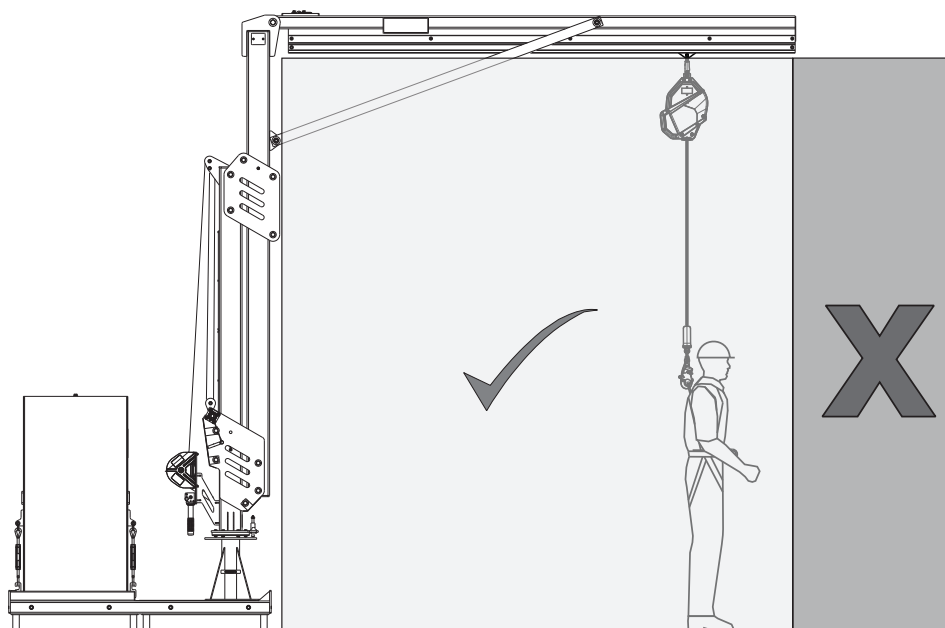
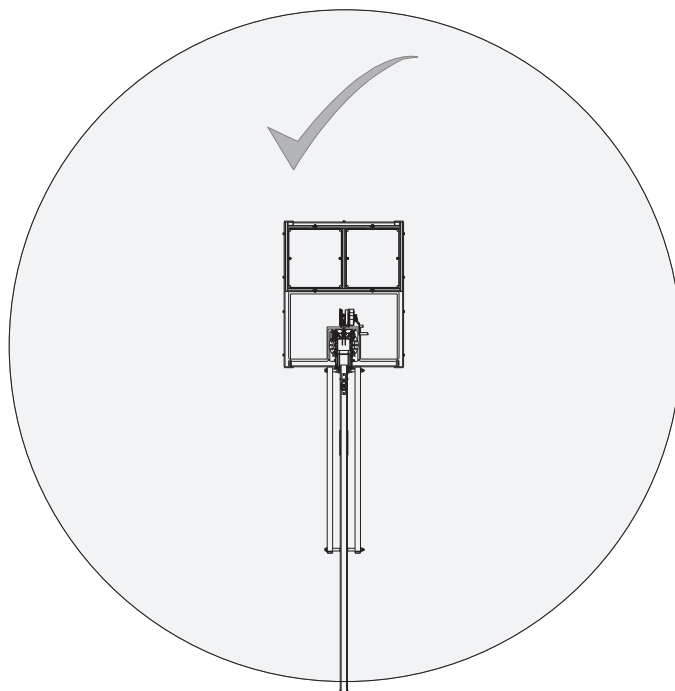
M200-vastapainoalustan työalue
TEKNINEN TIETOLOMAKE: 8530886, 8530887



Fall Protection

KÄYTTÖKOHDE:

Alla olevassa kaaviossa on kuvattu M200-betonialustan työalue.



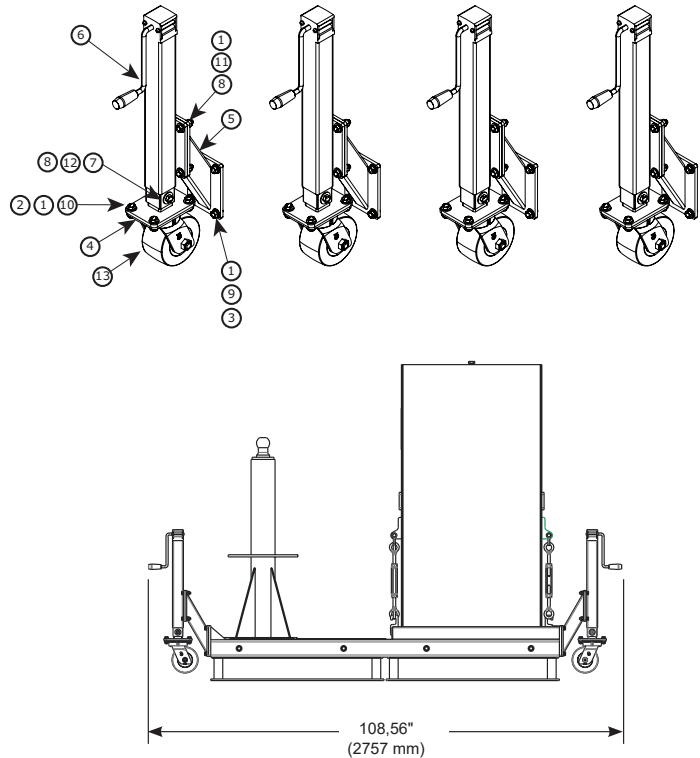
M200-vastapainoalustan varusteet

TEKNINEN TIETOLOMAKE: 8530908, 8530907, 8530777

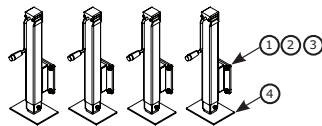


Paino	
8530908	152 lb. (69 kg)

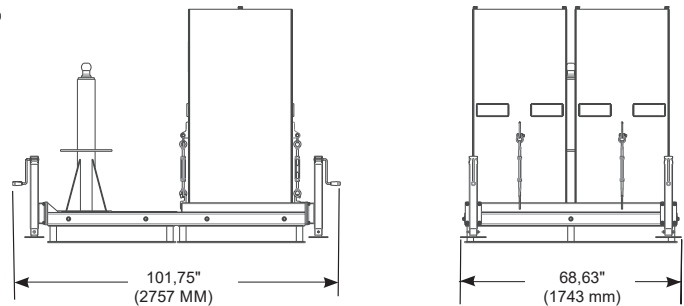
Osaluettelo				
	Osanumero	Kuvaus	Materiaali	Määrä
①	8510037	Aluslevy 1/2"	Teräs	80
②	8512460	Pultti 1/2" x 1 1/4"	Teräs	16
③	8518432	Pultti 1/2" x 1"	Teräs	16
④	8550153	Hitsattu pyörän kiinnike	Teräs	4
⑤	8550155	Hitsattu kulmarakenne	Teräs	4
⑥	8550156	Vipukokoonpano	Teräs	4
⑦	9501243	Aluslevy 1/2"	Teräs	8
⑧	9501831	Kuusiomutteri 1/2"	Teräs	20
⑨	9504221	Aluslevy 1/2"	Teräs	16
⑩	9504813	Kuusiomutteri 1/2"	Teräs	16
⑪	9509276	Pultti 1/2" x 1 3/4"	Teräs	16
⑫	9510153	Pultti 1/2" x 3 1/4"	Teräs	4
⑬	9515081	Kääntyvä pyörä	Teräs, uretaani	4



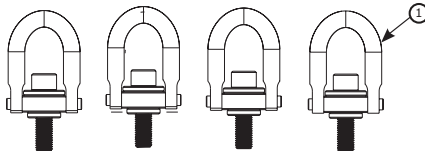
Paino	
8530907	108 lb. (49 kg)



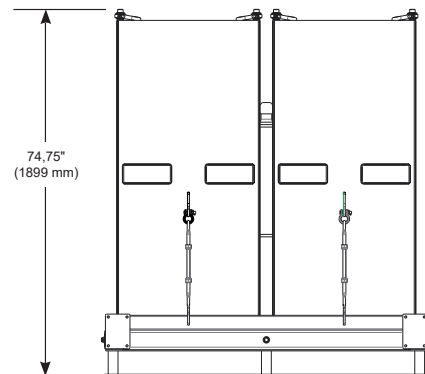
	Osanumero	Kuvaus	Materiaali	Määrä
①	9504221	Lukkolevy 1/2"	Teräs	16
②	8510037	Aluslevy 1/2"	Teräs	16
③	8518432	Pultti 1/2" x 1"	Teräs	16
④	8550177	Hitsattu pyörän kiinnike	Teräs	4



Paino	
8530777	12 lb. (5,4 kg)



Osaluettelo				
	Osanumero	Kuvaus	Materiaali	Määrä
①	9512574	Nostorengas	Teräs	4




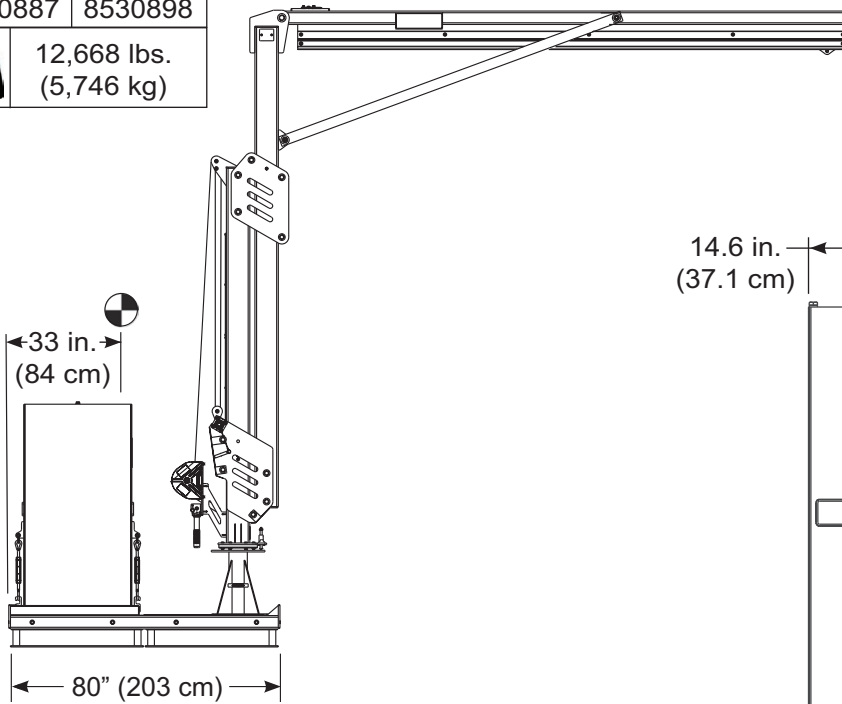
M200-vastapainoalustan painopiste
TEKNINEN TIETOLOMAKE: 8530886, 8530887




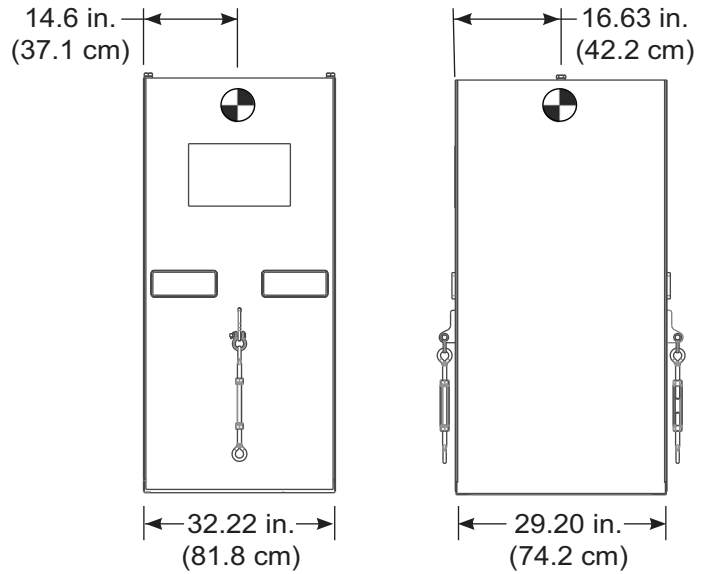
Fall Protection

8530887	8530898
---------	---------

 12,668 lbs. (5,746 kg)

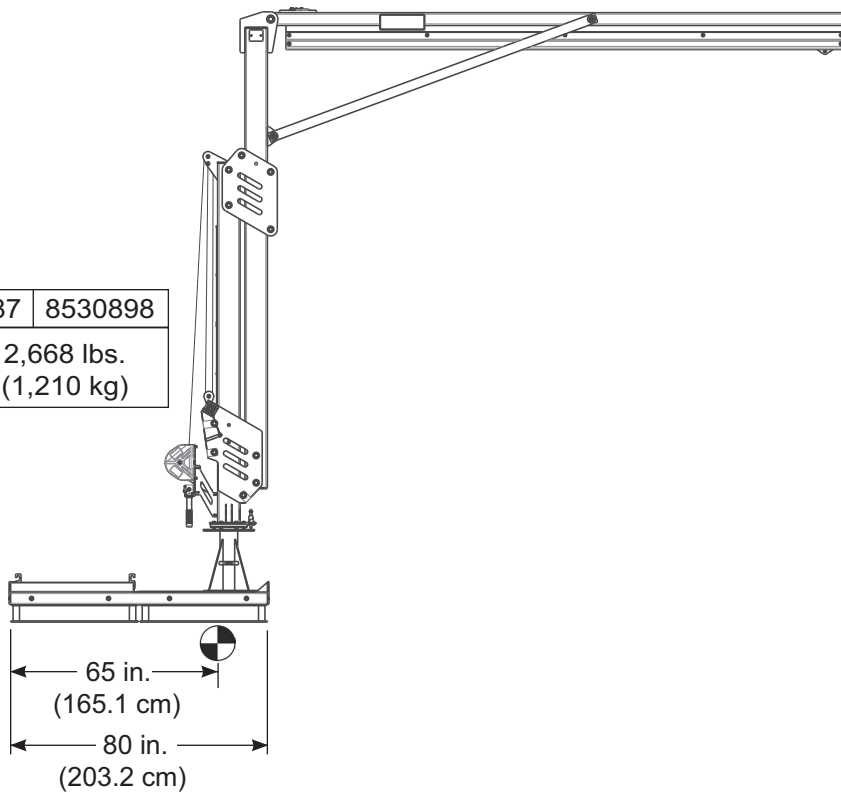


 5,000 lbs. (2,268 kg)
--




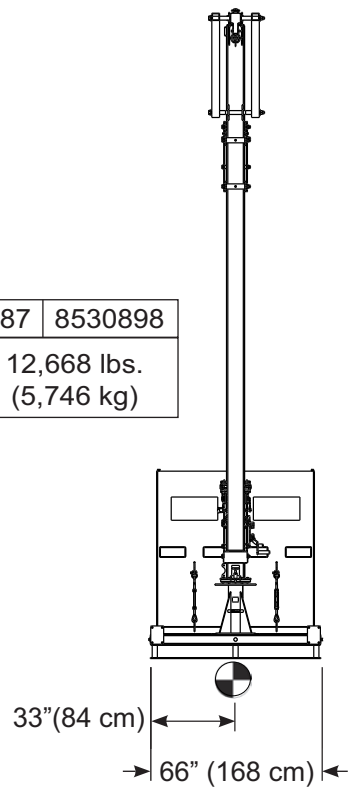
8530887	8530898
---------	---------

 2,668 lbs. (1,210 kg)



8530887	8530898
---------	---------

 12,668 lbs. (5,746 kg)



M200-lattiakiinnitysjalusta

TEKNINEN TIETOLOMAKE: 8530888



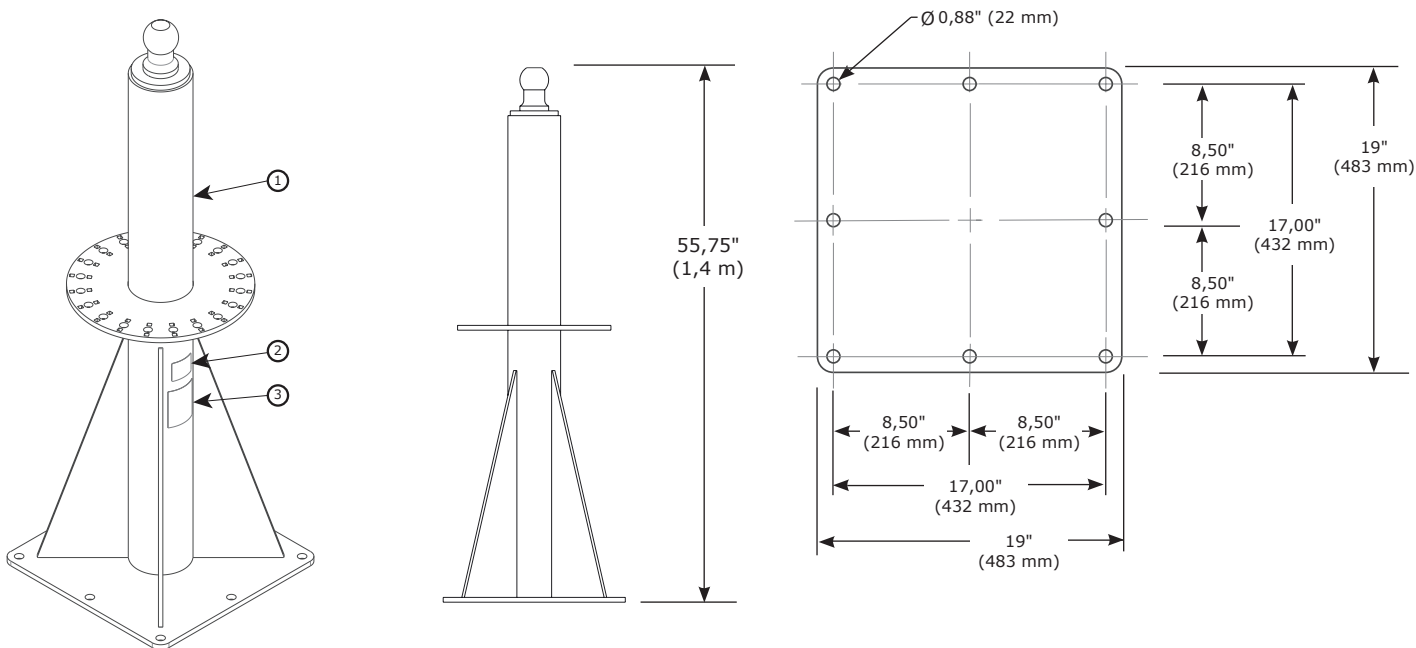
KÄYTTÖKOHDE:

Lattiakiinnitysjalusta on suunniteltu ankkuroitavaksi hyväksytyihin rakenteisiin ja käytettäväksi 3M:n hyväksytyyn modulaarisen M200-puomijärjestelmän kiinnityspisteenä.

Lisätietoja tuotteen asennuksesta on M200-lattiakiinnitysjalustan 3M-käyttöoppaassa (5908375).

Standardit: CEN/TS 16415:2013 (tyyppi A), EN795:2012 (tyyppi A), OSHA 1910.140, OSHA 1926.502

	Nettopaino
8530888	265 lb. (120 kg)



Osaluettelo				
	Osanumero	Kuvaus	Materiaali	Määrä
①	8549921	Jalustan hitsattu levy	Teräs	1
②	9514429	Tunniste	Polyesteri	1
③	9515114	Käyttäjämerkintä	Polyesteri	1

Kiinnitysvaatimukset		
Kiinnikkeen vähimmäisulosvetovoima	Kiinnitysrakenteen vähimmäismomenttikeruus	Kiinnitysrakenteen vähimmäisvertikaalikuorma
9 386 lb. (4 257 kg)	501 633 in-lb. (56 677 N-m)	3 320 lb. (1 506 kg) + peruspaino + M200-nostopuomin paino

Tasoon upotettava M200-kiinnitysjalusta

TEKNINEN TIETOLOMAKE: 8530889, 8530920, 8530921

3M

DBI
SALA

Fall Protection

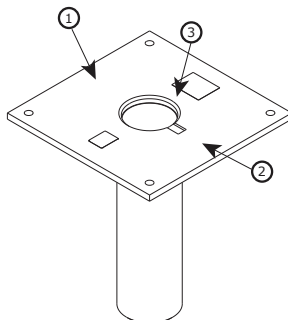
KÄYTTÖKOHDE:

Tasoon upotettava kiinnitysjalusta on suunniteltu ankkuroitavaksi hyväksytyihin rakenteisiin ja käytettäväksi 3M:n hyväksytyin modulaarisen M200-puomijärjestelmän kiinnityspisteenä.

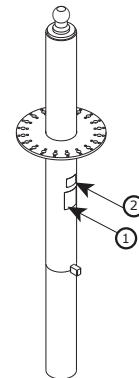
Lisätietoja tuotteen asennuksesta on tasoon upotettavan M200-kiinnitysjalustan 3M-käyttöoppaassa (5908375).

Standardit: CEN/TS 16415:2013, EN795:2012 (tyyppi A), OSHA 1910.140, OSHA 1926.502

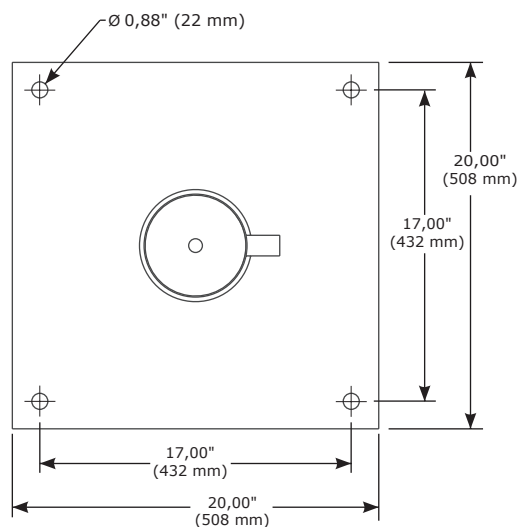
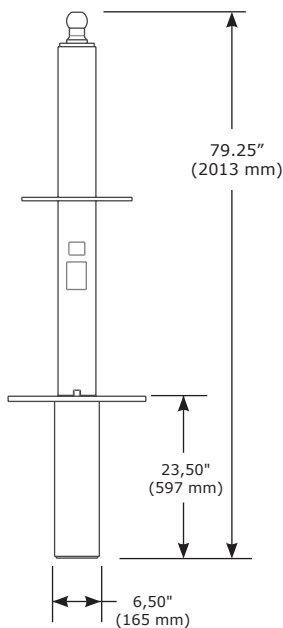
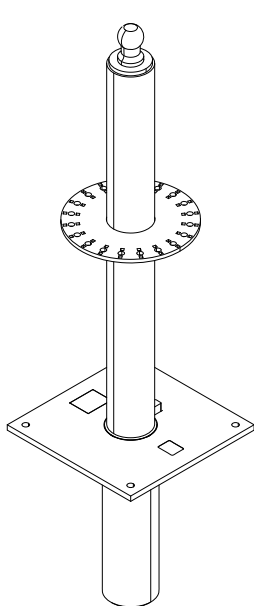
	Nettopaino
8530920	140 lb. (64 kg)



	Nettopaino
8530921	237 lb. (107 kg)



	Nettopaino
8530889	377 lb. (171 kg)



Osaluettelo				
	Osanumero	Kuvaus	Materiaali	Määrä
①	9515114	Käyttäjämerkintä	Polyesteri	1
②	9514429	Tunniste	Polyesteri	1
③	8550165	Jalustan tulppa	Alumiini, kumi	1

Kiinnitysvaatimukset	
Kiinnitysrakenteen vähimmäismomenttikuorma	Kiinnitysrakenteen vähimmäisvertikaalikuorma
501 633 in-lb. (56 677 N-m)	3 320 lb. (1 506 kg) + peruspaino + M200-nostopuomin paino

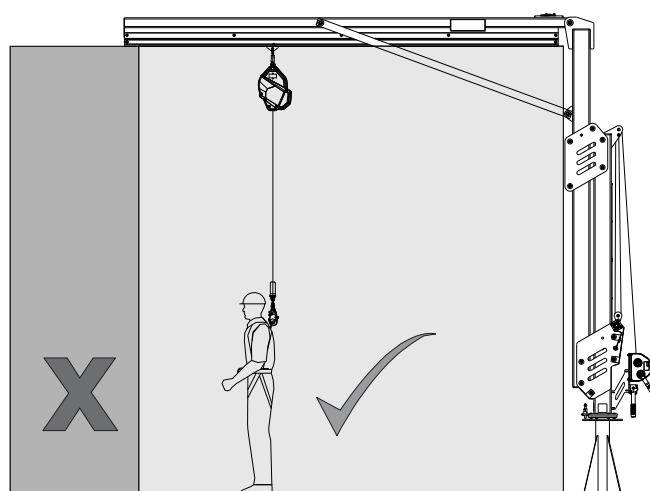
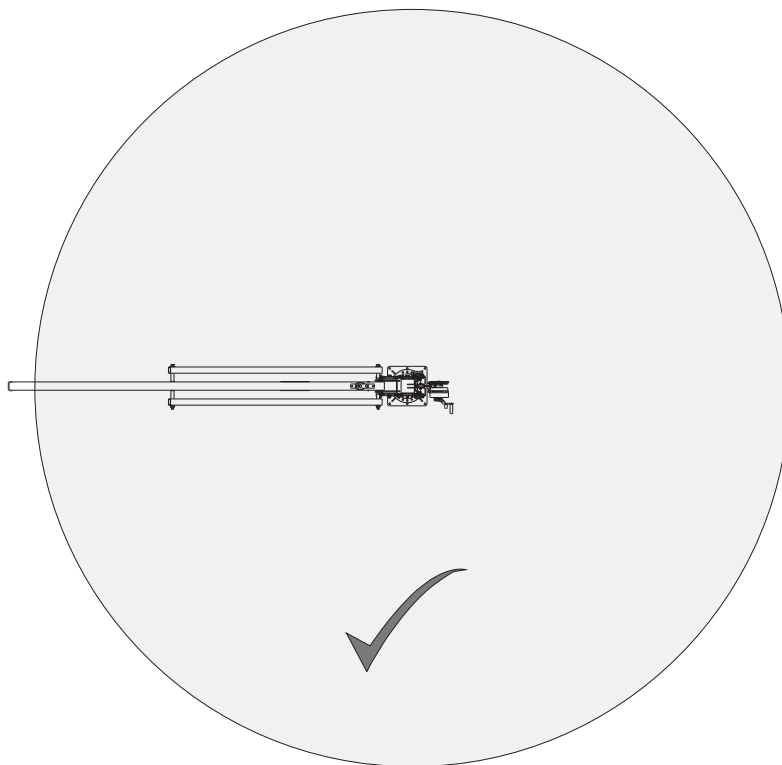
M200-lattiakiinnitysjalustan työalue
TEKNINEN TIETOLOMAKE: 8530888, 8530889



Fall Protection

KÄYTTÖKOHDE:

Alla olevassa kaaviossa on kuvattu lattiakiinnitysjalustan työalue.



M200-lattiataskusarja

TEKNINEN TIETOLOMAKE: 8530912

3M

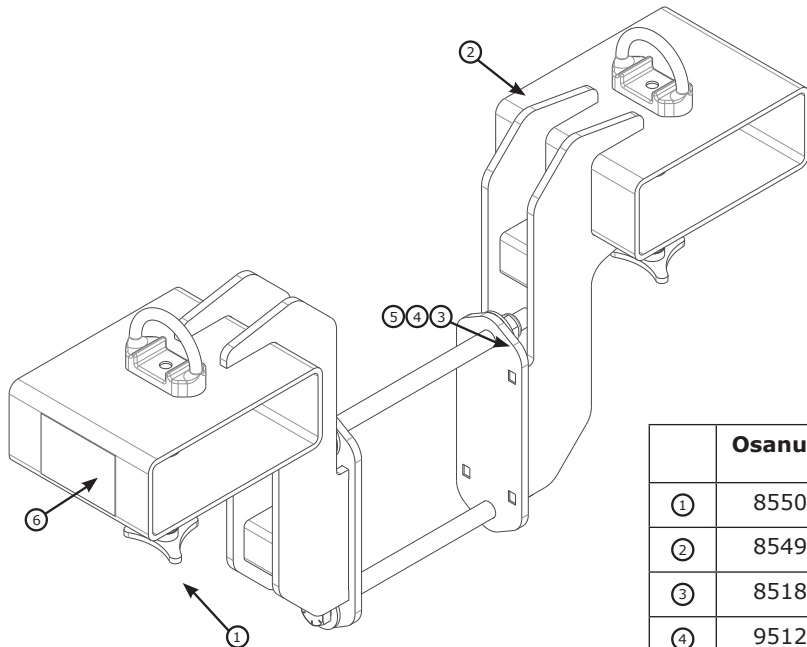
DBI
SALA

Fall Protection

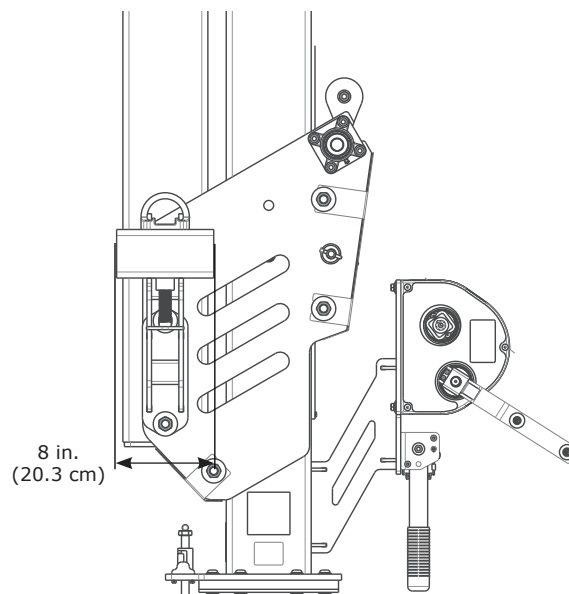
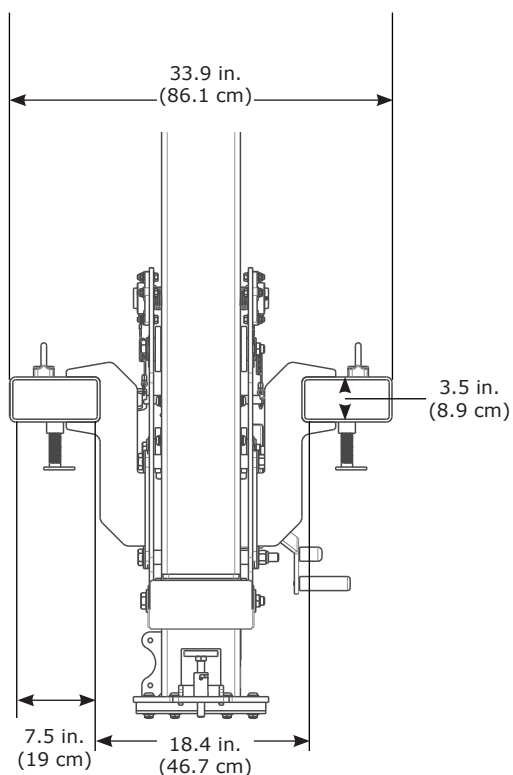
KÄYTTÖKOHDE:

M200-lattiataskusarja on suunniteltu säädettävän nostopuomin kuljetusta varten.

Katso osien tekniset tiedot mainituista lomakkeista.



	Osanumero	Kuvaus	Määrä
①	8550127	Sormiruuvi	2
②	8549905	Hitsattu haarukatasku	2
③	8518276	Kuusiomutteri 3/4"	2
④	9512004	Pultti 3/4" x 12"	2
⑤	M970033018	Aluslevy 3/4"	4
⑥	9515122	Käyttäjämerkintä	1
	9500146	Ketjun rengas	2
	8517096	Ketju	10 ft.





Protection
antichute

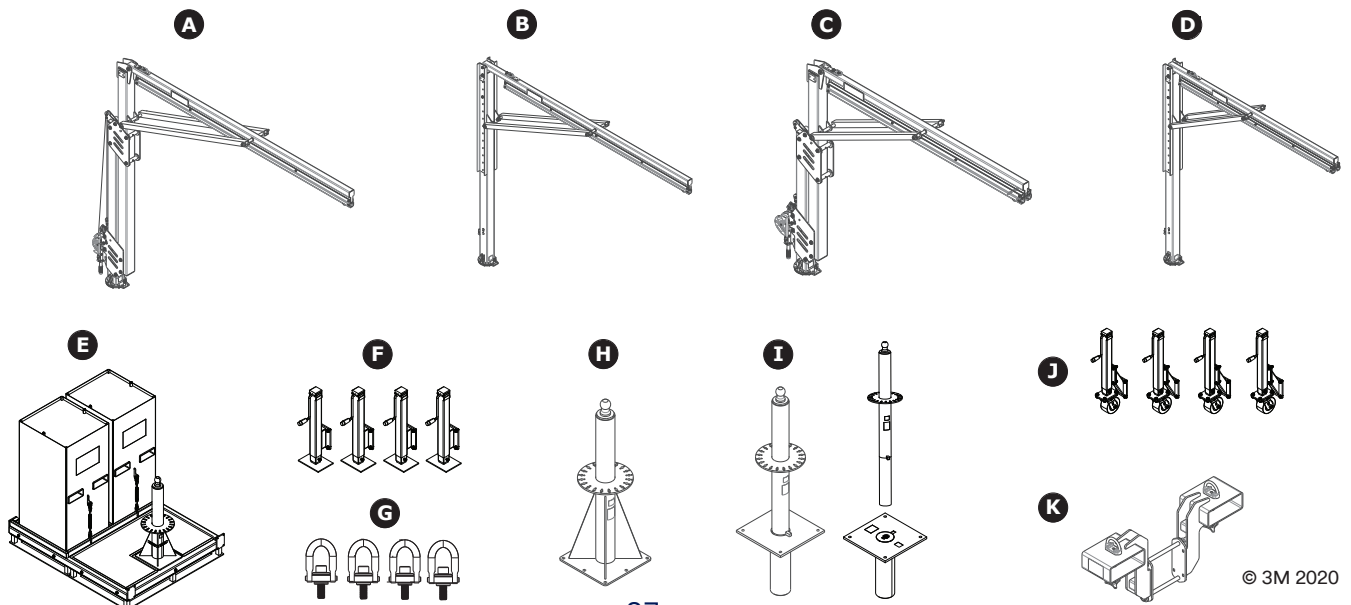


OSHA

**DBI-SALA® Flexiguard™
de 3M™
Systèmes de flèches modulaires
M200**

**Liase de fiches techniques
5908526 Rev. C**

Référence	Fiche technique	Description	Page
A	8530891	3,8 m à 4,6 m (12,3 pi à 15 pi) Bras de flèche réglable	88
	8530892	4,5 m à 6,1 m (14,8 pi à 20 pi) Bras de flèche réglable	88
	8530893	5,3 m à 7,6 m (17,3 pi à 25 pi) Bras de flèche réglable	88
	8530894	6,1 m à 9,1 m (19,8 pi à 30 pi) Bras de flèche réglable	88
B	8530899	4,6 m à 6,1 m (15 pi à 20 pi) Bras de flèche semi-réglable	90
	8530900	6,1 m à 7,6 m (20 pi à 25 pi) Bras de flèche semi-réglable	90
	8530901	7,6 m à 9,1 m (25 pi à 30 pi) Bras de flèche semi-réglable	90
C	8530895	3,8 m à 4,6 m (12,3 pi à 15 pi) Bras de flèche réglable	92
	8530896	4,5 m à 6,1 m (14,8 pi à 20 pi) Bras de flèche réglable	92
	8530897	5,3 m à 7,6 m (17,3 pi à 25 pi) Bras de flèche réglable	92
	8530898	6,1 m à 9,1 m (19,8 pi à 30 pi) Bras de flèche réglable	92
D	8530902	4,6 m à 6,1 m (15 pi à 20 pi) Bras de flèche semi-réglable	94
	8530903	6,1 m à 7,6 m (20 pi à 25 pi) Bras de flèche semi-réglable	94
	8530904	7,6 m à 9,1 m (25 pi à 30 pi) Bras de flèche semi-réglable	94
E	8530886	Base à contrepoids non remplie	96
	8530887	Base à contrepoids remplie	96
F	8530907	Vérins de base à contrepoids	98
G	8530777	Anneaux de levage de base à contrepoids	98
H	8530888	Base de montage au sol	100
I	8530889, 8530920, 8530921	Base encastrable	101
J	8530908	Roues de la base à contrepoids	98
K	8530912	Kit de fourreaux de fourche	103



Bras de flèche modulaire réglable

FICHE TECHNIQUE : 8530891-8530894



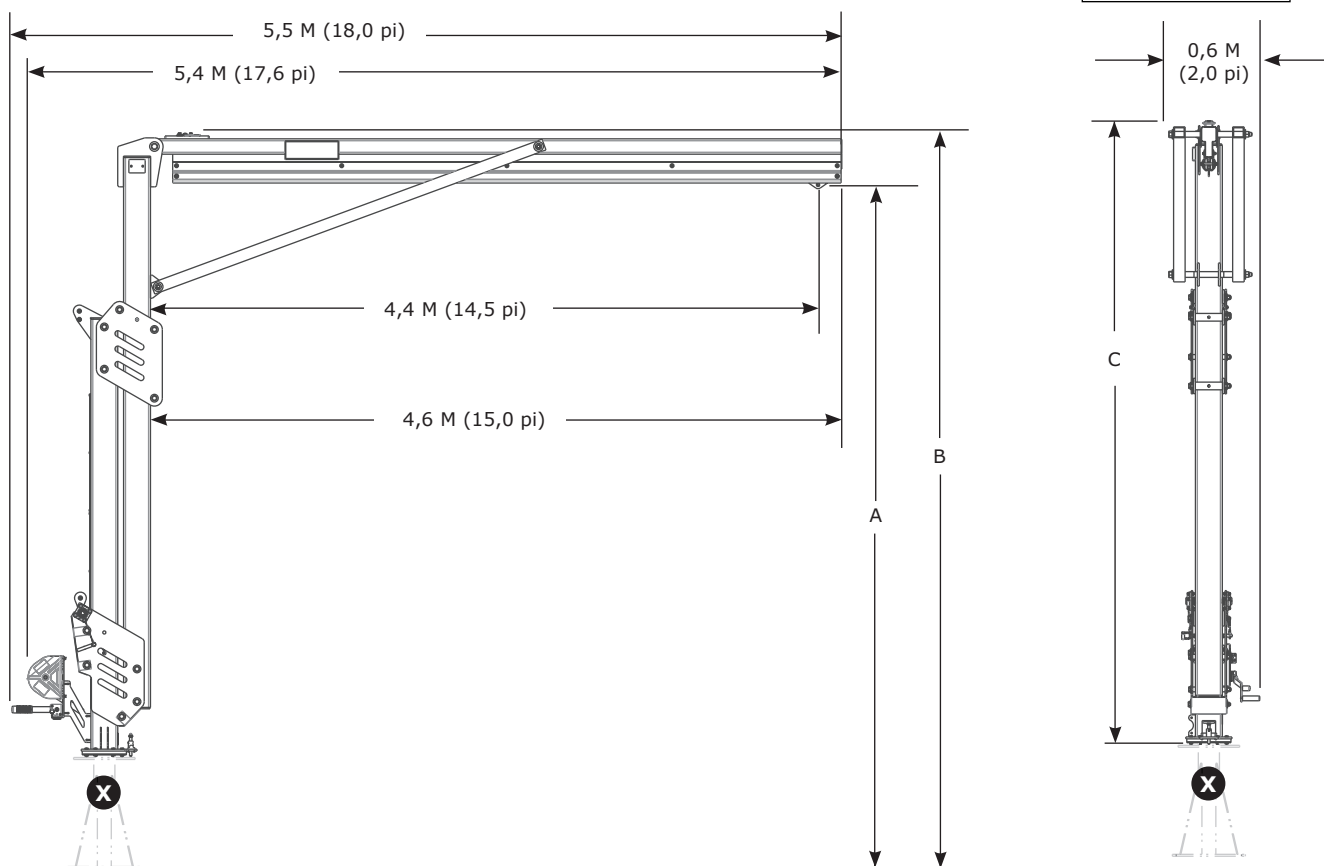
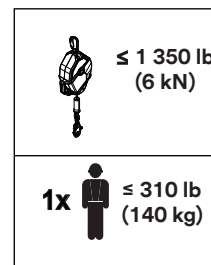
Fall Protection

APPLICATION :

Le bras de flèche modulaire M200 est conçu pour fournir des points de connexion d'ancrage pour un système de protection antichute.

Pour plus d'informations sur l'installation du produit, consultez la notice 3M pour le bras de flèche M200 (5908372).

Normes : EN795:2012 (type E), OSHA 1910.140, OSHA 1926.502



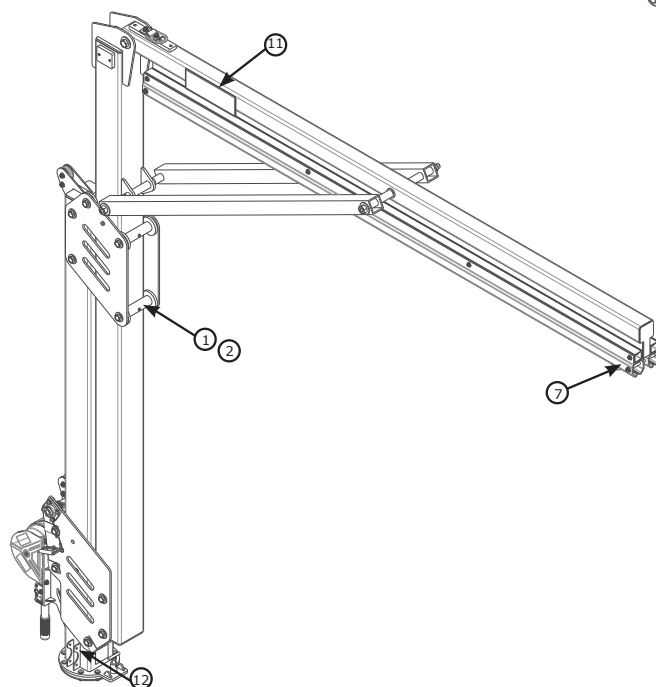
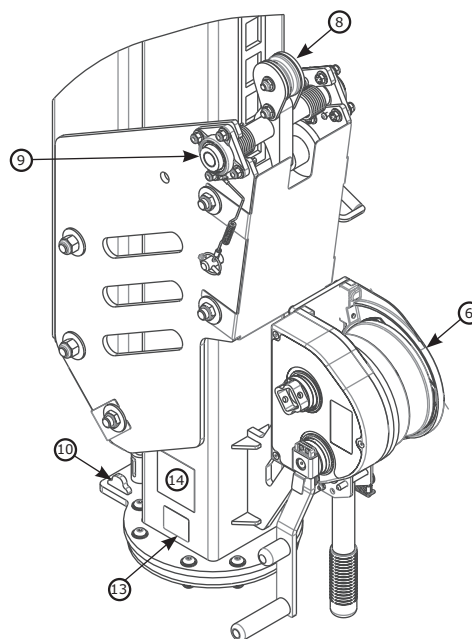
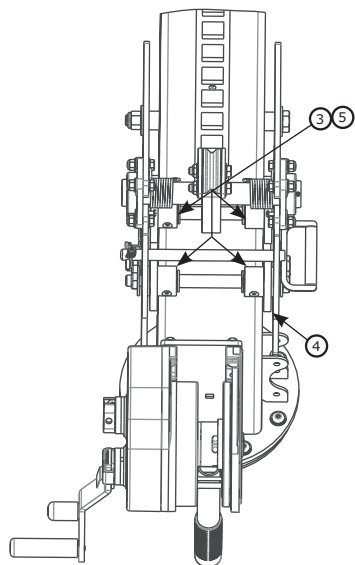
	A	B	C	lb (kg)
8530891	3,8 m à 4,6 m (12,3 pi à 15,0 pi)	4,1 m à 4,9 m (13,4 pi à 16,1 pi)	3,0 m à 4,5 pi (9,8 pi à 14,8 pi)	945 lb (429 kg)
8530892	4,5 m à 6,1 m (14,8 pi à 20,0 pi)	4,8 m à 6,4 m (15,9 pi à 21,1 pi)	4,1 m à 5,7 m (13,5 pi à 18,7 pi)	1 057 lb (479 kg)
8530893	5,3 m à 7,6 m (17,3 pi à 25,0 pi)	5,6 m à 8,0 m (18,4 pi à 26,1 pi)	4,9 m à 7,2 m (16,0 à 23,7 pi)	1 169 lb (530 kg)
8530894	6,0 m à 9,1 m (19,8 pi à 30,0 pi)	6,4 m à 9,5 m (20,9 pi à 31,1 pi)	5,6 m à 8,7 m (18,5 pi à 28,7 pi)	1 281 lb (581 kg)

Composants réglables du bras de flèche modulaire

FICHE TECHNIQUE : 8530891-8530894



Fall Protection



Liste des composants				
	Numéro de pièce	Description	Matériau	Quantité
①	8550046	Rouleau large	Nylon	4
②	8550047	Entretoise pour rouleau large	Acier inoxydable 304	4
③	8550327	Rouleau étroit	Nylon	4
④	9514703	Rouleau latéral	Nylon	12
⑤	8550213	Entretoise pour rouleau étroit	Acier inoxydable 304	4
⑥	8549930	Treuil	Acier	1
⑦	8521711	Chariot	Acier, nylon	1

Liste des composants				
	Numéro de pièce	Description	Matériau	Quantité
⑧	8550223	Mécanisme de verrouillage (réparation agréée uniquement)	Acier, nylon	1
⑨	9515138	Roulements	Acier	2
⑩	8550125	Butée de rotation	Acier	2
⑪	9515111	Étiquette 3M	Polyester	2
⑫	9515101	Étiquette de sens de rotation	Polyester	1
⑬	9514429	Étiquette d'identification	Polyester	1
⑭	9515112	Étiquette utilisateur	Polyester	1

Bras de flèche modulaire semi-fixe

FICHE TECHNIQUE : 8530899-8530901



Fall Protection

APPLICATION :

Le bras de flèche modulaire M200 est conçu pour fournir des points de connexion d'ancrage pour un système de protection antichute.

Pour plus d'informations sur l'installation du produit, consultez la notice 3M pour le bras de flèche M200 (5908372).

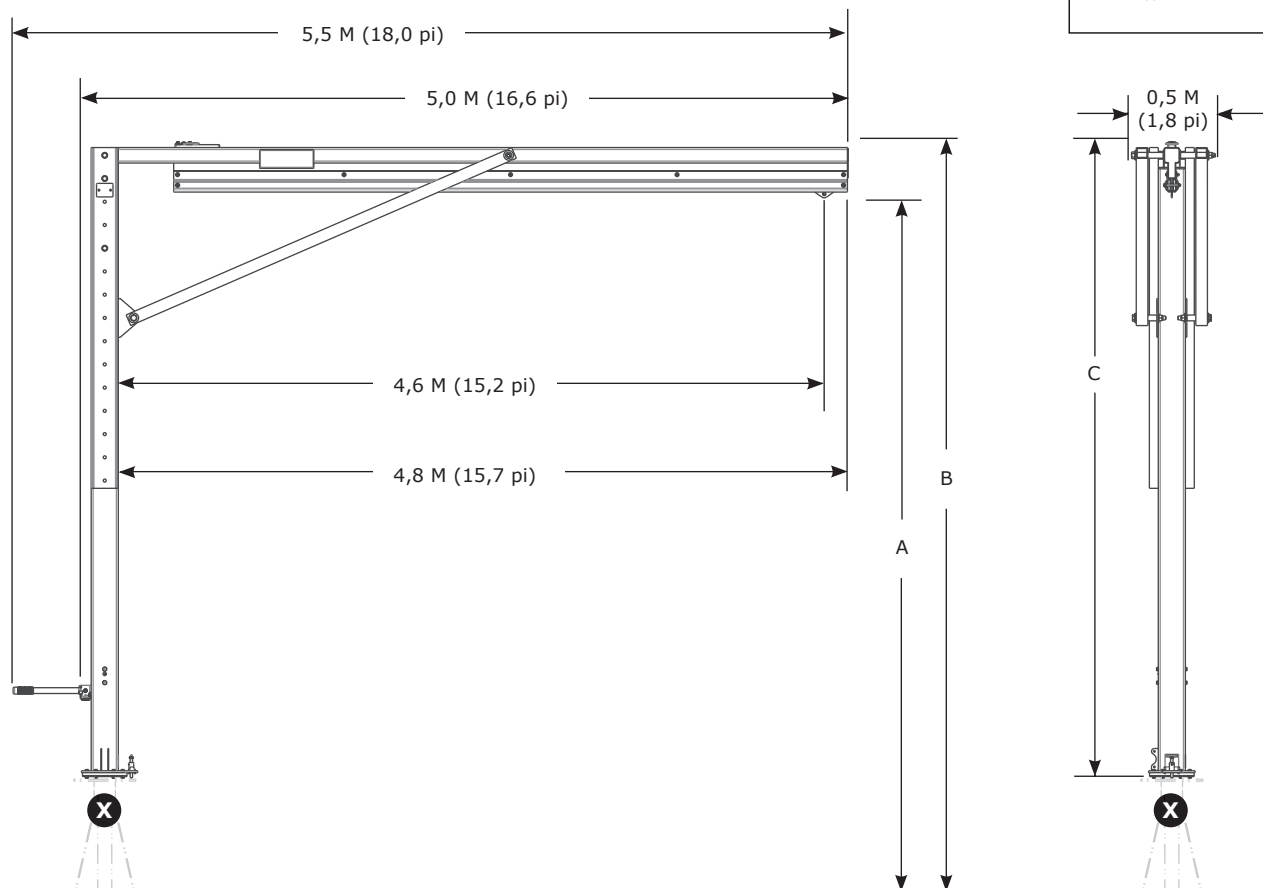
Normes : EN795:2012 (type E), OSHA 1910.140, OSHA 1926.502.



≤ 1 350 lb
(6 kN)



1x ≤ 310 lb
(140 kg)



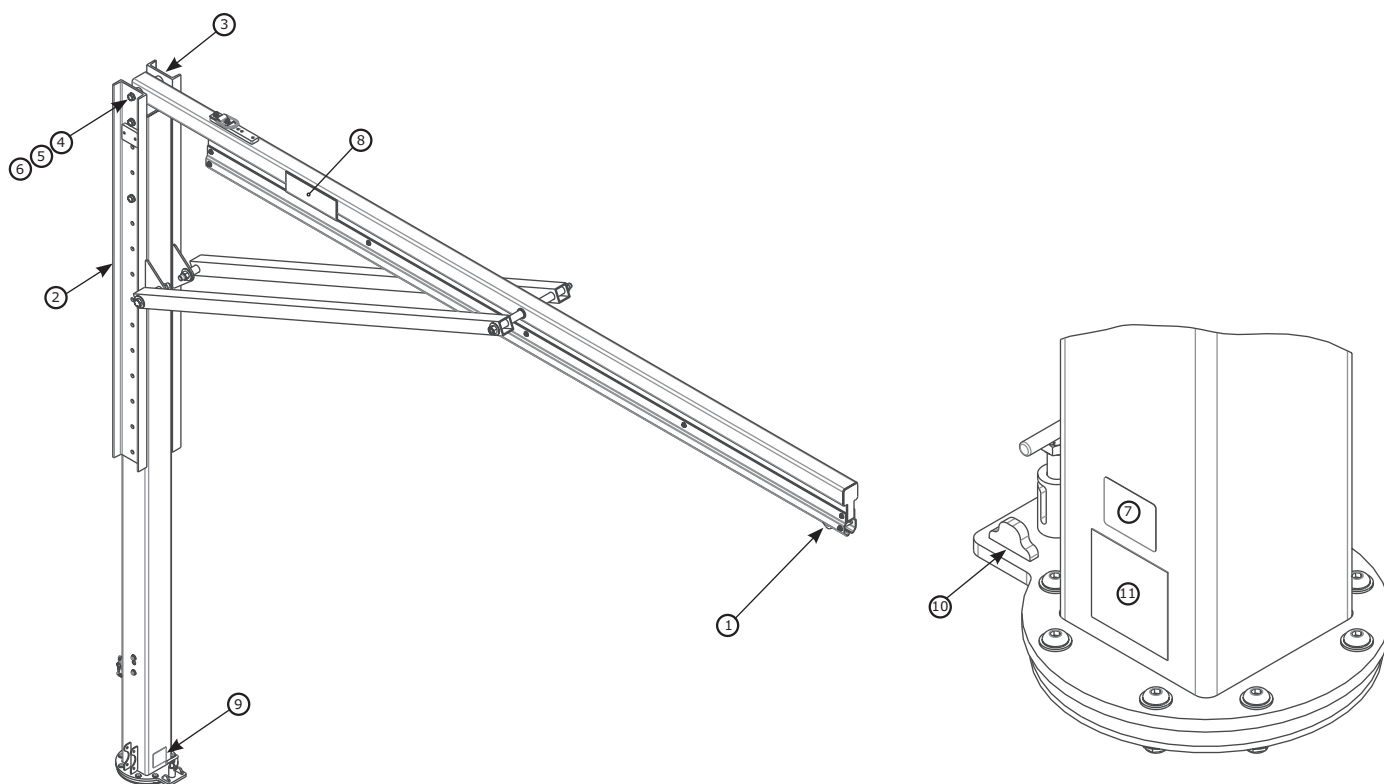
	A	B	C	lb (kg)
8530899	4,6 m à 6,1 m 1 (5,0 pi à 20,0 pi)	4,9 m à 6,4 m (16,1 pi à 21,1 pi)	4,2 m à 5,7 m (13,7 pi à 18,7 pi)	818 lb (371 kg)
8530900	6,1 m à 7,6 m (20,0 pi à 25,0 pi)	6,4 m à 7,9 m (21,1 pi à 26,1 pi)	5,7 m à 7,2 m (18,7 pi à 23,7 pi)	930 lb (422 kg)
8530901	7,6 m à 9,1 m (25,0 pi à 30,0 pi)	7,9 m à 9,6 m (26,1 pi à 31,1 pi)	7,2 m à 8,7 m (23,7 pi à 28,7 pi)	1 041 lb (472 kg)
paliers de réglage de 6 po (152 mm)				

Composants semi-fixes du bras de flèche modulaire

FICHE TECHNIQUE : 8530899-8530901



Fall Protection



	Numéro de pièce	Description	Matériau	Quantité
①	8521711	Chariot	Acier inoxydable, acier, nylon	1
②	8549933	Canal de montage de sauvetage	Acier	1
③	8550248	Canal	Acier	1
④	8526654	Boulon de 3/4 po x 9 po	Acier	2
⑤	8522275	Rondelle de 3/4 po	Acier	4
⑥	8518276	Écrou de 3/4 po	Acier	2
⑦	9514429	Étiquette d'identification	Polyester	1

	Numéro de pièce	Description	Matériau	Quantité
⑧	9515111	Étiquette 3M	Polyester	2
⑨	9515101	Étiquette de sens de rotation	Polyester	1
⑩	8550125	Butée de rotation	Acier	2
⑪	9515112	Étiquette utilisateur	Polyester	1

Bras de flèche modulaire réglable

FICHE TECHNIQUE : 8530895-8530898



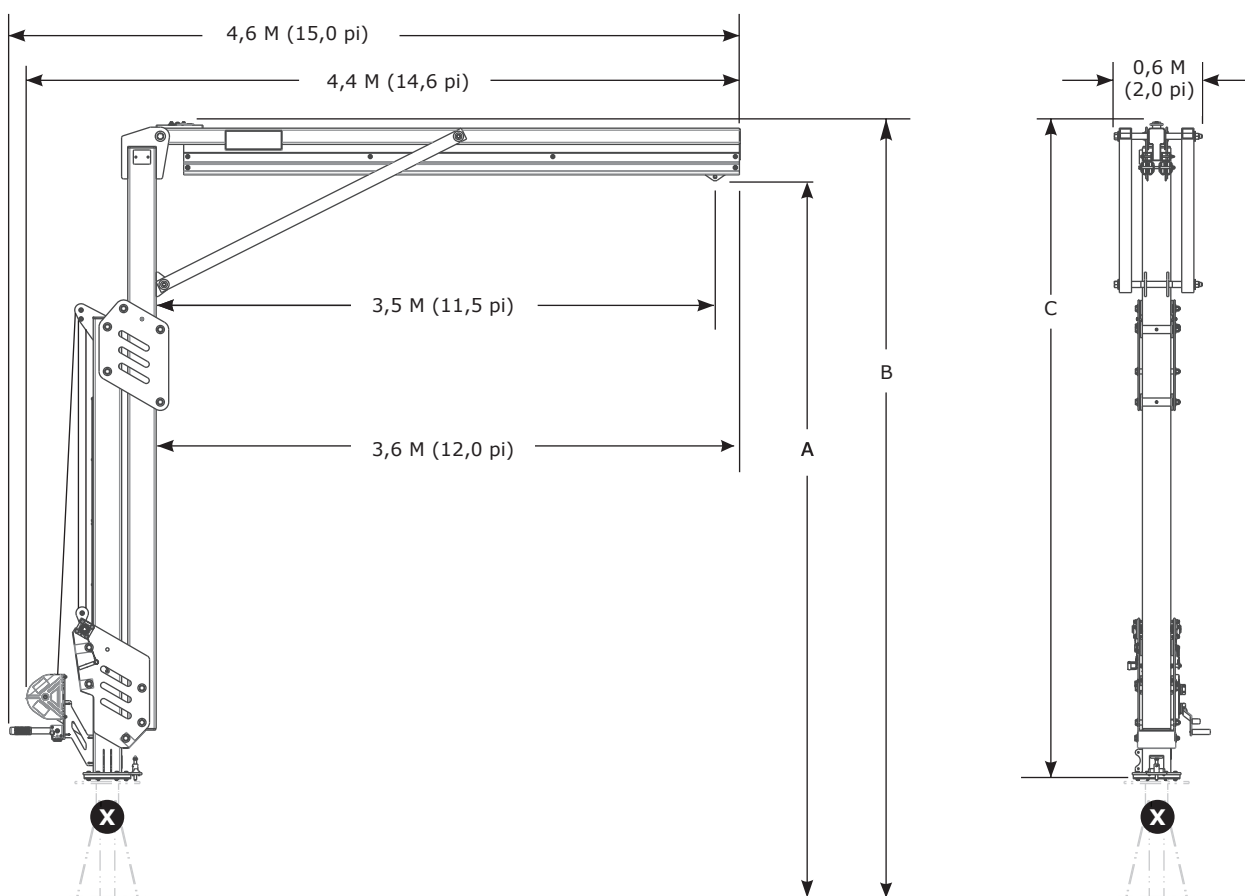
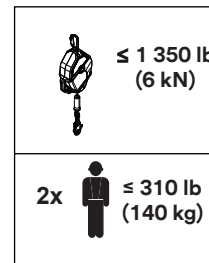
Fall Protection

APPLICATION :

Le bras de flèche modulaire M200 est conçu pour fournir des points de connexion d'ancrage pour un système de protection antichute.

Pour plus d'informations sur l'installation du produit, consultez la notice 3M pour le bras de flèche M200 (5908372).

Normes : CEN/TS 16415:2013 (type E), EN795:2012 (type E), OSHA 1910.140 et OSHA 1926.502



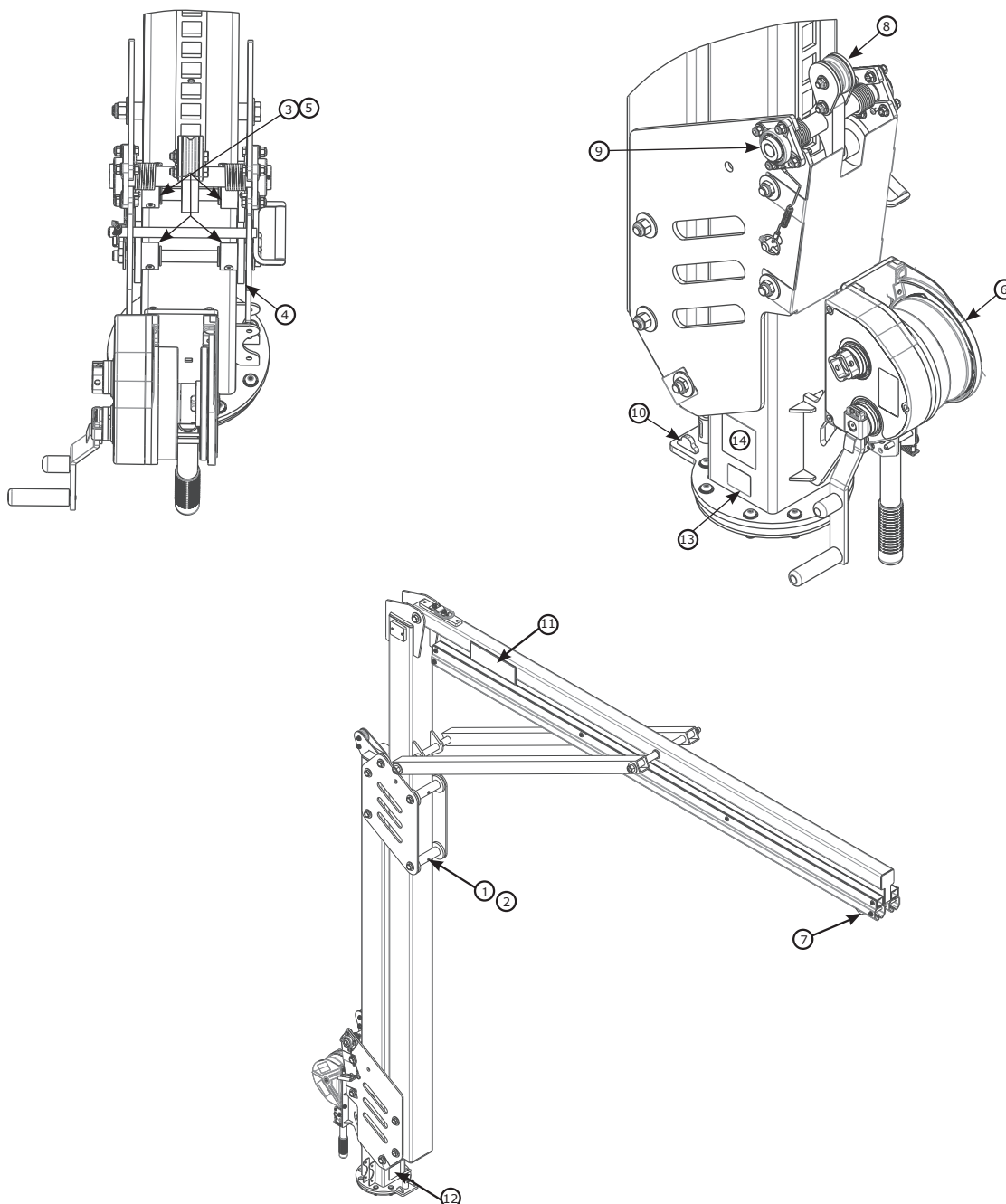
	A	B	C	lb (kg)
8530895	3,8 m à 4,6 m (12,3 pi à 15,0 pi)	4,1 m à 4,9 m (13,4 pi à 16,1 pi)	3,4 m à 4,2 m (11,0 pi à 13,7 pi)	1 011 lb (459 kg)
8530896	4,5 m à 6,1 m (14,8 pi à 20,0 pi)	4,8 m à 6,4 m (15,9 pi à 21,1 pi)	4,1 m à 5,7 m (13,5 pi à 18,7 pi)	1 123 lb (509 kg)
8530897	5,3 m à 7,6 m (17,3 pi à 25,0 pi)	5,6 m à 8,0 m (18,4 pi à 26,1 pi)	4,9 m à 7,2 m (16,0 à 23,7 pi)	1 235 lb (560 kg)
8530898	6,0 m à 9,1 m (19,8 pi à 30,0 pi)	6,4 m à 9,5 m (20,9 pi à 31,1 pi)	5,6 m à 8,7 m (18,5 pi à 28,7 pi)	1 343 lb (609 kg)

Composants réglables du bras de flèche modulaire

FICHE TECHNIQUE : 8530895-8530898



Fall Protection



Liste des composants				
	Numéro de pièce	Description	Matériau	Quantité
①	8550046	Rouleau large	Nylon	4
②	8550047	Rouleau large Espaceur	Acier inoxydable 304	4
③	8550327	Rouleau étroit	Nylon	4
④	9514703	Rouleau latéral	Nylon	12
⑤	8550213	Entretoise pour rouleau étroit	Acier inoxydable 304	4
⑥	8549930	Treuil	Acier	1
⑦	8521711	Chariot	Acier, nylon	1

Liste des composants				
	Numéro de pièce	Description	Matériau	Quantité
⑧	8550223	Mécanisme de verrouillage (réparation agréée uniquement)	Acier, nylon	1
⑨	9515138	Roulements	Acier	2
⑩	8550125	Butée de rotation	Acier	2
⑪	9515111	Étiquette 3M	Polyester	2
⑫	9515101	Étiquette de sens de rotation	Polyester	1
⑬	9514429	Étiquette d'identification	Polyester	1
⑭	9515112	Étiquette utilisateur	Polyester	1

Bras de flèche modulaire semi-fixe

FICHE TECHNIQUE : 8530902-8530904



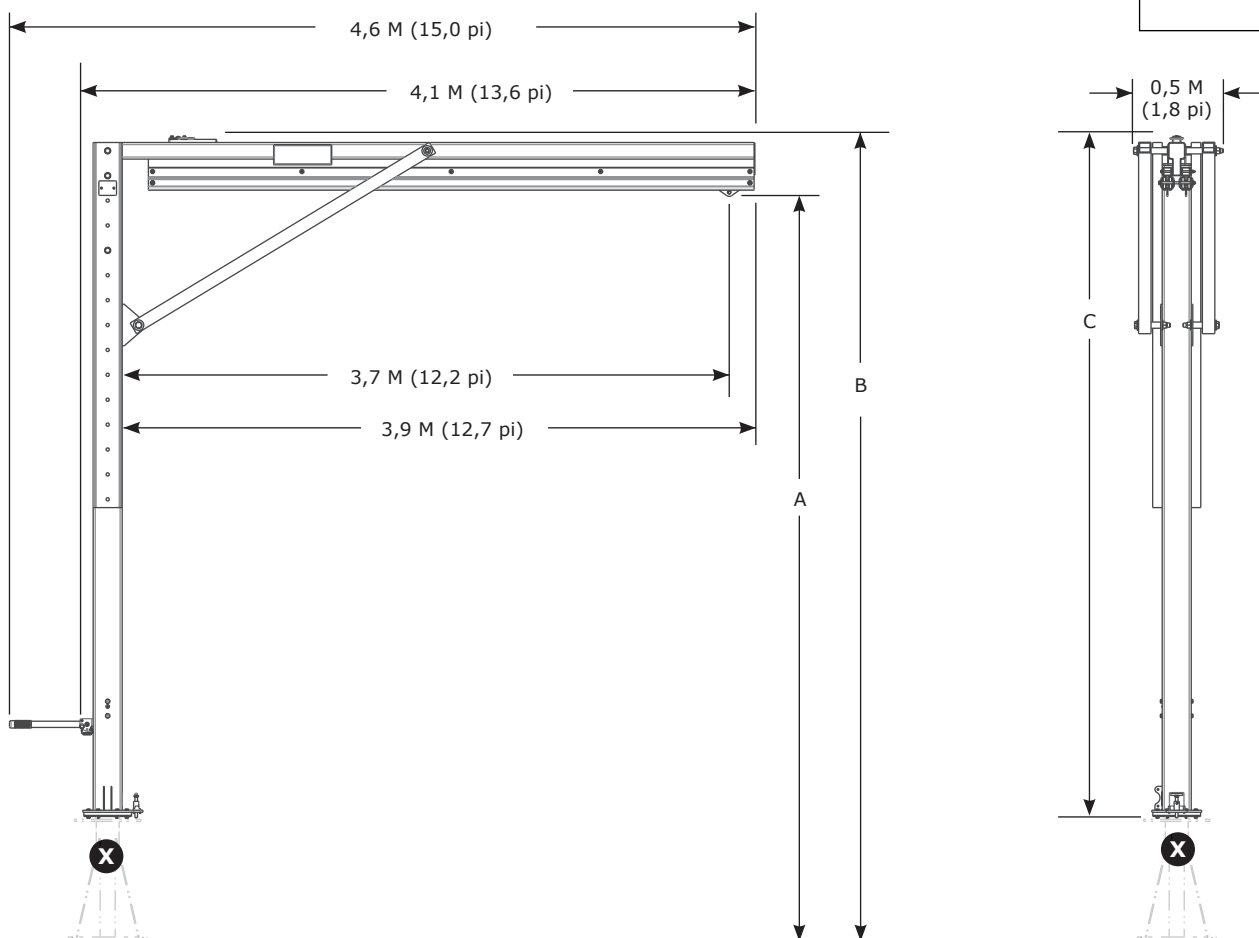
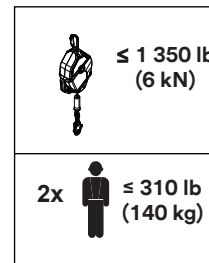
Fall Protection

APPLICATION :

Le bras de flèche modulaire M200 est conçu pour fournir des points de connexion d'ancrage pour un système de protection antichute.

Pour plus d'informations sur l'installation du produit, consultez la notice 3M pour le bras de flèche M200 (5908372).

Normes : CEN/TS 16415:2013 (type E), EN795:2012 (type E), OSHA 1910.140 et OSHA 1926.502.



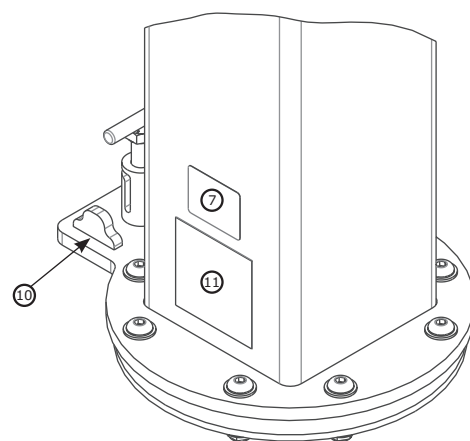
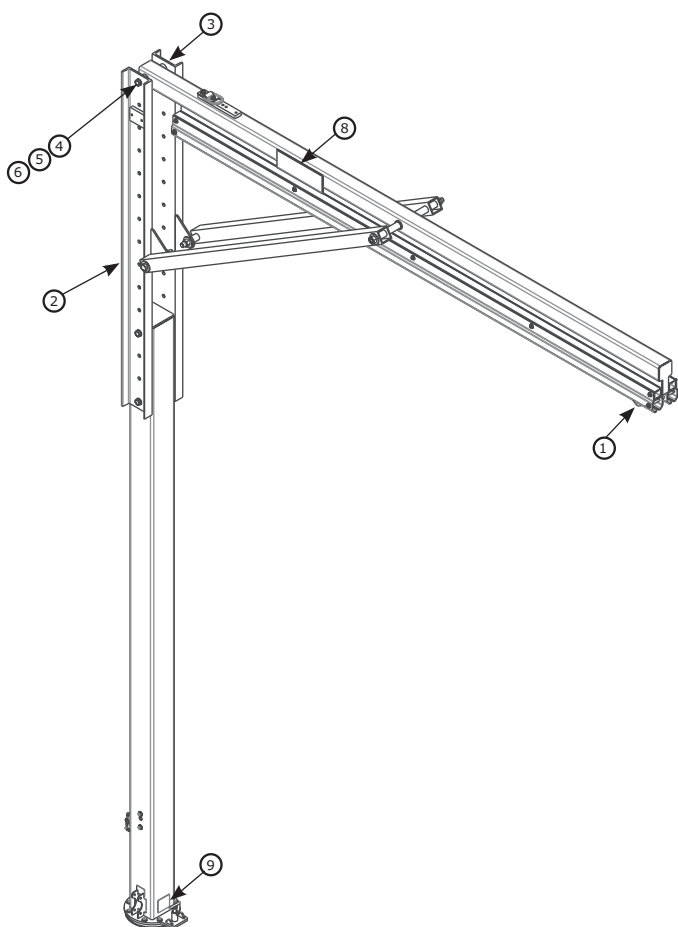
	A	B	C	lb (kg)
8530902	4,6 m à 6,1 m (15,0 pi à 20,0 pi)	4,9 m à 6,4 m (16,1 pi à 21,1 pi)	4,2 m à 5,7 m (13,7 pi à 18,7 pi)	850 lb (386 kg)
8530903	6,1 m à 7,6 m (20,0 pi à 25,0 pi)	6,4 m à 7,9 m (21,1 pi à 26,1 pi)	5,7 m à 7,2 m (18,7 pi à 23,7 pi)	961 lb (436 kg)
8530904	7,6 m à 9,1 m (25,0 pi à 30,0 pi)	7,9 m à 9,6 m (26,1 pi à 31,1 pi)	7,2 m à 8,7 m (23,7 pi à 28,7 pi)	1 073 lb (487 kg)

Composants semi-fixes du bras de flèche modulaire

FICHE TECHNIQUE : 8530902-8530904



Fall Protection



	Numéro de pièce	Description	Matériau	Quantité
①	8521711	Chariot	Acier inoxydable, acier, nylon	1
②	8549933	Canal de montage de sauvetage	Acier	1
③	8550248	Canal	Acier	1
④	8526654	Boulon de 3/4 po x 9 po	Acier	2
⑤	8522275	Rondelle de 3/4 po	Acier	4
⑥	8518276	Écrou de 3/4 po	Acier	2
⑦	9514429	Étiquette d'identification	Polyester	1

	Numéro de pièce	Description	Matériau	Quantité
⑧	9515111	Étiquette 3M	Polyester	2
⑨	9515101	Étiquette de sens de rotation	Polyester	1
⑩	8550125	Butée de rotation	Acier	2
⑪	9515112	Étiquette utilisateur	Polyester	1

Base à contrepoids M200

FICHE TECHNIQUE : 8530886, 8530887



APPLICATION :

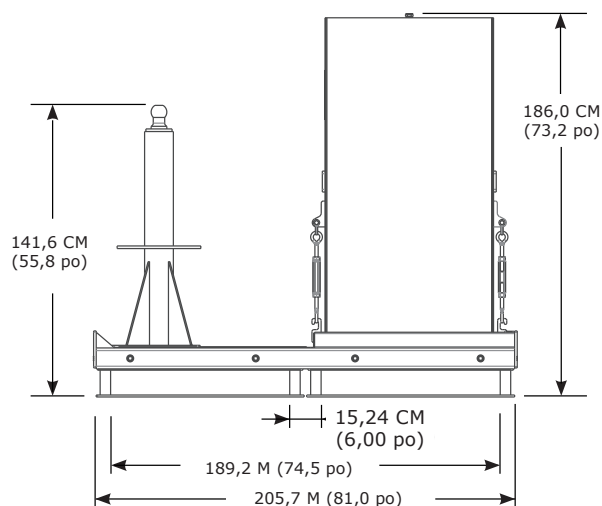
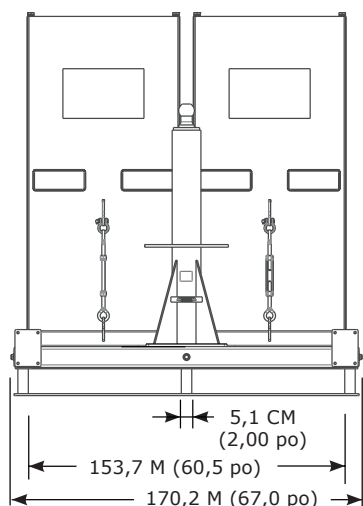
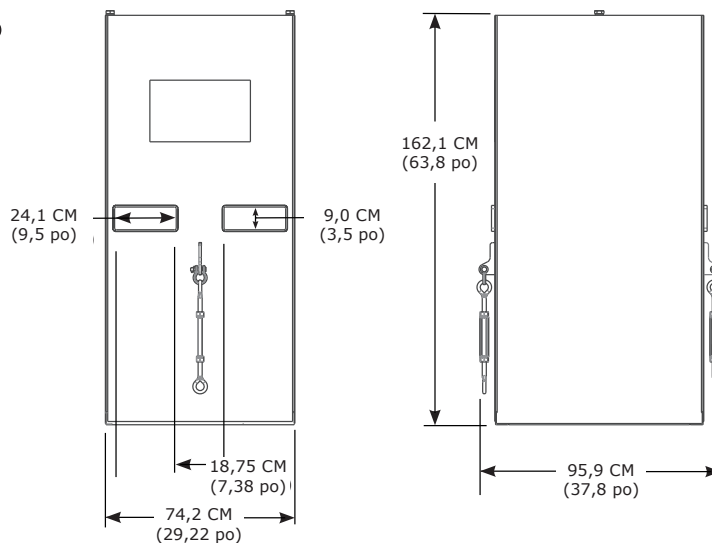
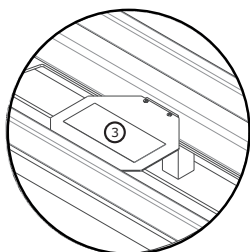
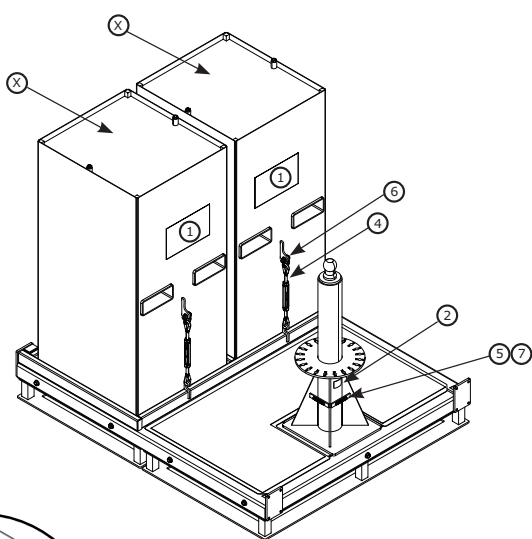
La base à contrepoids est conçue pour être remplie de béton et servir de point de montage pour le système de flèche modulaire M200 DBI-SALA® Flexiguard™ de 3M™.

Pour plus d'informations sur l'installation du produit, consultez la notice 3M pour la base en béton M200 (5908374).

Normes : CEN/TS 16415:2013 (type E), EN795:2012 (type E), OSHA 1910.140 et OSHA 1926.502

	X 4 000 psi (30 MPa)	Exigences pour la structure d'appui	Poids net
8530886		14 645 lb (6 643 kg)	1 092 kg (2 407 lb)
8530887	✓	+ Poids de la flèche M200	5 137 kg (11 325 lb)

Liste des composants				
	Numéro de pièce	Description	Maté- riau	Quantité
①	9515107	Étiquette utilisateur	Polyester	1
②	9514429	Étiquette d'identification	Polyester	1
③	9515106	Étiquette d'avertisse- ment	Polyester	1
④	8520575	Tendeur	Acier	2
⑤	9513627	Vis no 4	Acier	4
⑥	9501794	Manille	Acier	2
⑦	9515058	Niveau à bulle	Plastique	2



Zone de travail de la base à contrepoids M200

FICHE TECHNIQUE : 8530886, 8530887

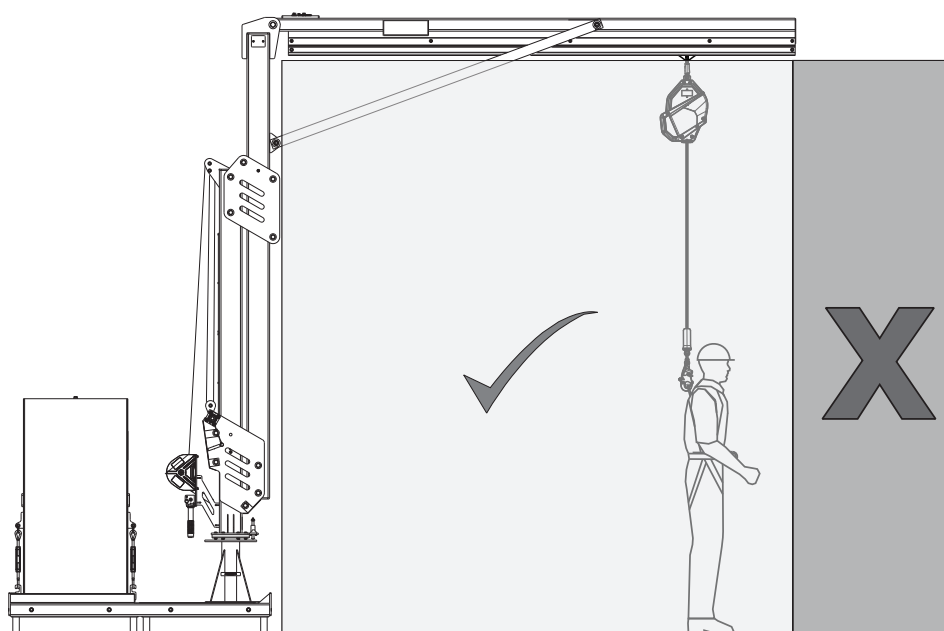
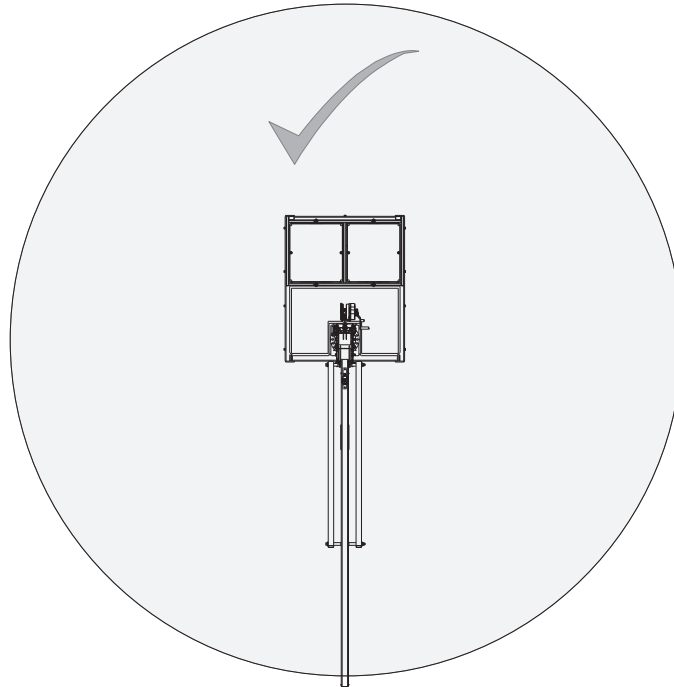
3M

DBI
SALA

Fall Protection

APPLICATION :

Reportez-vous au diagramme ci-dessous pour connaître la zone de travail de la base en béton M200.



Accessoires pour base à contrepoids M200

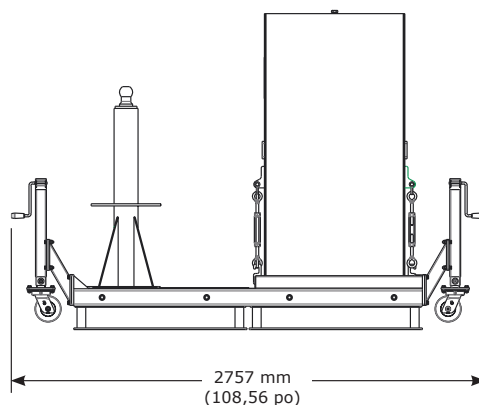
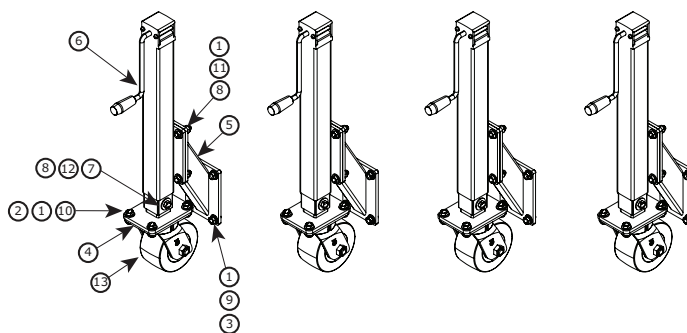
FICHE TECHNIQUE : 8530908, 8530907, 8530777



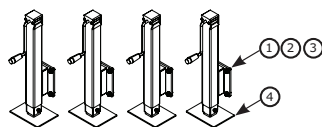
Fall Protection

Poids	
8530908	152 lb (69 kg)

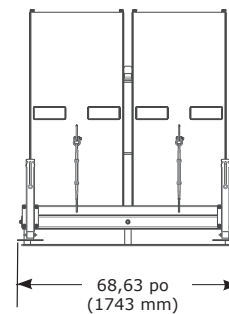
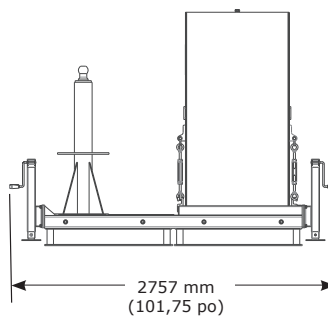
Liste des composants				
	Numéro de pièce	Description	Matériau	Quantité
①	8510037	Rondelle de 1/2 po	Acier	80
②	8512460	Boulon de 1/2 po X 1 1/4 po	Acier	16
③	8518432	Boulon de 1/2 po x 1 po	Acier	16
④	8550153	Roues soudées	Acier	4
⑤	8550155	Soudage en angle	Acier	4
⑥	8550156	Soudage monté	Acier	4
⑦	9501243	Rondelle de 1/2 po	Acier	8
⑧	9501831	Écrou hexagonal de 1/2 po	Acier	20
⑨	9504221	Rondelle de 1/2 po	Acier	16
⑩	9504813	Écrou hexagonal de 1/2 po	Acier	16
⑪	9509276	Boulon de 1/2 po x 1 3/4 po	Acier	16
⑫	9510153	Boulon de 1/2 po x 3 1/4 po	Acier	4
⑬	9515081	Roulette pivotante	Acier, uréthane	4



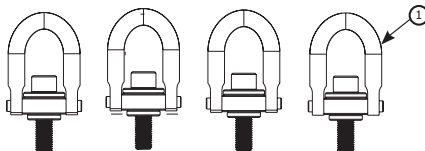
Poids	
8530907	108 lb (49 kg)



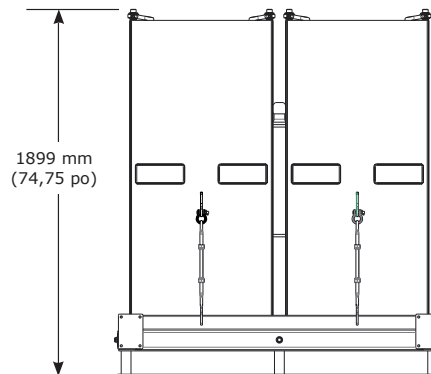
	Numéro de pièce	Description	Matériau	Quantité
①	9504221	Rondelle-frein de 15,9 mm (1/2 po)	Acier	16
②	8510037	Rondelle de 1/2 po	Acier	16
③	8518432	Boulon de 1/2 po x 1 po	Acier	16
④	8550177	Roues soudées	Acier	4



Poids	
8530777	12 lb (5,4 kg)



Liste des composants				
	Numéro de pièce	Description	Matériau	Quantité
①	9512574	Anneau de levage	Acier	4



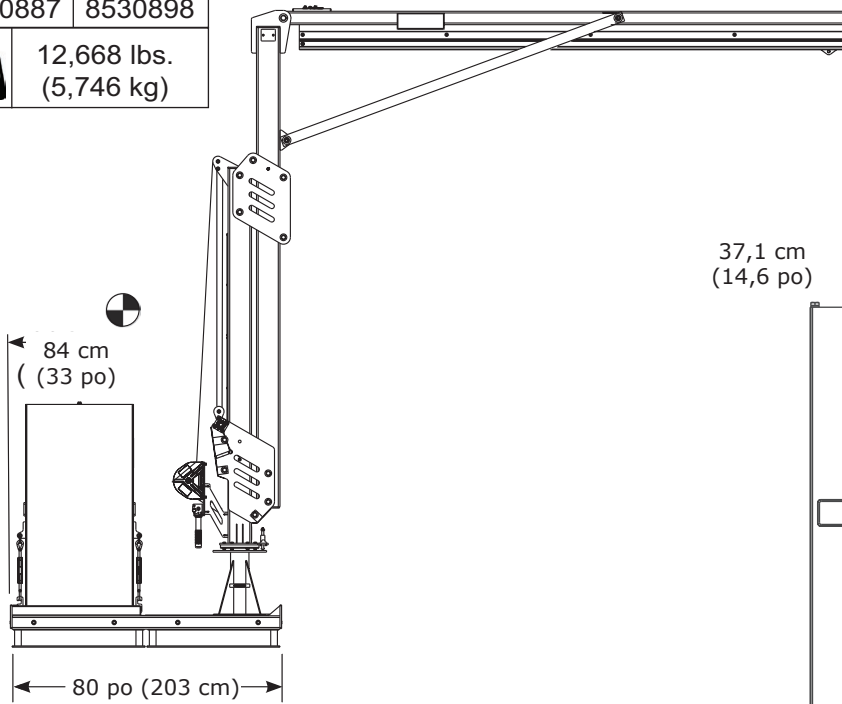
**Centre de gravité de la base à
contrepoids M200**
FICHE TECHNIQUE : 8530886, 8530887



Fall Protection

8530887 8530898

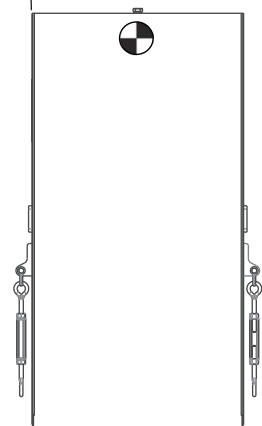
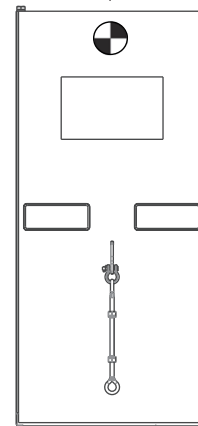
lb (kg)
12,668 lbs.
(5,746 kg)



lb (kg)
5,000 lbs.
(2,268 kg)

37,1 cm
(14,6 po)

42,2 cm
(16,63 po)

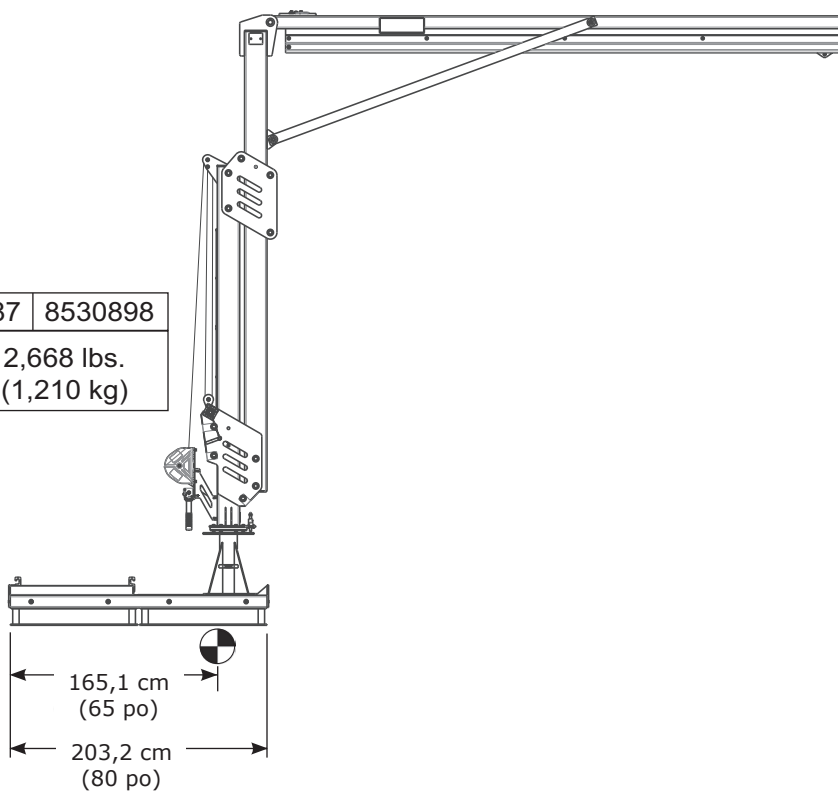


81,8 cm
(32,22 po)

74,2 cm
(29,20 po)

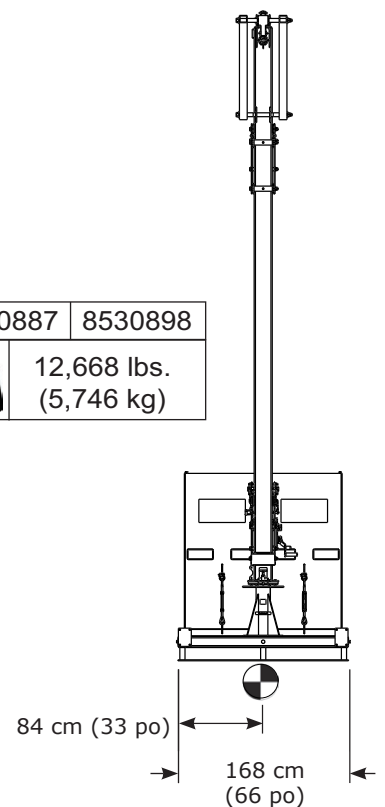
8530887 8530898

lb (kg)
2,668 lbs.
(1,210 kg)



8530887 8530898

lb (kg)
12,668 lbs.
(5,746 kg)



84 cm (33 po)

168 cm
(66 po)

Base de montage au sol M200

FICHE TECHNIQUE : 8530888



Fall Protection

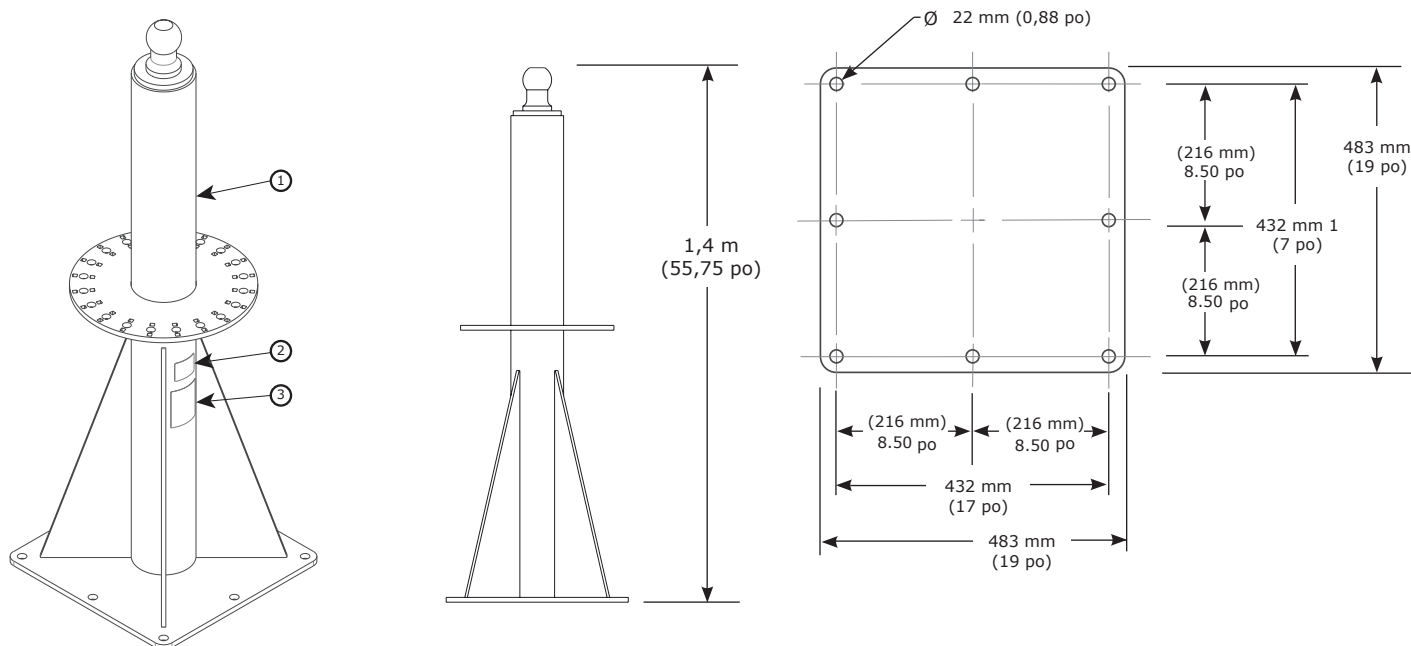
APPLICATION :

La base de montage au sol est conçue pour être ancrée à des structures agréées et servir de point de montage pour le système de flèche modulaire M200 agréé 3M.

Pour plus d'informations sur l'installation du produit, consultez la notice 3M pour la base de montage au sol M200 (5908375).

Normes : CEN/TS 16415:2013 (type A), EN795:2012 (type A), OSHA 1910.140, OSHA 1926.502

	Poids net
8530888	120 kg (265 lb)



Liste des composants				
	Numéro de pièce	Description	Matériau	Quantité
①	8549921	Soudage de la base	Acier	1
②	9514429	Étiquette d'identification	Polyester	1
③	9515114	Étiquette utilisateur	Polyester	1

Exigences de montage		
Force minimale de traction des fixations	Charge de moment minimale de la structure de montage	Charge verticale minimale de la structure de montage
4 257 kg (9 386 lb)	501 633 po-lb (56 677 N-m)	1 506 kg (3 320 lb) + Poids de base + Poids de la flèche M200

Base encastrable M200

FICHE TECHNIQUE : 8530889, 8530920, 8530921



Fall Protection

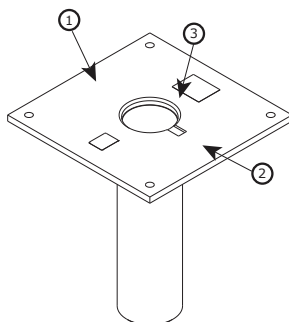
APPLICATION :

La base encastrable est conçue pour être ancrée à des structures agréées et servir de point de montage pour le système de flèche modulaire M200 agréé 3M.

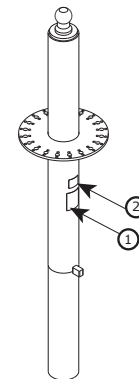
Pour plus d'informations sur l'installation du produit, consultez la notice 3M pour la base encastrable M200 (5908375).

Normes : CEN/TS 16415:2013, EN795:2012 (type A), OSHA 1910.140, OSHA 1926.502

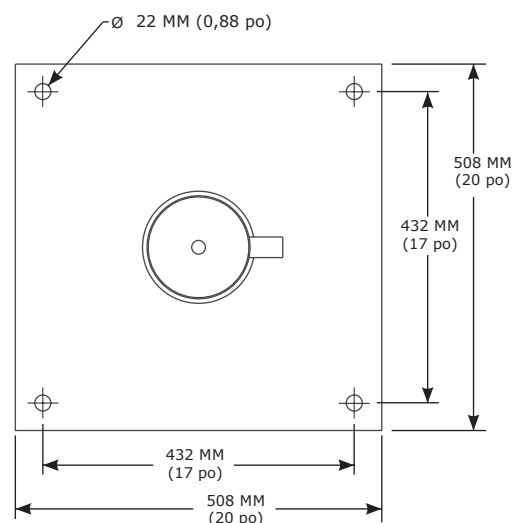
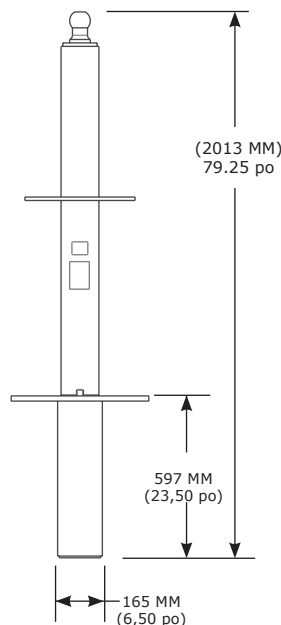
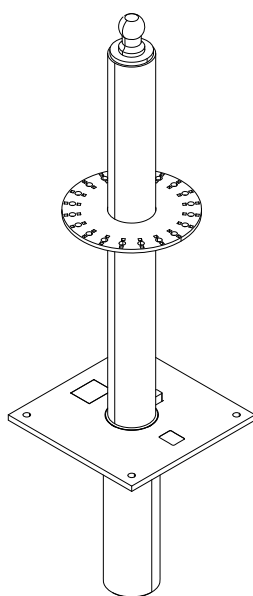
	Poids net
8530920	64 kg 140 lb



	Poids net
8530921	107 kg 237 lb



	Poids net
8530889	171 kg (377 lb)



Liste des composants				
	Numéro de pièce	Description	Matériau	Quantité
①	9515114	Étiquette utilisateur	Polyester	1
②	9514429	Étiquette d'identification	Polyester	1
③	8550165	Embout de base	Caoutchouc d'aluminium	1

Exigences de montage	
Charge de moment minimale de la structure de montage	Charge verticale minimale de la structure de montage
501 633 po-lb (56 677 N-m)	3 320 kg (1 506 lb) + Poids de base + Poids de la flèche M200

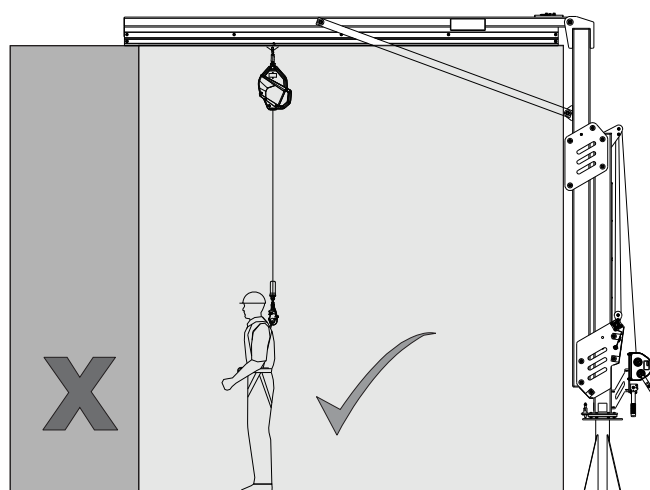
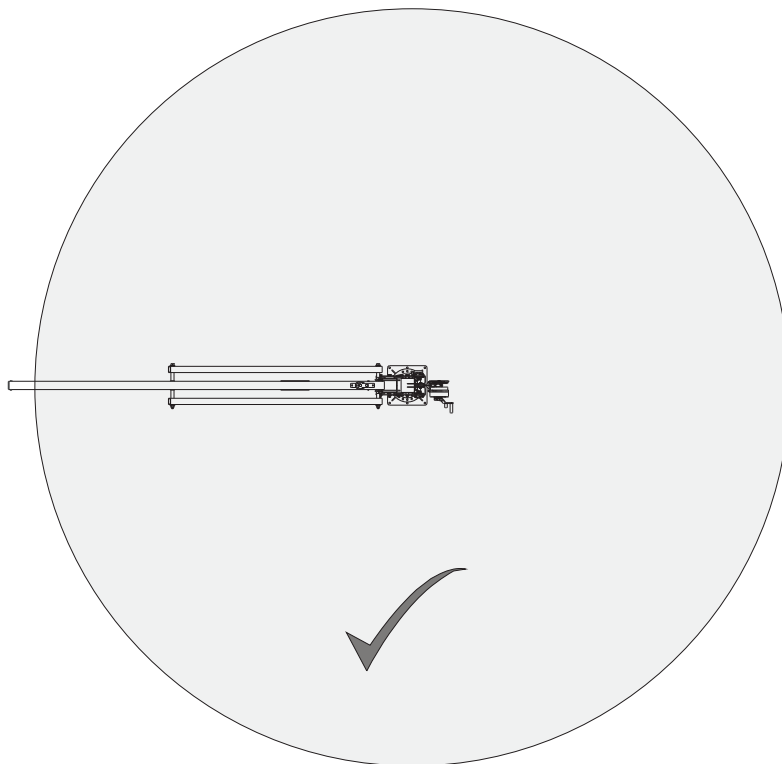
Zone de travail des bases de montage au sol M200
FICHE TECHNIQUE : 8530888, 8530889



Fall Protection

APPLICATION :

Reportez-vous au diagramme ci-dessous pour connaître la zone de travail des bases de montage au sol.



Kit de fourreaux de fourche M200

FICHE TECHNIQUE : 8530912

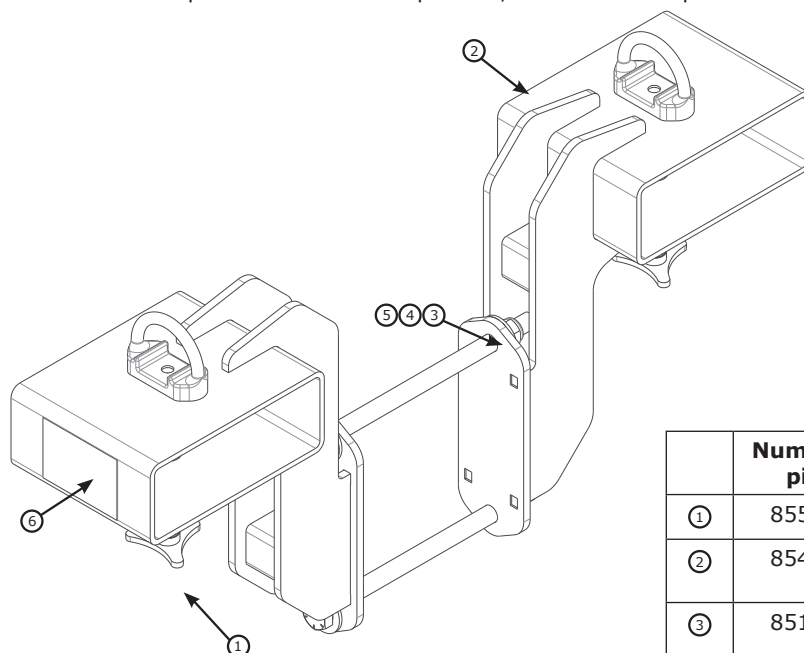


Fall Protection

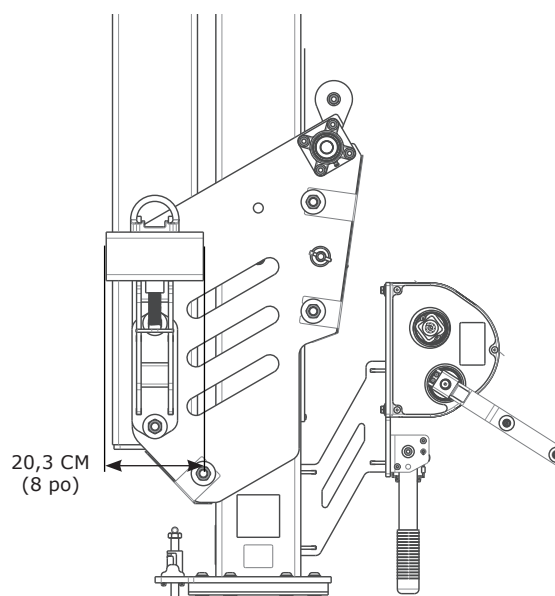
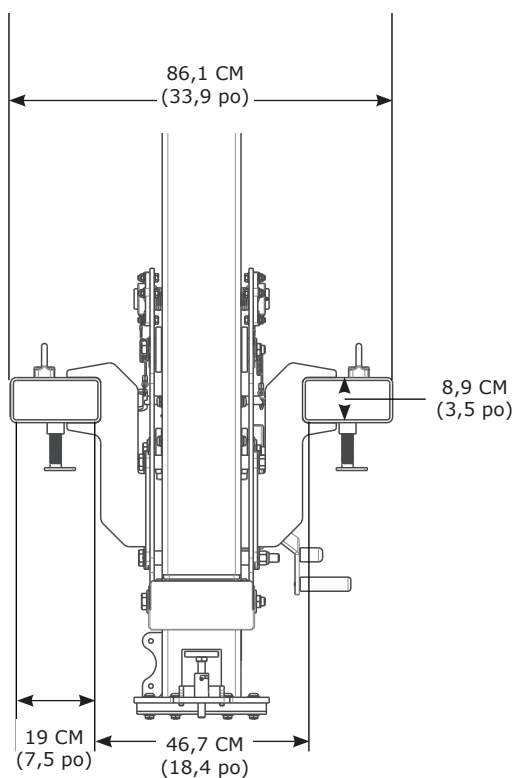
APPLICATION :

Le kit de fourreaux de fourche M200 est conçu pour transporter la flèche réglable.

Pour connaître les spécifications des composants, veuillez vous reporter aux fiches indiquées.

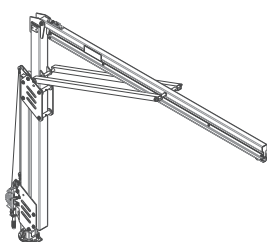
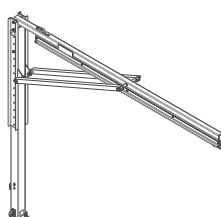
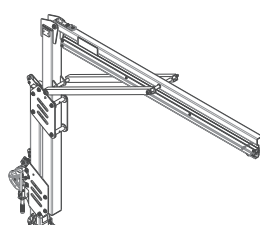
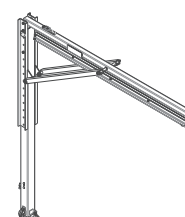
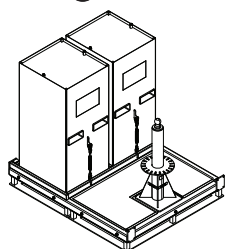
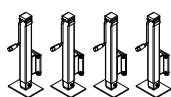
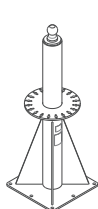
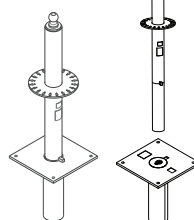
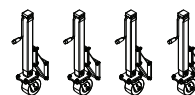
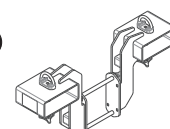


	Numéro de pièce	Description	Quantité
①	8550127	Molette de vissage	2
②	8549905	Ensemble soudé fourreaux de fourche	2
③	8518276	Écrou hexagonal de 3/4 po	2
④	9512004	Boulon de 3/4 po X 12 po	2
⑤	M970033018	Rondelle de 3/4 po	4
⑥	9515122	Étiquette utilisateur	1
	9500146	Maillon de chaîne	2
	8517096	Chaîne	10 pi



3M**DBI
SALA®**Protezione
anticaduta**CE****OSHA****Flexiguard™ 3M™ DBI-SALA®
Sistemi di braccio modulare
M200****Scheda tecnica
5908526 Rev. C**

Mes- saggio	Scheda tecnica	Descrizione	Pagina
A	8530891	12,3 piedi - 15 piedi (3,8 m-4,6 m) Braccio a estensione regolabile	105
	8530892	14,8 piedi - 20 piedi (4,5 m - 6,1 m) Braccio a estensione regolabile	105
	8530893	17,3 piedi - 25 piedi (5,3 m - 7,6 m) Braccio a estensione regolabile	105
	8530894	19,8 piedi - 30 piedi (6,1 m - 9,1 m) Braccio a estensione regolabile	105
B	8530899	15 piedi - 20 piedi (4,6 m - 6,1 m) Braccio a estensione semifisso	105
	8530900	20 piedi - 25 piedi (6,1 m-7,6 m) Braccio a estensione semifisso	107
	8530901	25 piedi - 30 piedi (7,6 m-9,1 m) Braccio a estensione semifisso	107
C	8530895	12,3 piedi - 15 piedi (3,8 m-4,6 m) Braccio a estensione regolabile	109
	8530896	14,8 piedi - 20 piedi (4,5 m - 6,1 m) Braccio a estensione regolabile	109
	8530897	17,3 piedi - 25 piedi (5,3 m - 7,6 m) Braccio a estensione regolabile	109
	8530898	19,8 piedi - 30 piedi (6,1 m - 9,1 m) Braccio a estensione regolabile	109
D	8530902	15 piedi - 20 piedi (4,6 m - 6,1 m) Braccio a estensione semifisso	111
	8530903	20 piedi - 25 piedi (6,1 m-7,6 m) Braccio a estensione semifisso	111
	8530904	25 piedi-30 piedi (7,6 m-9,1 m) Braccio a estensione semifisso	111
E	8530886	Base di contrappeso non riempita	113
	8530887	Base di contrappeso riempita	113
F	8530907	Martinetti della base di contrappeso	115
G	8530777	Anelli di sollevamento della base di contrappeso	115
H	8530888	Base con montaggio a pavimento	117
I	8530889, 8530920, 8530921	Base con montaggio a filo	118
J	8530908	Ruote della base di contrappeso	115
K	8530912	Kit vano di rinforco	120

A**B****C****D****E****F****H****I****J****G****K**

Braccio a estensione modulare regolabile

SCHEDA TECNICA: 8530891-8530894



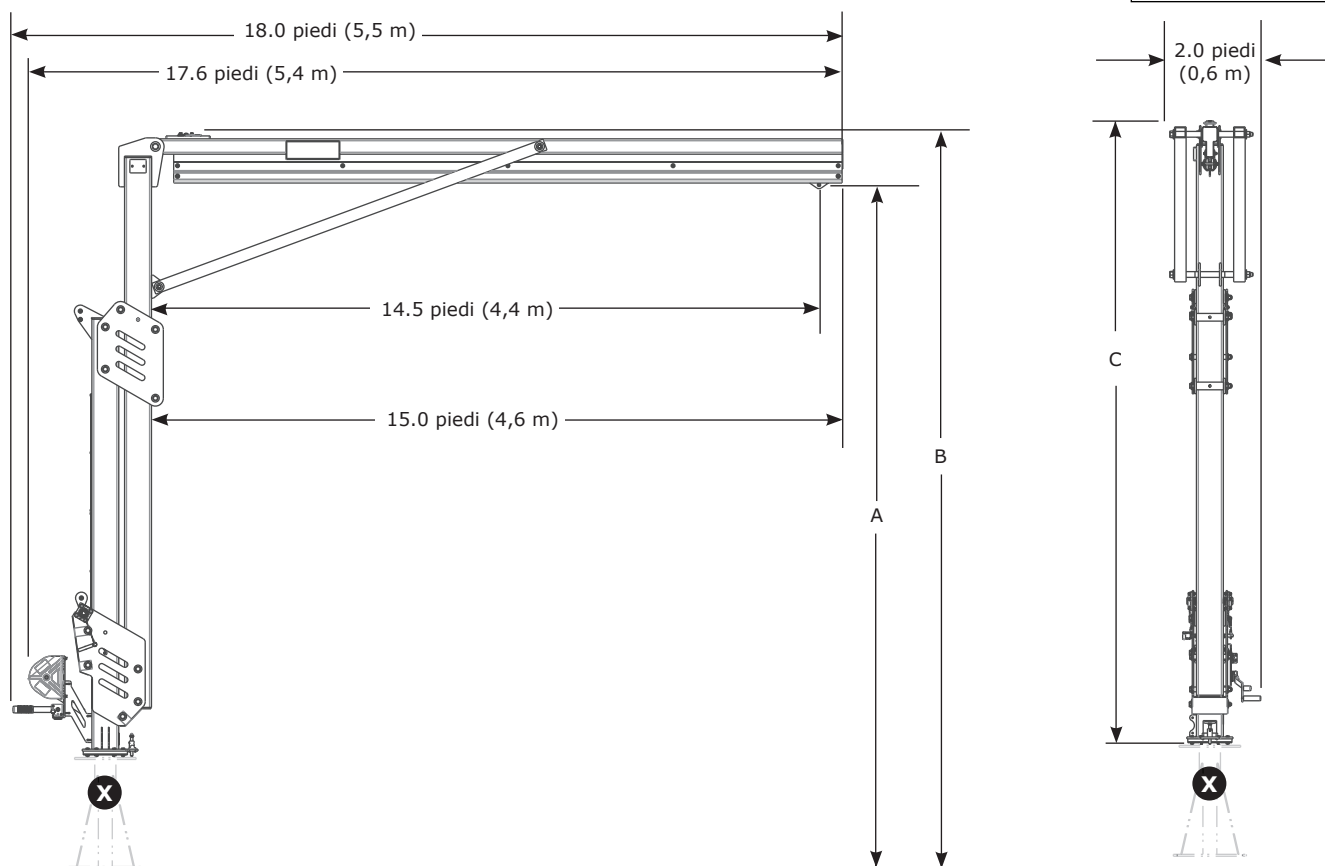
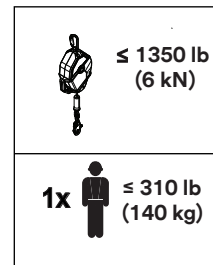
Fall Protection

APPLICAZIONE:

Il braccio a estensione modulare regolabile M200 è progettato per fornire punti di collegamento all'ancoraggio per un sistema di protezione anticaduta.

Per ulteriori informazioni sull'installazione del prodotto, consulta il manuale di istruzioni per Braccio a estensione modulare regolabile M200 (5908372) di 3M.

Standard: EN795:2012 Tipo E, OSHA 1910.140, OSHA 1926.502



	A	B	C	lb (kg)
8530891	12,3 piedi - 15,0 piedi (3,8 m - 4,6 m)	13,4 piedi - 16,1 piedi (4,1 m - 4,9 m)	9,8 piedi - 14,8 piedi (3,0 m - 4,5 piedi)	945 lb (429 kg)
8530892	14,8 piedi - 20,0 piedi (4,5 m - 6,1 m)	15,9 piedi - 21,1 piedi (4,8 m - 6,4 m)	13,5 piedi - 18,7 piedi (4,1 m - 5,7 m)	1.057 lb (479 kg)
8530893	17,3 piedi - 25,0 piedi (5,3 m - 7,6 m)	18,4 piedi. - 26,1 piedi (5,6 m - 8,0 m)	16,0 - 23,7 piedi (4,9 m - 7,2 m)	1.169 lb (530 kg)
8530894	19,8 piedi. - 30,0 piedi (6,0 m - 9,1 m)	20,9 piedi - 31,1 piedi (6,4 m - 9,5 m)	18,5 piedi - 28,7 piedi (5,6 m - 8,7 m)	1.281 lb (581 kg)

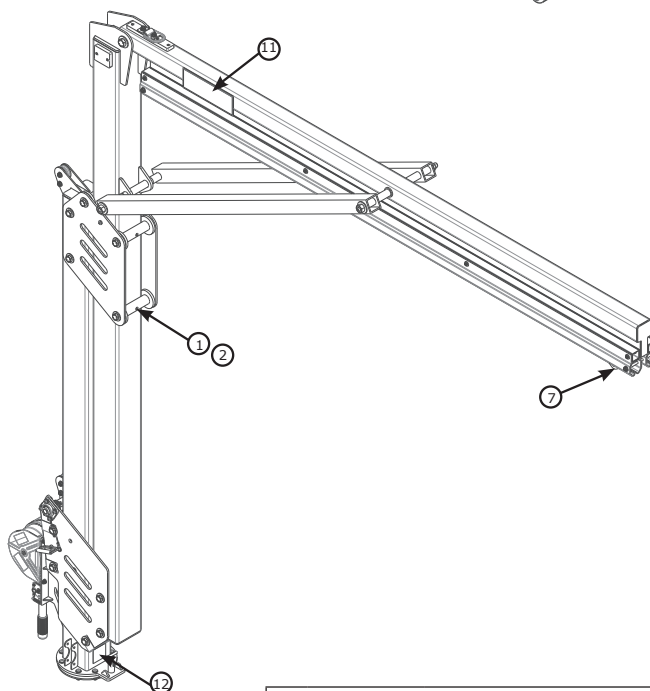
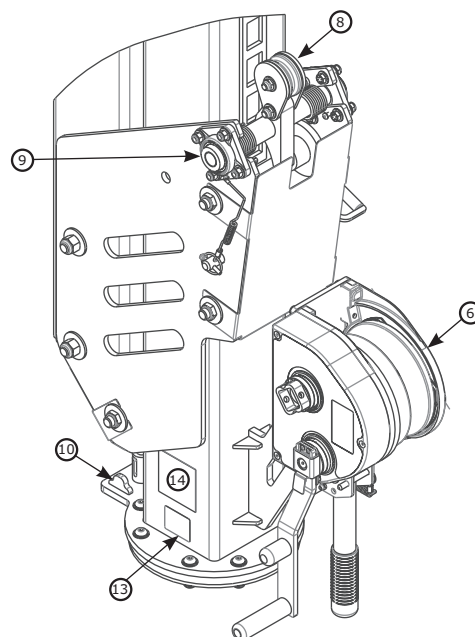
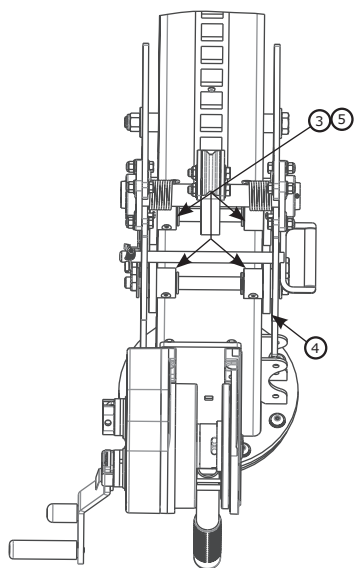
Componenti del braccio a estensione modulare regolabile

SCHEDA TECNICA: 8530891-8530894

3M

DBI
SALA

Fall Protection



Elenco dei componenti				
	Codice parte	Descrizione	Materiale	Quantità
①	8550046	Rullo ampio	Nylon	4
②	8550047	Spaziatore a rulli larghi	Acciaio inox 304	4
③	8550327	Rullo stretto	Nylon	4
④	9514703	Rullo laterale	Nylon	12
⑤	8550213	Spaziatore a rulli stretti	Acciaio inox 304	4
⑥	8549930	Verricello	Acciaio	1
⑦	8521711	Carrello	Acciaio, nylon	1

Elenco dei componenti				
	Codice parte	Descrizione	Materiale	Quantità
⑧	8550223	Meccanismo di bloccaggio (solo riparazione autorizzata)	Acciaio, nylon	1
⑨	9515138	Cuscinetti	Acciaio	2
⑩	8550125	Dispositivo di bloccaggio	Acciaio	2
⑪	9515111	Etichetta 3M	Poliestere	2
⑫	9515101	Etichetta dispositivo di bloccaggio	Poliestere	1
⑬	9514429	Etichetta identificativa	Poliestere	1
⑭	9515112	Etichetta utente	Poliestere	1

Braccio a estensione modulare semifisso

SCHEDA TECNICA: 8530899-8530901



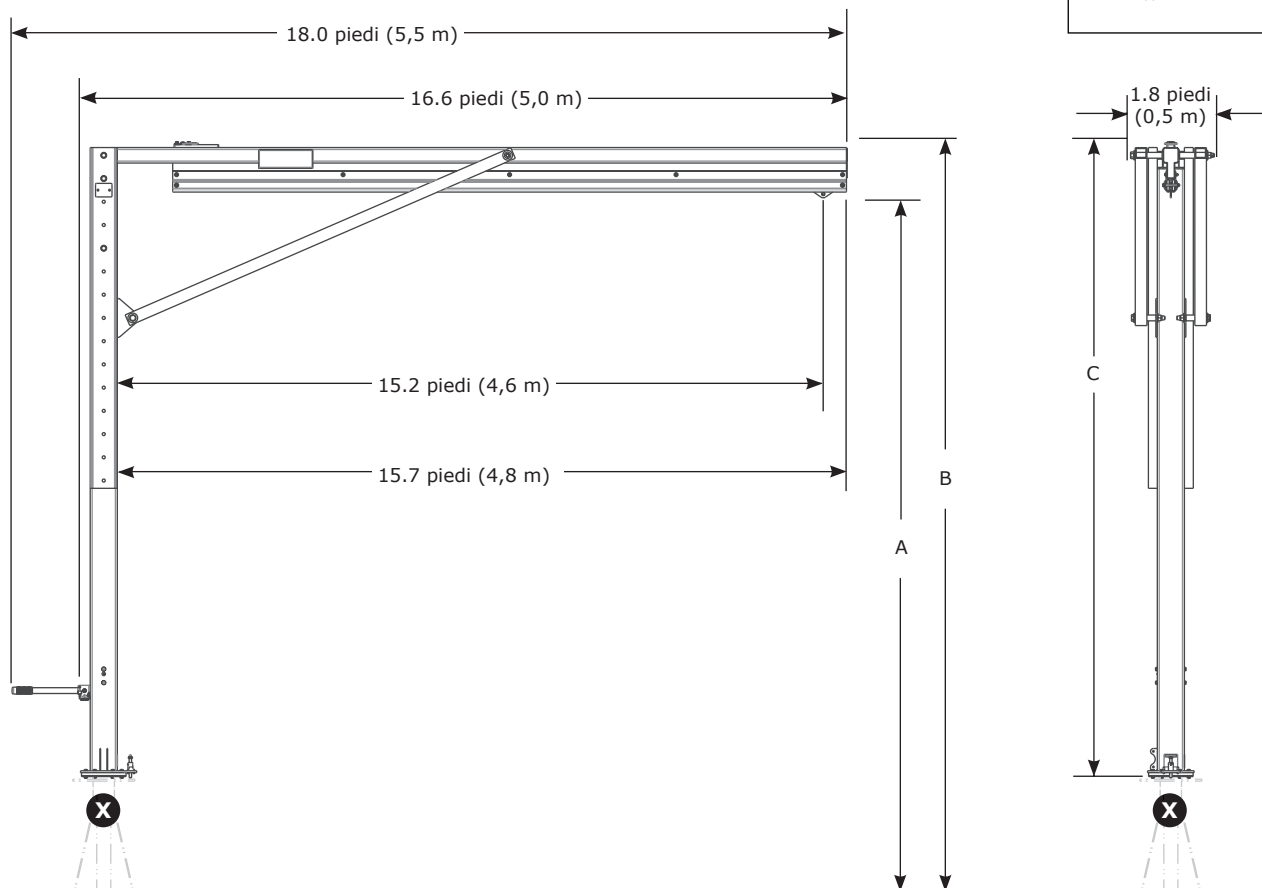
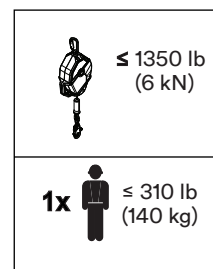
Fall Protection

APPLICAZIONE:

Il braccio a estensione modulare regolabile M200 è progettato per fornire punti di collegamento all'ancoraggio per un sistema di protezione anticaduta.

Per ulteriori informazioni sull'installazione del prodotto, consulta il manuale di istruzioni per Braccio a estensione modulare regolabile M200 (5908372) di 3M.

Standard: EN795:2012 Tipo E, OSHA 1910.140, OSHA 1926.502.



	A	B	C	lb (kg)
8530899	15,0 piedi - 20,0 piedi (4,6 m - 6,1 m)	16,1 piedi - 21,1 piedi (4,9 m - 6,4 m)	13,7 piedi - 18,7 piedi (4,2 m - 5,7 m)	818 lb (371 kg)
8530900	20,0 piedi - 25,0 piedi (6,1 m - 7,6 m)	21,1 piedi - 26,1 piedi (6,4 m - 7,9 m)	18,7 piedi - 23,7 piedi (5,7 m - 7,2 m)	930 lb (422 kg)
8530901	25,0 piedi - 30,0 piedi (7,6 m - 9,1 m)	26,1 piedi - 31,1 piedi (7,9 m - 9,6 m)	23,7 piedi - 28,7 piedi (7,2 m - 8,7 m)	1.041 lb (472 kg)
+6" (152 mm) Regolazioni graduali				

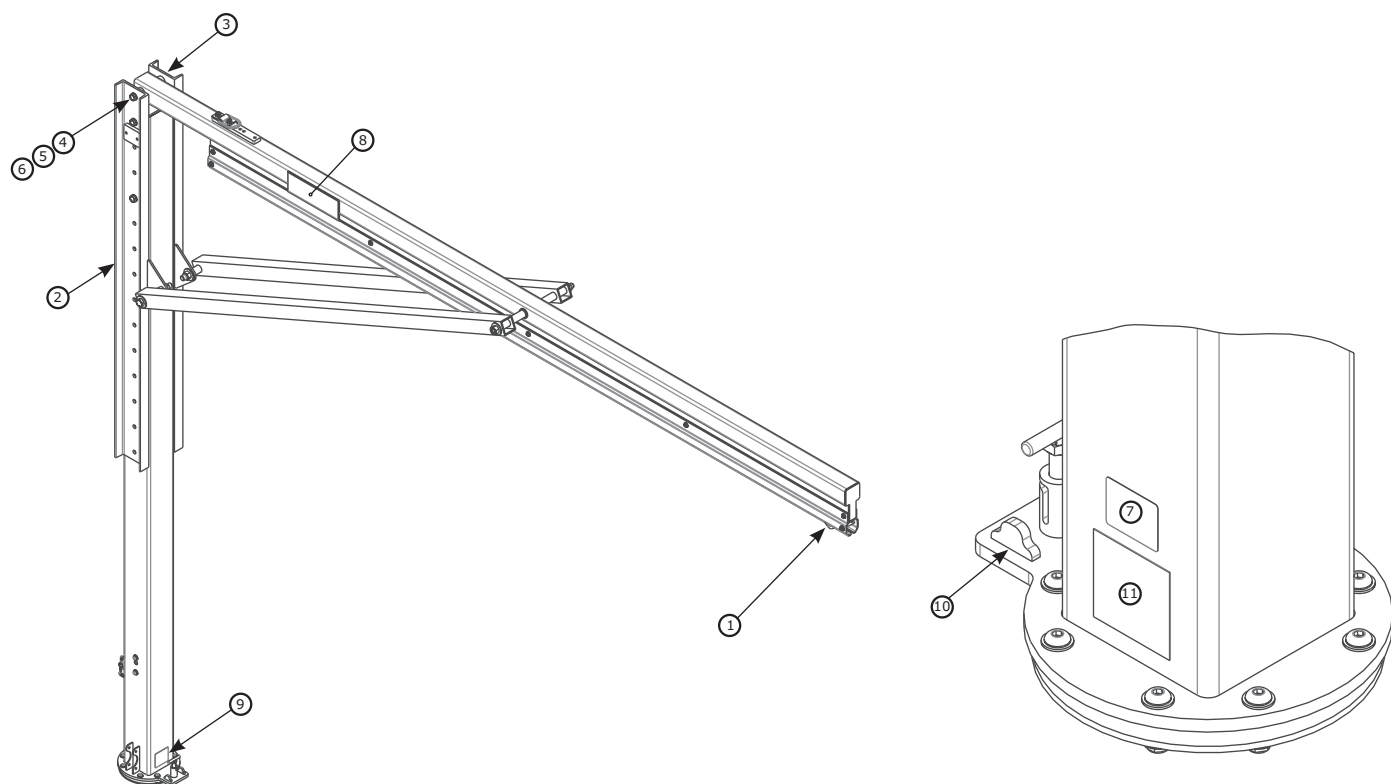
Componenti del braccio a estensione semifisso

SCHEDA TECNICA: 8530899-8530901

3M

DBI
SALA

Fall Protection



	Codice parte	Descrizione	Materiale	Quantità
①	8521711	Carrello	Acciaio inossidabile, acciaio, nylon	1
②	8549933	Montaggio canale di soccorso	Acciaio	1
③	8550248	Canale	Acciaio	1
④	8526654	Bullone 3/4" x 9"	Acciaio	2
⑤	8522275	Rondella da 3/4"	Acciaio	4
⑥	8518276	Dado da 3/4"	Acciaio	2
⑦	9514429	Etichetta identificativa	Poliestere	1

	Codice parte	Descrizione	Materiale	Quantità
⑧	9515111	Etichetta 3M	Poliestere	2
⑨	9515101	Etichetta dispositivo di bloccaggio	Poliestere	1
⑩	8550125	Dispositivo di bloccaggio	Acciaio	2
⑪	9515112	Etichetta utente	Poliestere	1

Braccio a estensione modulare regolabile

SCHEDA TECNICA: 8530895-8530898



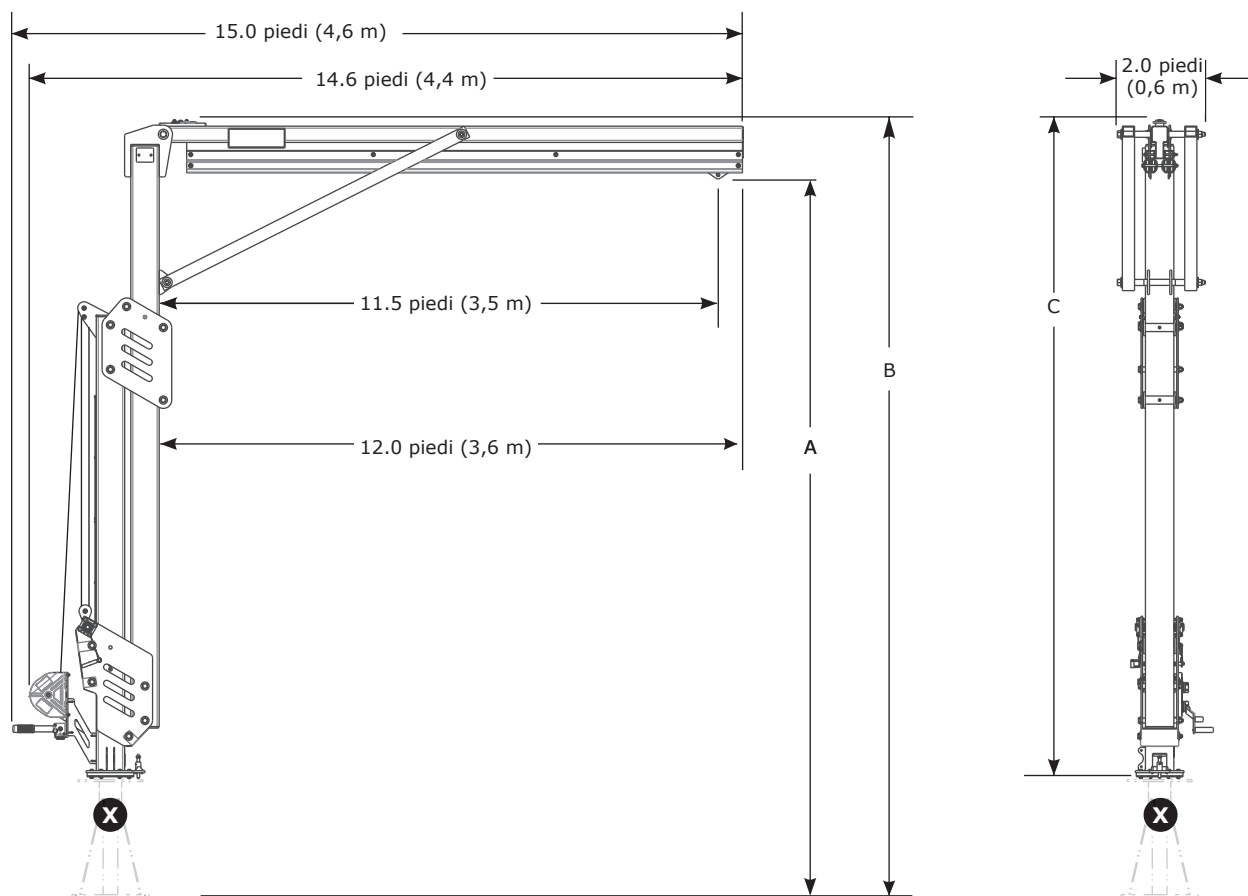
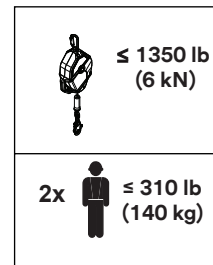
Fall Protection

APPLICAZIONE:

Il braccio a estensione modulare regolabile M200 è progettato per fornire punti di collegamento all'ancoraggio per un sistema di protezione anticaduta.

Per ulteriori informazioni sull'installazione del prodotto, consulta il manuale di istruzioni per Braccio a estensione modulare regolabile M200 (5908372) di 3M.

Standard: CEN/TS 16415: 2013 Tipo E, EN795:2012 Tipo E, OSHA 1910.140, OSHA 1926.502



	A	B	C	lb (kg)
8530895	12,3 piedi - 15,0 piedi (3,8 m - 4,6 m)	13,4 piedi - 16,1 piedi (4,1 m - 4,9 m)	11,0 piedi - 13,7 piedi (3,4 m - 4,2 piedi)	1.011 lb (459 kg)
8530896	14,8 piedi - 20,0 piedi (4,5 m - 6,1 m)	15,9 piedi - 21,1 piedi (4,8 m - 6,4 m)	13,5 piedi - 18,7 piedi (4,1 m - 5,7 m)	1.123 lb (509 kg)
8530897	17,3 piedi - 25,0 piedi (5,3 m - 7,6 m)	18,4 piedi. - 26,1 piedi (5,6 m - 8,0 m)	16,0 - 23,7 piedi (4,9 m - 7,2 m)	1.235 lb (560 kg)
8530898	19,8 piedi. - 30,0 piedi (6,0 m - 9,1 m)	20,9 piedi - 31,1 piedi (6,4 m - 9,5 m)	18,5 piedi - 28,7 piedi (5,6 m - 8,7 m)	1.343 lb (609 kg)

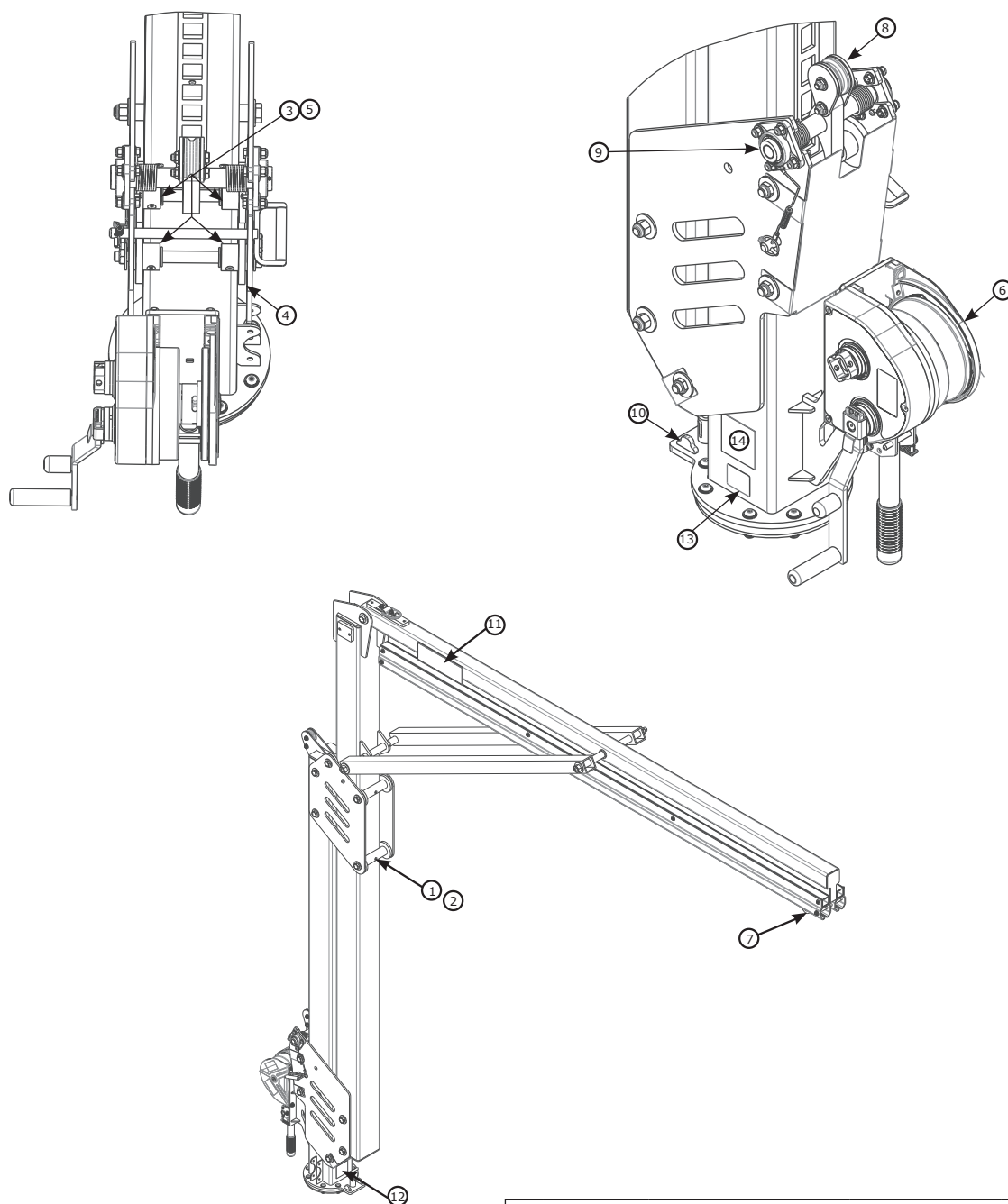
Componenti del braccio a estensione modulare regolabile

SCHEDA TECNICA: 8530895-8530898

3M

DBI
SALA

Fall Protection



Elenco dei componenti				
	Codice parte	Descrizione	Materiale	Quantità
①	8550046	Rullo ampio	Nylon	4
②	8550047	Rullo ampio Distanziatore	Acciaio inox 304	4
③	8550327	Rullo stretto	Nylon	4
④	9514703	Rullo laterale	Nylon	12
⑤	8550213	Spaziatore a rulli stretti	Acciaio inox 304	4
⑥	8549930	Verricello	Acciaio	1
⑦	8521711	Carrello	Acciaio, nylon	1

Elenco dei componenti				
	Codice parte	Descrizione	Materiale	Quantità
⑧	8550223	Meccanismo di bloccaggio (solo riparazione autorizzata)	Acciaio, nylon	1
⑨	9515138	Cuscinetti	Acciaio	2
⑩	8550125	Dispositivo di bloccaggio	Acciaio	2
⑪	9515111	Etichetta 3M	Poliestere	2
⑫	9515101	Etichetta dispositivo di bloccaggio	Poliestere	1
⑬	9514429	Etichetta identificativa	Poliestere	1
⑭	9515112	Etichetta utente	Poliestere	1

Braccio a estensione modulare semifisso

SCHEDA TECNICA: 8530902-8530904



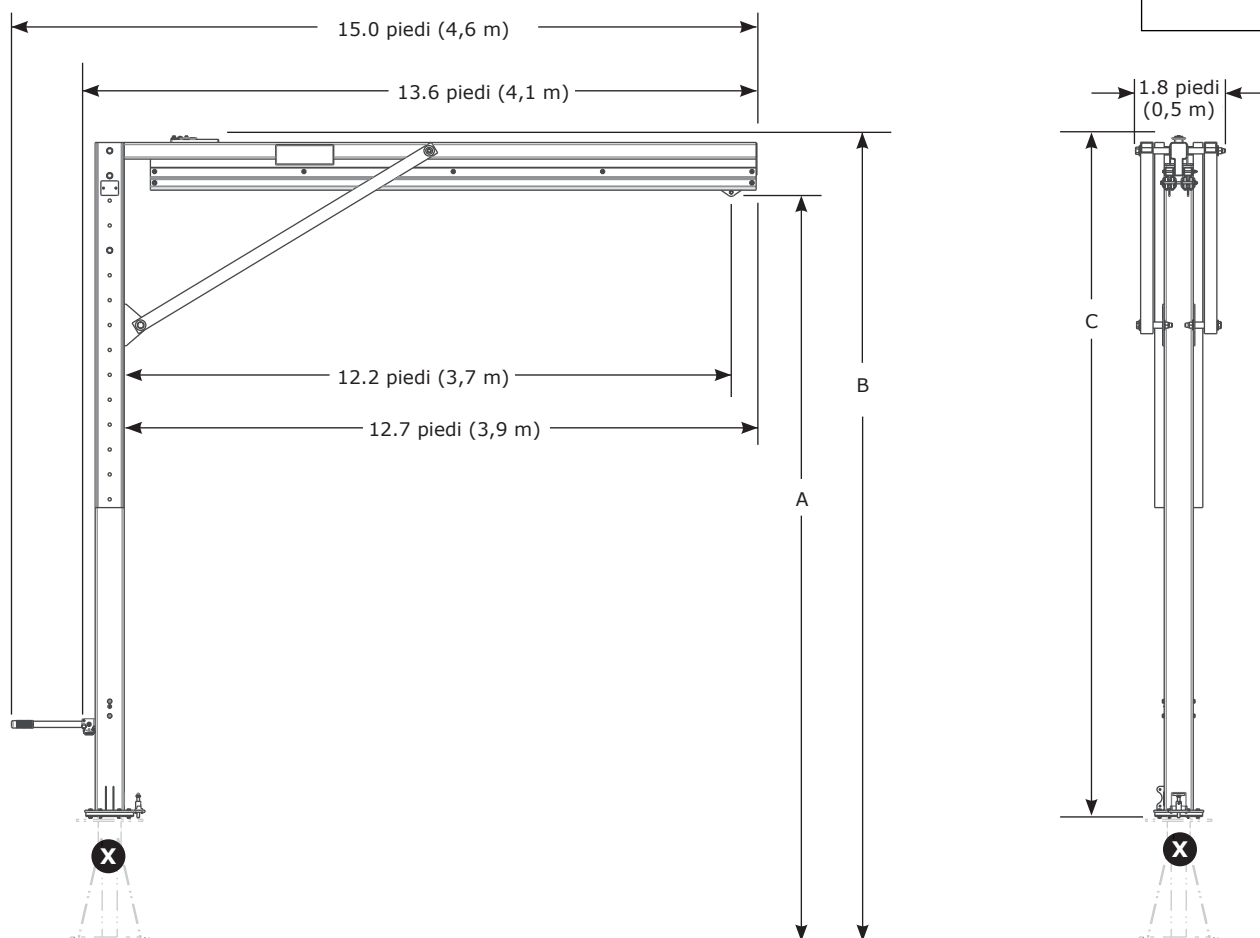
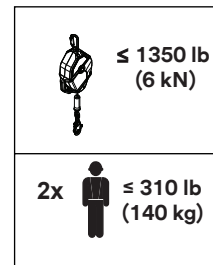
Fall Protection

APPLICAZIONE:

Il braccio a estensione modulare regolabile M200 è progettato per fornire punti di collegamento all'ancoraggio per un sistema di protezione anticaduta.

Per ulteriori informazioni sull'installazione del prodotto, consulta il manuale di istruzioni per Braccio a estensione modulare regolabile M200 (5908372) di 3M.

Standard: CEN/TS 16415: 2013 Tipo E, EN795:2012 Tipo E, OSHA 1910.140, OSHA 1926.502



	A	B	C	lb (kg)
8530902	15,0 piedi - 20,0 piedi (4,6 m - 6,1 m)	16,1 piedi - 21,1 piedi (4,9 m - 6,4 m)	13,7 piedi - 18,7 piedi (4,2 m - 5,7 m)	850 lb (386 kg)
8530903	20,0 piedi - 25,0 piedi (6,1 m - 7,6 m)	21,1 piedi - 26,1 piedi (6,4 m - 7,9 m)	18,7 piedi - 23,7 piedi (5,7 m - 7,2 m)	961 lb (436 kg)
8530904	25,0 piedi - 30,0 piedi (7,6 m - 9,1 m)	26,1 piedi - 31,1 piedi (7,9 m - 9,6 m)	23,7 piedi - 28,7 piedi (7,2 m - 8,7 m)	1.073 lb (487 kg)

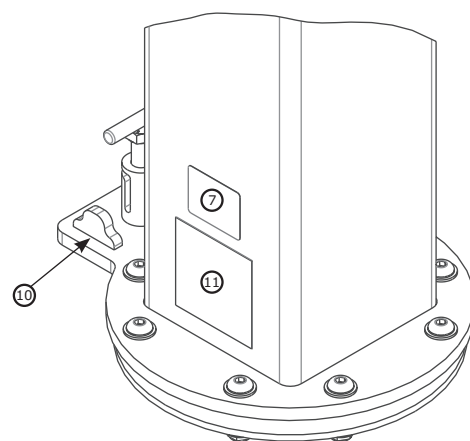
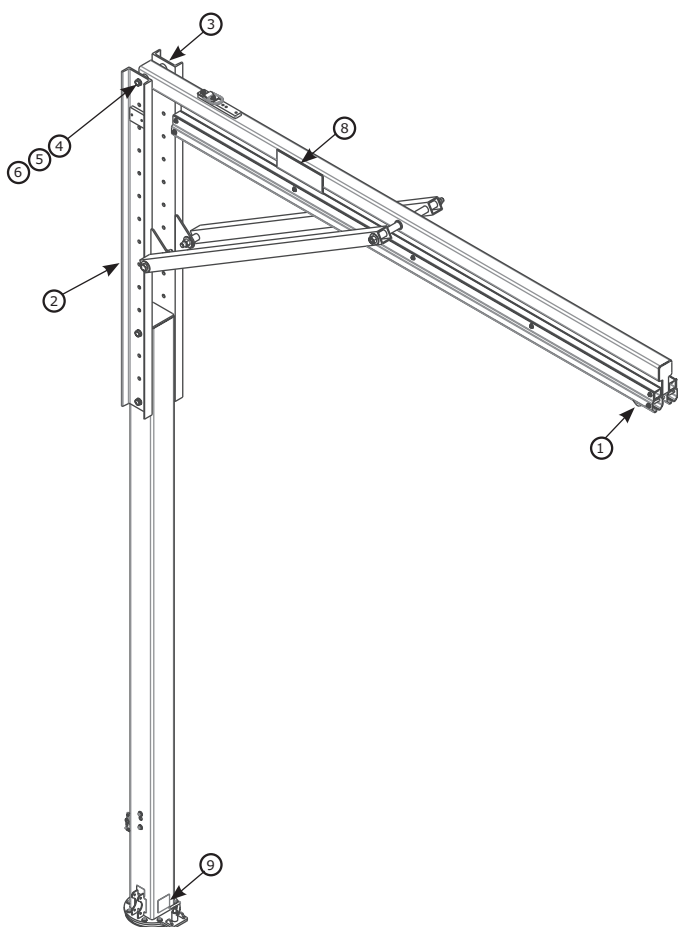
Componenti del braccio a estensione semifisso

SCHEDA TECNICA: 8530902-8530904

3M

DBI
SALA

Fall Protection



	Codice parte	Descrizione	Materiale	Quantità
①	8521711	Carrello	Acciaio inossidabile, acciaio, nylon	1
②	8549933	Montaggio canale di soccorso	Acciaio	1
③	8550248	Canale	Acciaio	1
④	8526654	Bullone 3/4" x 9"	Acciaio	2
⑤	8522275	Rondella da 3/4"	Acciaio	4
⑥	8518276	Dado da 3/4"	Acciaio	2
⑦	9514429	Etichetta identificativa	Poliestere	1

	Codice parte	Descrizione	Materiale	Quantità
⑧	9515111	Etichetta 3M	Poliestere	2
⑨	9515101	Etichetta dispositivo di bloccaggio	Poliestere	1
⑩	8550125	Dispositivo di bloccaggio	Acciaio	2
⑪	9515112	Etichetta utente	Poliestere	1

Base per contrappeso M200

SCHEDA TECNICA: 8530886, 8530887



Fall Protection

APPLICAZIONE:

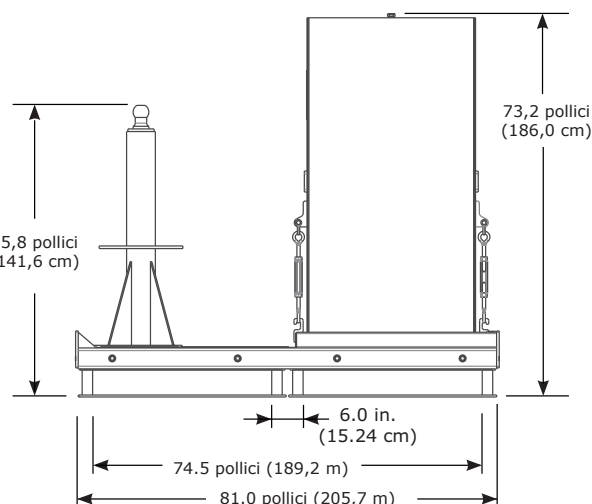
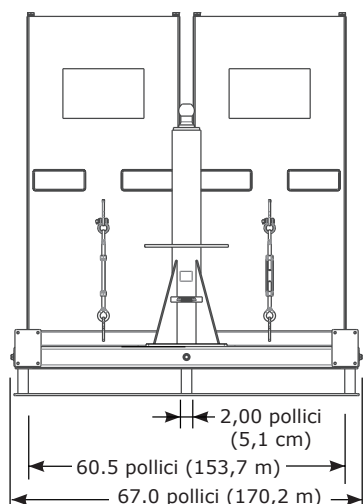
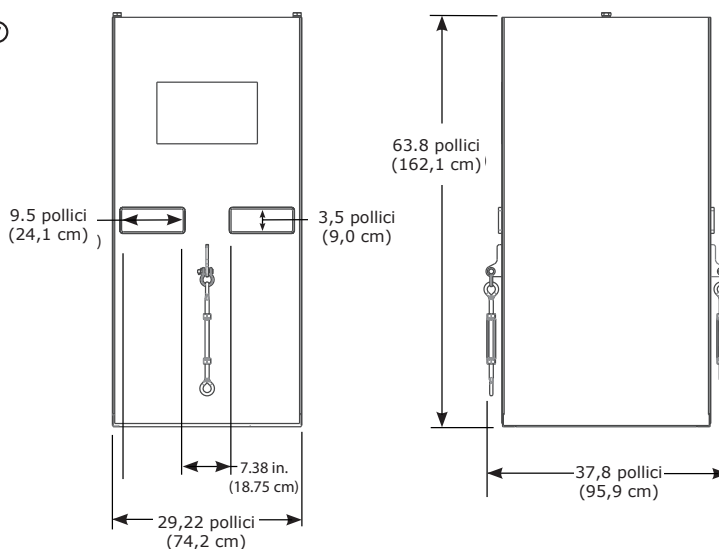
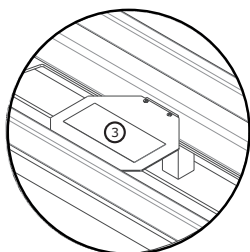
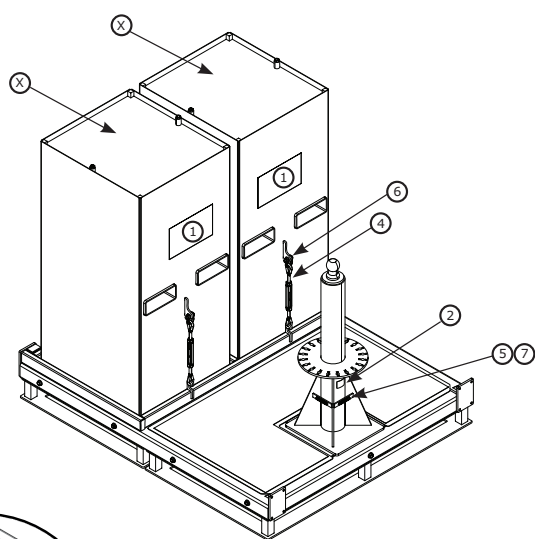
La base di contrappeso è progettata per essere riempita di cemento e utilizzata come punto di montaggio per il Sistema a braccio modulare Flexiguard™ 3M™ DBI-SALA® M200.

Per ulteriori informazioni sull'installazione del prodotto, consulta il Manuale di istruzioni della Base in cemento M200 (5908374) di 3M.

Standard: CEN/TS 16415: 2013 Tipo E, EN795:2012 Tipo E, OSHA 1910.140, OSHA 1926.502

	X 4.000 psi (30 MPa)	Requisiti della struttura a riposo	Peso netto
8530886		14.645 lb (6.643 kg)	2.407 lb. (1.092 kg)
8530887	✓	+ Peso del braccio orientabile M200	11.325 lb. (5.137 kg)

Elenco dei componenti				
	Codice parte	Descrizione	Materiale	Quantità
①	9515107	Etichetta utente	Poliestere	1
②	9514429	Etichetta identificativa	Poliestere	1
③	9515106	Etichetta di avvertenza	Poliestere	1
④	8520575	Tenditore	Acciaio	2
⑤	9513627	n 4 Viti	Acciaio	4
⑥	9501794	Anello di trazione	Acciaio	2
⑦	9515058	Livella a bolla	Plastica	2



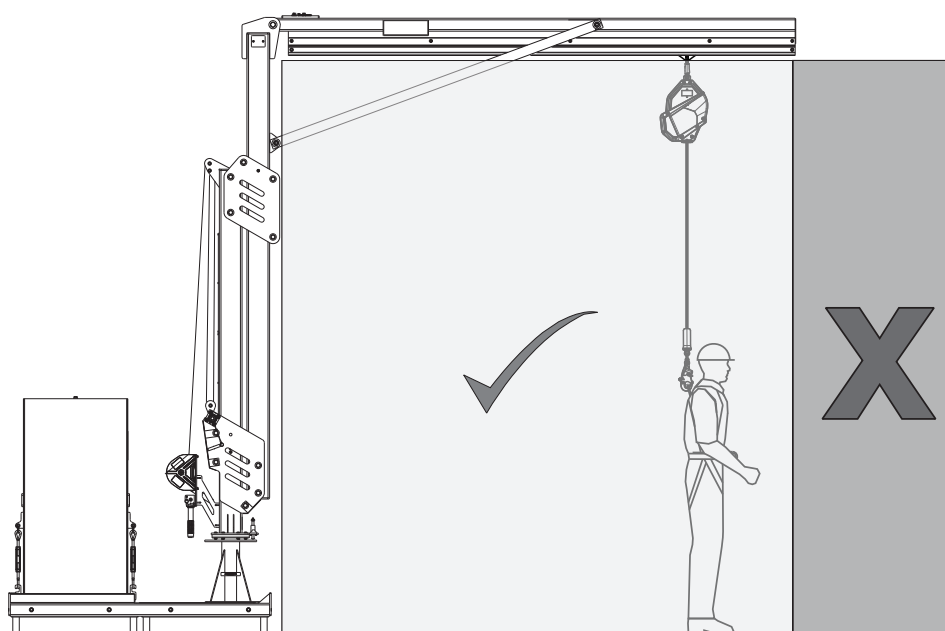
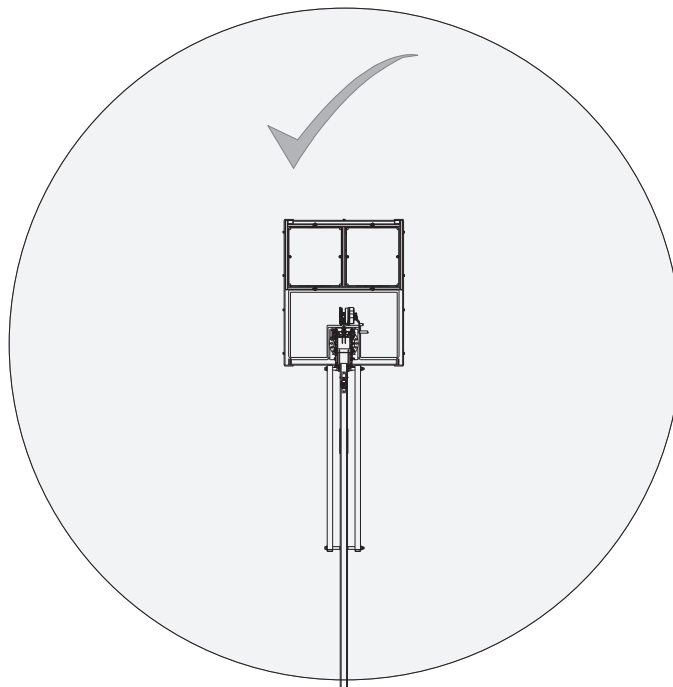
**Area di lavoro della base di
contrappeso M200**
SCHEDA TECNICA: 8530886, 8530887



Fall Protection

APPLICAZIONE:

Per ulteriori informazione consulta lo schema seguente per l'area di lavoro della base in cemento M200.



Accessori della base di contrappeso M200

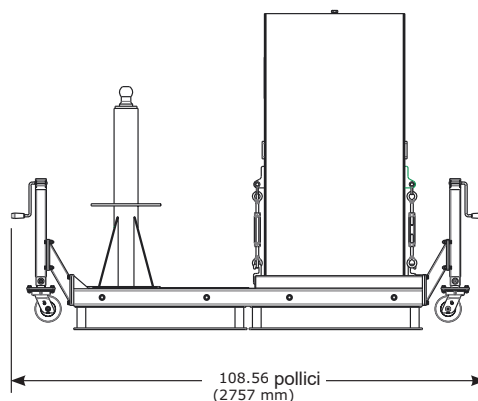
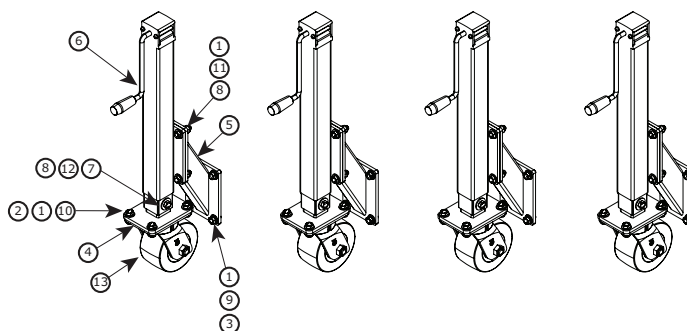
SCHEDA TECNICA: 8530908, 8530907, 8530777



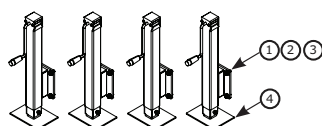
Fall Protection

Peso	
8530908	152 lb (69 kg)

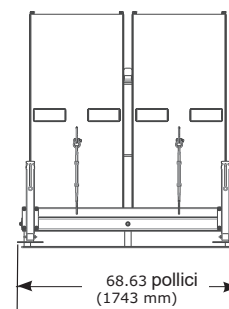
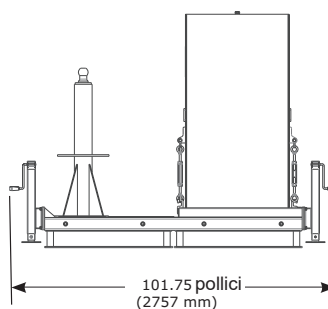
Elenco dei componenti				
	Codice parte	Descrizione	Materiale	Quantità
①	8510037	Rondella da 1/2"	Acciaio	80
②	8512460	Bullone 1/2" x 1 1/4"	Acciaio	16
③	8518432	Bullone 1/2" x 1"	Acciaio	16
④	8550153	Saldatura delle ruote	Acciaio	4
⑤	8550155	Saldatura ad angolo	Acciaio	4
⑥	8550156	Saldatura montata	Acciaio	4
⑦	9501243	Rondella da 1/2"	Acciaio	8
⑧	9501831	Dado esagonale 1/2"	Acciaio	20
⑨	9504221	Rondella da 1/2"	Acciaio	16
⑩	9504813	Dado esagonale 1/2"	Acciaio	16
⑪	9509276	Bullone 1/2" x 3 1/4"	Acciaio	16
⑫	9510153	Bullone 1/2" x 3 1/4"	Acciaio	4
⑬	9515081	Ruota girevole	Acciaio, uretano	4



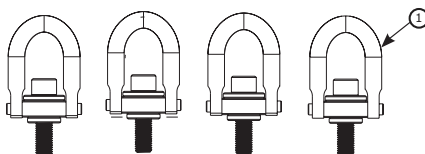
Peso	
8530907	108 lb (49 kg)



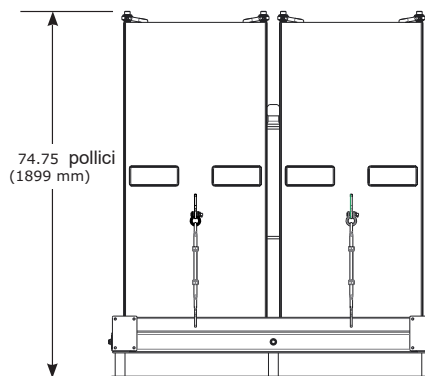
	Codice parte	Descrizione	Materiale	Quantità
①	9504221	Rondella di bloccaggio 1/2"	Acciaio	16
②	8510037	Rondella da 1/2"	Acciaio	16
③	8518432	Bullone 1/2" x 1"	Acciaio	16
④	8550177	Saldatura delle ruote	Acciaio	4



Peso	
8530777	12 lb (5,4 kg)



Elenco dei componenti				
	Codice parte	Descrizione	Materiale	Quantità
①	9512574	Anello di sollevamento	Acciaio	4



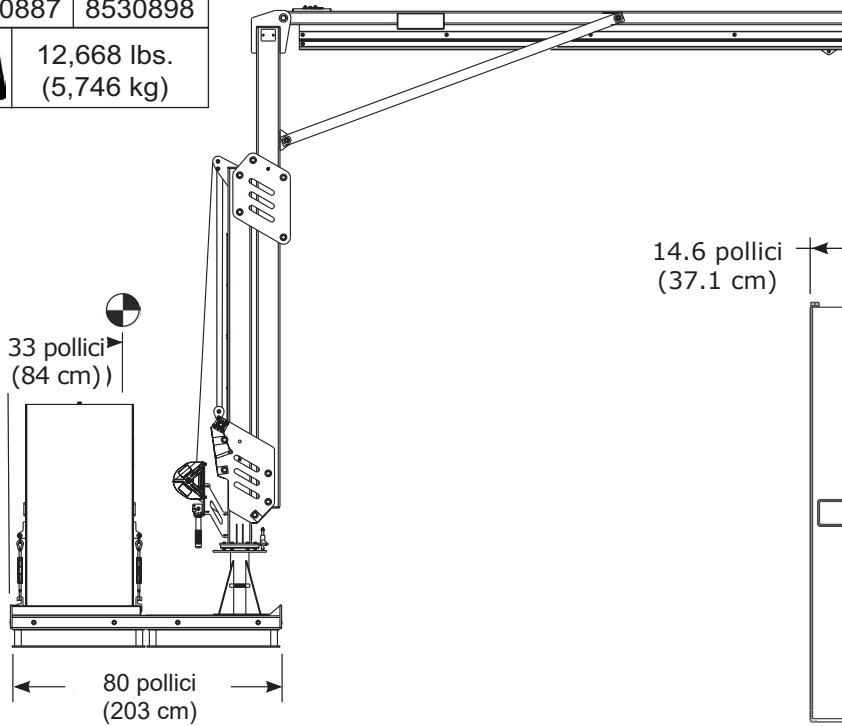
**Centro di gravità della base di
contrappeso M200**
SCHEDA TECNICA: 8530886, 8530887



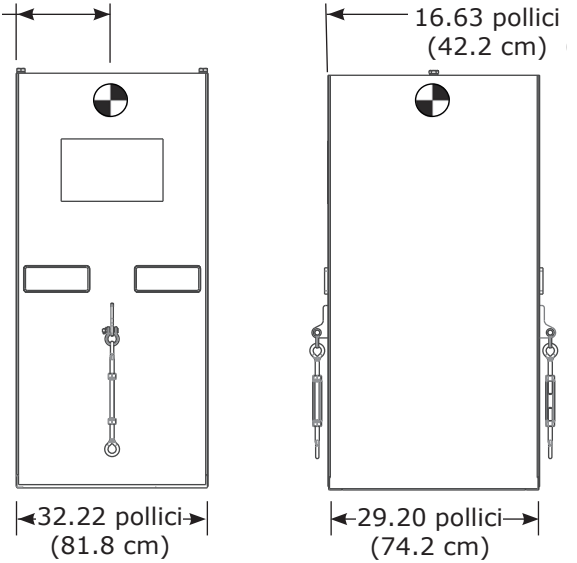
Fall Protection

8530887 8530898

lb (kg) 12,668 lbs.
(5,746 kg)

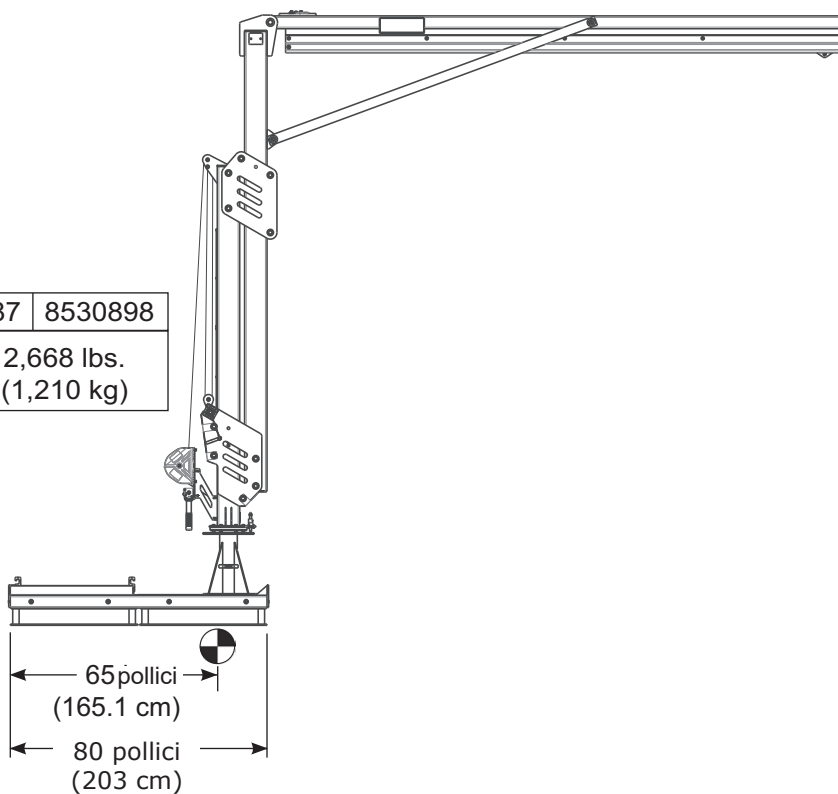


lb (kg) 5,000 lbs.
(2,268 kg)



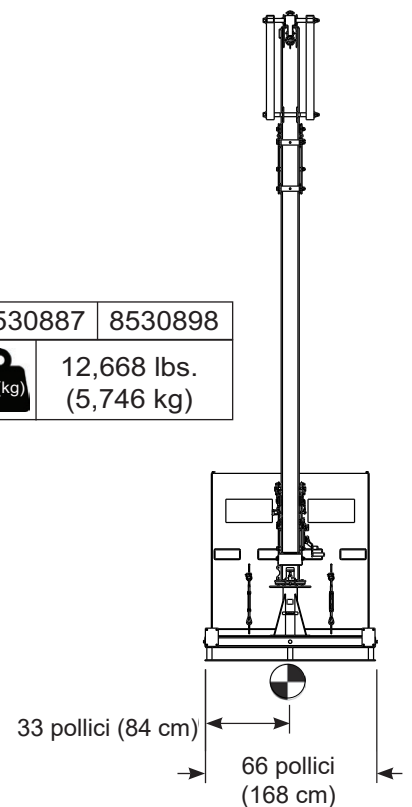
8530887 8530898

lb (kg) 2,668 lbs.
(1,210 kg)



8530887 8530898

lb (kg) 12,668 lbs.
(5,746 kg)



Base per montaggio a pavimento M200

SCHEDA TECNICA: 8530888



Fall Protection

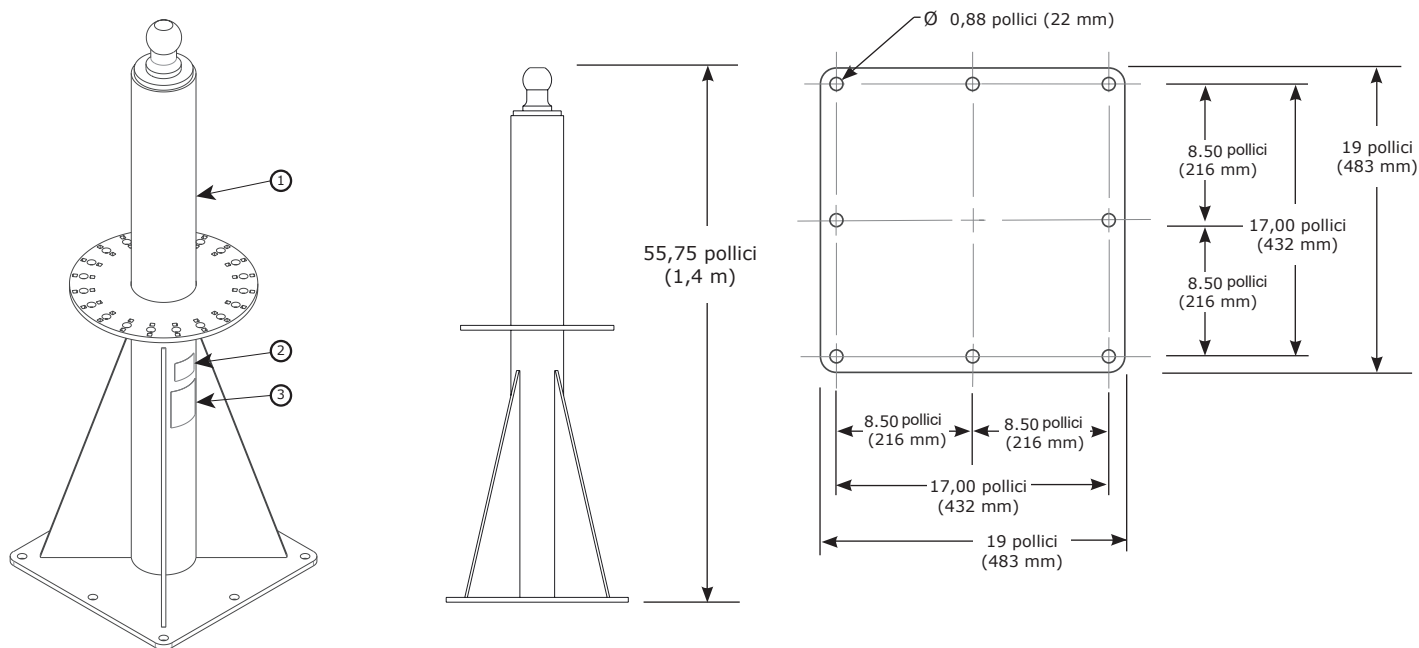
APPLICAZIONE:

La base con montaggio a pavimento è progettata per essere ancorata a strutture approvate e utilizzata come punto di montaggio per il sistema a braccio modulare M200 3M approvato.

Per ulteriori informazioni sull'installazione del prodotto, consulta il Manuale di istruzioni per la base di montaggio a pavimento M200 (5908375) di 3M.

Standard: CEN/TS 16415:2013 Tipo A, EN795:2012 Tipo A, OSHA 1910.140, OSHA 1926.502

	Peso netto
8530888	265 lb. (120 kg)



Elenco dei componenti				
	Codice parte	Descrizione	Materiale	Quantità
①	8549921	Saldatura della base	Acciaio	1
②	9514429	Etichetta identificativa	Poliestere	1
③	9515114	Etichetta utente	Poliestere	1

Requisiti di fissaggio		
Forza di trazione minima del dispositivo di fissaggio	Momento di carico minimo della struttura di montaggio	Carico verticale minimo della struttura di montaggio
9.386 lb. (4.257 kg)	501.633 poll-lb. (56.677 N-m)	3.320 lb (1.506 kg) + peso base + peso del braccio orientabile M200

Base con montaggio a filo M200

SCHEDA TECNICA: 8530889, 8530920, 8530921



Fall Protection

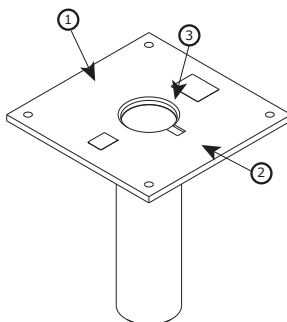
APPLICAZIONE:

La base con montaggio a filo è progettata per essere ancorata a strutture approvate e utilizzata come punto di montaggio per il sistema a braccio modulare M200 3M approvato.

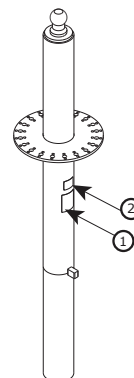
Per ulteriori informazioni sull'installazione del prodotto, consulta e il Manuale di istruzioni per la base a filo M200 (5908375) di 3M.

Standard: CEN/TS 16415:2013, EN795:2012 Tipo A, OSHA 1910.140, OSHA 1926.502

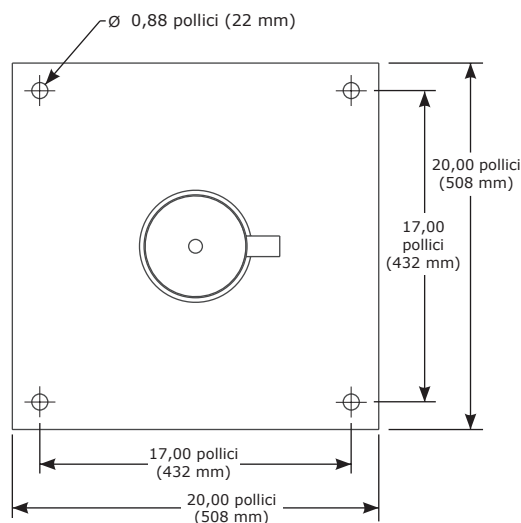
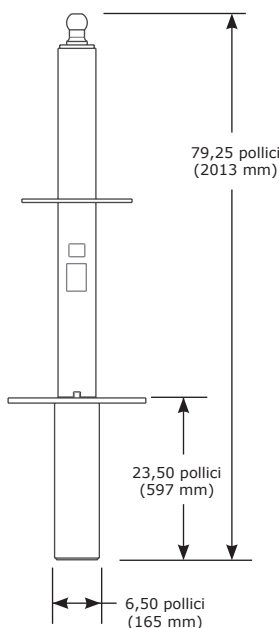
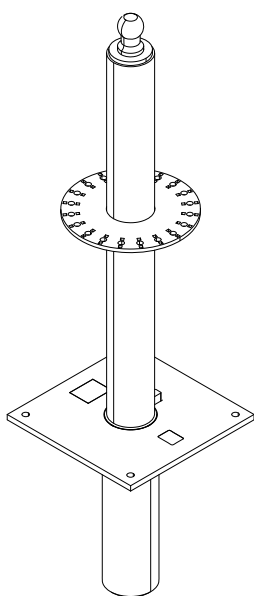
	Peso netto
8530920	140 lb. (64 kg)



	Peso netto
8530921	237 lb. (107 kg)



	Peso netto
8530889	377 lb. (171 kg)



Elenco dei componenti				
	Codice parte	Descrizione	Materiale	Quantità
①	9515114	Etichetta utente	Poliestere	1
②	9514429	Etichetta identificativa	Poliestere	1
③	8550165	Cappuccio della base	Alluminio, gomma	1

Requisiti di fissaggio	
Momento di carico minimo della struttura di montaggio	Carico verticale minimo della struttura di montaggio
501.633 poll-lb. (56.677 N-m)	3.320 lb (1.506 kg) + peso base + peso del braccio orientabile M200

**Area di lavoro delle basi per montaggio
a pavimento M200**

SCHEDA TECNICA: 8530888, 8530889

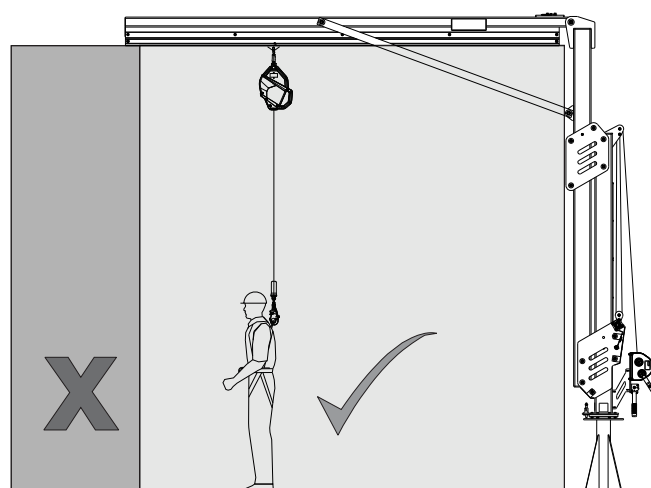
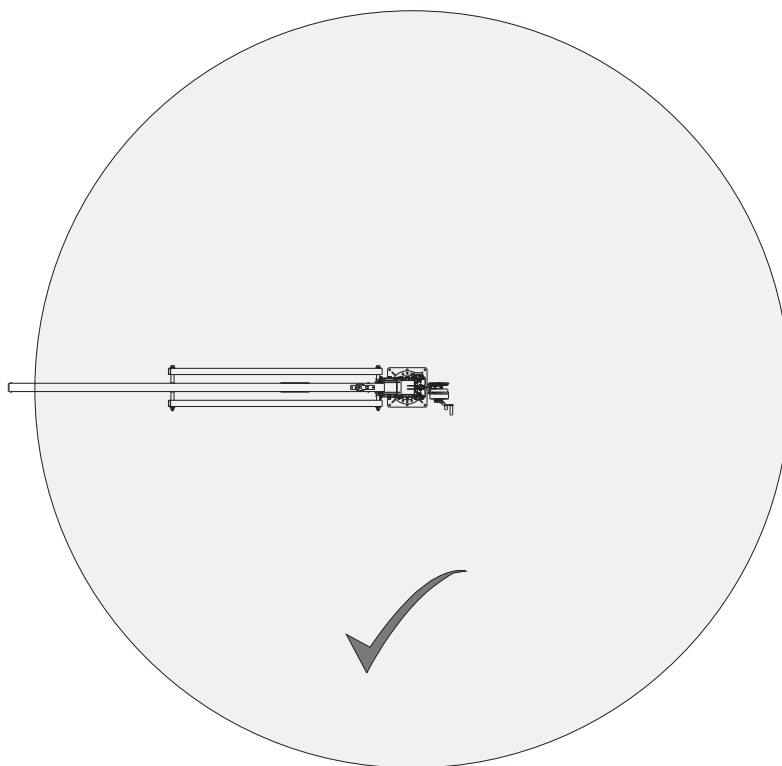
3M

**DBI
SALA®**

Fall Protection

APPLICAZIONE:

Per ulteriori informazioni consulta lo schema seguente per l'area di lavoro delle basi per montaggio a pavimento.



Kit vano da pavimento M200

SCHEDA TECNICA: 8530912

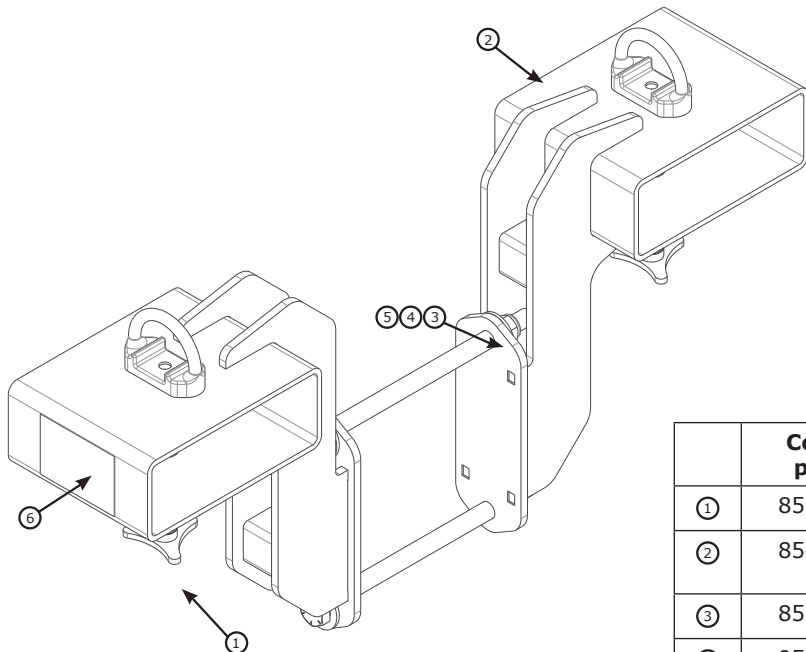


Fall Protection

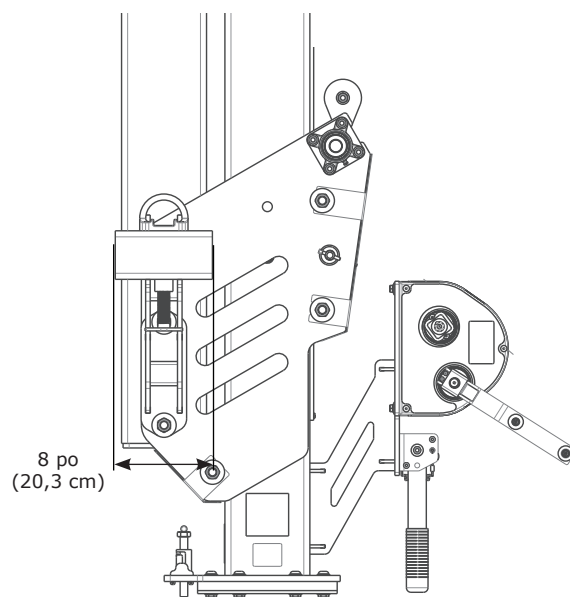
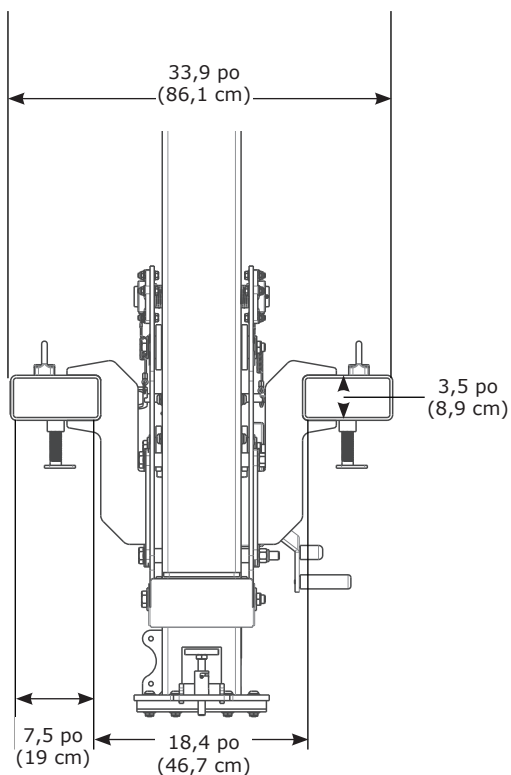
APPLICAZIONE:

Il kit vano da pavimento M200 è progettato per trasportare il sistema braccio regolabile.

Consulta i fogli in elenco per le specifiche dei componenti.



	Codice parte	Descrizione	Quantità
①	8550127	Vite a manopola	2
②	8549905	Saldatura vano di inforcaamento	2
③	8518276	Dado esagonale 3/4"	2
④	9512004	Bullone da 3/4" x 12 pollici	2
⑤	M970033018	Rondella da 3/4"	4
⑥	9515122	Etichetta utente	1
	9500146	Maglia di catena	2
	8517096	Catena	10 piedi





Fall Protection

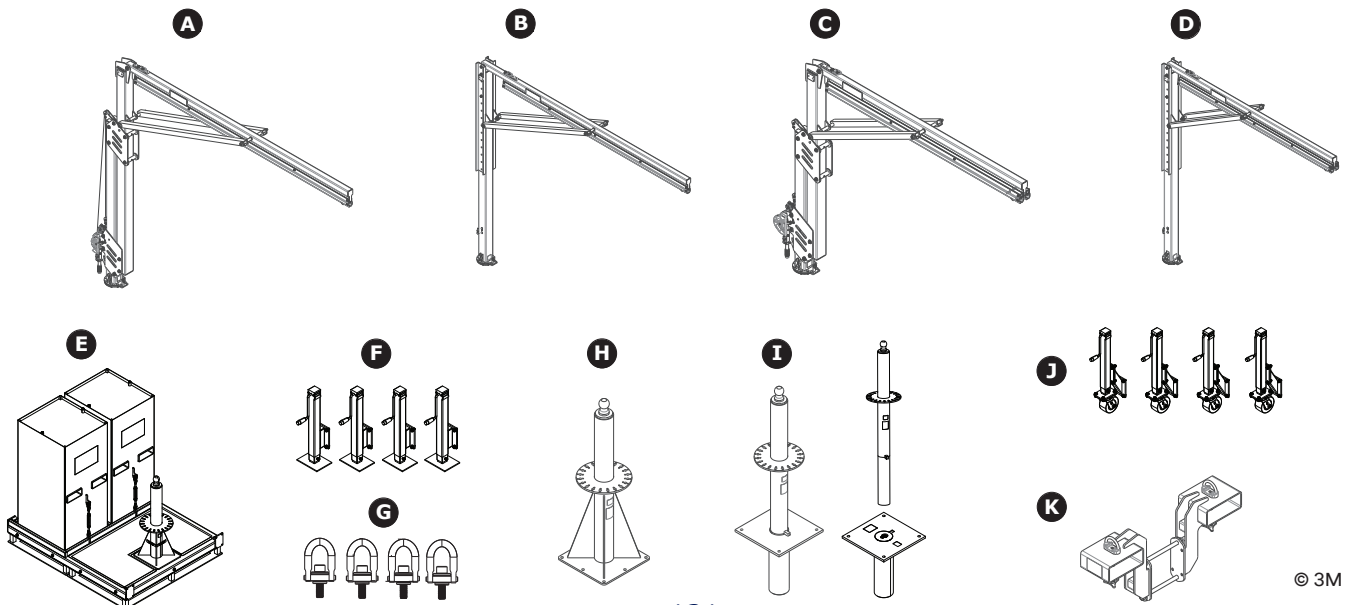


OSHA

**3M™ DBI-サラ™ Flexiguard™
アンカーシステム M200
モジュラージブ**

**テクニカルデータシートパック
5908526 改訂 C**

参照	テクニカルデータシート	説明	ページ番号
A	8530891	12.3 ft.-15 ft. (3.8 m-4.6 m) 調整式モジュラージブアーム	122
	8530892	14.8 ft.-20 ft. (4.5 m-6.1 m) 調整式モジュラージブアーム	122
	8530893	17.3 ft.-25 ft. (5.3 m - 7.6 m) 調整式モジュラージブアーム	122
	8530894	19.8 ft.-30 ft. (6.1 m-9.1 m) 調整式モジュラージブアーム	122
B	8530899	15 ft.-20 ft. (4.6 m-6.1 m) 半固定式モジュラージブアーム	124
	8530900	20 ft.-25 ft. (6.1 m-7.6 m) 半固定式モジュラージブアーム	124
	8530901	25 ft.-30 ft. (7.6 m-9.1 m) 半固定式モジュラージブアーム	124
C	8530895	12.3 ft.-15 ft. (3.8 m-4.6 m) 調整式モジュラージブアーム	126
	8530896	14.8 ft.-20 ft. (4.5 m-6.1 m) 調整式モジュラージブアーム	126
	8530897	17.3 ft.-25 ft. (5.3 m-7.6 m) 調整式モジュラージブアーム	126
	8530898	19.8 ft.-30 ft. (6.1 m-9.1 m) 調整式モジュラージブアーム	126
D	8530902	15 ft.-20 ft. (4.6 m-6.1 m) 半固定式モジュラージブアーム	128
	8530903	20 ft.-25 ft. (6.1 m-7.6 m) 半固定式モジュラージブアーム	128
	8530904	25 ft.-30 ft. (7.6 m-9.1 m) 半固定式モジュラージブアーム	128
E	8530886	カウンターウェイトベース	130
	8530887	カウンターウェイトベース	130
F	8530907	カウンターウェイトベース ジャッキ	132
G	8530777	カウンターウェイトベース 吊上用リング	132
H	8530888	フロアマウントベース	134
I	8530889, 8530920, 8530921	フラッシュマウントベース	135
J	8530908	カウンターウェイトベース ホイール	132
K	8530912	フォークポケットキット	137



調整式モジュラージブアーム

テクニカルデータシート: 8530891-8530894



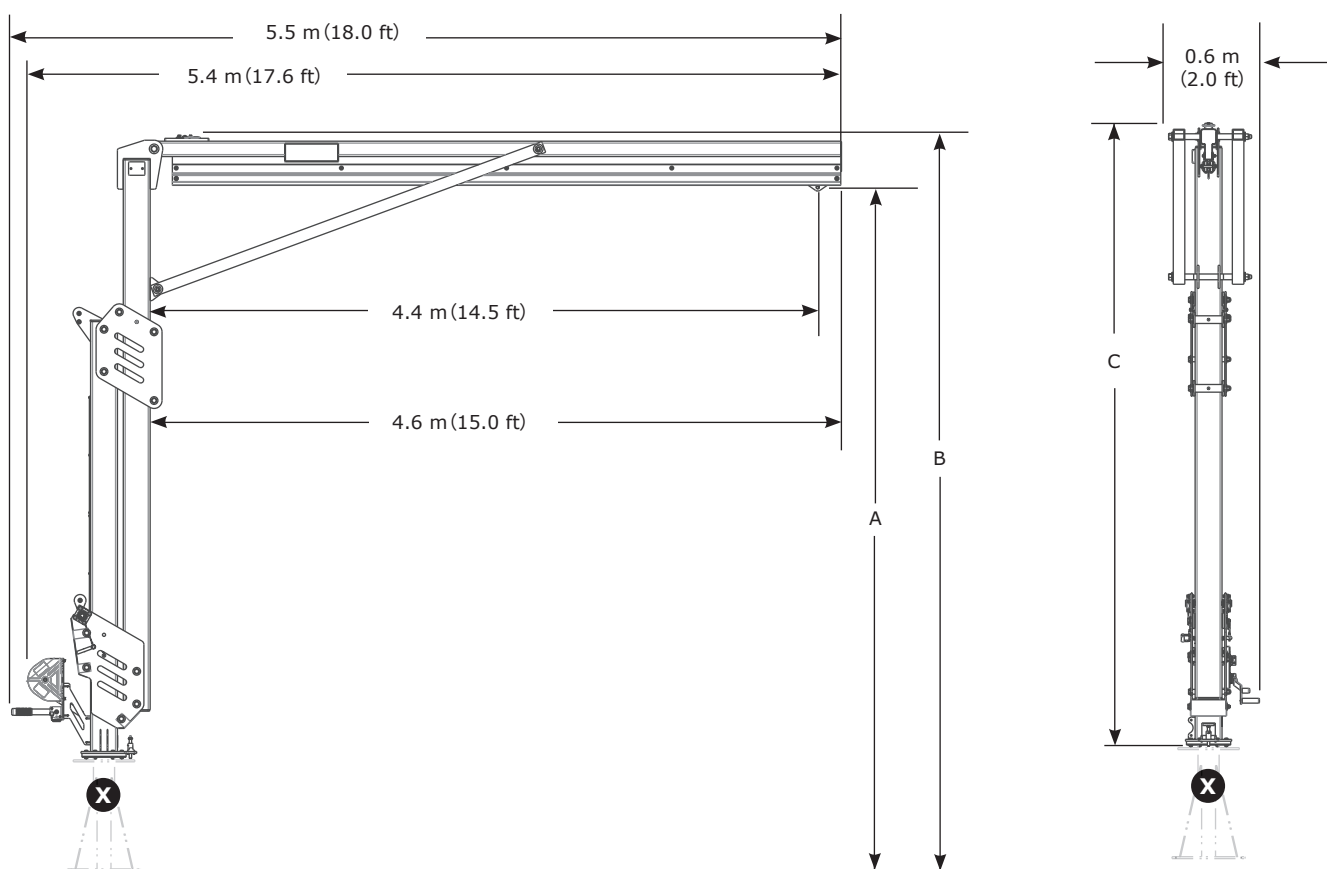
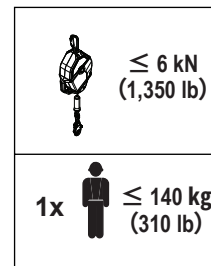
Fall Protection

用途:

M200モジュラージブアームには、墜落防止システムのアンカーポイントが組み込まれて設計されています。

製品の取り付けの詳細については、3MのM200モジュラージブ製品の取扱説明書(5908372)を参照してください。

規格: EN795:2012タイプE、OSHA 1910.140、OSHA 1926.502

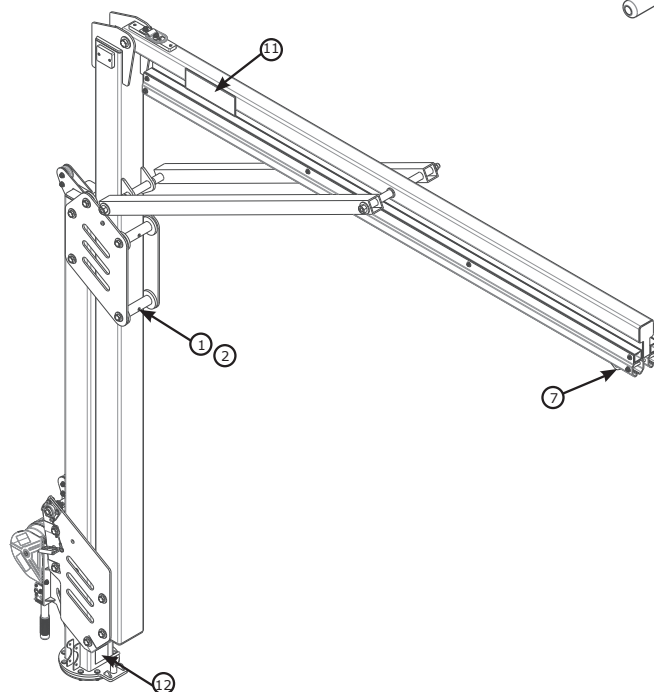
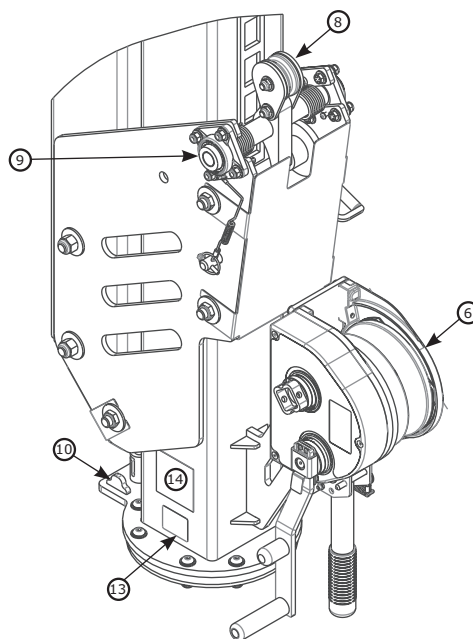
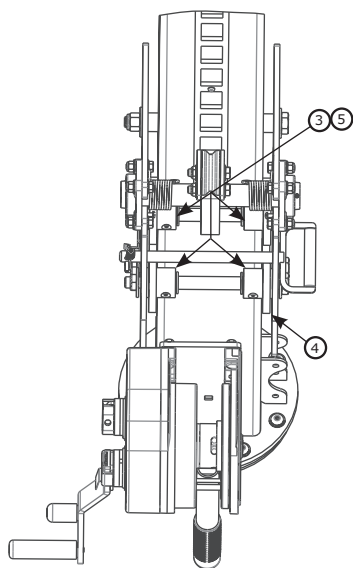


	A	B	C	kg (lb)
8530891	3.8 m - 4.6 m (12.3 ft - 15.0 ft)	4.1 m - 4.9 m (13.4 ft - 16.1 ft)	3.0 m - 4.5 m (9.8 ft - 14.8 ft)	429 kg (945 lb)
8530892	4.5 m - 6.1 m (14.8 ft - 20.0 ft)	4.8 m - 6.4 m (15.9 ft - 21.0 ft)	4.1 m - 5.7 m (13.5 ft - 18.7 ft)	479 kg (1,057 lb)
8530893	5.3 m - 7.6 m (17.3 ft - 24.9 ft)	5.6 m - 7.9 m (18.4 ft - 26.2 ft)	4.9 m - 7.2 m (16.0 ft - 23.7 ft)	530 kg (1,169 lb)
8530894	6.0 m - 9.1 m (19.8 ft - 29.9 ft)	6.4 m - 9.6 m (20.9 ft - 31.2 ft)	5.6 m - 8.7 m (18.5 ft - 28.5 ft)	581 kg (1,281 lb)

調整式モジュラージブアームコンポーネント
 テクニカルデータシート: 8530891-8530894



Fall Protection



部品リスト

部品番号	説明	材質	数量	
①	8550046	ワイドローラー	ナイロン	4
②	8550047	ワイドローラー用 スペーサー	304ステンレ ス鋼	4
③	8550327	ナローローラー	ナイロン	4
④	9514703	サイドローラー	ナイロン	12
⑤	8550213	ナローローラー用 スペーサー	304ステンレ ス鋼	4
⑥	8549930	ウインチ	鉄	1
⑦	8521711	トロリー	鉄、ナイロン	1

部品リスト

部品番号	説明	材質	数量	
⑧	8550223	ロック機構 (指定の修 理業者のみ)	鉄、ナイロン	1
⑨	9515138	ベアリング	鉄	2
⑩	8550125	回転ストッパー	鉄	2
⑪	9515111	3Mラベル	ポリエステル	2
⑫	9515101	回転ラベル	ポリエステル	1
⑬	9514429	IDラベル	ポリエステル	1
⑭	9515112	使用者ラベル	ポリエステル	1

半固定式モジュラージブアーム

テクニカルデータシート: 8530899-8530901



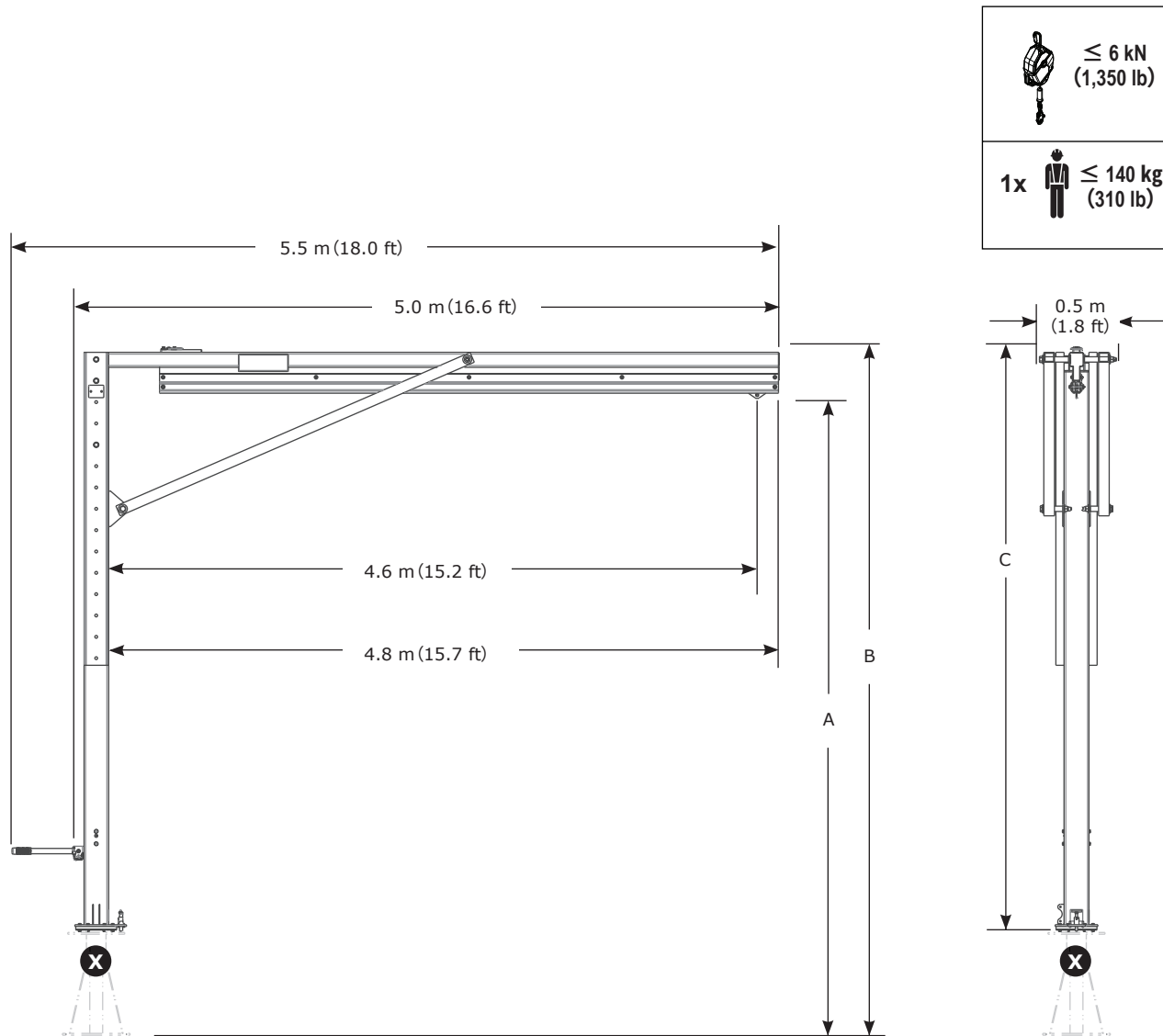
Fall Protection

用途:

M200モジュラージブアームには、墜落防止システムのアンカーポイントが組み込まれて設計されています。

製品の取り付けの詳細については、3MのM200モジュラージブ製品の取扱説明書(5908372)を参照してください。

規格: EN795:2012 タイプE、OSHA 1910.140、OSHA 1926.502。



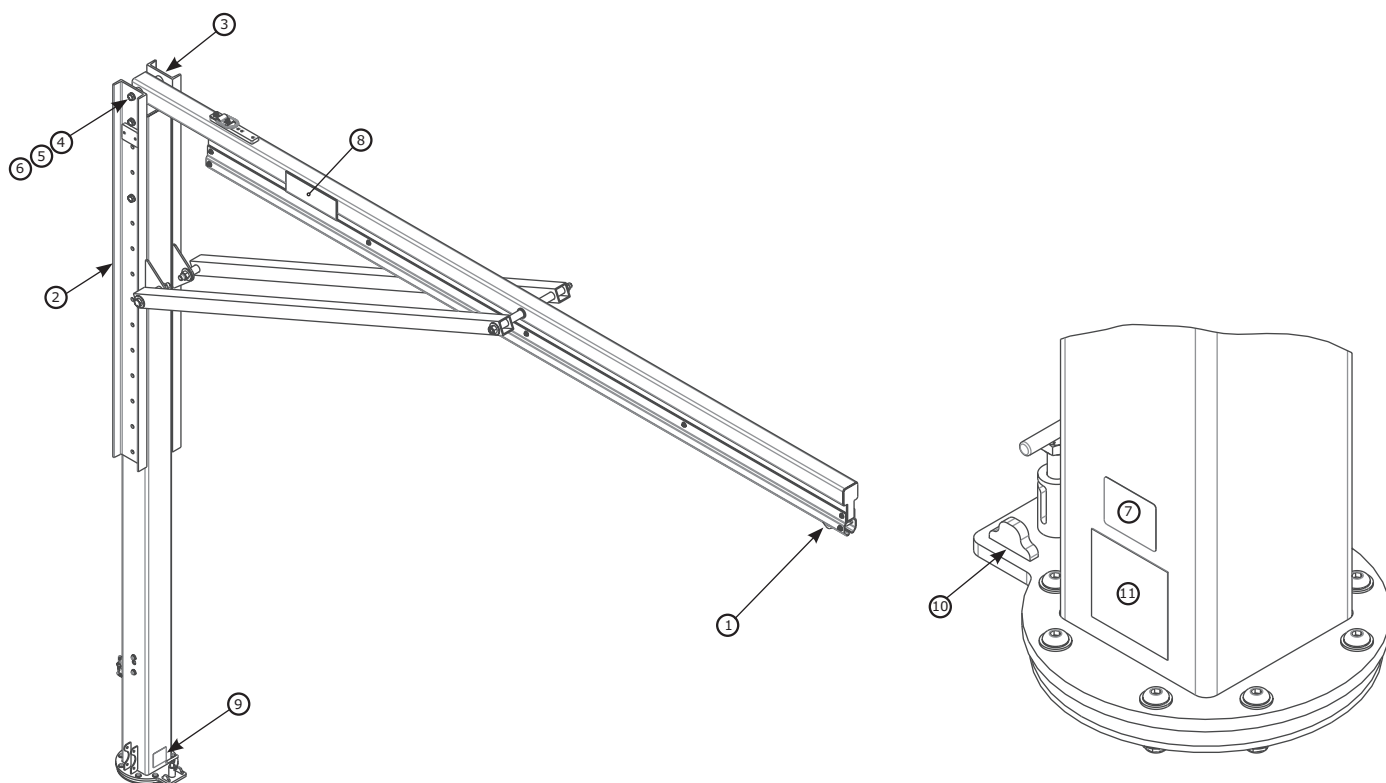
	A	B	C	kg (lb)
8530899	4.6 m - 6.1 m (15.0 ft - 20.0 ft)	4.9 m - 6.4 m (16.1 ft - 21.1 ft)	4.2 m - 5.7 m (13.7 ft - 18.7 ft)	371 kg (818 lb)
8530900	6.1 m - 7.6 m (20.0 ft - 25.0 ft)	6.4 m - 7.9 m (21.1 ft - 26.1 ft)	5.7 m - 7.2 m (18.7 ft - 23.7 ft)	422 kg (930 lb)
8530901	7.6 m - 9.1 m (25.0 ft - 30.0 ft)	7.9 m - 9.6 m (26.1 ft - 31.1 ft)	7.2 m - 8.7 m (23.7 ft - 28.7 ft)	472 kg (1,041 lb)
	+152 mm (6 in) 調整増分			

半固定式モジュラージブアームコンポーネント

テクニカルデータシート: 8530899-8530901



Fall Protection



部品番号	説明	材質	数量	
①	8521711	トロリー	ステンレス鋼、鉄、 ナイロン	1
②	8549933	救助マウントチャ ネル	鉄	1
③	8550248	チャンネル	鉄	1
④	8526654	3/4" x 9" ボルト	鉄	2
⑤	8522275	3/4" ワッシャー	鉄	4
⑥	8518276	3/4" ナット	鉄	2
⑦	9514429	IDラベル	ポリエステル	1

部品番号	説明	材質	数量	
⑧	9515111	3Mラベル	ポリエステル	2
⑨	9515101	回転ラベル	ポリエステル	1
⑩	8550125	回転ストッパー	鉄	2
⑪	9515112	使用者ラベル	ポリエステル	1

調整式モジュラージブアーム

テクニカルデータシート: 8530895-8530898



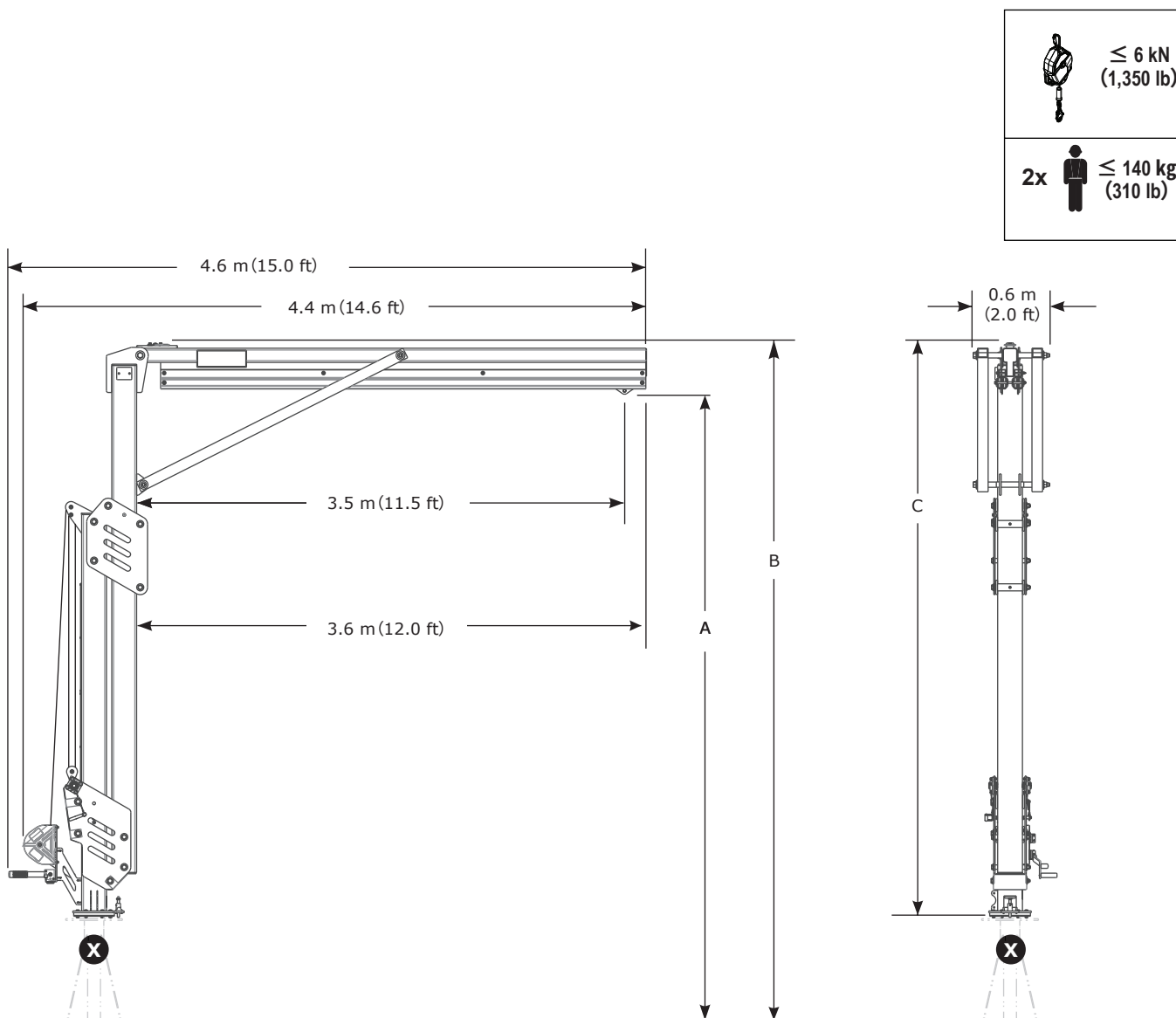
Fall Protection

用途:

M200モジュラージブアームには、墜落防止システムのアンカーポイントが組み込まれて設計されています。

製品の取り付けの詳細については、3MのM200モジュラージブ製品の取扱説明書(5908372)を参照してください。

規格: CEN/TS 16415:2013タイプE、EN795:2012タイプE、OSHA 1910.140、OSHA 1926.502

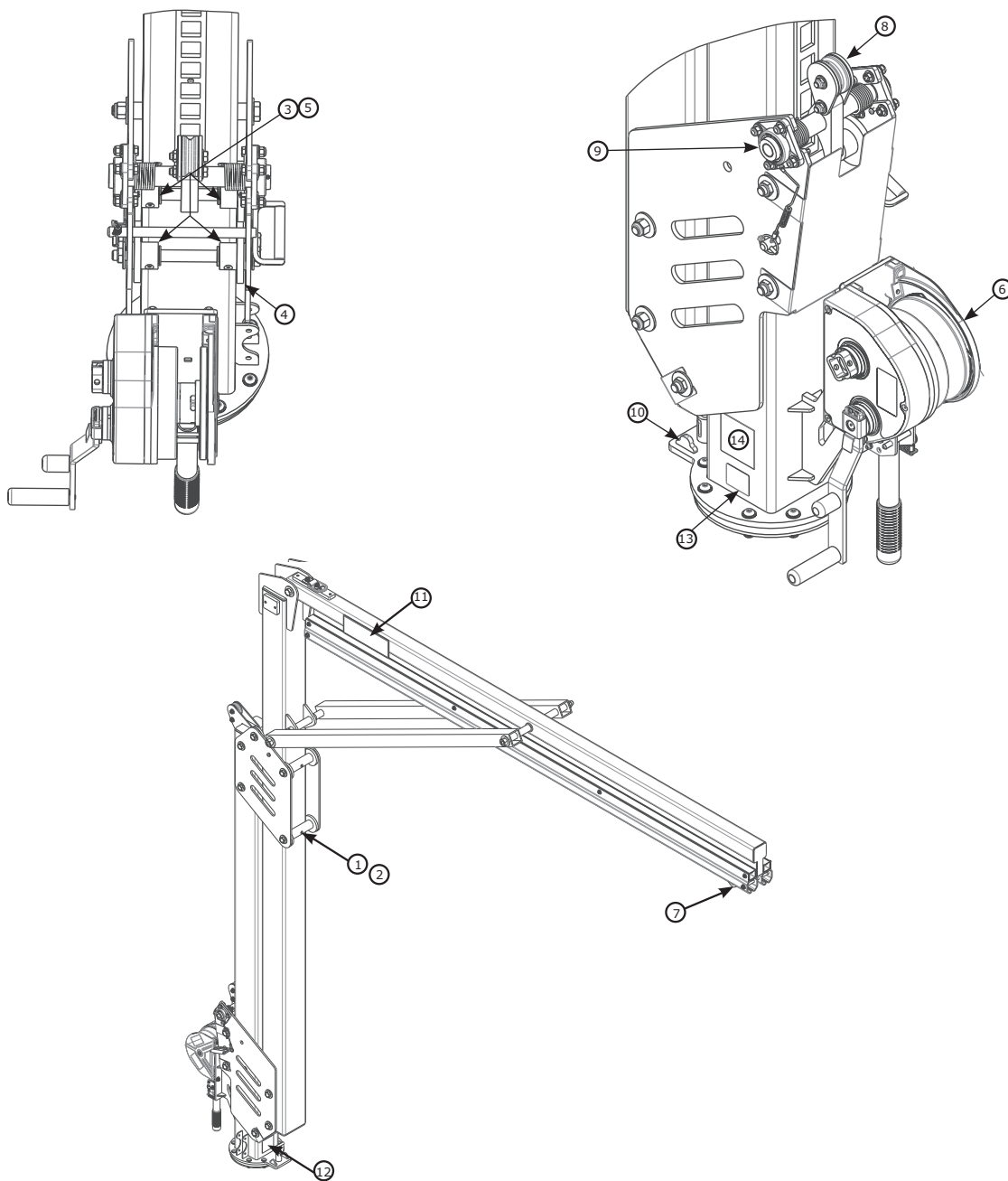


	A	B	C	kg (lb)
8530895	3.8 m - 4.6 m (12.3 ft - 15.0 ft)	4.1 m - 4.9 m (13.4 ft - 16.1 ft)	3.4 m - 4.2 m (11.0 ft - 13.7 ft)	459 kg (1,011 lb)
8530896	4.5 m - 6.1 m (14.8 ft - 20.0 ft)	4.8 m - 6.4 m (15.9 ft - 21.0 ft)	4.1 m - 5.7 m (13.5 ft - 18.7 ft)	509 kg (1,123 lb)
8530897	5.3 m - 7.6 m (17.3 ft - 24.9 ft)	5.6 m - 7.9 m (18.4 ft - 26.2 ft)	4.9 m - 7.2 m (16.0 ft - 23.7 ft)	560 kg (1,235 lb)
8530898	6.0 m - 9.1 m (19.8 ft - 29.9 ft)	6.4 m - 9.6 m (20.9 ft - 31.2 ft)	5.6 m - 8.7 m (18.5 ft - 28.5 ft)	609 kg (1,343 lb)

調整式モジュラージブアームコンポーネント
 テクニカルデータシート: 8530895-8530898



Fall Protection



部品リスト

	部品番号	説明	材質	数量
①	8550046	ワイドローラー	ナイロン	4
②	8550047	ワイドローラー用 スペーサー	304ステンレ ス鋼	4
③	8550327	ナローローラー	ナイロン	4
④	9514703	サイドローラー	ナイロン	12
⑤	8550213	ナローローラー用 スペーサー	304ステンレ ス鋼	4
⑥	8549930	ウインチ	鉄	1
⑦	8521711	トロリー	鉄、ナイロン	1

部品リスト

	部品番号	説明	材質	数量
⑧	8550223	ロック機構 (指定の修 理業者のみ)	鉄、ナイロン	1
⑨	9515138	ベアリング	鉄	2
⑩	8550125	回転ストッパー	鉄	2
⑪	9515111	3Mラベル	ポリエステル	2
⑫	9515101	回転ラベル	ポリエステル	1
⑬	9514429	IDラベル	ポリエステル	1
⑭	9515112	使用者ラベル	ポリエステル	1

半固定式モジュラージブアーム

テクニカルデータシート: 8530902-8530904



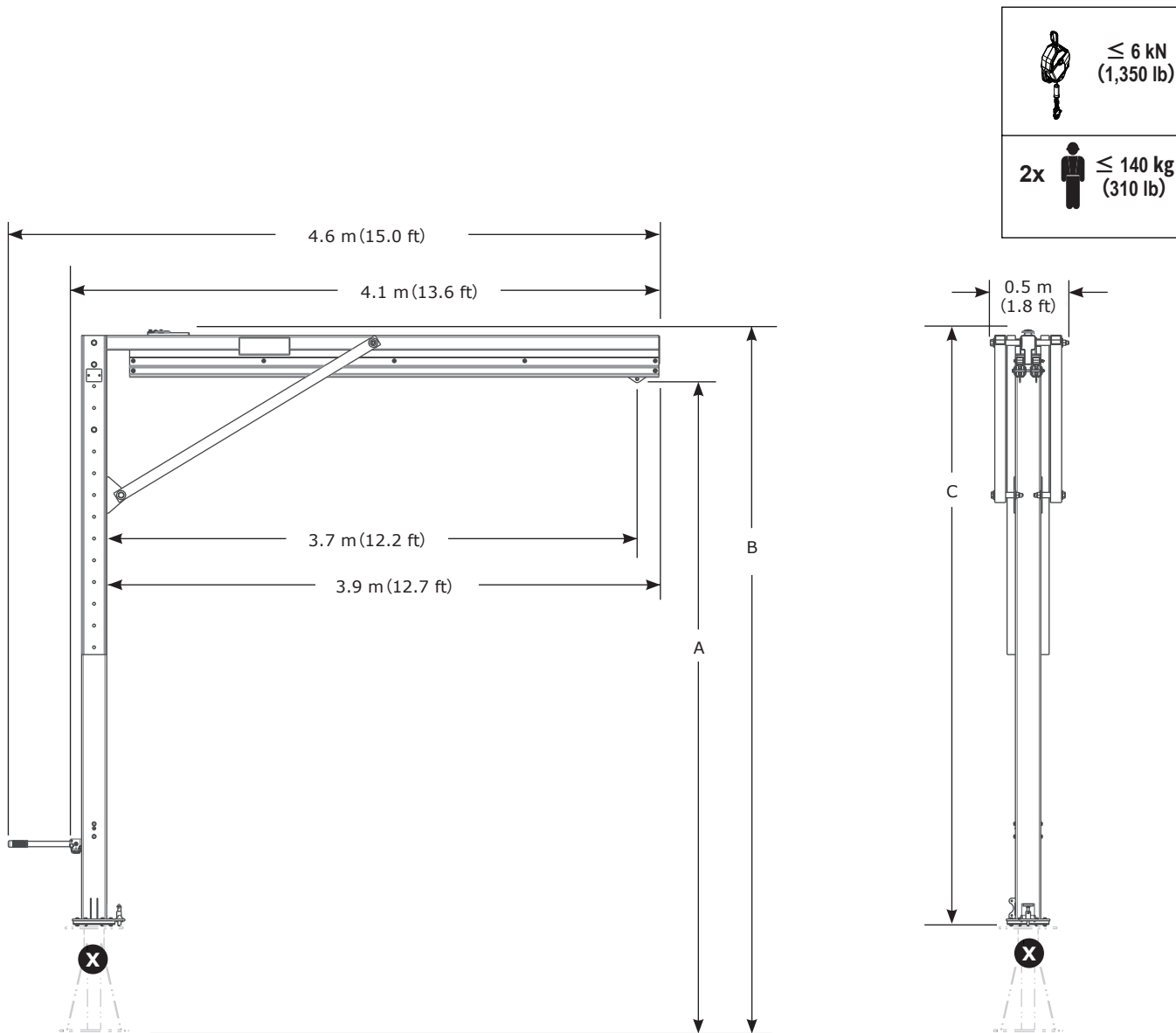
Fall Protection

用途:

M200モジュラージブアームには、墜落防止システムのアンカーポイントが組み込まれて設計されています。

製品の取り付けの詳細については、3MのM200モジュラージブ製品の取扱説明書(5908372)を参照してください。

規格: CEN/TS 16415:2013タイプE、EN795:2012タイプE、OSHA 1910.140、OSHA 1926.502。



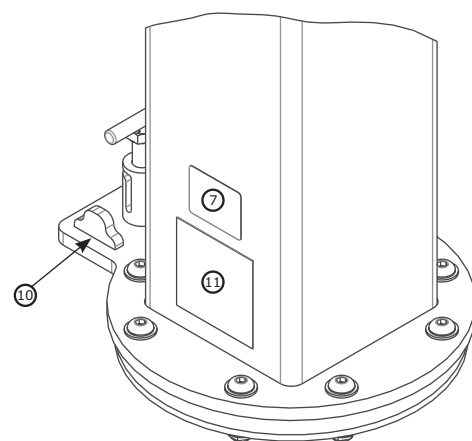
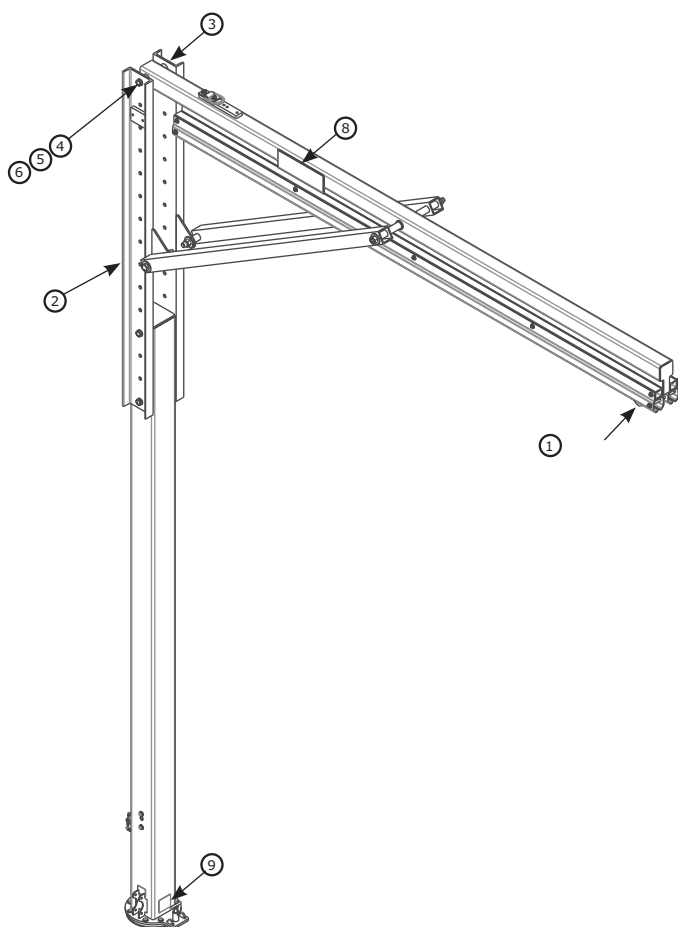
	A	B	C	kg (lb)
8530902	4.6 m - 6.1 m (15.0 ft - 20.0 ft)	4.9 m - 6.4 m (16.1 ft - 21.1 ft)	4.2 m - 5.7 m (13.7 ft - 18.7 ft)	386 kg (850 lb)
8530903	6.1 m - 7.6 m (20.0 ft - 25.0 ft)	6.4 m - 7.9 m (21.1 ft - 26.1 ft)	5.7 m - 7.2 m (18.7 ft - 23.7 ft)	436 kg (961 lb)
8530904	7.6 m - 9.1 m (25.0 ft - 30.0 ft)	7.9 m - 9.6 m (26.1 ft - 31.1 ft)	7.2 m - 8.7 m (23.7 ft - 28.7 ft)	487 kg (1,073 lb)

半固定式モジュラージブアームコンポーネント

テクニカルデータシート: 8530902-8530904



Fall Protection



	部品番号	説明	材質	数量
①	8521711	トロリー	ステンレス鋼、鉄、 ナイロン	1
②	8549933	救助マウントチャ ネル	鉄	1
③	8550248	チャンネル	鉄	1
④	8526654	3/4" x 9" ボルト	鉄	2
⑤	8522275	3/4" ワッシャー	鉄	4
⑥	8518276	3/4" ナット	鉄	2
⑦	9514429	IDラベル	ポリエステル	1

	部品番号	説明	材質	数量
⑧	9515111	3Mラベル	ポリエステル	2
⑨	9515101	回転ラベル	ポリエステル	1
⑩	8550125	回転ストッパー	鉄	2
⑪	9515112	使用者ラベル	ポリエステル	1

M200用カウンターウェイトベース

テクニカルデータシート: 8530886、8530887



Fall Protection

用途:

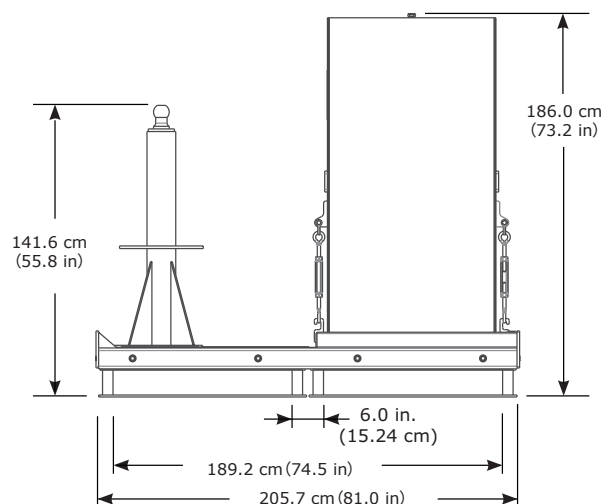
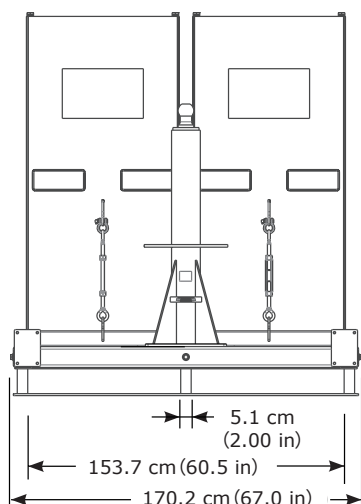
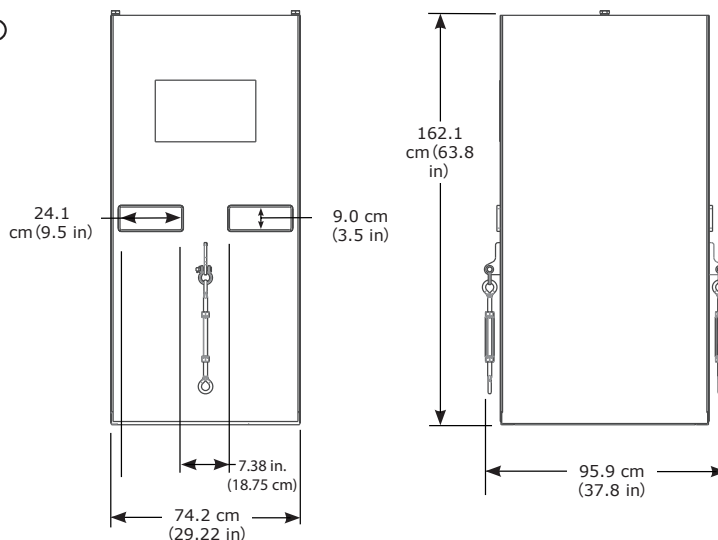
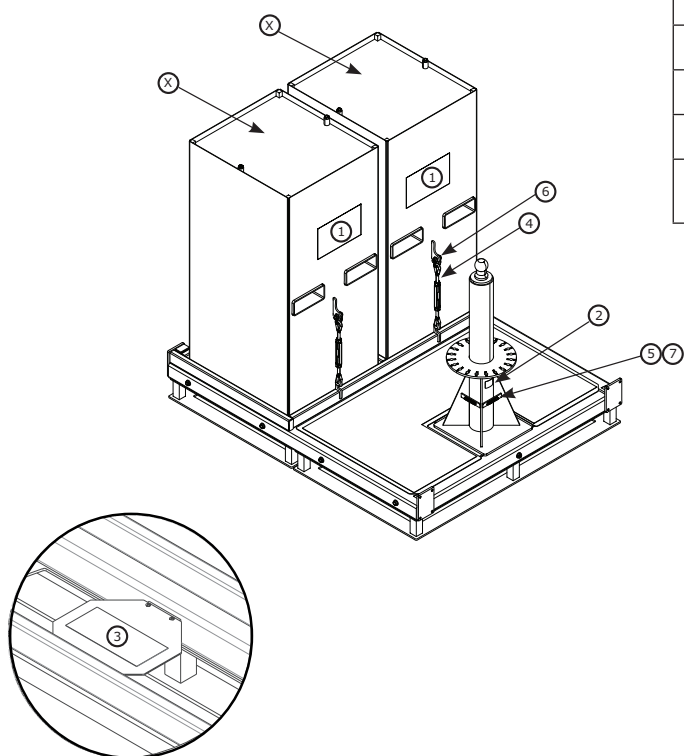
カウンターウェイトベース製品は、コンクリートを充填し、3M™ DBI-サラ™ Flexiguard™ アンカーシステムM200モジュラージブの取付ポイントとして使用するよう設計されています。

製品の取り付けの詳細については、3MのM200用カウンターウェイトベース製品の取扱説明書 (5908374) を参照してください。

規格: CEN/TS 16415:2013タイプE、EN795:2012タイプE、OSHA 1910.140、OSHA 1926.502

	X 30 MPa (4,000 psi)	設置構造の要件	正味重量
8530886		6,643 kg (14,645 lb) + M200ジブブームの重量	1,092 kg (2,407 lb)
8530887	√		5,137 kg (11,325 lb)

部品リスト				
	部品番号	説明	材質	数量
①	9515107	使用者ラベル	ポリエス テル	1
②	9514429	IDラベル	ポリエス テル	1
③	9515106	警告ラベル	ポリエス テル	1
④	8520575	ターンバックル	鉄	2
⑤	9513627	4番ネジ	鉄	4
⑥	9501794	シャックル	鉄	2
⑦	9515058	バブル式水平器	プラスチ ック	2



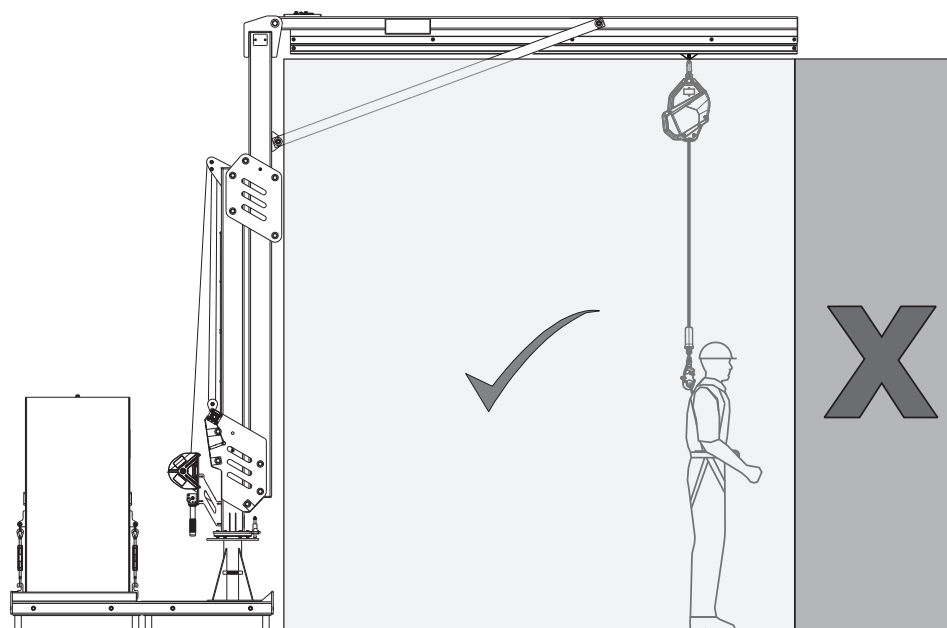
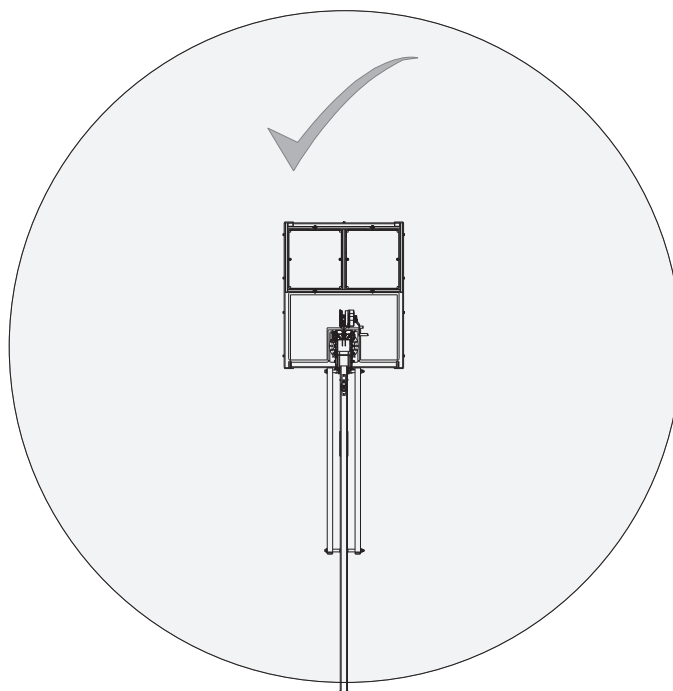
M200用カウンターウェイトベース製品の作業区域
テクニカルデータシート: 8530886、8530887



Fall Protection

用途:

M200用カウンターウェイトベース製品の作業区域については、以下の図を参照してください。



M200用カウンターウェイトベース製品付属品

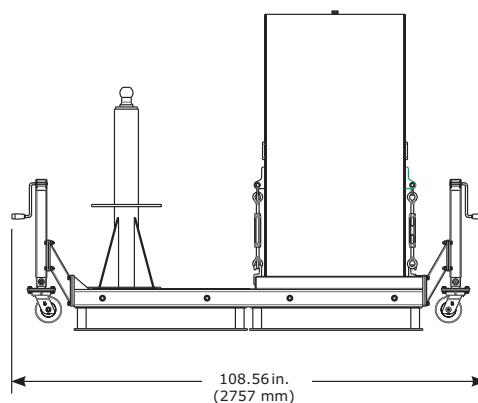
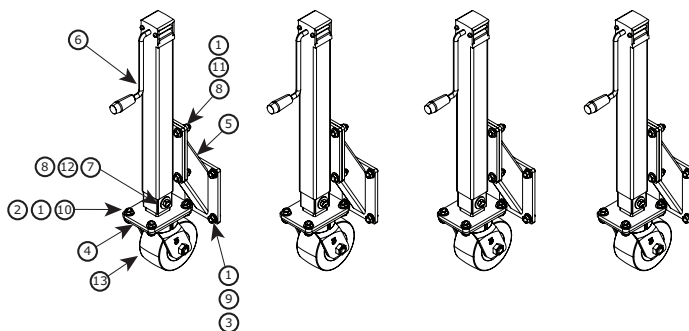
テクニカルデータシート: 8530908、8530907、8530777



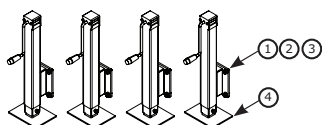
Fall Protection

重量	
8530908	69 kg (152 lb)

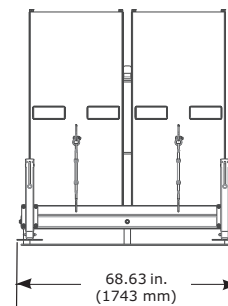
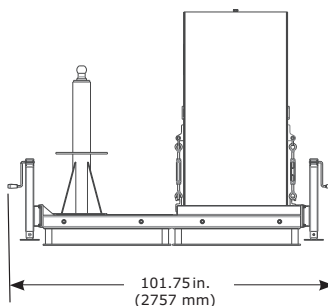
部品リスト				
	部品番号	説明	材質	数量
①	8510037	1/2" ワッシャー	鉄	80
②	8512460	1/2" X 1 1/4" ボルト	鉄	16
③	8518432	1/2" x 1" ボルト	鉄	16
④	8550153	ホイール溶接	鉄	4
⑤	8550155	角溶接	鉄	4
⑥	8550156	マウント溶接	鉄	4
⑦	9501243	1/2" ワッシャー	鉄	8
⑧	9501831	1/2" 六角ナット	鉄	20
⑨	9504221	1/2" ワッシャー	鉄	16
⑩	9504813	1/2" 六角ナット	鉄	16
⑪	9509276	1/2" x 1 3/4" ボルト	鉄	16
⑫	9510153	1/2" x 3 1/4" ボルト	鉄	4
⑬	9515081	キャスターホイール	鉄、ウレタン	4



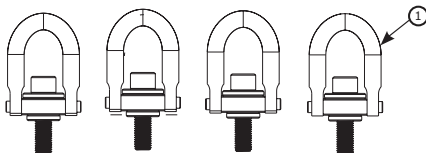
重量	
8530907	49 kg (108 lb)



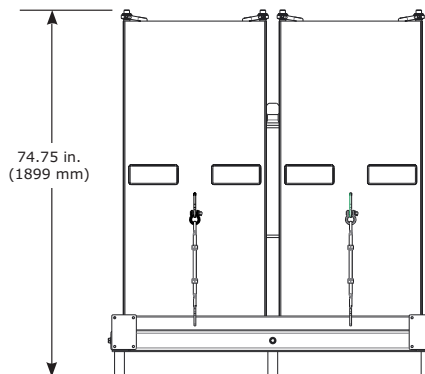
	部品番号	説明	材質	数量
①	9504221	1/2" ロックワッシャー	鉄	16
②	8510037	1/2" ワッシャー	鉄	16
③	8518432	1/2" x 1" ボルト	鉄	16
④	8550177	ホイール溶接	鉄	4



重量	
8530777	5.4 kg (12 lb)



部品リスト				
	部品番号	説明	材質	数量
①	9512574	吊上用リング	鉄	4



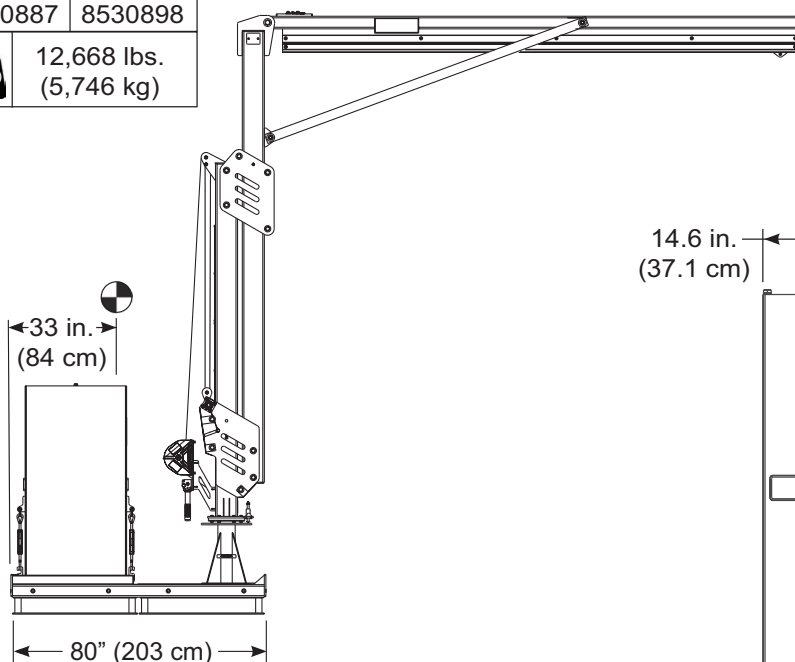
M200カウンターウェイトベース製品の重心
テクニカルデータシート: 8530886、8530887

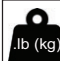


Fall Protection

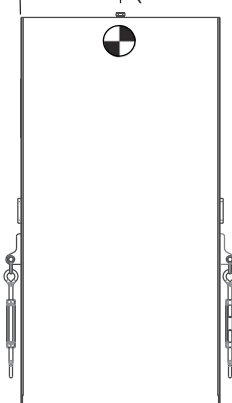
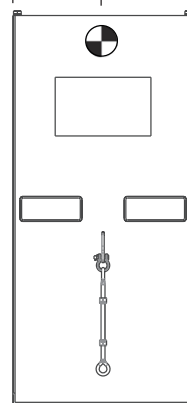
8530887	8530898
---------	---------

 12,668 lbs. (5,746 kg)



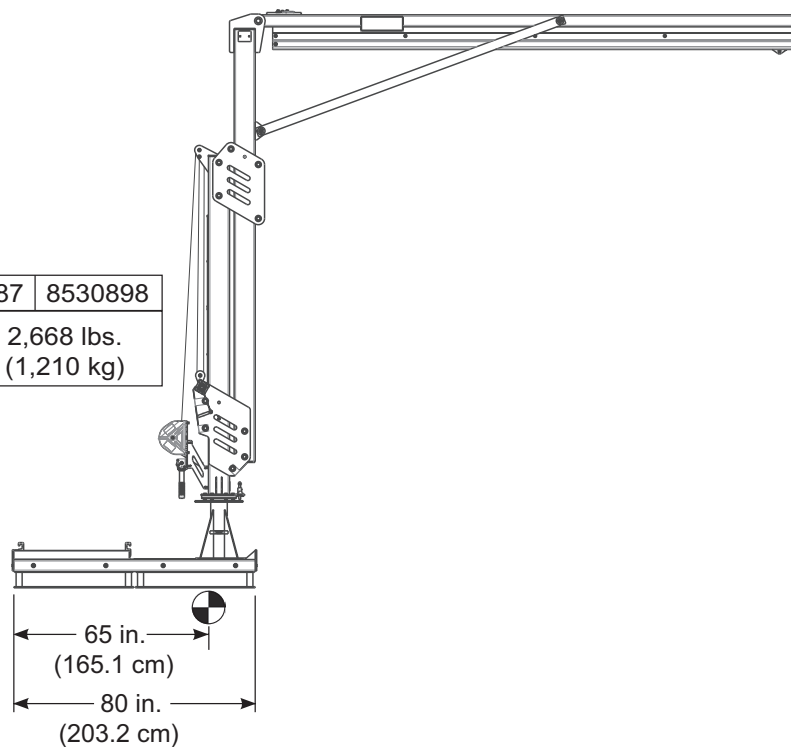
 5,000 lbs. (2,268 kg)
--

14.6 in. (37.1 cm) 16.63 in. (42.2 cm)



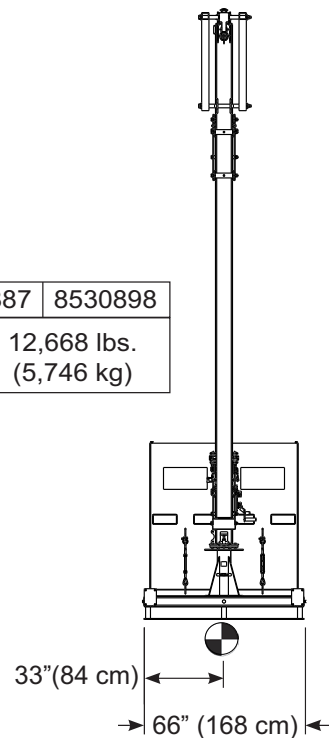
8530887	8530898
---------	---------

 2,668 lbs. (1,210 kg)
--



8530887	8530898
---------	---------

 12,668 lbs. (5,746 kg)



M200用フロアマウントベース

テクニカルデータシート: 8530888



Fall Protection

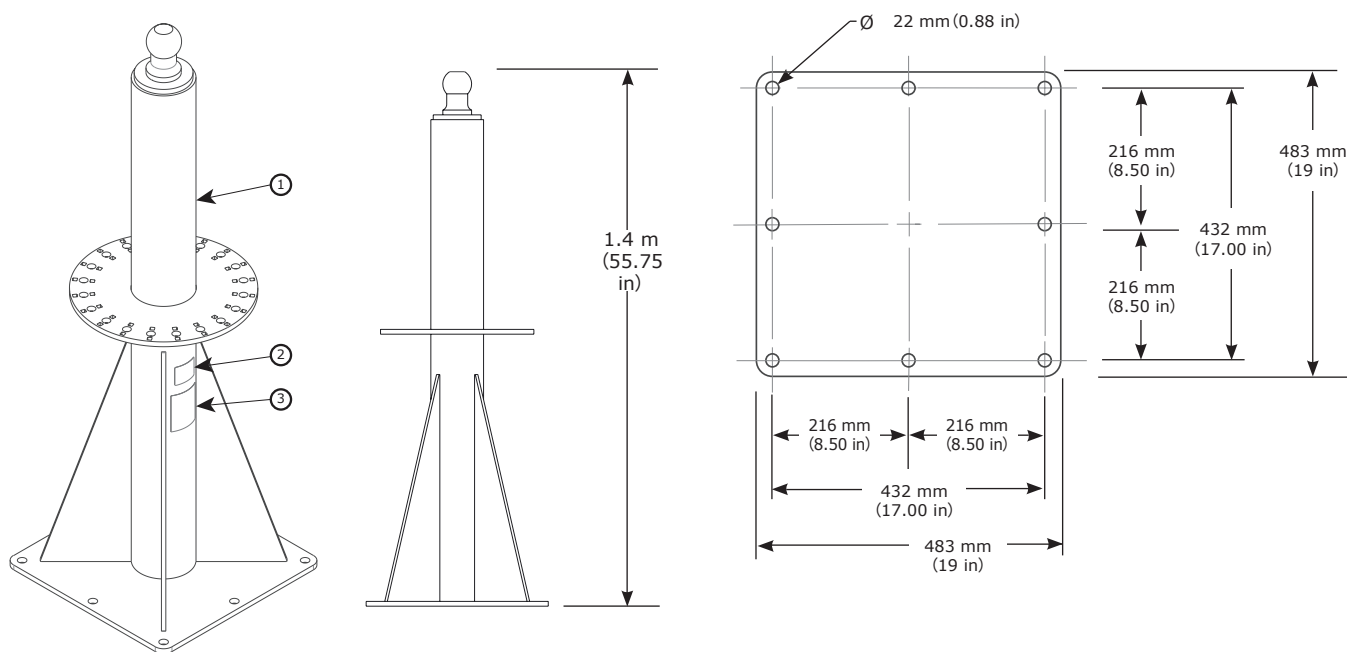
用途:

フロアマウントベース製品は、指定の構造物に固定し、3M製のM200モジュラージブの取付ポイントとして使用するよう設計されています。

製品の取り付けの詳細については、3MのM200用フロアマウントベース製品の取扱説明書(5908375)を参照してください。

規格: CEN/TS 16415:2013タイプA、EN795:2012タイプA、OSHA 1910.140、OSHA 1926.502

	正味重量
8530888	120 kg (265 lb)



部品リスト				
	部品番号	説明	材質	数量
①	8549921	ベース溶接	鉄	1
②	9514429	IDラベル	ポリエステル	1
③	9515114	使用者ラベル	ポリエステル	1

取付要件		
最低アンカー引抜力	取付構造の最小モーメント荷重	取付構造の最小垂直荷重
4,257 kg (9,386 lb)	56,677 Nm (501,633 in-lb)	1,506 kg (3,320 lb) + ベースの重量 + M200ジブブームの重量

M200用フラッシュマウントベース

テクニカルデータシート: 8530889、8530920、8530921



Fall Protection

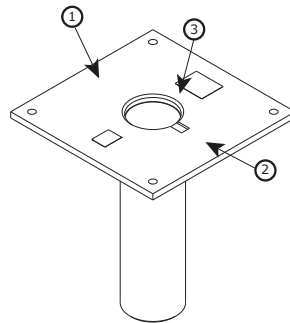
用途:

フラッシュマウントベースは、指定の構造に固定し、M200モジュラージブの取付ポイントとして使用するよう設計されています。

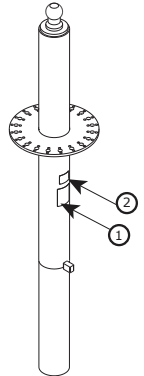
製品の取り付けの詳細については、3MのM200用フラッシュマウントベース製品の取扱説明書(5908375)を参照してください。

規格: CEN/TS 16415:2013、EN795:2012タイプA、OSHA 1910.140、OSHA 1926.502

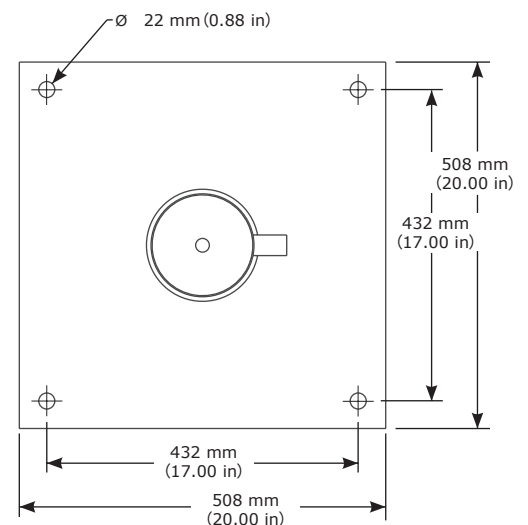
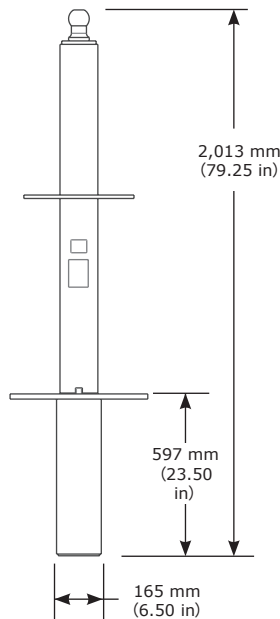
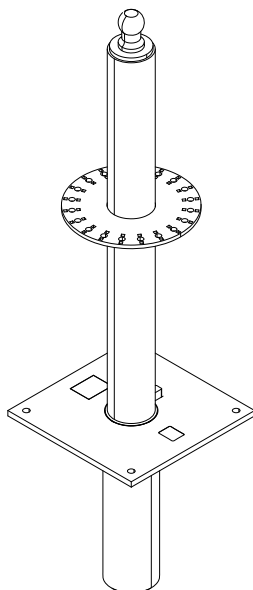
正味重量	
8530920	64 kg (140 lb)



正味重量	
8530921	107 kg (237 lb)



正味重量	
8530889	171 kg (377 lb)



部品リスト				
	部品番号	説明	材質	数量
①	9515114	使用者ラベル	ポリエステル	1
②	9514429	IDラベル	ポリエステル	1
③	8550165	ベースキャップ	アルミニウム、ラバー	1

取付要件	
取付構造の最小モーメント荷重	取付構造の最小垂直荷重
56,677 Nm (501,633 in-lb)	1,506 kg (3,320 lb) + ベースの重量 + M200ジブブームの重量

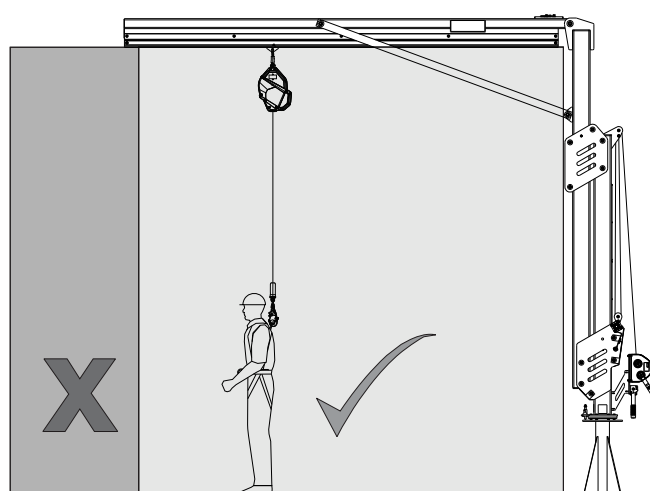
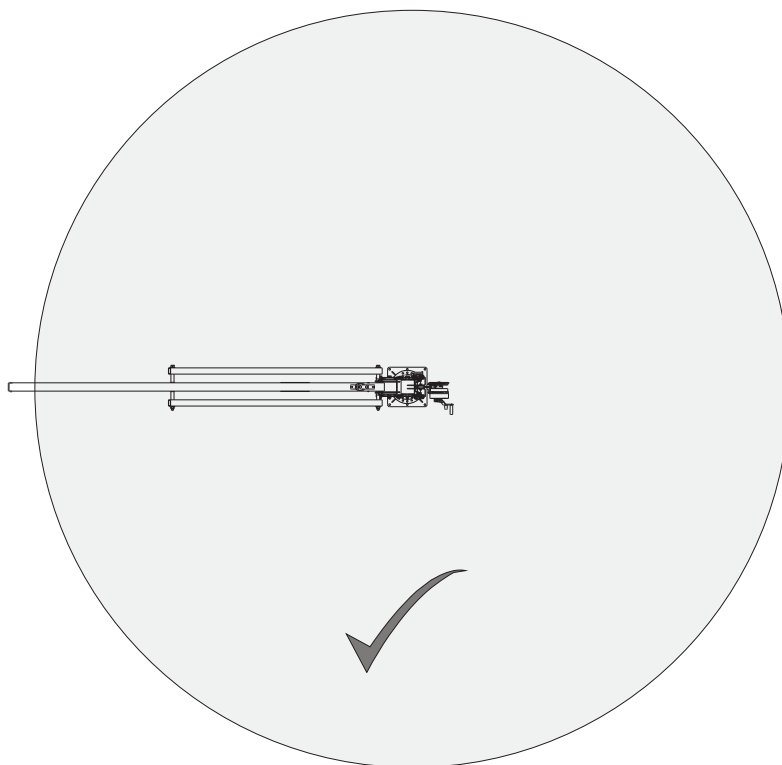
M200用フロアマウントベース製品の作業区域
テクニカルデータシート: 8530888、8530889



Fall Protection

用途:

フロアマウントベース製品の作業区域については、以下の図を参照してください。



M200用フォークポケットキット

テクニカルデータシート: 8530912

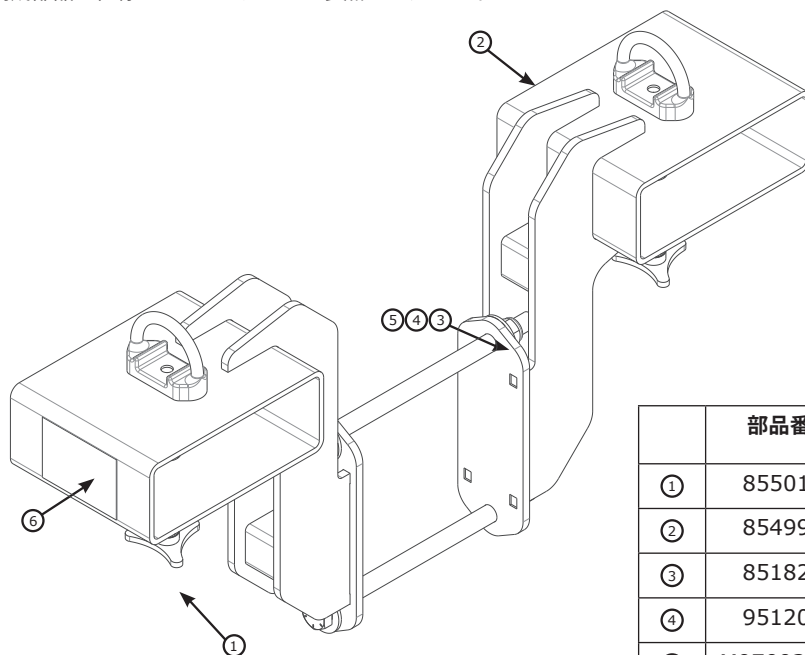


Fall Protection

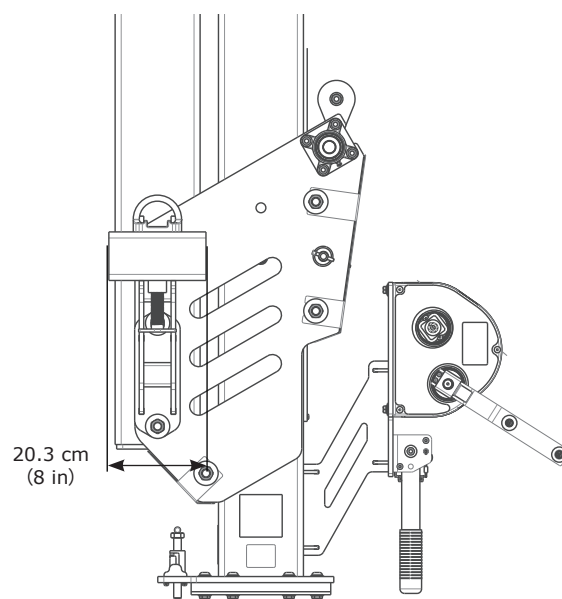
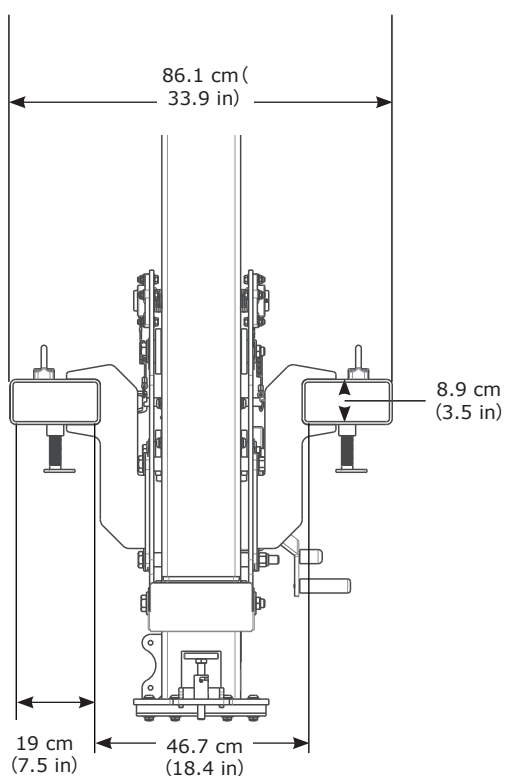
用途:

M200用フロアポケットキットは、調整可能式ジブブームの運搬用に設計されています。

各構成部品の仕様については、リストを参照してください。



	部品番号	説明	数量
①	8550127	三角つば付き固定ねじ	2
②	8549905	フォークポケット溶接	2
③	8518276	3/4" 六角ナット	2
④	9512004	3/4" X 12" ボルト	2
⑤	M970033018	3/4" ワッシャー	4
⑥	9515122	使用者ラベル	1
	9500146	チェーンリンク	2
	8517096	チェーン	3.0 m



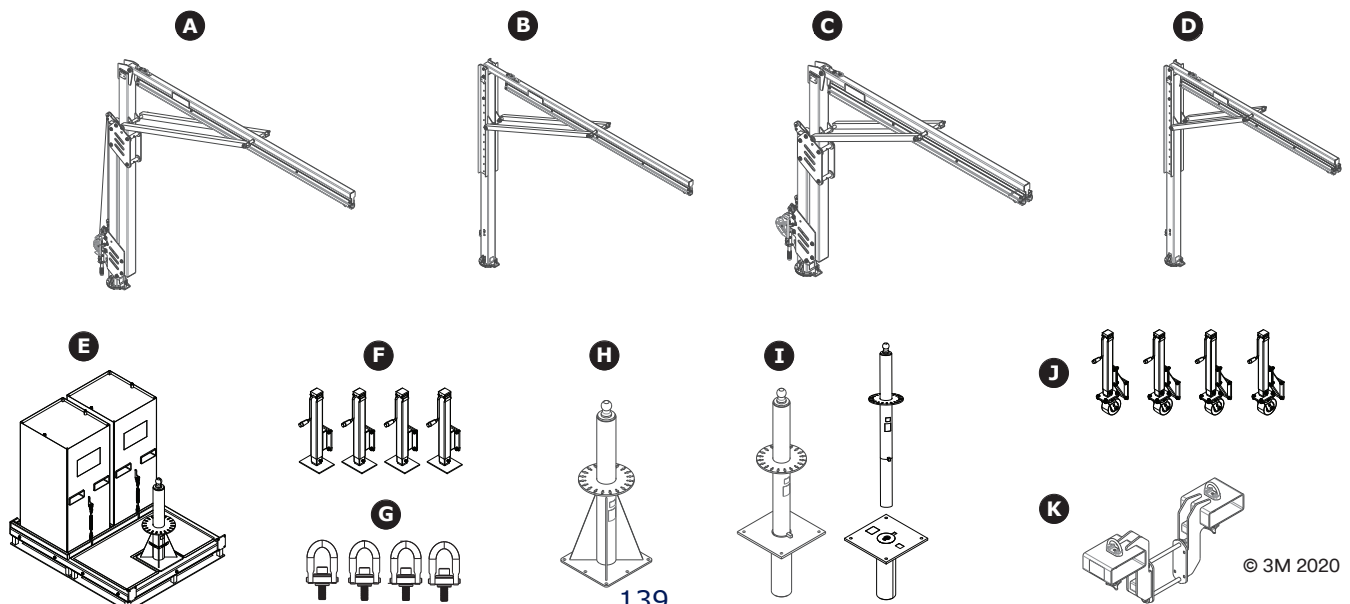


**3M™ DBI-SALA® Flexiguard™
Modulaire kraansystemen
M200**

Valbescherming

**Technisch gegevensbladpakket
5908526 herz. C**

Referentieletter	Technisch gegevensblad	Omschrijving	Pagina
A	8530891	12,3 ft.-15 ft. (3,8 m-4,6 m) kraan verstelbaar	140
	8530892	14,8 ft.-20 ft. (4,5 m-6,1 m) kraan verstelbaar	140
	8530893	17,3 ft.-25 ft. (5,3 m-7,6 m) kraan verstelbaar	140
	8530894	19,8 ft.-30 ft. (6,1 m-9,1 m) kraan verstelbaar	140
B	8530899	15 ft.-20 ft. (4,6 m-6,1 m) kraan halfvast	142
	8530900	20 ft.-25 ft. (6,1 m-7,6 m) kraan halfvast	142
	8530901	25 ft.-30 ft. (7,6 m-9,1 m) kraan halfvast	142
C	8530895	12,3 ft.-15 ft. (3,8 m-4,6 m) kraan verstelbaar	144
	8530896	14,8 ft.-20 ft. (4,5 m-6,1 m) kraan verstelbaar	144
	8530897	17,3 ft.-25 ft. (5,3 m-7,6 m) kraan verstelbaar	144
	8530898	19,8 ft.-30 ft. (6,1 m-9,1 m) kraan verstelbaar	144
D	8530902	15 ft.-20 ft. (4,6 m-6,1 m) kraan halfvast	146
	8530903	20 ft.-25 ft. (6,1 m-7,6 m) kraan halfvast	146
	8530904	25 ft.-30 ft. (7,6 m-9,1 m) kraan halfvast	146
E	8530886	Ongevulde contragewichtbasis	148
	8530887	Gevulde contragewichtbasis	148
F	8530907	Krikken contragewichtbasis	150
G	8530777	Hijsringen contragewichtbasis	150
H	8530888	Basis voor vloermontage	152
I	8530889, 8530920, 8530921	Inbouwbasis	153
J	8530908	Wielen contragewichtbasis	150
K	8530912	Vorkopeningsset	155



Modulaire kraanarm verstelbaar

TECHNISCH GEGEVENSBLAD: 8530891-8530894




Fall Protection

TOEPASSING:


De M200 modulaire kraanarm is ontworpen om ankerverbindingpunten te bieden voor een valbeveiligingssysteem.

Raadpleeg voor meer informatie over installatie van het product de instructiehandleiding van 3M voor de M200-kraanarm (5908372).

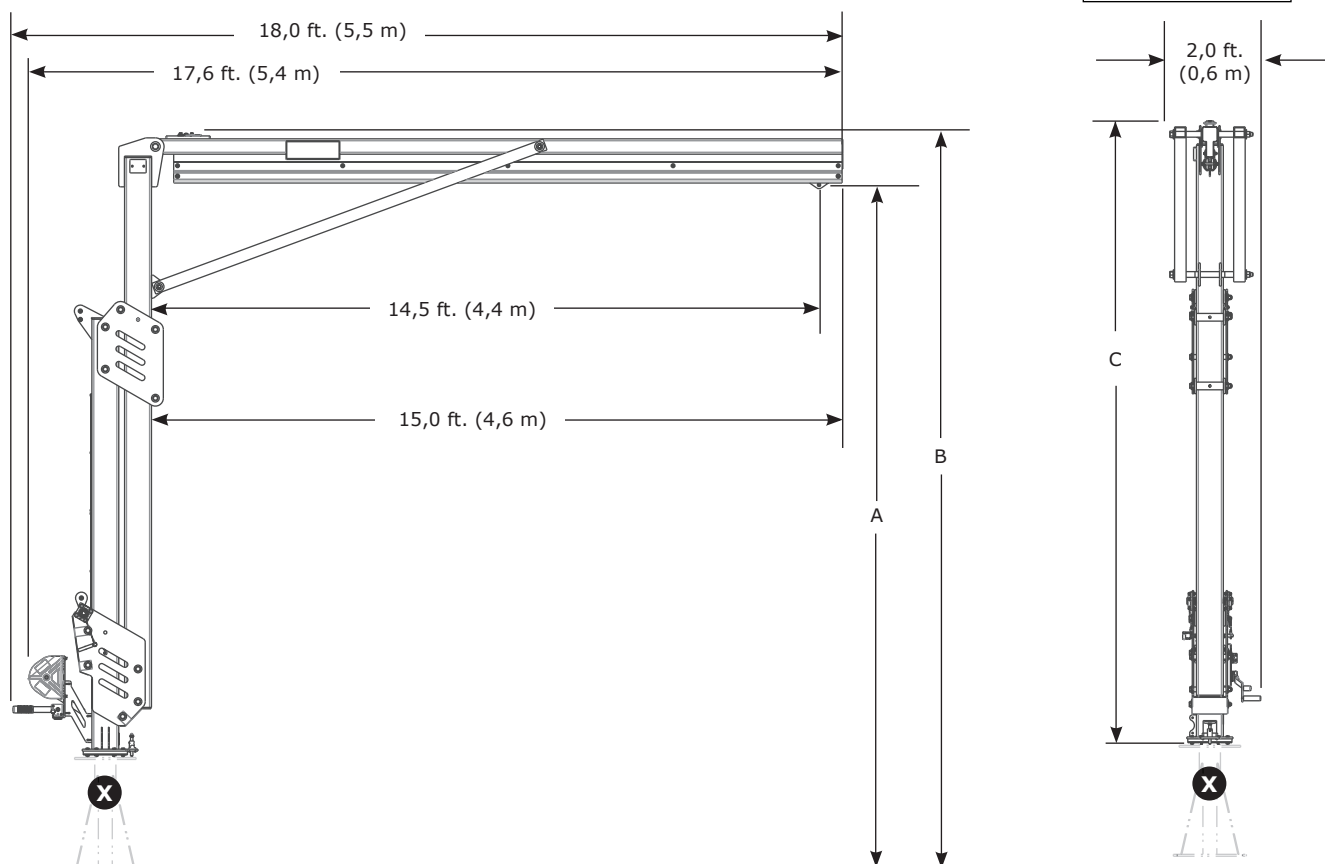
Normen: EN795:2012 type E, OSHA 1910.140, OSHA 1926.502



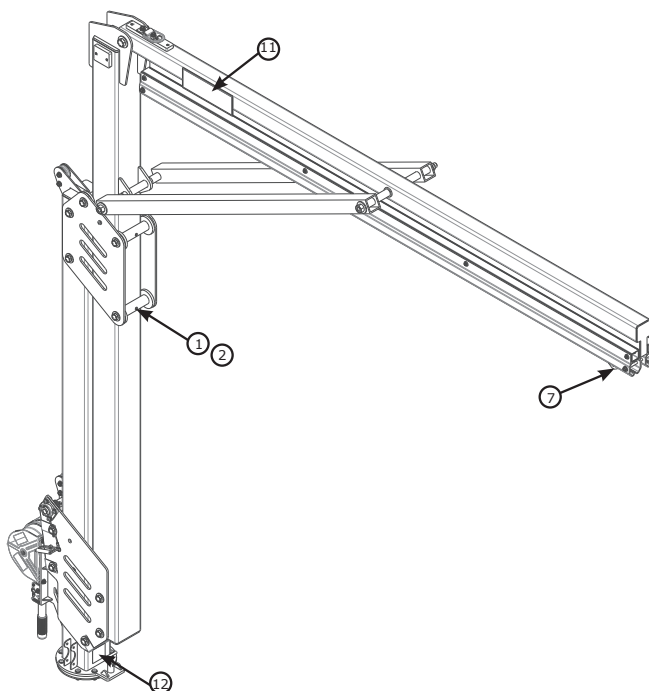
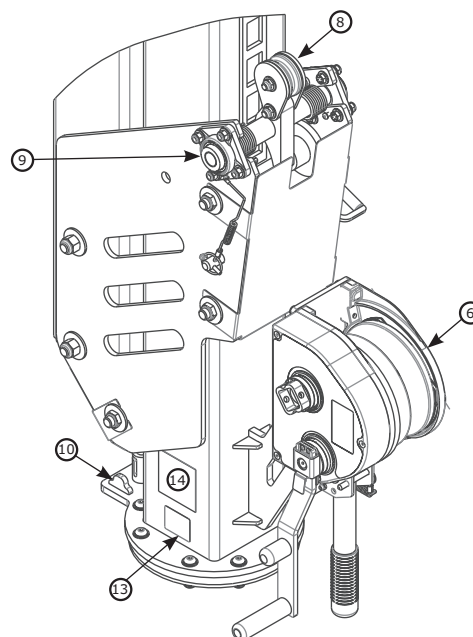
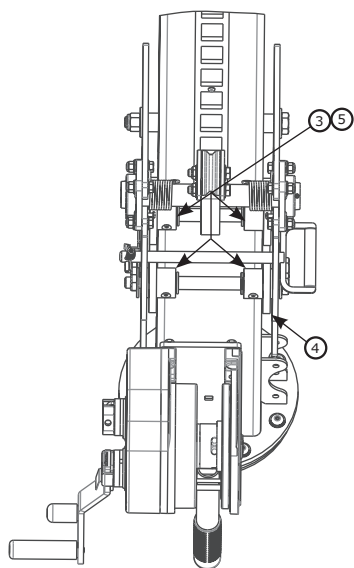
≤ 1350 lb.
(6 kN)



1x ≤ 310 lb.
(140 kg)



	A	B	C	lb. (kg)
8530891	12,3 ft. - 15,0 ft. (3,8 m - 4,6 m)	13,4 ft. - 16,1 ft. (4,1 m - 4,9 m)	9,8 ft. - 14,8 ft. (3,0 m - 4,5 m)	945 lb. (429 kg)
8530892	14,8 ft. - 20,0 ft. (4,5 m - 6,1 m)	15,9 ft. - 21,1 ft. (4,8 m - 6,4 m)	13,5 ft. - 18,7 ft. (4,1 m - 5,7 m)	1.057 lb. (479 kg)
8530893	17,3 ft. - 25,0 ft. (5,3 m - 7,6 m)	18,4 ft. - 26,1 ft. (5,6 m - 8,0 m)	16,0 - 23,7 ft. (4,9 m - 7,2 m)	1.169 lb. (530 kg)
8530894	19,8 ft. - 30,0 ft. (6,0 m - 9,1 m)	20,9 ft. - 31,1 ft. (6,4 m - 9,5 m)	18,5 ft. - 28,7 ft. (5,6 m - 8,7 m)	1.281 lb. (581 kg)



Componentenlijst				
	Artikel-nummer	Omschrijving	Materiaal	Aantal
①	8550046	Brede roller	Nylon	4
②	8550047	Afstandhouder brede roller	304 roestvrij staal	4
③	8550327	Smalle roller	Nylon	4
④	9514703	Zijroller	Nylon	12
⑤	8550213	Afstandhouder smalle roller	304 roestvrij staal	4
⑥	8549930	Lier	Staal	1
⑦	8521711	Trolley	Staal, nylon	1

Componentenlijst				
	Artikel-nummer	Omschrijving	Materiaal	Aantal
⑧	8550223	Vergrendelingsmechanisme (alleen gemachtigde reparatie)	Staal, nylon	1
⑨	9515138	Lagers	Staal	2
⑩	8550125	Rotatieblokkering	Staal	2
⑪	9515111	3M-label	Polyester	2
⑫	9515101	Rotatielabel	Polyester	1
⑬	9514429	ID-label	Polyester	1
⑭	9515112	Gebruikerslabel	Polyester	1

Modulaire kraanarm halfvast

TECHNISCH GEGEVENSBLAD: 8530899-8530901




Fall Protection

TOEPASSING:


De M200 modulaire kraanarm is ontworpen om ankerverbindingpunten te bieden voor een valbeveiligingssysteem.

Raadpleeg voor meer informatie over installatie van het product de instructiehandleiding van 3M voor de M200-kraanarm (5908372).

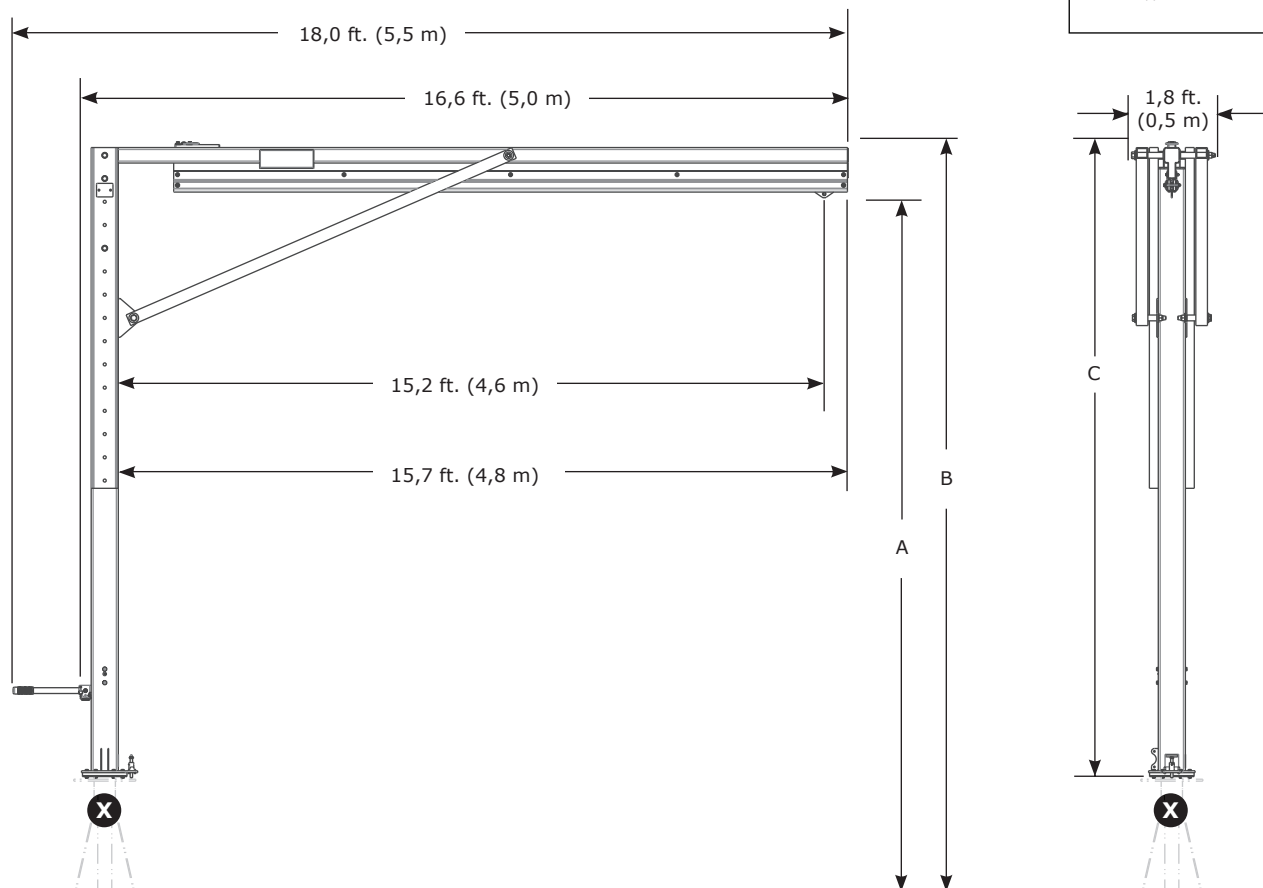
Normen: EN795:2012 type E, OSHA 1910.140, OSHA 1926.502.



≤ 1350 lb.
(6 kN)



1x ≤ 310 lb.
(140 kg)



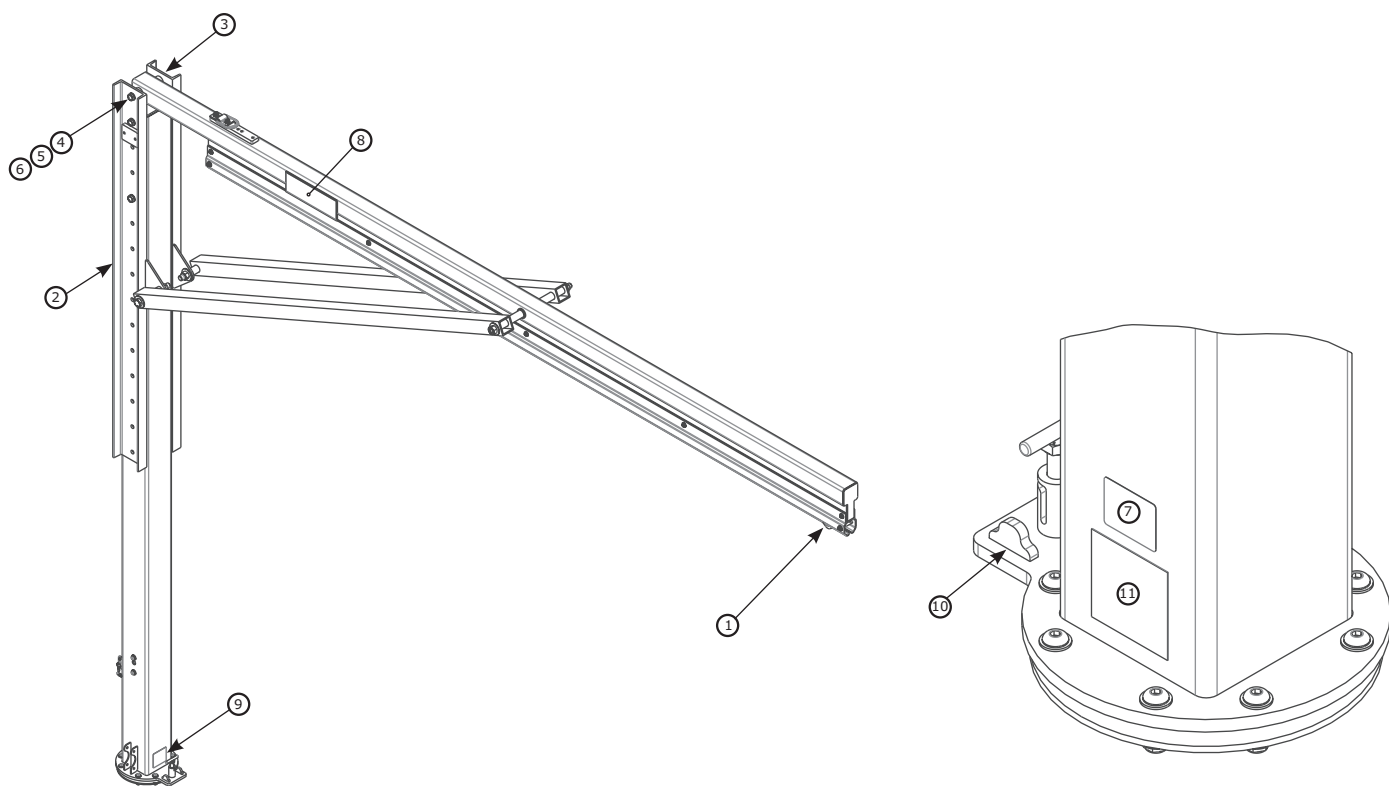
	A	B	C	lb. (kg)
8530899	15,0 ft. - 20,0 ft. (4,6 m - 6,1 m)	16,1 ft. - 21,1 ft. (4,9 m - 6,4 m)	13,7 ft. - 18,7 ft. (4,2 m - 5,7 m)	818 lb. (371 kg)
8530900	20,0 ft. - 25,0 ft. (6,1 m - 7,6 m)	21,1 ft. - 26,1 ft. (6,4 m - 7,9 m)	18,7 ft. - 23,7 ft. (5,7 m - 7,2 m)	930 lb. (422 kg)
8530901	25,0 ft. - 30,0 ft. (7,6 m - 9,1 m)	26,1 ft. - 31,1 ft. (7,9 m - 9,6 m)	23,7 ft. - 28,7 ft. (7,2 m - 8,7 m)	1.041 lb. (472 kg)
+6" (152 mm) aanpassingsstappen				

Onderdelen modulaire kraanarm halfvast

TECHNISCH GEGEVENSBLAD: 8530899-8530901



Fall Protection



	Artikelnummer	Omschrijving	Materiaal	Aantal
①	8521711	Trolley	Roestvrij staal, staal, nylon	1
②	8549933	Reddingsbevestigingsprofiel	Staal	1
③	8550248	Kanaal	Staal	1
④	8526654	3/4" x 9" Bout	Staal	2
⑤	8522275	3/4" Sluitring	Staal	4
⑥	8518276	3/4" Moer	Staal	2
⑦	9514429	ID-label	Polyester	1

	Artikelnummer	Omschrijving	Materiaal	Aantal
⑧	9515111	3M-label	Polyester	2
⑨	9515101	Rotatielabel	Polyester	1
⑩	8550125	Rotatieblokkering	Staal	2
⑪	9515112	Gebruikerslabel	Polyester	1

Modulaire kraanarm verstelbaar

TECHNISCH GEGEVENSBLAD: 8530895-8530898



Fall Protection

TOEPASSING:

De M200 modulaire kraanarm is ontworpen om ankerverbindingpunten te bieden voor een valbeveiligingssysteem.

Raadpleeg voor meer informatie over installatie van het product de instructiehandleiding van 3M voor de M200-kraanarm (5908372).

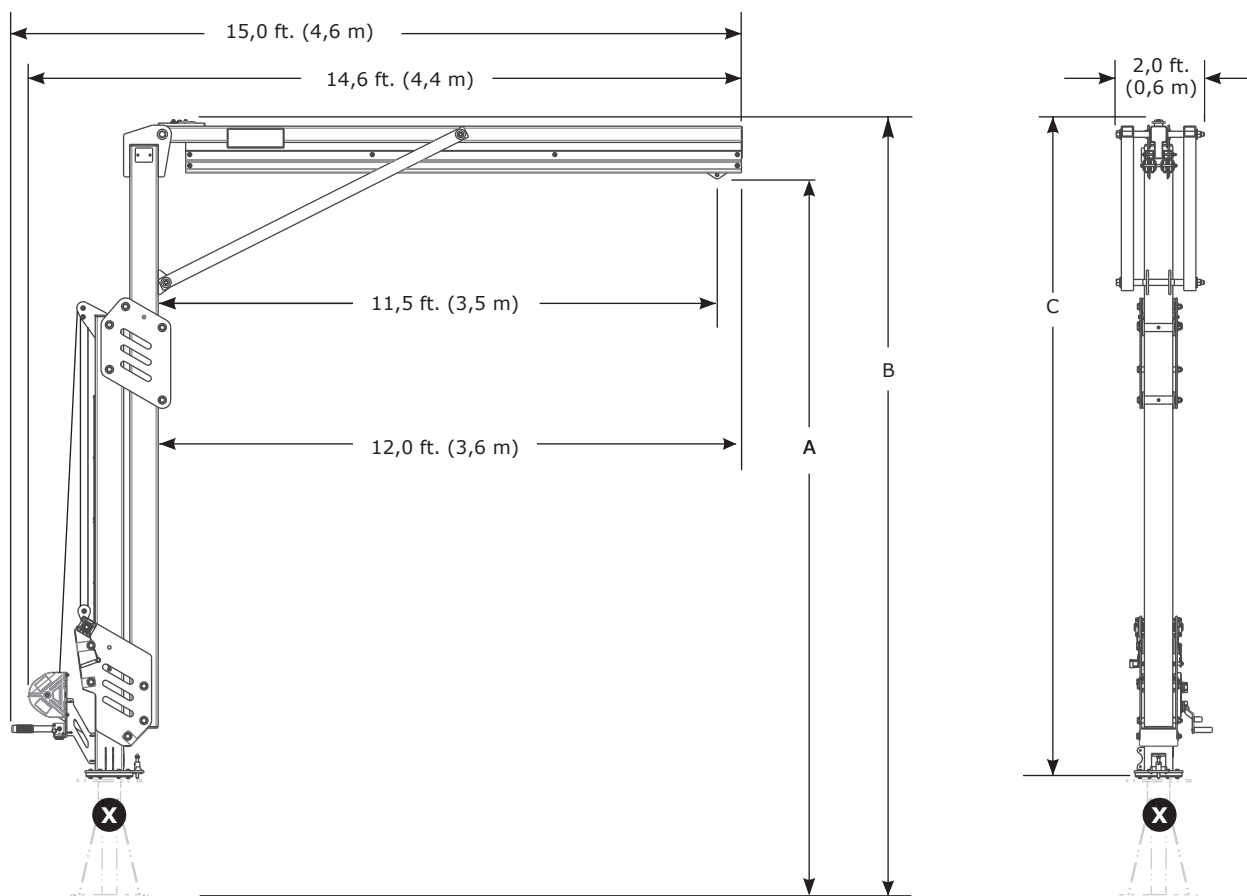
Normen: CEN/TS 16415:2013 type E, EN795:2012 type E, OSHA 1910.140, OSHA 1926.502



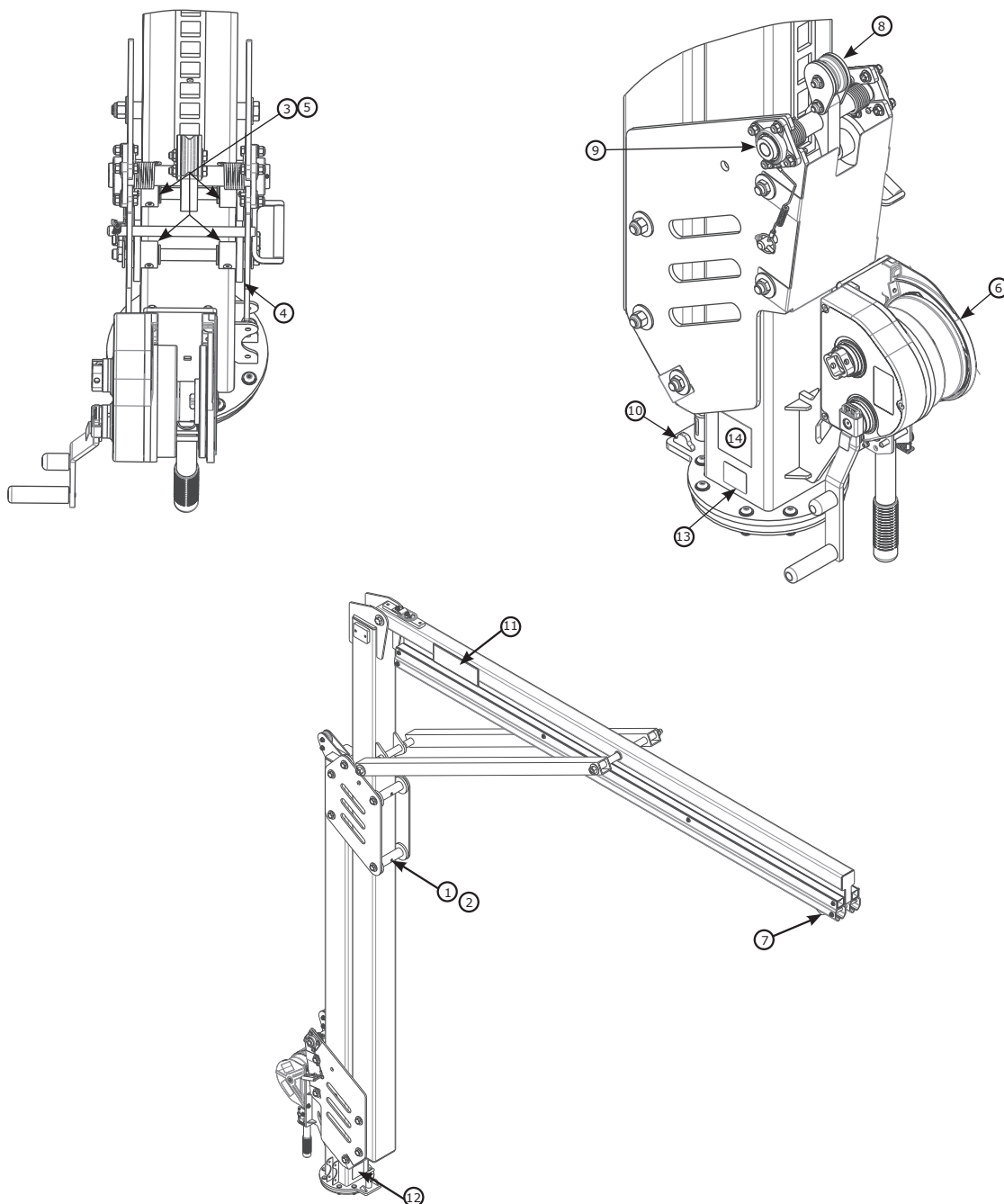
≤ 1350 lb.
(6 kN)



2x ≤ 310 lb.
(140 kg)



	A	B	C	lb. (kg)
8530895	12,3 ft. - 15,0 ft. (3,8 m - 4,6 m)	13,4 ft. - 16,1 ft. (4,1 m - 4,9 m)	11,0 ft. - 13,7 ft. (3,4 m - 4,2 m)	1.011 lb. (459 kg)
8530896	14,8 ft. - 20,0 ft. (4,5 m - 6,1 m)	15,9 ft. - 21,1 ft. (4,8 m - 6,4 m)	13,5 ft. - 18,7 ft. (4,1 m - 5,7 m)	1.123 lb. (509 kg)
8530897	17,3 ft. - 25,0 ft. (5,3 m - 7,6 m)	18,4 ft. - 26,1 ft. (5,6 m - 8,0 m)	16,0 - 23,7 ft. (4,9 m - 7,2 m)	1.235 lb. (560 kg)
8530898	19,8 ft. - 30,0 ft. (6,0 m - 9,1 m)	20,9 ft. - 31,1 ft. (6,4 m - 9,5 m)	18,5 ft. - 28,7 ft. (5,6 m - 8,7 m)	1.343 lb. (609 kg)



Componentenlijst				
	Artikel-nummer	Omschrijving	Materiaal	Aantal
①	8550046	Brede roller	Nylon	4
②	8550047	Brede roller Afstandhouder	304 roestvrij staal	4
③	8550327	Smalle roller	Nylon	4
④	9514703	Zijroller	Nylon	12
⑤	8550213	Afstandhouder smalle roller	304 roestvrij staal	4
⑥	8549930	Lier	Staal	1
⑦	8521711	Trolley	Staal, nylon	1

Componentenlijst				
	Artikel-nummer	Omschrijving	Materiaal	Aantal
⑧	8550223	Vergrendelingsme- chanisme (alleen ge- machtigde reparatie)	Staal, nylon	1
⑨	9515138	Lagers	Staal	2
⑩	8550125	Rotatieblokkering	Staal	2
⑪	9515111	3M-label	Polyester	2
⑫	9515101	Rotatielabel	Polyester	1
⑬	9514429	ID-label	Polyester	1
⑭	9515112	Gebruikerslabel	Polyester	1

Modulaire kraanarm halfvast

TECHNISCH GEGEVENSBLAD: 8530902-8530904



Fall Protection

TOEPASSING:

De M200 modulaire kraanarm is ontworpen om ankerverbindingpunten te bieden voor een valbeveiligingssysteem.

Raadpleeg voor meer informatie over installatie van het product de instructiehandleiding van 3M voor de M200-kraanarm (5908372).

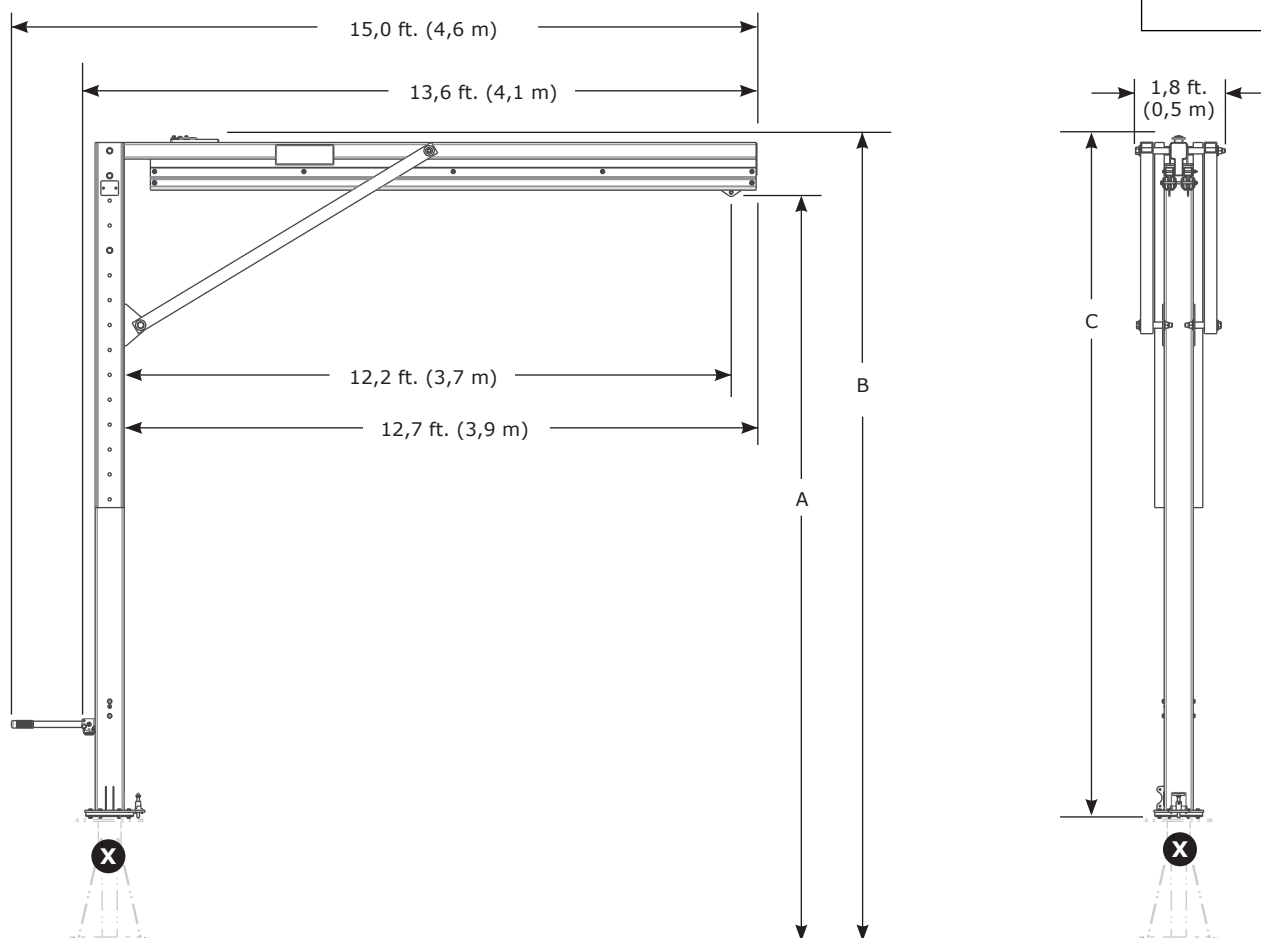
Normen: CEN/TS 16415:2013 type E, EN795:2012 type E, OSHA 1910.140, OSHA 1926.502



≤ 1350 lb.
(6 kN)



2x ≤ 310 lb.
(140 kg)



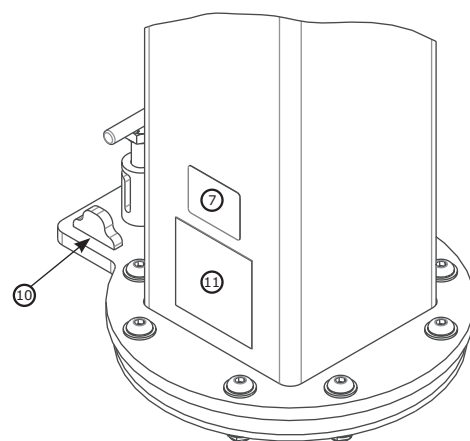
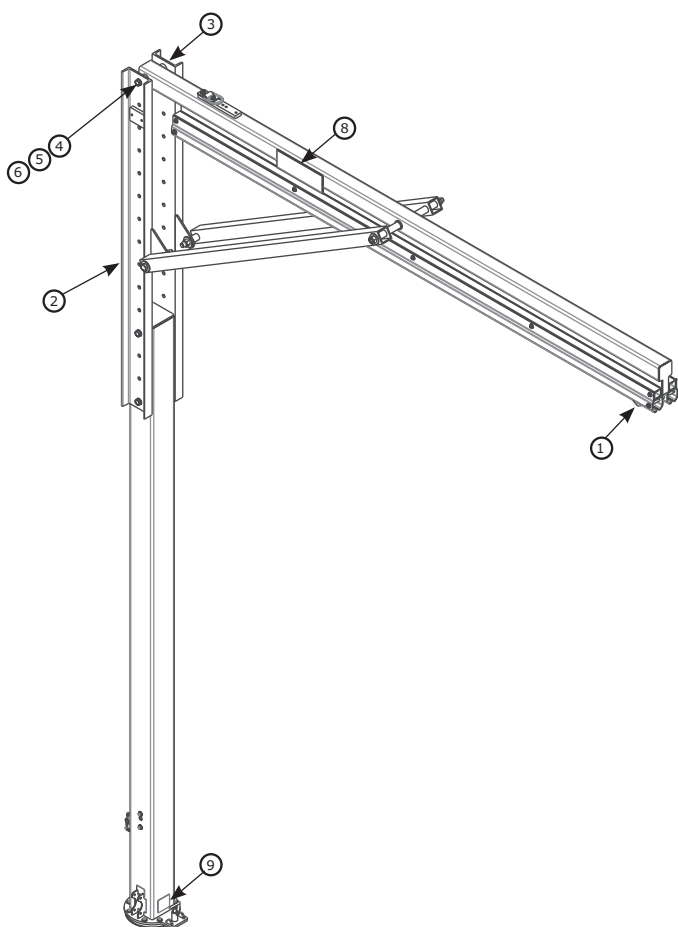
	A	B	C	lb. (kg)
8530902	15,0 ft. - 20,0 ft. (4,6 m - 6,1 m)	16,1 ft. - 21,1 ft. (4,9 m - 6,4 m)	13,7 ft. - 18,7 ft. (4,2 m - 5,7 m)	850 lb. (386 kg)
8530903	20,0 ft. - 25,0 ft. (6,1 m - 7,6 m)	21,1 ft. - 26,1 ft. (6,4 m - 7,9 m)	18,7 ft. - 23,7 ft. (5,7 m - 7,2 m)	961 lb. (436 kg)
8530904	25,0 ft. - 30,0 ft. (7,6 m - 9,1 m)	26,1 ft. - 31,1 ft. (7,9 m - 9,6 m)	23,7 ft. - 28,7 ft. (7,2 m - 8,7 m)	1.073 lb. (487 kg)

Onderdelen modulaire kraanarm halfvast

TECHNISCH GEGEVENSBLAD: 8530902-8530904



Fall Protection



	Artikel-nummer	Omschrijving	Materiaal	Aantal
①	8521711	Trolley	Roestvrij staal, staal, nylon	1
②	8549933	Reddingsbevestigingsprofiel	Staal	1
③	8550248	Kanaal	Staal	1
④	8526654	3/4" x 9" Bout	Staal	2
⑤	8522275	3/4" Sluiring	Staal	4
⑥	8518276	3/4" Moer	Staal	2
⑦	9514429	ID-label	Polyester	1

	Artikel-nummer	Omschrijving	Materiaal	Aantal
⑧	9515111	3M-label	Polyester	2
⑨	9515101	Rotatielabel	Polyester	1
⑩	8550125	Rotatieblokkering	Staal	2
⑪	9515112	Gebruikerslabel	Polyester	1

M200-contragewichtbasis

TECHNISCH GEGEVENSBLAD: 8530886, 8530887



Fall Protection

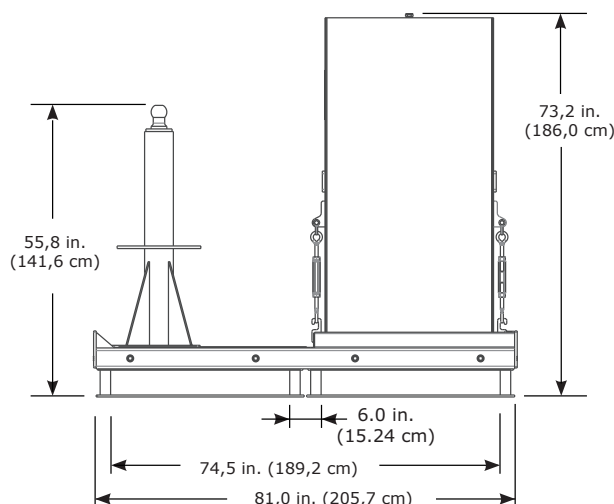
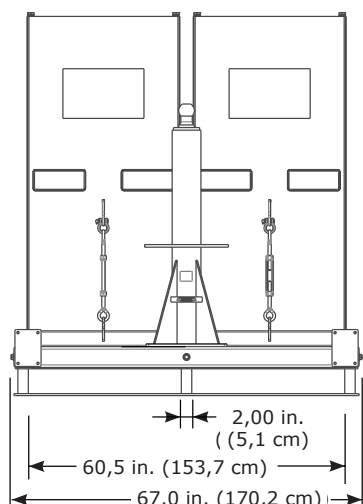
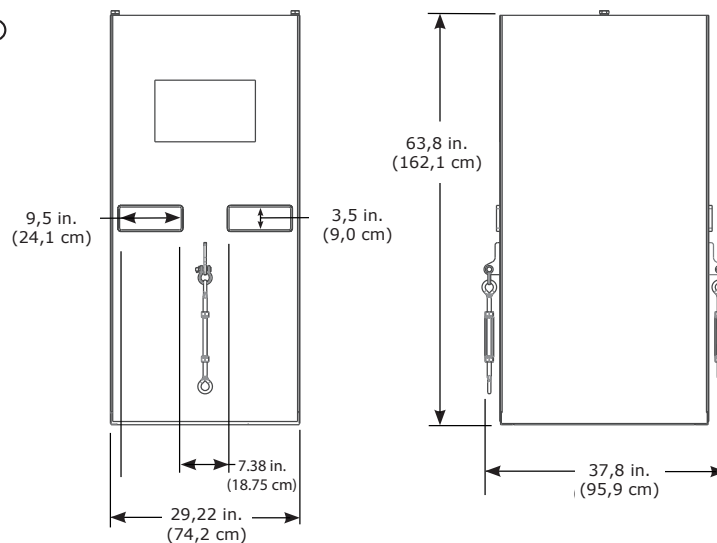
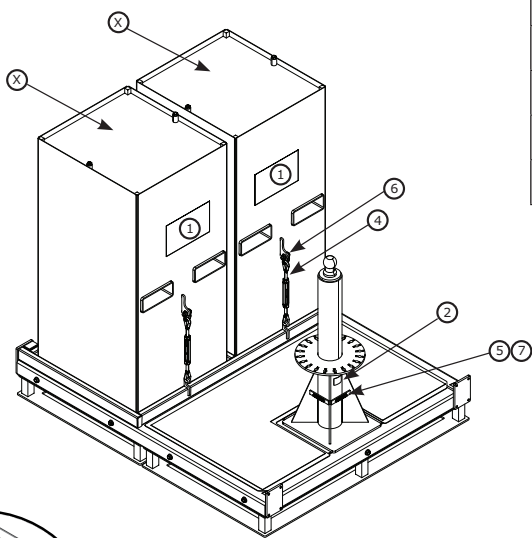
TOEPASSING:

De contragewichtbasis is ontworpen om gevuld te worden met beton en te worden gebruikt als montagepunt voor 3M™ DBI-SALA® Flexiguard™ modulair kraansysteem M200.

Raadpleeg voor meer informatie over installatie van het product de instructiehandleiding van 3M voor de M200-betonbasis (5908374).

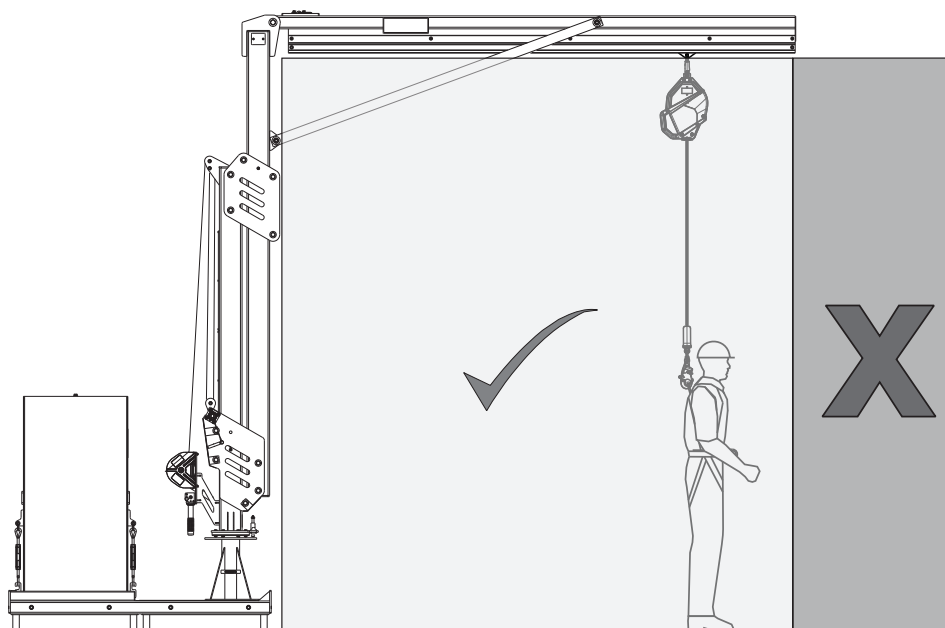
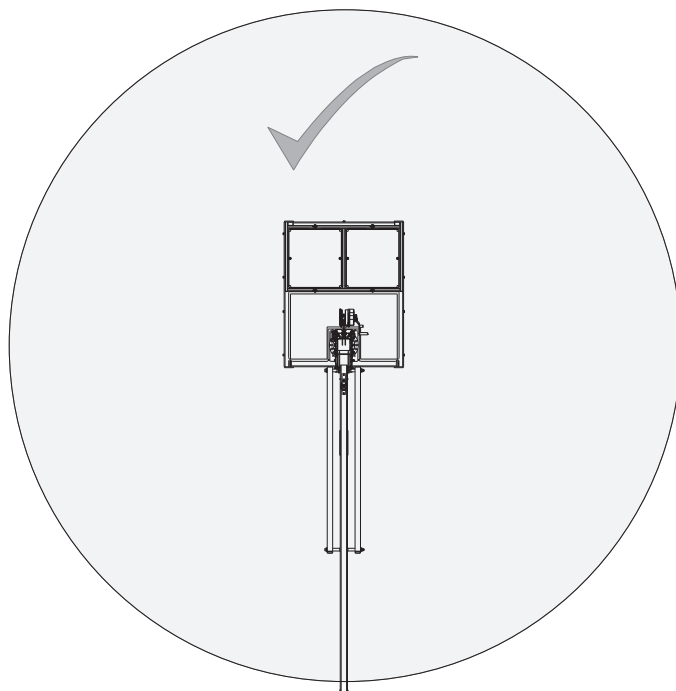
Normen: CEN/TS 16415:2013 type E, EN795:2012 type E, OSHA 1910.140, OSHA 1926.502

	X 4.000 psi (30 MPa)	Vereisten voor steun- constructie	Nettogewicht	Componentenlijst				
				Artikel- nummer	Omschrij- ving	Materi- aal	Aantal	
8530886		14.645 lb. (6.643 kg)	2.407 lb. (1.092 kg)	①	9515107	Gebruikersla- bel	Polyester	1
8530887	✓	+ gewicht van M200-kraan	11.325 pond (5.137 kg)	②	9514429	ID-label	Polyester	1
				③	9515106	Waarschu- wingsetiket	Polyester	1
				④	8520575	Spanschroef	Staal	2
				⑤	9513627	Schroef nr. 4	Staal	4
				⑥	9501794	Sluiting	Staal	2
				⑦	9515058	Waterpas	Kunststof	2



TOEPASSING:

Raadpleeg het onderstaande diagram voor het werkgebied van de M200-betonbasis.



Accessoires voor M200-contragewichtbasis

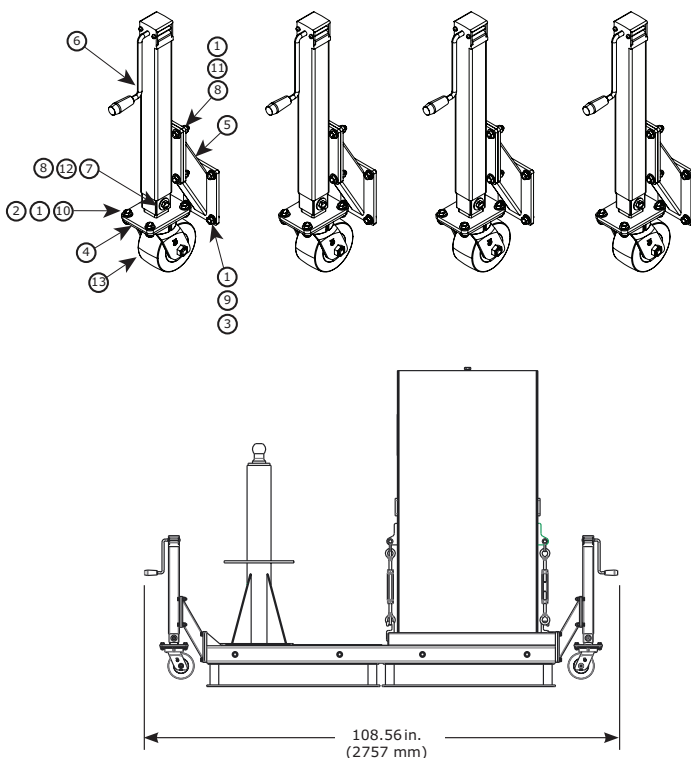
TECHNISCH GEGEVENSBLAD: 8530908, 8530907, 8530777



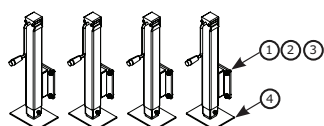
Fall Protection

	Gewicht
8530908	152 lb. (69 kg)

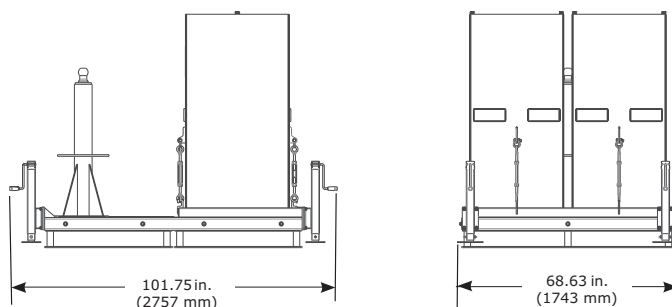
Componentenlijst				
	Artikel-nummer	Omschrijving	Materiaal	Aantal
①	8510037	1/2" Sluistring	Staal	80
②	8512460	1/2" x 1 1/4" Bout	Staal	16
③	8518432	1/2" x 1" Bout	Staal	16
④	8550153	Wiellas	Staal	4
⑤	8550155	Hoeklas	Staal	4
⑥	8550156	Gemonteerde las	Staal	4
⑦	9501243	1/2" Sluistring	Staal	8
⑧	9501831	1/2" Zeskantmoer	Staal	20
⑨	9504221	1/2" Sluistring	Staal	16
⑩	9504813	1/2" Zeskantmoer	Staal	16
⑪	9509276	1/2" x 1 3/4" Bout	Staal	16
⑫	9510153	1/2" x 3 1/4" Bout	Staal	4
⑬	9515081	Zwenkwiel	Staal, urethaan	4



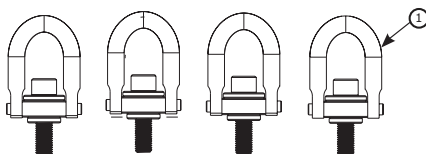
	Gewicht
8530907	108 lb. (49 kg)



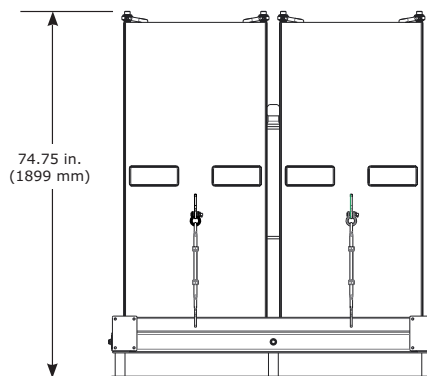
	Artikel-nummer	Omschrijving	Materiaal	Aantal
①	9504221	1/2" Borgsluistring	Staal	16
②	8510037	1/2" Sluistring	Staal	16
③	8518432	1/2" x 1" Bout	Staal	16
④	8550177	Wiellas	Staal	4



	Gewicht
8530777	12 lb. (5,4 kg)



Componentenlijst				
	Artikel-nummer	Omschrijving	Materiaal	Aantal
①	9512574	Hijsring	Staal	4




Zwaartepunt M200-contragewichtbasis

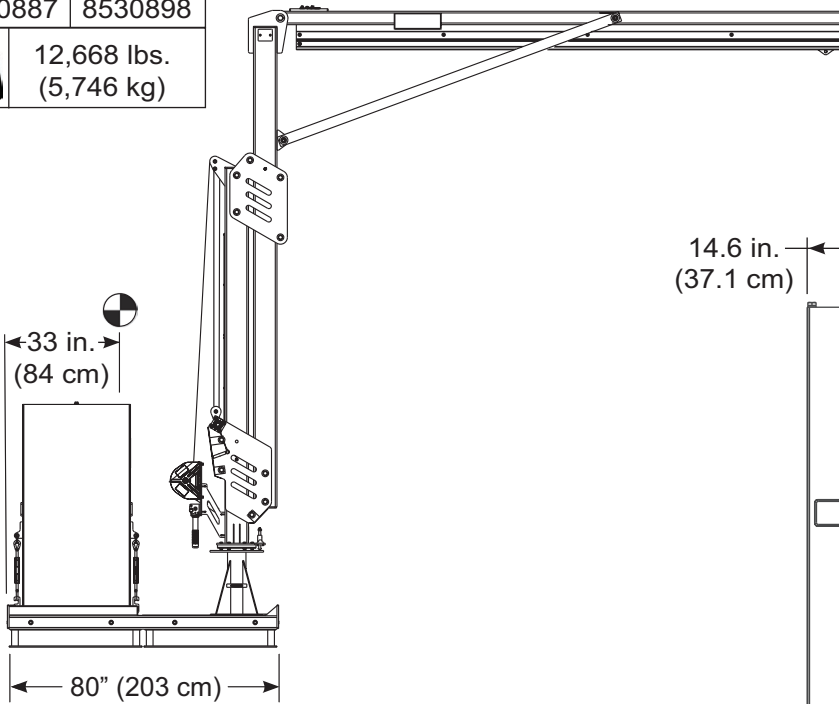
TECHNISCH GEGEVENSBLAD: 8530886, 8530887




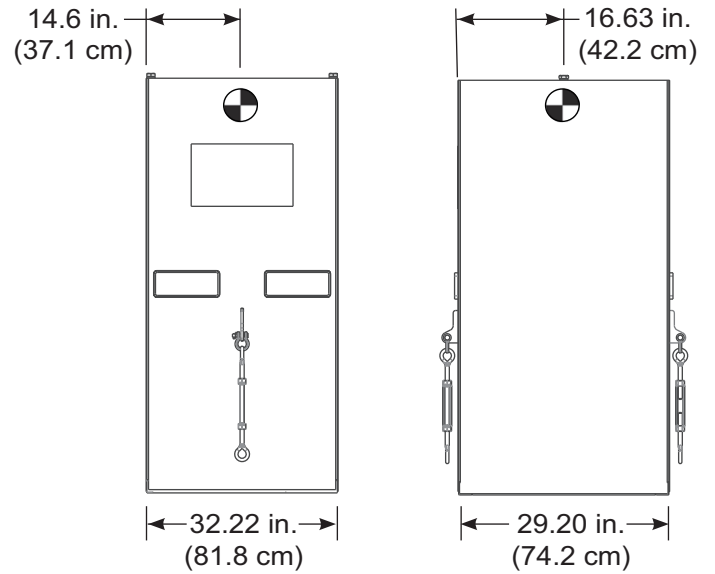
Fall Protection

8530887	8530898
---------	---------

 12,668 lbs. (5,746 kg)

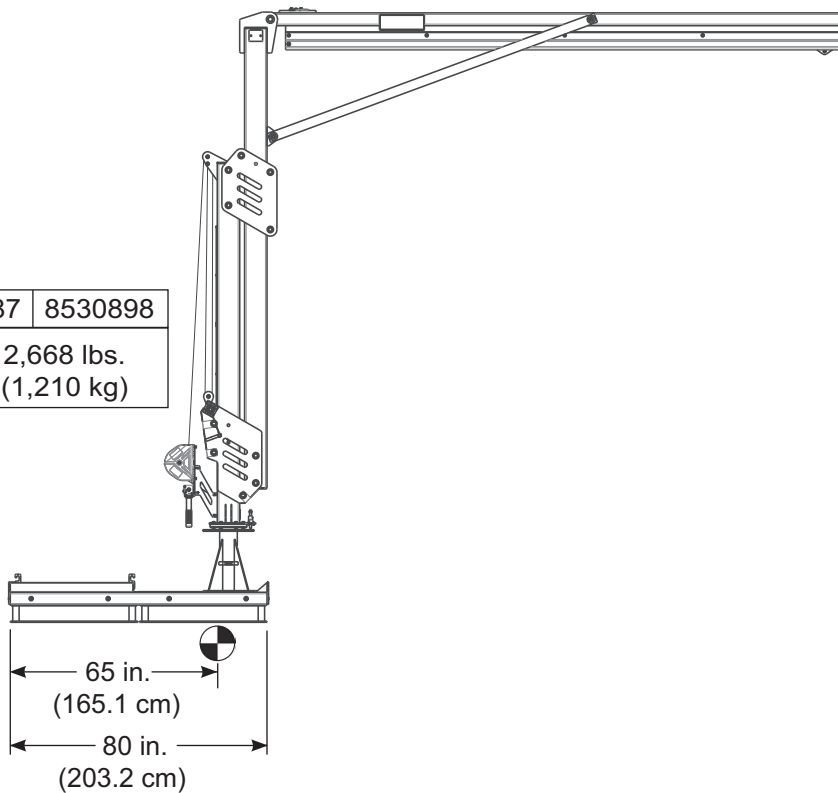


 5,000 lbs. (2,268 kg)
--




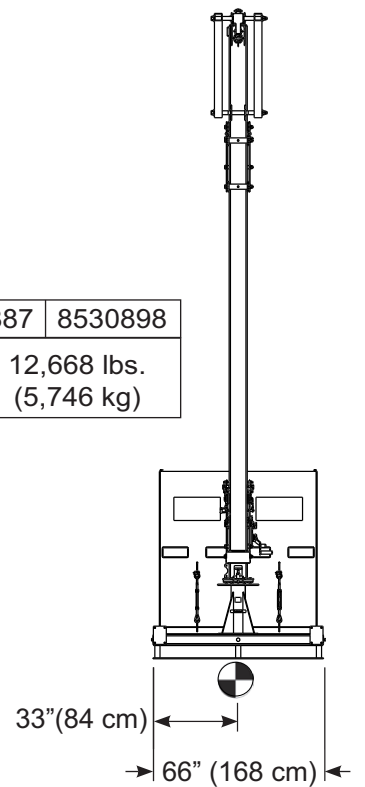
8530887	8530898
---------	---------

 2,668 lbs. (1,210 kg)



8530887	8530898
---------	---------

 12,668 lbs. (5,746 kg)



M200-vloermontagebasis

TECHNISCH GEGEVENSBLAD: 8530888



Fall Protection

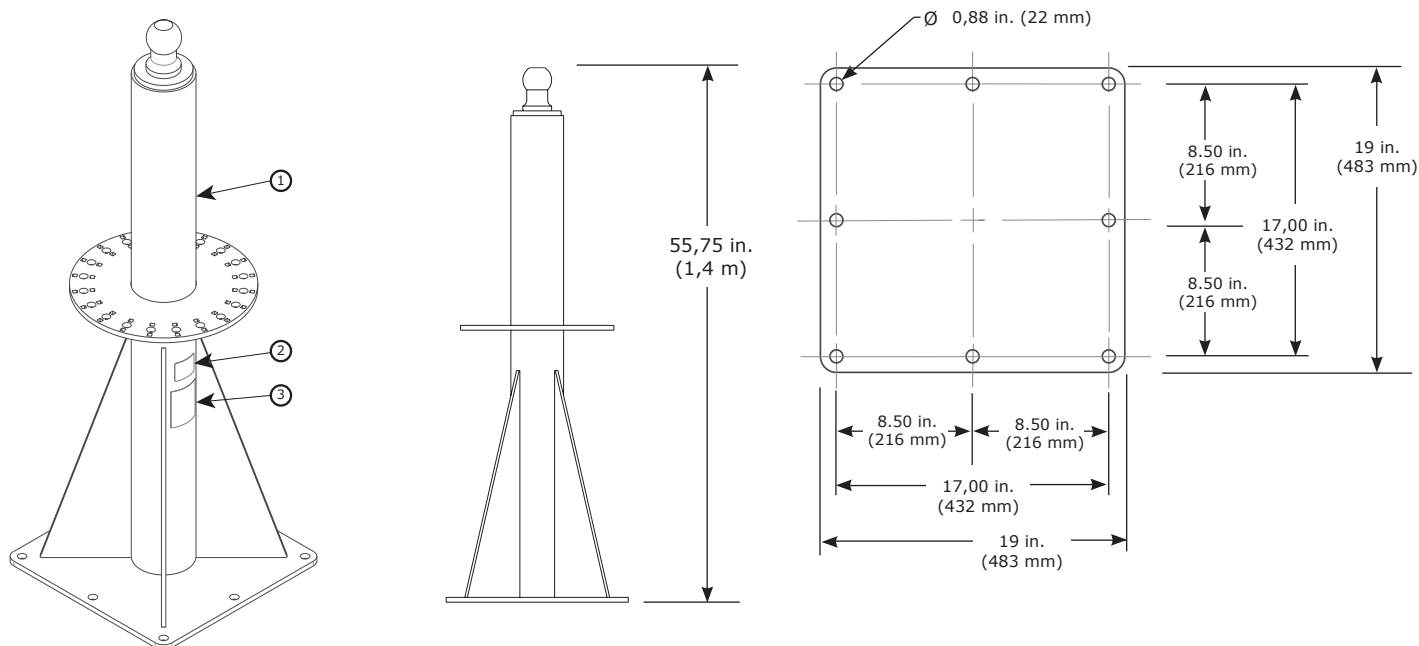
TOEPASSING:

De vloermontagebasis is ontworpen om te worden verankerd aan goedgekeurde constructies en te worden gebruikt als montagepunt voor het door 3M goedgekeurde modulaire kraansysteem M200.

Raadpleeg voor meer informatie over installatie van het product de instructiehandleiding van 3M voor de M200-vloermontagebasis (5908375).

Normen: CEN/TS 16415:2013 type A, EN795:2012 type A, OSHA 1910.140, OSHA 1926.502

	Nettogewicht
8530888	265 lb. (120 kg)



Componentenlijst				
	Artikelnummer	Omschrijving	Materiaal	Aantal
①	8549921	Gelast gedeelte basis	Staal	1
②	9514429	ID-label	Polyester	1
③	9515114	Gebruikerslabel	Polyester	1

Montagevereisten		
Minimum-uittrekkracht bevestigingen	Minimum-momentbelasting montageconstructie	Verticale minimumbelasting montageconstructie
9.386 lb. (4.257 kg)	501.633 in.-lb. (56.677 Nm)	3.320 lb. (1.506 kg) + basisgewicht + gewicht van M200-kraan

M200-inbouwbasis

TECHNISCH GEGEVENSBLAD: 8530889, 8530920, 8530921



Fall Protection

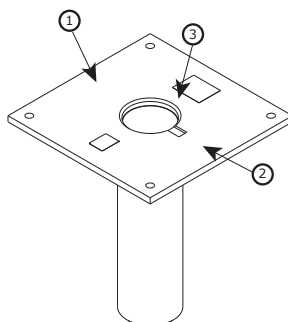
TOEPASSING:

De inbouwbasis is ontworpen om te worden verankerd aan goedgekeurde constructies en te worden gebruikt als montagepunt voor het door 3M goedgekeurde modulaire kraansysteem M200.

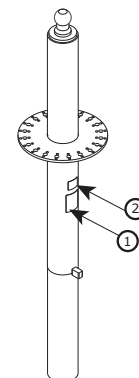
Raadpleeg voor meer informatie over installatie van het product de instructiehandleiding van 3M voor de M200-inbouwbasis (5908375).

Normen: CEN/TS 16415:2013, EN795:2012 type A, OSHA 1910.140, OSHA 1926.502

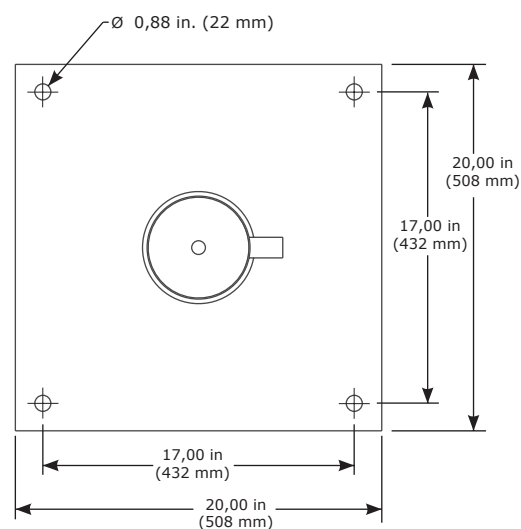
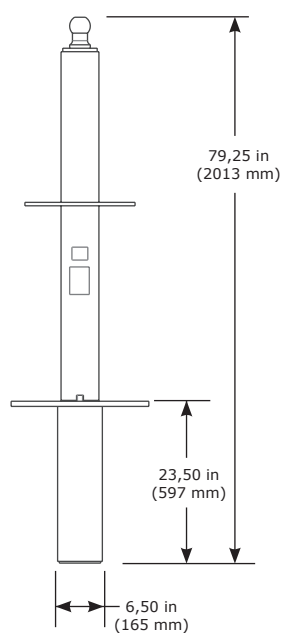
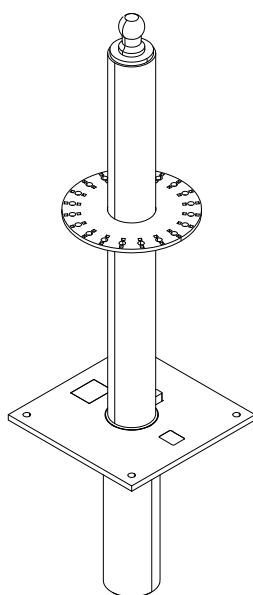
	Nettogewicht
8530920	140 lb. (64 kg)



	Nettogewicht
8530921	237 lb. (107 kg)



	Nettogewicht
8530889	377 lb. (171 kg)

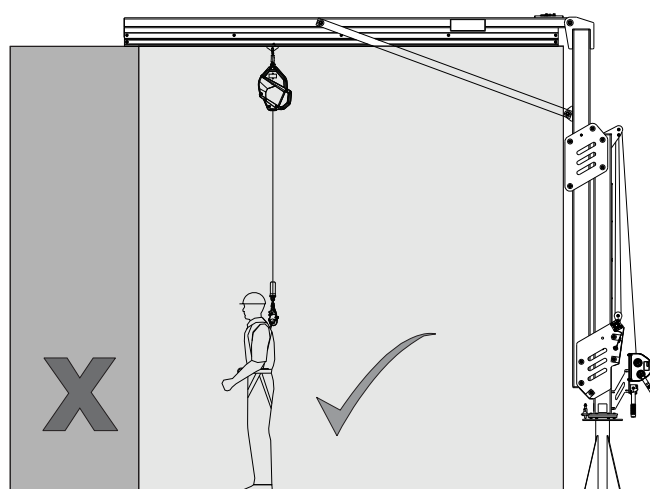
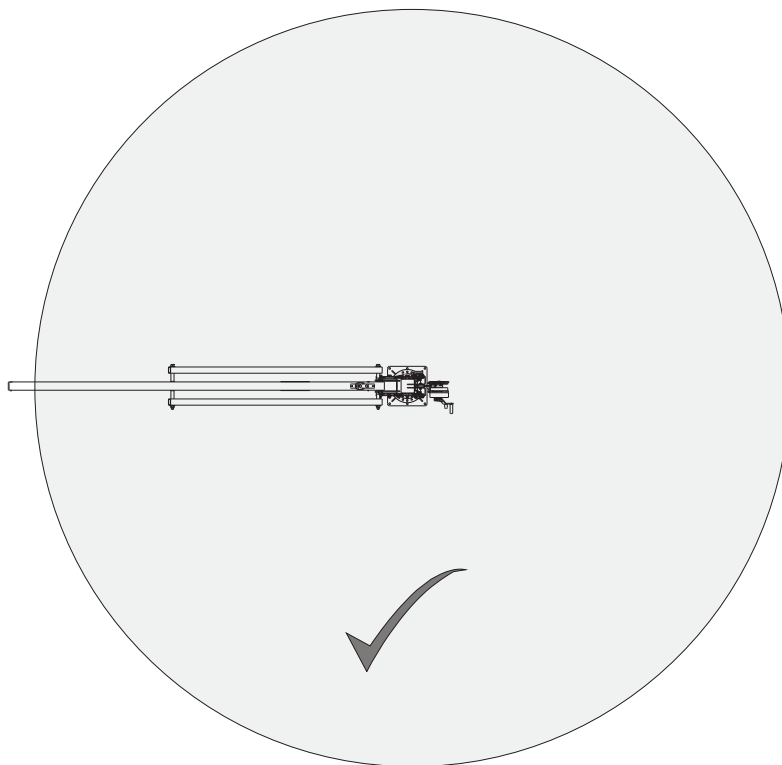


Componentenlijst				
	Artikelnummer	Omschrijving	Materiaal	Aantal
①	9515114	Gebruikerslabel	Polyester	1
②	9514429	ID-label	Polyester	1
③	8550165	Basiskap	Aluminium, rubber	1

Montagevereisten	
Minimum-momentbelasting montageconstructie	Verticale minimumbelasting montageconstructie
501.633 in-lb. (56.677 Nm)	3.320 lb. (1.506 kg) + basisgewicht + gewicht van M200-kraan

TOEPASSING:

Raadpleeg het onderstaande diagram voor het werkgebied van de vloermontagebases.



M200 vloerset voor vorkheftrucks

TECHNISCH GEGEVENSBLAD: 8530912

3M

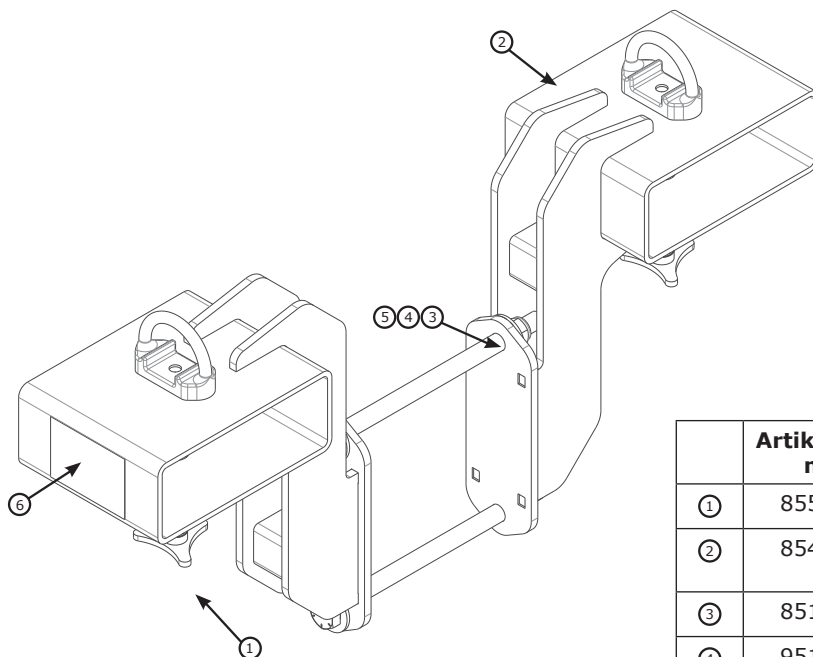
DBI
SALA

Fall Protection

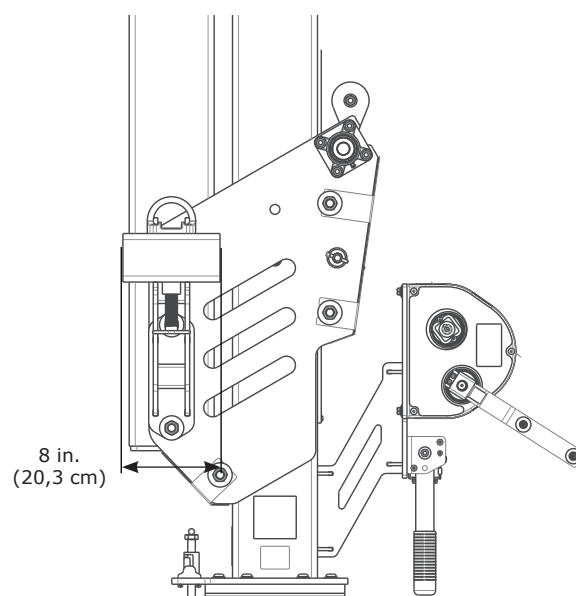
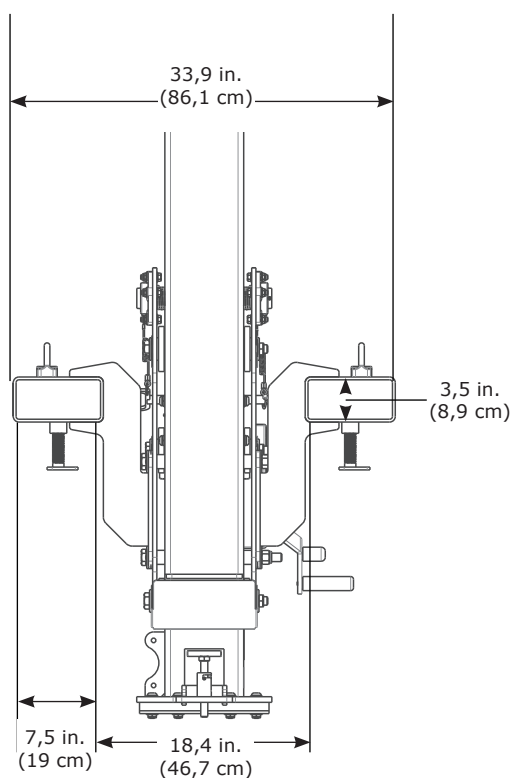
TOEPASSING:

De M200 vloerset voor vorkheftrucks is ontworpen om de verstelbare kraan te vervoeren.

Raadpleeg de vermelde bladen voor specificaties van componenten.



	Artikelnummer	Omschrijving	Aantal
①	8550127	Tri-schroef	2
②	8549905	Lasconstructie vorkopening	2
③	8518276	3/4" Zeskantmoer	2
④	9512004	3/4" X 12" Bout	2
⑤	M970033018	3/4" Sluistring	4
⑥	9515122	Gebruikerslabel	1
	9500146	Schakelketting	2
	8517096	Ketting	10 ft.





Fallsikring

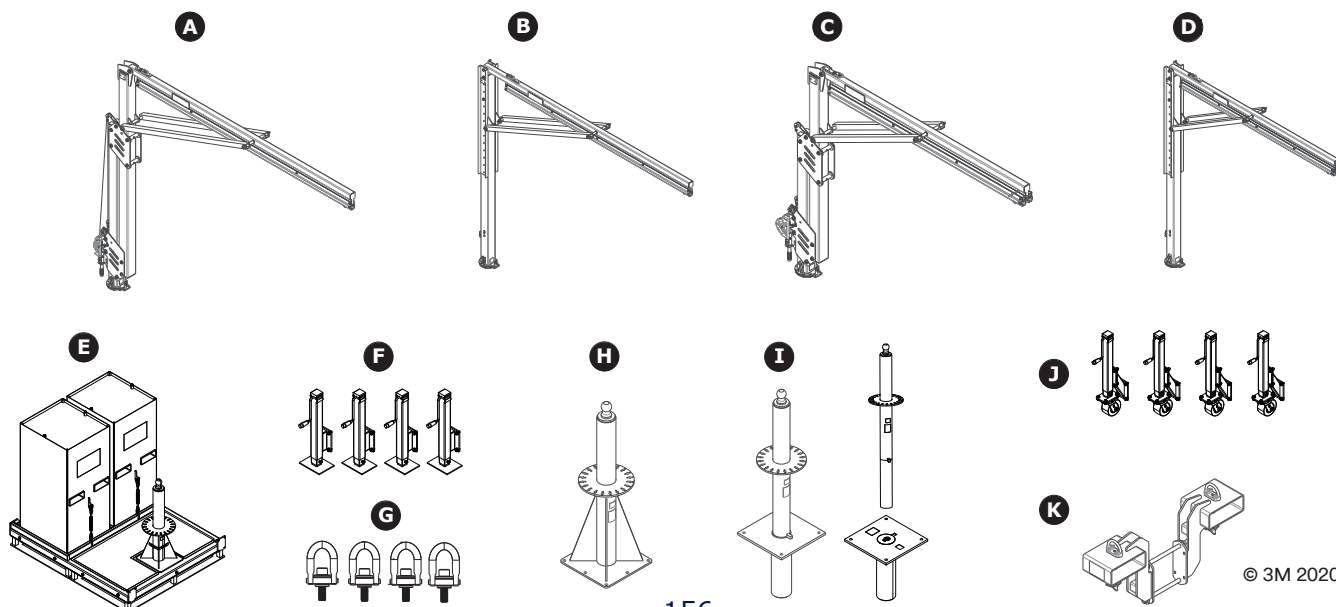


OSHA

**3M™ DBI-SALA® Flexiguard™
Modulære jibbesystemer
M200**

**Pakning med teknisk datablad
5908526 Rev. C**

Forstørring	Teknisk datablad	Beskrivelse	Side
A	8530891	12,3 ft.–15 ft. (3,8 m–4,6 m) jibbearm, justerbar	157
	8530892	14,8 ft.–20 ft. (4,5 m–6,1 m) jibbearm, justerbar	157
	8530893	17,3 ft.–25 ft. (5,3 m–7,6 m) jibbearm, justerbar	157
	8530894	19,8 ft.–30 ft. (6,1 m–9,1 m) jibbearm, justerbar	157
B	8530899	15 ft.–20 ft. (4,6 m–6,1 m) jibbearm, halvfast	159
	8530900	20 ft.–25 ft. (6,1 m–7,6 m) jibbearm, halvfast	159
	8530901	25 ft.–30 m (7,6 m–9,1 m) jibbearm, halvfast	159
C	8530895	12,3 ft.–15 ft. (3,8 m–4,6 m) jibbearm, justerbar	161
	8530896	14,8 ft.–20 ft. (4,5 m–6,1 m) jibbearm, justerbar	161
	8530897	17,3 ft.–25 ft. (5,3 m–7,6 m) jibbearm, justerbar	161
	8530898	19,8 ft.–30 ft. (6,1 m–9,1 m) jibbearm, justerbar	161
D	8530902	15 ft.–20 ft. (4,6 m–6,1 m) jibbearm, halvfast	163
	8530903	20 ft.–25 ft. (6,1 m–7,6 m) jibbearm, halvfast	163
	8530904	25 ft.–30 m (7,6 m–9,1 m) jibbearm, halvfast	163
E	8530886	Ufyldt motveksokkel	165
	8530887	Fyldt motveksokkel	165
F	8530907	Jekker til motveksokkel	167
G	8530777	Løfteringer til motveksokkel	167
H	8530888	Gulvmonteringsokkel	169
I	8530889, 8530920, 8530921	Slett monteringsokkel	170
J	8530908	Hjul til motveksokkel	167
K	8530912	Gaffellommesett	172



Modulær jibbearm, justerbar

TEKNISK DATABLAD: 8530891–8530894



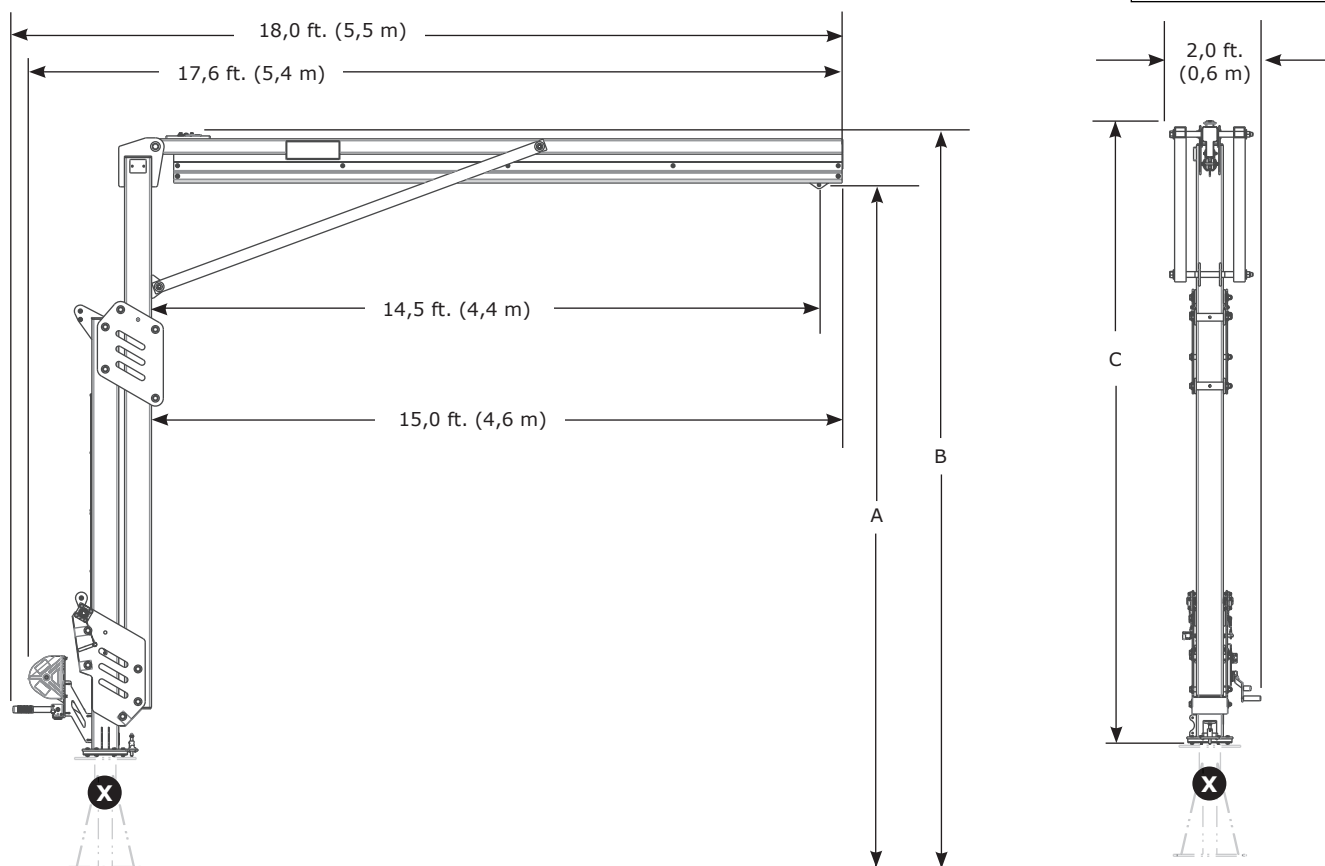
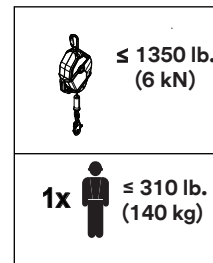
Fallsikring

BRUKSOMRÅDE:

M200 modulær jibbearm er utformet til å gi forankringskoblingsspunkter for et fallsikringssystem.

For mer informasjon om produktinstallasjon, se 3Ms bruksanvisning for M200 jibbearm (5908372).

Standarder: EN795:2012 Type E, OSHA 1910.140, OSHA 1926.502



	A	B	C	lb. (kg)
8530891	12,3 ft. – 15,0 ft. (3,8 m – 4,6 m)	13,4 ft. – 16,1 ft. (4,1 m – 4,9 m)	9,8 ft. – 14,8 ft. (3,0 m – 4,5 ft.)	945 lb. (429 kg)
8530892	14,8 ft. – 20,0 ft. (4,5 m – 6,1 m)	15,9 ft. – 21,1 ft. (4,8 m – 6,4 m)	13,5 ft. – 18,7 ft. (4,1 m – 5,7 m)	1057 lb. (479 kg)
8530893	17,3 ft. – 25,0 ft. (5,3 m – 7,6 m)	18,4 ft. – 26,1 ft. (5,6 m – 8,0 m)	16,0 m – 23,7 ft. (4,9 m – 7,2 m)	1169 lb. (530 kg)
8530894	19,8 ft. – 30,0 ft. (6,0 m – 9,1 m)	20,9 ft. – 31,1 ft. (6,4 m – 9,5 m)	18,5 ft. – 28,7 ft. (5,6 m – 8,7 m)	1281 lb. (581 kg)

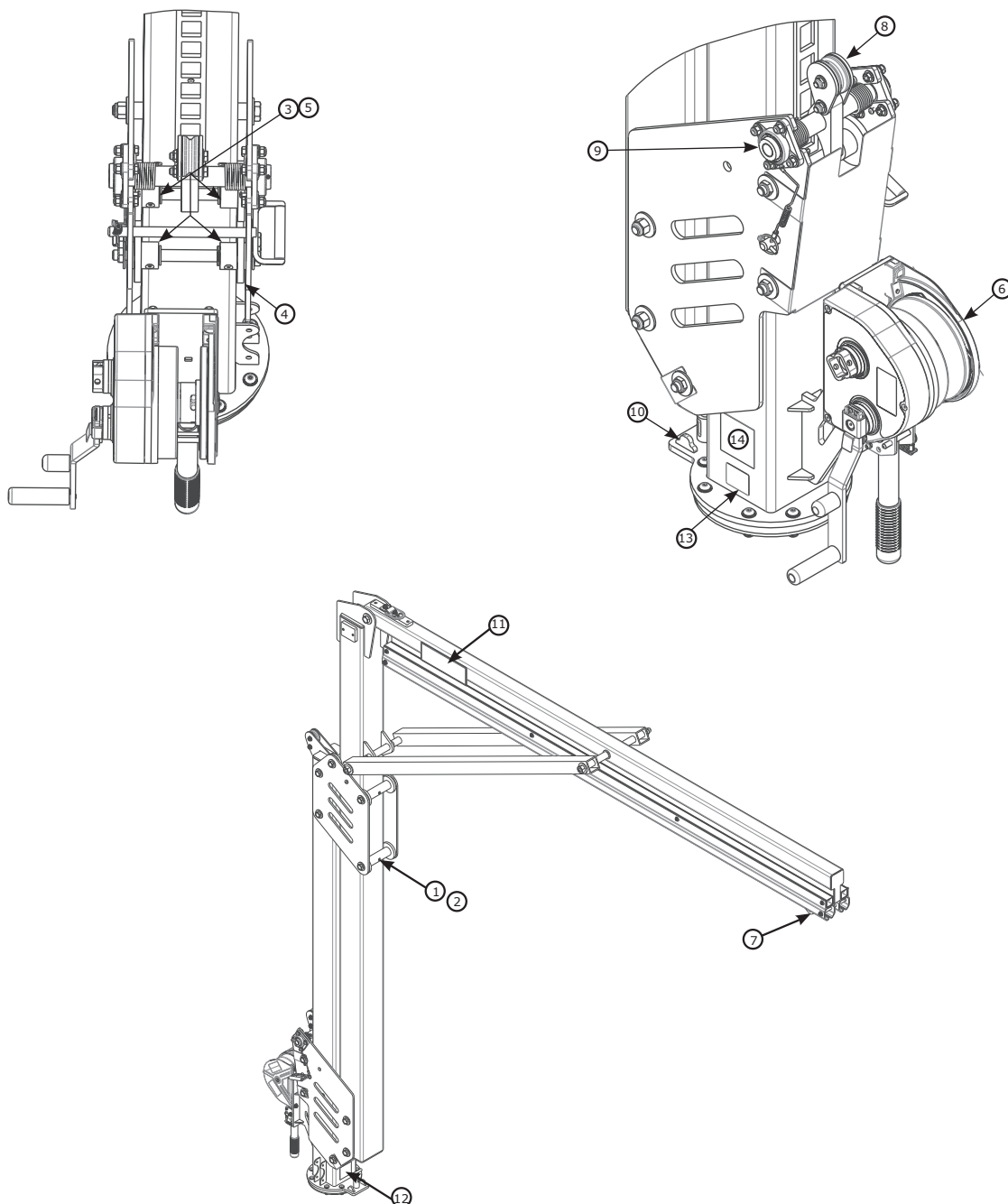
Komponenter i modulær jibbearm, justerbar

TEKNISK DATABLAD: 8530891–8530894

3M

DBI
SALA

Fallsikring



Komponentliste				
	Dele-nummer	Beskrivelse	Materiale	Antall
①	8550046	Bred valse	Nylon	4
②	8550047	Avstandsstykke til bred valse	304 rustfritt stål	4
③	8550327	Smal valse	Nylon	4
④	9514703	Sidevalse	Nylon	12
⑤	8550213	Avstandsstykke til smal valse	304 rustfritt stål	4
⑥	8549930	Vinsj	Stål	1
⑦	8521711	Vogn	Stål, nylon	1

Komponentliste				
	Dele-nummer	Beskrivelse	Materiale	Antall
⑧	8550223	Låsemekanisme (kun autorisert reparasjon)	Stål, nylon	1
⑨	9515138	Lagre	Stål	2
⑩	8550125	Rotasjonsstopp	Stål	2
⑪	9515111	3M-etikett	Polyester	2
⑫	9515101	Rotasjonsetikett	Polyester	1
⑬	9514429	ID-merke	Polyester	1
⑭	9515112	Brukeretikett	Polyester	1

Modulær jibbearm, halvfast

TEKNISK DATABLAD: 8530899–8530901




BRUKSOMRÅDE:


M200 modulær jibbearm er utformet til å gi forankringskoblingsspunkter for et fallsikringssystem.

For mer informasjon om produktinstallasjon, se 3Ms bruksanvisning for M200 jibbearm (5908372).

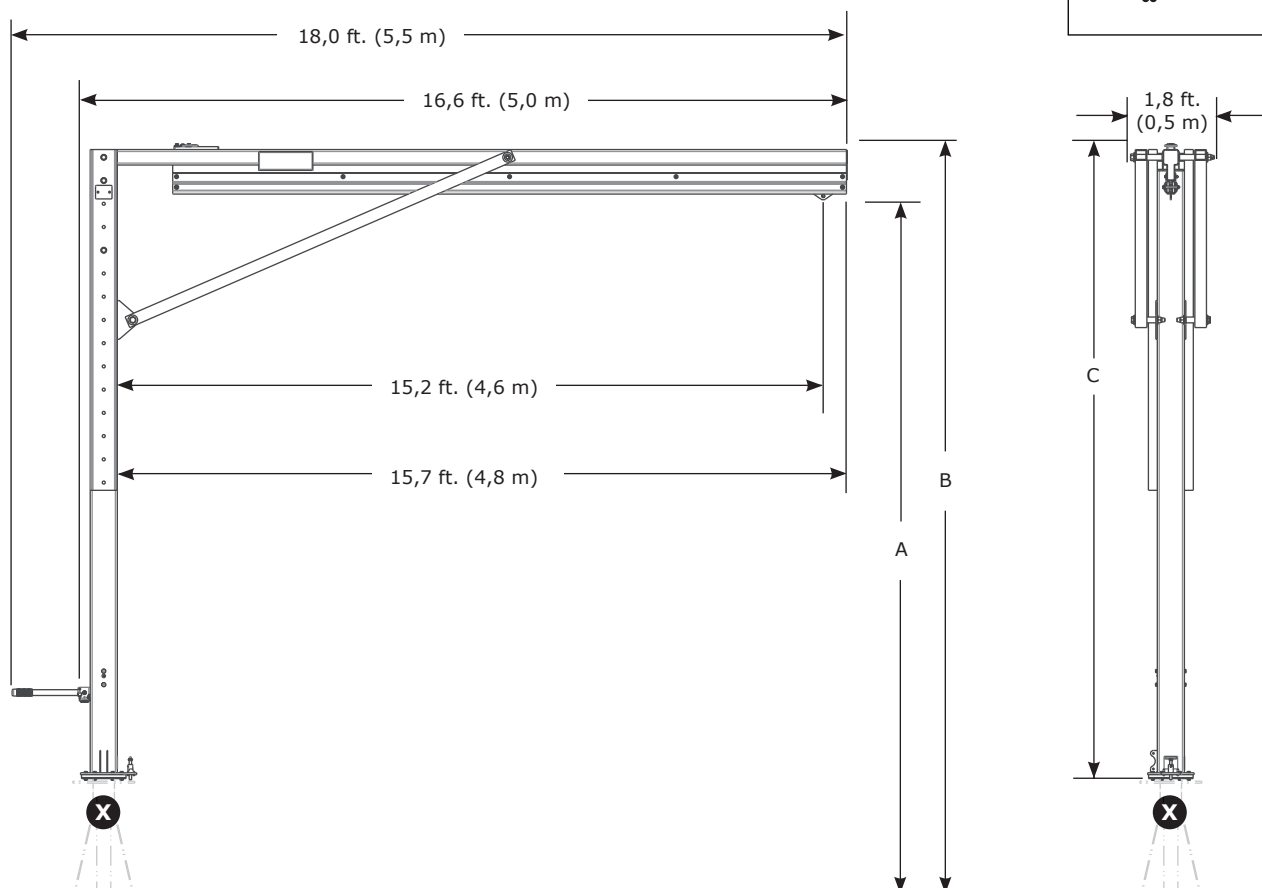
Standarder: EN795:2012 Type E, OSHA 1910.140, OSHA 1926.502.



≤ 1350 lb.
(6 kN)



1x ≤ 310 lb.
(140 kg)



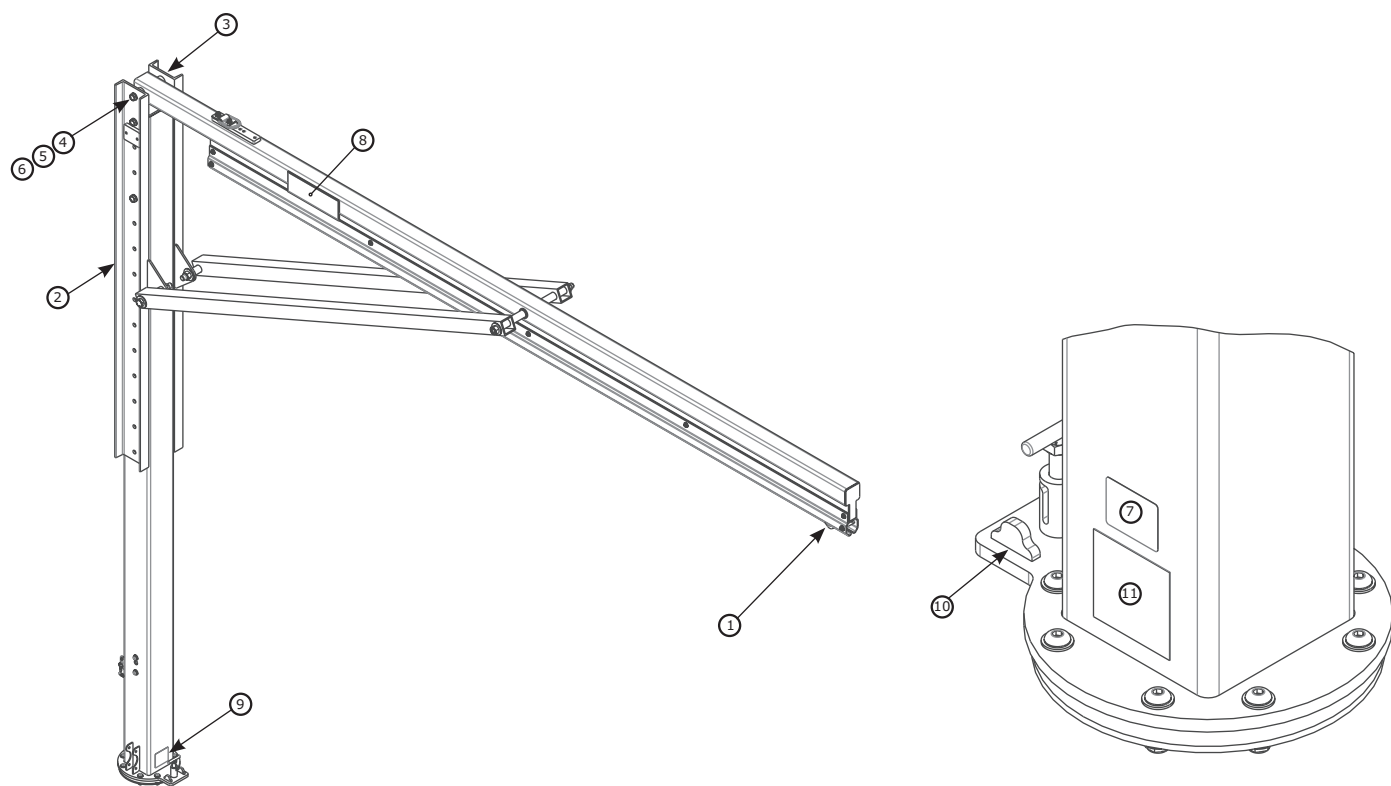
	A	B	C	lb. (kg)
8530899	15,0 ft. – 20,0 ft. (4,6 m – 6,1 m)	16,1 ft. – 21,1 ft. (4,9 m – 6,4 m)	13,7 ft. – 18,7 ft. (4,2 m – 5,7 m)	818 lb. (371 kg)
8530900	20,0 ft. – 25,0 ft. (6,1 m – 7,6 m)	21,1 ft. – 26,1 ft. (6,4 m – 7,9 m)	18,7 ft. – 23,7 ft. (5,7 m – 7,2 m)	930 lb. (422 kg)
8530901	25,0 ft. – 30,0 ft. (7,6 m – 9,1 m)	26,1 ft. – 31,1 ft. (7,9 m – 9,6 m)	23,7 ft. – 28,7 ft. (7,2 m – 8,7 m)	1041 lb. (472 kg)
	+6" (152 mm) justeringstrinn			

Komponenter i modulær jibbearm, halvfast

TEKNISK DATABLAD: 8530899-8530901



Fallsikring



	Dele- nummer	Beskrivelse	Materiale	Antall
①	8521711	Vogn	Rustfritt stål, stål, nylon	1
②	8549933	Redningsmo- nteringskanal	Stål	1
③	8550248	Kanal	Stål	1
④	8526654	3/4" x 9" bolt	Stål	2
⑤	8522275	3/4" pakning	Stål	4
⑥	8518276	3/4" mutter	Stål	2
⑦	9514429	ID-merke	Polyester	1

	Dele- nummer	Beskrivelse	Materiale	Antall
⑧	9515111	3M-etikett	Polyester	2
⑨	9515101	Rotasjonseti- kett	Polyester	1
⑩	8550125	Rotasjonsstopp	Stål	2
⑪	9515112	Brukeretikett	Polyester	1

Modulær jibbearm, justerbar

TEKNISK DATABLAD: 8530895–8530898



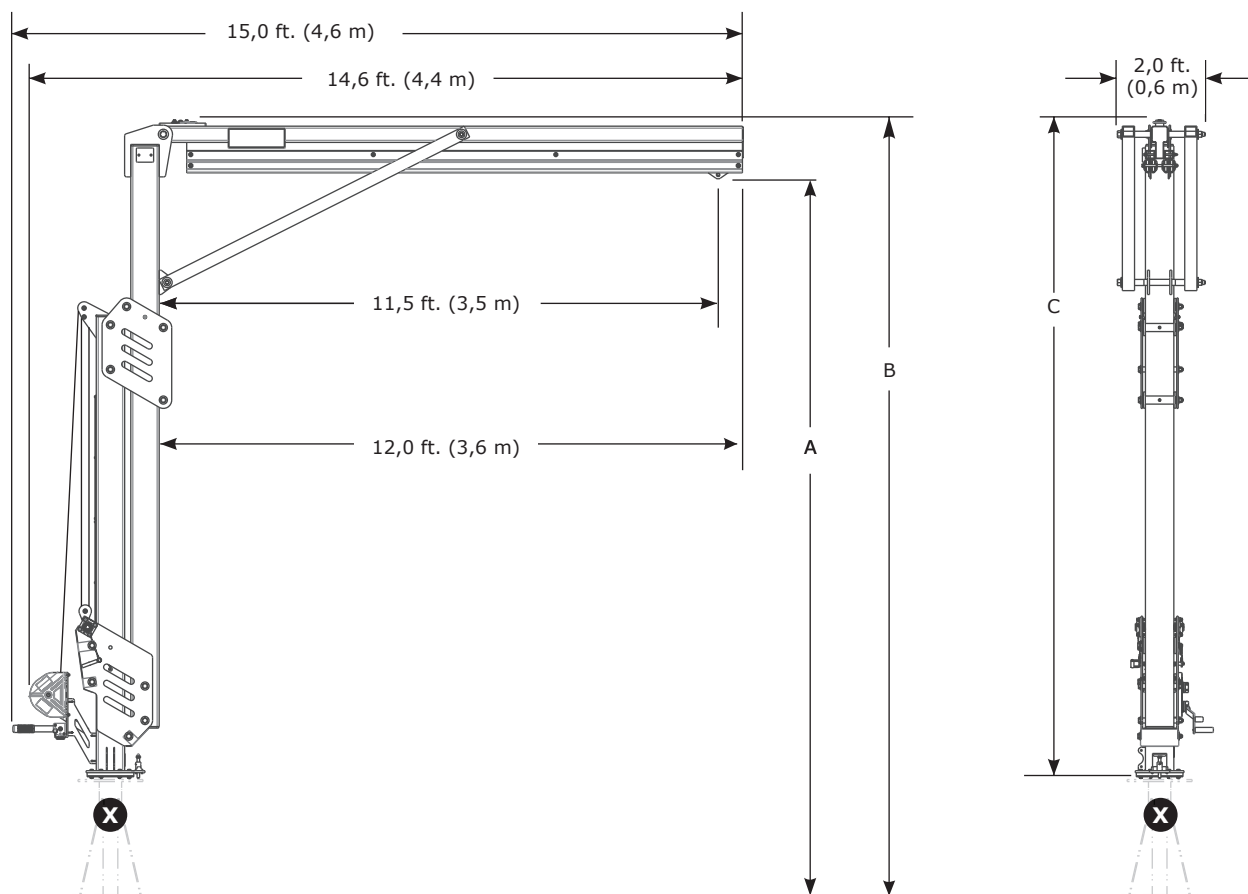
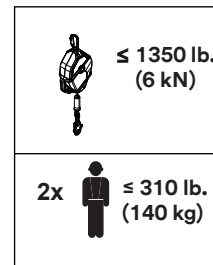
Fallsikring

BRUKSOMRÅDE:

M200 modulær jibbearm er utformet til å gi forankringskoblingsspunkter for et fallsikringssystem.

For mer informasjon om produktinstallasjon, se 3Ms bruksanvisning for M200 jibbearm (5908372).

Standarder: CEN/TS 16415:2013 Type E, EN795:2012 Type E, OSHA 1910.140, OSHA 1926.502



	A	B	C	lb. (kg)
8530895	12,3 ft. – 15,0 ft. (3,8 m – 4,6 m)	13,4 ft. – 16,1 ft. (4,1 m – 4,9 m)	11,0 ft. – 13,7 ft. (3,4 m – 4,2 ft.)	1011 lb. (459 kg)
8530896	14,8 ft. – 20,0 ft. (4,5 m – 6,1 m)	15,9 ft. – 21,1 ft. (4,8 m – 6,4 m)	13,5 ft. – 18,7 ft. (4,1 m – 5,7 m)	1123 lb. (509 kg)
8530897	17,3 ft. – 25,0 ft. (5,3 m – 7,6 m)	18,4 ft. – 26,1 ft. (5,6 m – 8,0 m)	16,0 m – 23,7 ft. (4,9 m – 7,2 m)	1235 lb. (560 kg)
8530898	19,8 ft. – 30,0 ft. (6,0 m – 9,1 m)	20,9 ft. – 31,1 ft. (6,4 m – 9,5 m)	18,5 ft. – 28,7 ft. (5,6 m – 8,7 m)	1343 lb. (609 kg)

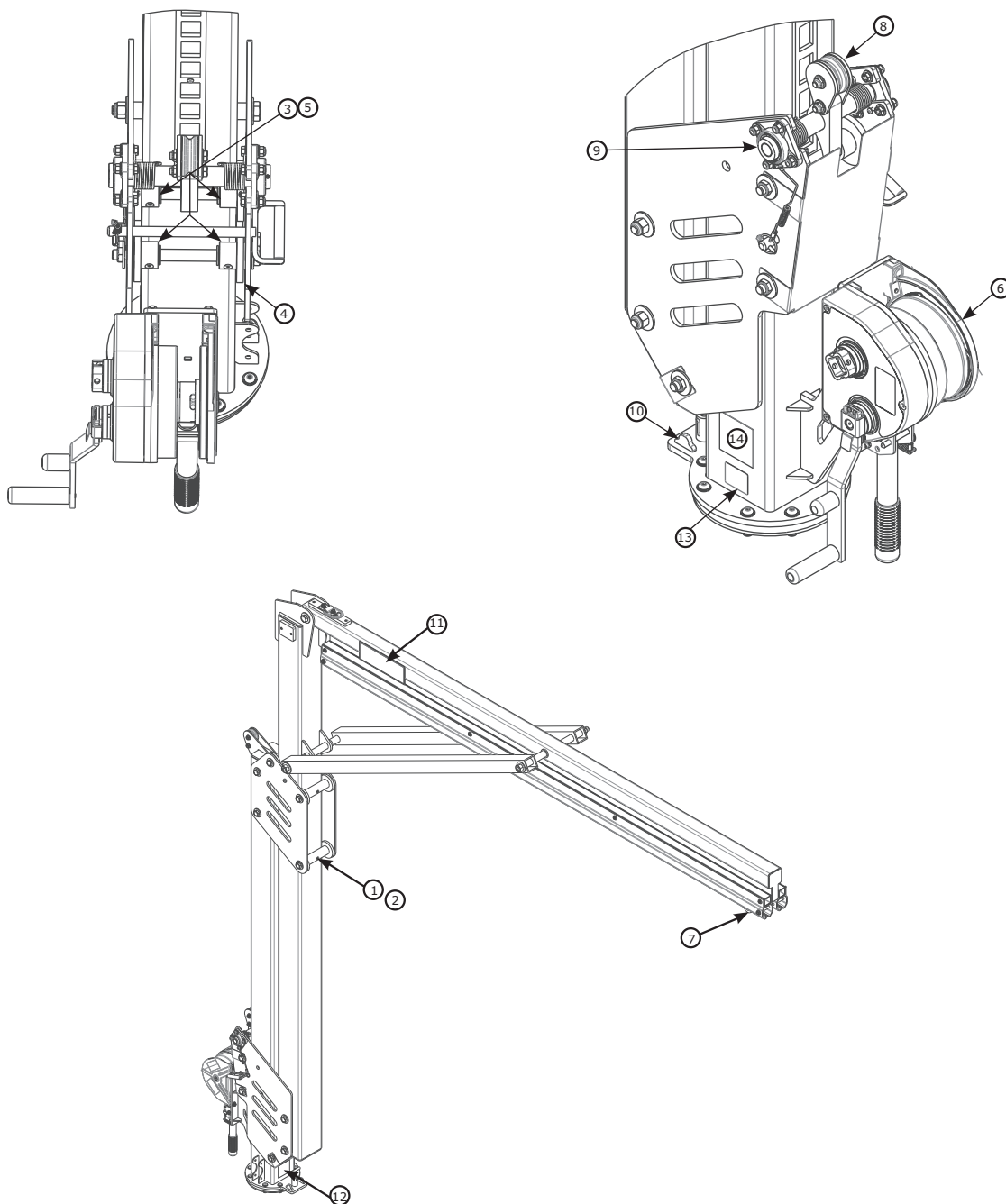
Komponenter i modulær jibbearm, justerbar

TEKNISK DATABLAD: 8530895–8530898

3M

DBI
SALA

Fallsikring



Komponentliste				
	Dele-nummer	Beskrivelse	Materiale	Antall
①	8550046	Bred valse	Nylon	4
②	8550047	Bred valse Avstandsstykke	304 rustfritt stål	4
③	8550327	Smal valse	Nylon	4
④	9514703	Sidevalse	Nylon	12
⑤	8550213	Avstandsstykke til smal valse	304 rustfritt stål	4
⑥	8549930	Vinsj	Stål	1
⑦	8521711	Vogn	Stål, nylon	1

Komponentliste				
	Dele-nummer	Beskrivelse	Materiale	Antall
⑧	8550223	Låsemekanisme (kun autorisert reparasjon)	Stål, nylon	1
⑨	9515138	Lagre	Stål	2
⑩	8550125	Rotasjonsstopp	Stål	2
⑪	9515111	3M-etikett	Polyester	2
⑬	9515101	Rotasjonsetikett	Polyester	1
⑬	9514429	ID-merke	Polyester	1
⑭	9515112	Brukeretikett	Polyester	1

Modulær jibbearm, halvfast

TEKNISK DATABLAD: 8530902–8530904



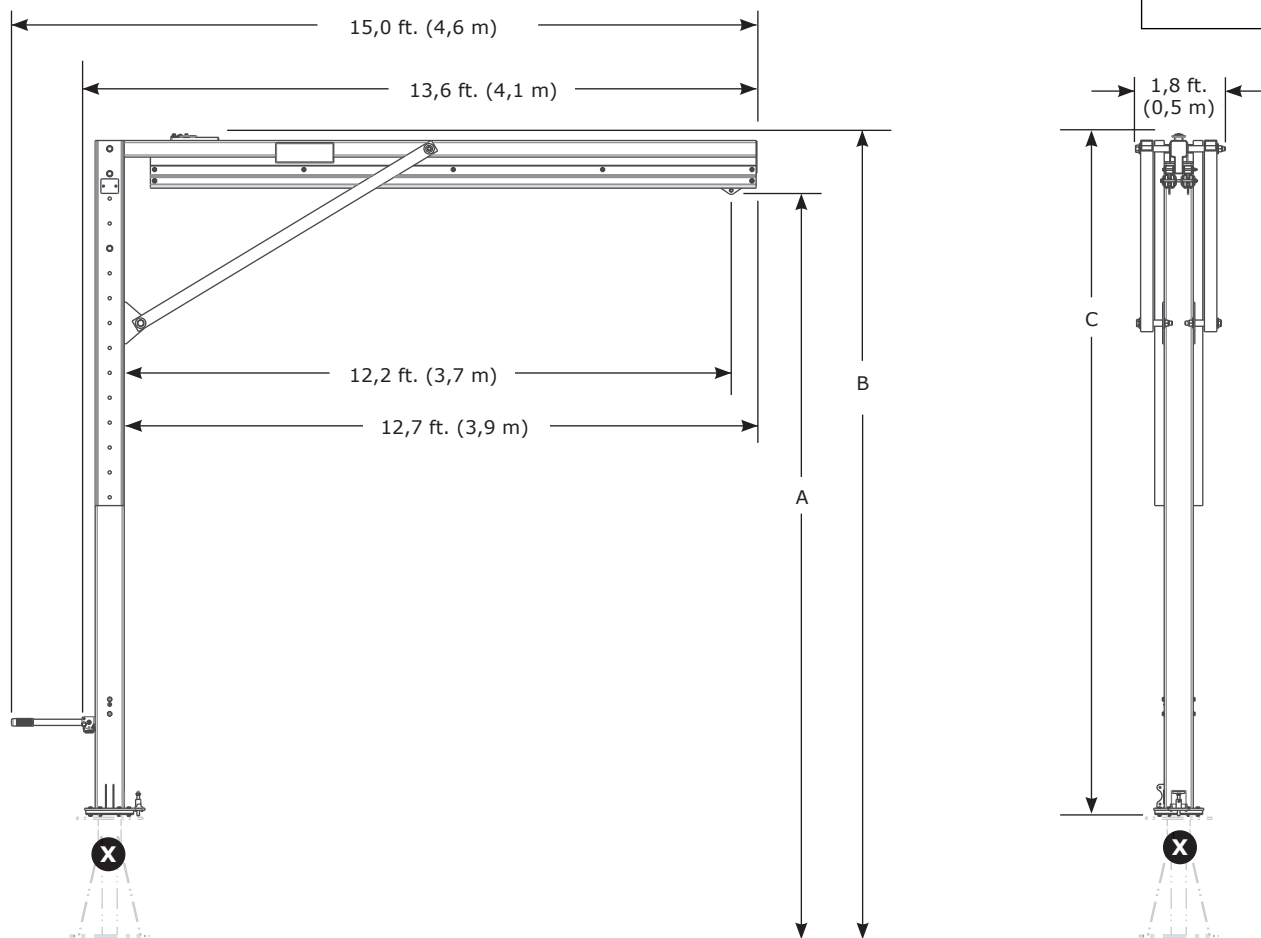
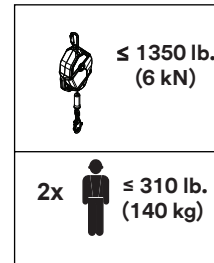
Fallsikring

BRUKSOMRÅDE:

M200 modulær jibbearm er utformet til å gi forankringskoblingsspunkter for et fallsikringssystem.

For mer informasjon om produktinstallasjon, se 3Ms bruksanvisning for M200 jibbearm (5908372).

Standarder: CEN/TS 16415:2013 Type E, EN795:2012 Type E, OSHA 1910.140, OSHA 1926.502.



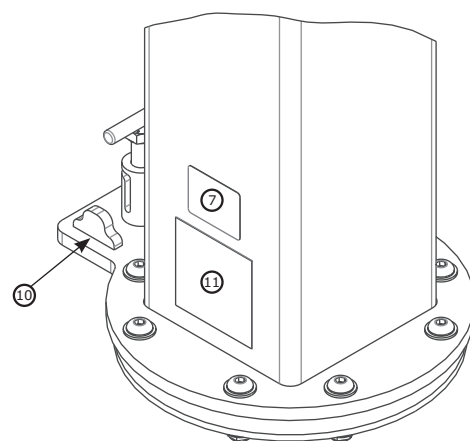
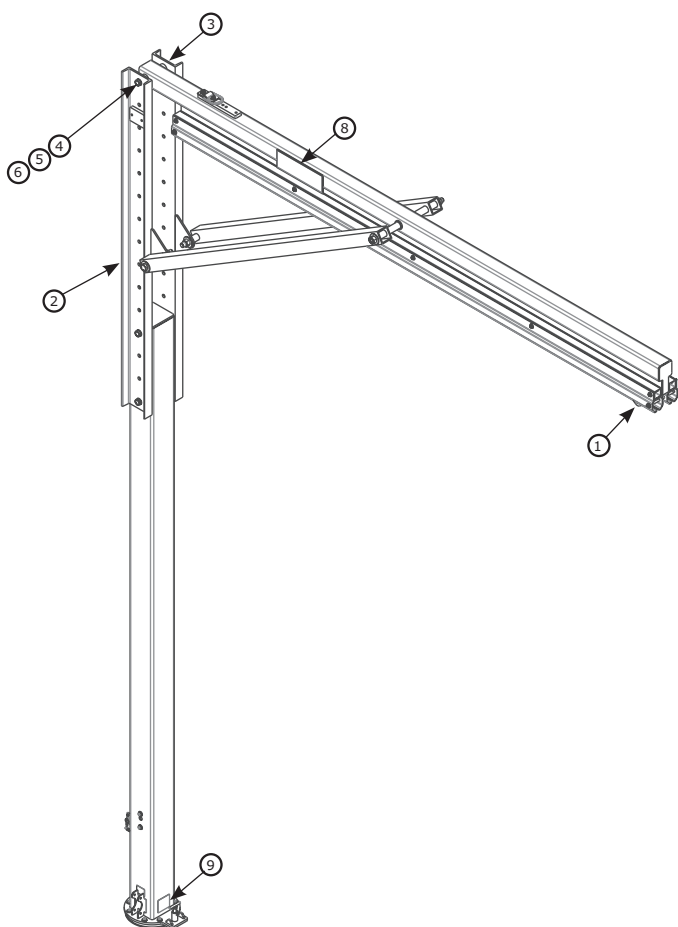
	A	B	C	lb. (kg)
8530902	15,0 ft. – 20,0 ft. (4,6 m – 6,1 m)	16,1 ft. – 21,1 ft. (4,9 m – 6,4 m)	13,7 ft. – 18,7 ft. (4,2 m – 5,7 m)	850 lb. (386 kg)
8530903	20,0 ft. – 25,0 ft. (6,1 m – 7,6 m)	21,1 ft. – 26,1 ft. (6,4 m – 7,9 m)	18,7 ft. – 23,7 ft. (5,7 m – 7,2 m)	961 lb. (436 kg)
8530904	25,0 ft. – 30,0 ft. (7,6 m – 9,1 m)	26,1 ft. – 31,1 ft. (7,9 m – 9,6 m)	23,7 ft. – 28,7 ft. (7,2 m – 8,7 m)	1073 lb. (487 kg)

Komponenter i modulær jibbearm, halvfast

TEKNISK DATABLAD: 8530902–8530904



Fallsikring



	Dele- nummer	Beskrivelse	Materiale	Antall
①	8521711	Vogn	Rustfritt stål, stål, nylon	1
②	8549933	Redningsmon- teringskanal	Stål	1
③	8550248	Kanal	Stål	1
④	8526654	3/4" x 9" bolt	Stål	2
⑤	8522275	3/4" pakning	Stål	4
⑥	8518276	3/4" mutter	Stål	2
⑦	9514429	ID-merke	Polyester	1

	Dele- nummer	Beskrivelse	Materiale	Antall
⑧	9515111	3M-etikett	Polyester	2
⑨	9515101	Rotasjonsetikett	Polyester	1
⑩	8550125	Rotasjonsstopp	Stål	2
⑪	9515112	Brukeretikett	Polyester	1

M200 motvektsockel

TEKNISK DATABLAD: 8530886, 8530887



Fallsikring

BRUKSOMRÅDE:

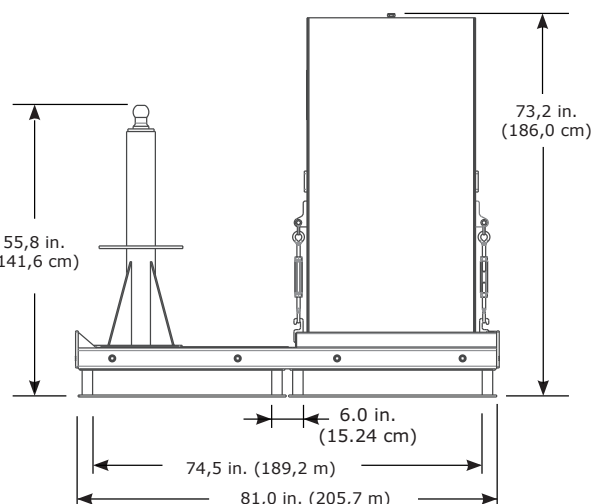
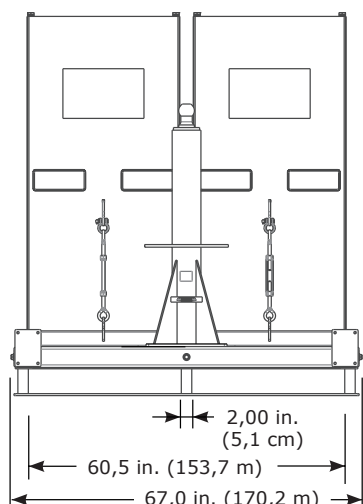
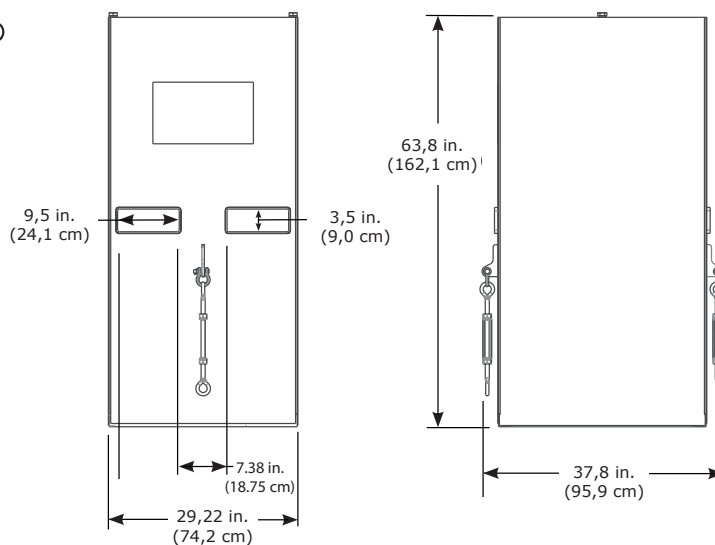
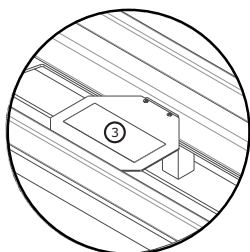
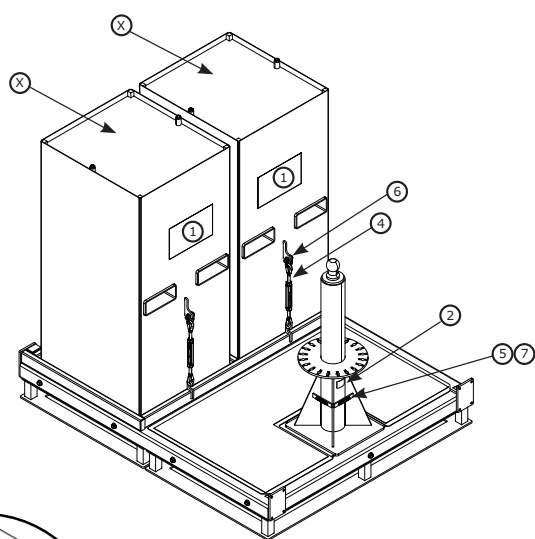
Motvektsockelen er utformet til å fylles med betong og brukes som monteringspunkt for 3M™ DBI-SALA® Flexiguard™ modulært jibbesystem M200.

For mer informasjon om produktinstallasjon, se 3Ms bruksanvisning for M200 betongsokkel (5908374).

Standarder: CEN/TS 16415:2013 Type E, EN795:2012 Type E, OSHA 1910.140, OSHA 1926.502

	X 4000 psi (30 MPa)	Krav til hvilestruktur	Nettvekt
8530886		14 645 lb. (6643 kg)	2407 lb. (1092 kg)
8530887	✓	+ Vekt av M200 jibbebom	11 325 lb. (5137 kg)

Komponentliste				
	Delenum- mer	Beskrivelse	Materi- ale	Antall
①	9515107	Brukeretikett	Polyester	1
②	9514429	ID-merke	Polyester	1
③	9515106	Advarselseti- kett	Polyester	1
④	8520575	Strekfisk	Stål	2
⑤	9513627	Nr. 4 skrue	Stål	4
⑥	9501794	Sjakkell	Stål	2
⑦	9515058	Nivåboble	Plast	2



Arbetsområde for M200 motvektsokke
TEKNISK DATABLAD: 8530886, 8530887

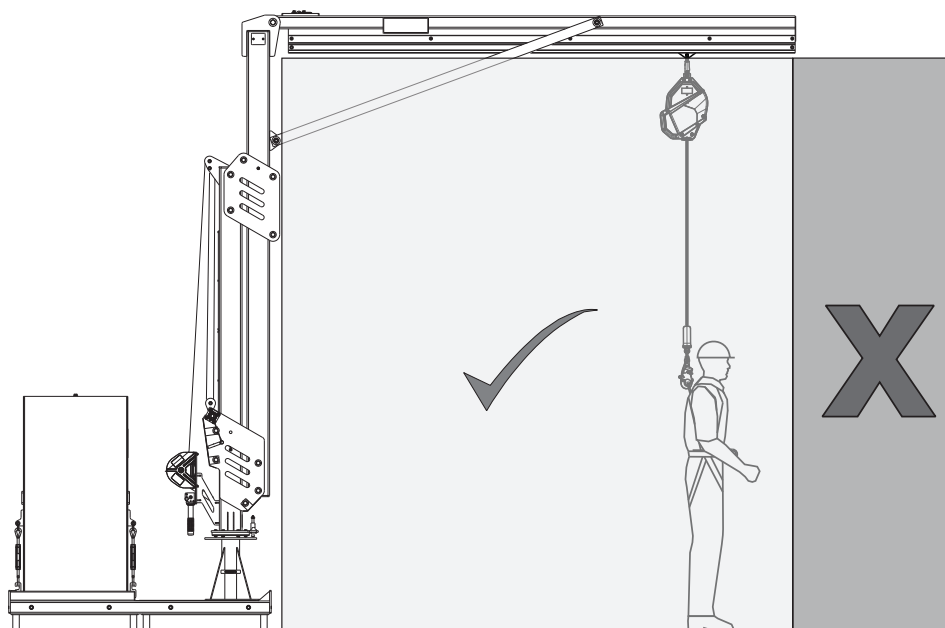
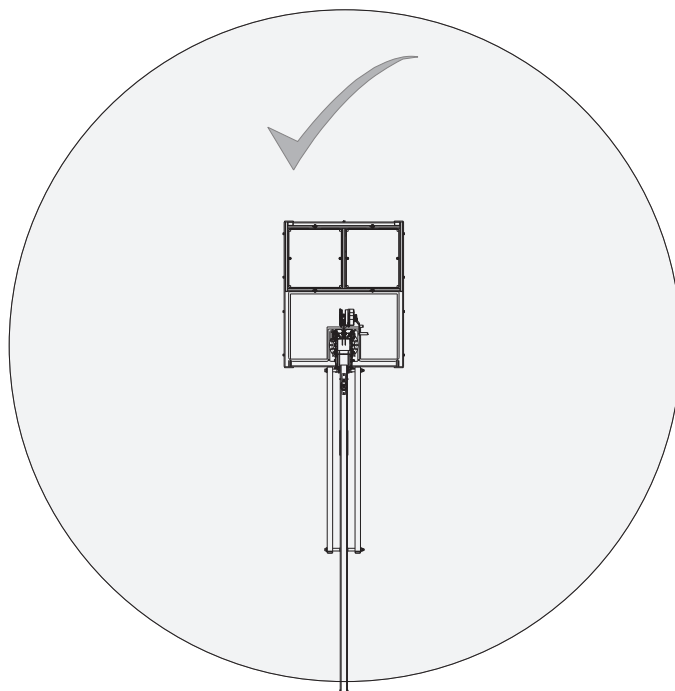
3M

DBI
SALA

Fallsikring

BRUKSOMRÅDE:

Se diagrammet nedenfor for arbejdsområdet til M200 betongsokkel.



Tilbehør til M200 motvektsokke

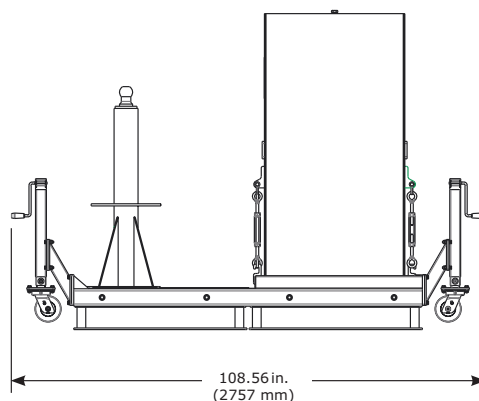
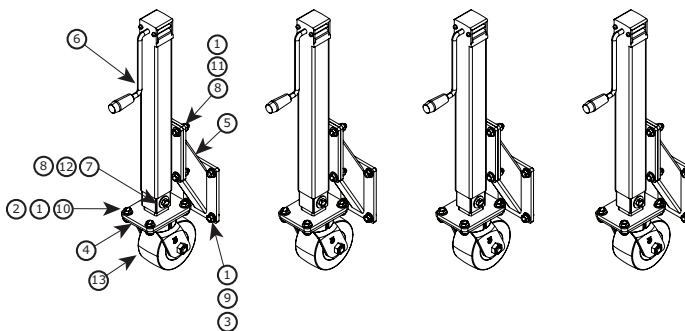
TEKNISK DATABLAD: 8530908, 8530907, 8530777



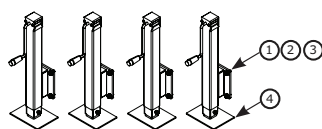
Fallsikring

Vekt	
8530908	152 lb. (69 kg)

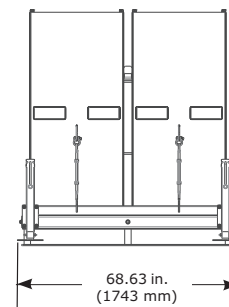
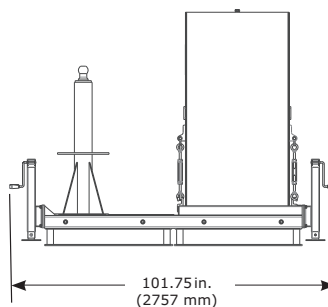
Komponentliste				
	Dele-nummer	Beskrivelse	Materiale	Antall
①	8510037	1/2" pakning	Stål	80
②	8512460	1/2" x 1 1/4" bolt	Stål	16
③	8518432	1/2" x 1" bolt	Stål	16
④	8550153	Hjulsveisestruktur	Stål	4
⑤	8550155	Vinklet sveisestruktur	Stål	4
⑥	8550156	Montert sveisestruktur	Stål	4
⑦	9501243	1/2" pakning	Stål	8
⑧	9501831	1/2" sekskantmutter	Stål	20
⑨	9504221	1/2" pakning	Stål	16
⑩	9504813	1/2" sekskantmutter	Stål	16
⑪	9509276	1/2" x 1 3/4" bolt	Stål	16
⑫	9510153	1/2" x 3 1/4" bolt	Stål	4
⑬	9515081	Rullehjul	Stål, uretan	4



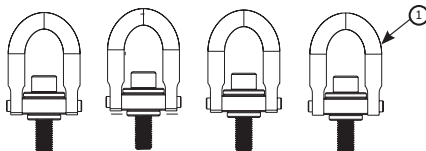
Vekt	
8530907	108 lb. (49 kg)



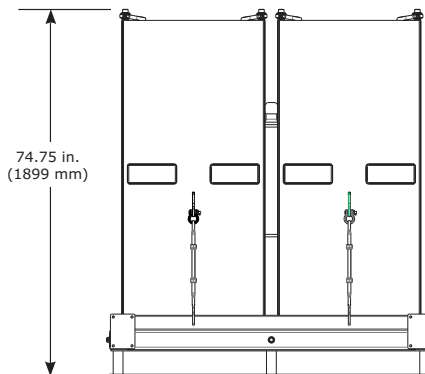
	Dele-nummer	Beskrivelse	Materiale	Antall
①	9504221	1/2" låsemutter	Stål	16
②	8510037	1/2" pakning	Stål	16
③	8518432	1/2" x 1" bolt	Stål	16
④	8550177	Hjulsveisestruktur	Stål	4



Vekt	
8530777	12 lb. (5,4 kg)



Komponentliste				
	Dele-nummer	Beskrivelse	Materiale	Antall
①	9512574	Løftering	Stål	4



Tyngdepunkt for M200 motvektsokke

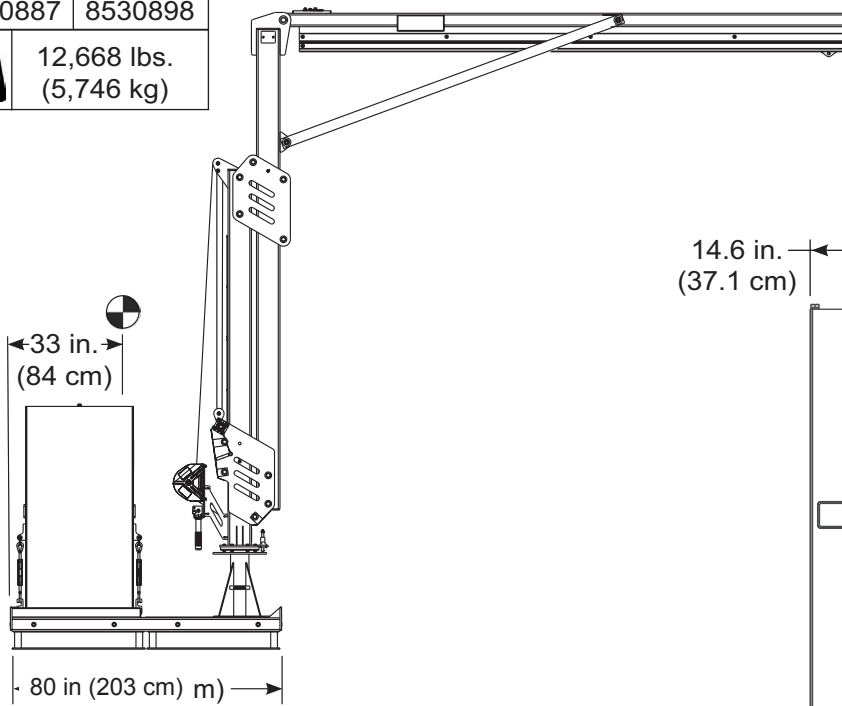
TEKNISK DATABLAD: 8530886, 8530887



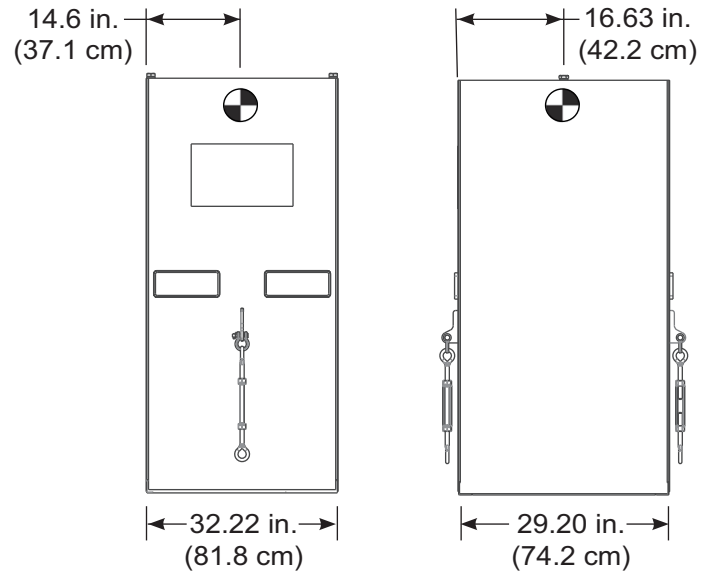
Fallsikring

8530887 8530898

lb (kg) 12,668 lbs. (5,746 kg)

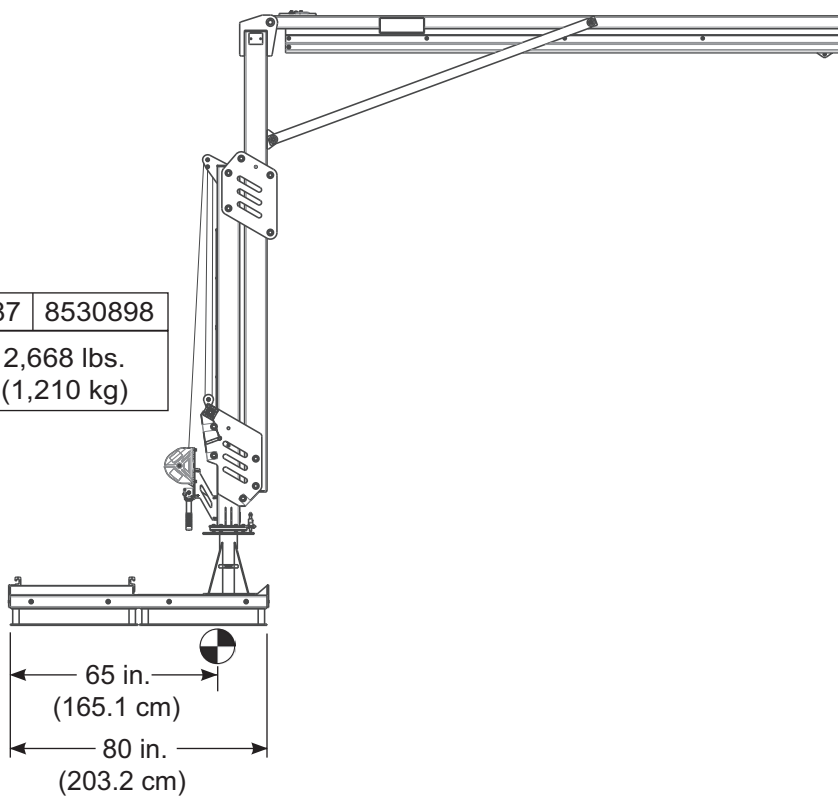


lb (kg) 5,000 lbs. (2,268 kg)



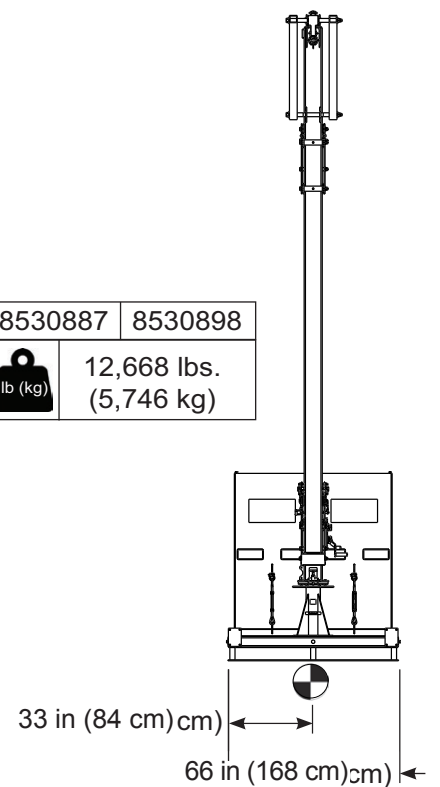
8530887 8530898

lb (kg) 2,668 lbs. (1,210 kg)



8530887 8530898

lb (kg) 12,668 lbs. (5,746 kg)



M200 gulvmonterings sokkel

TEKNISK DATABLAD: 8530888



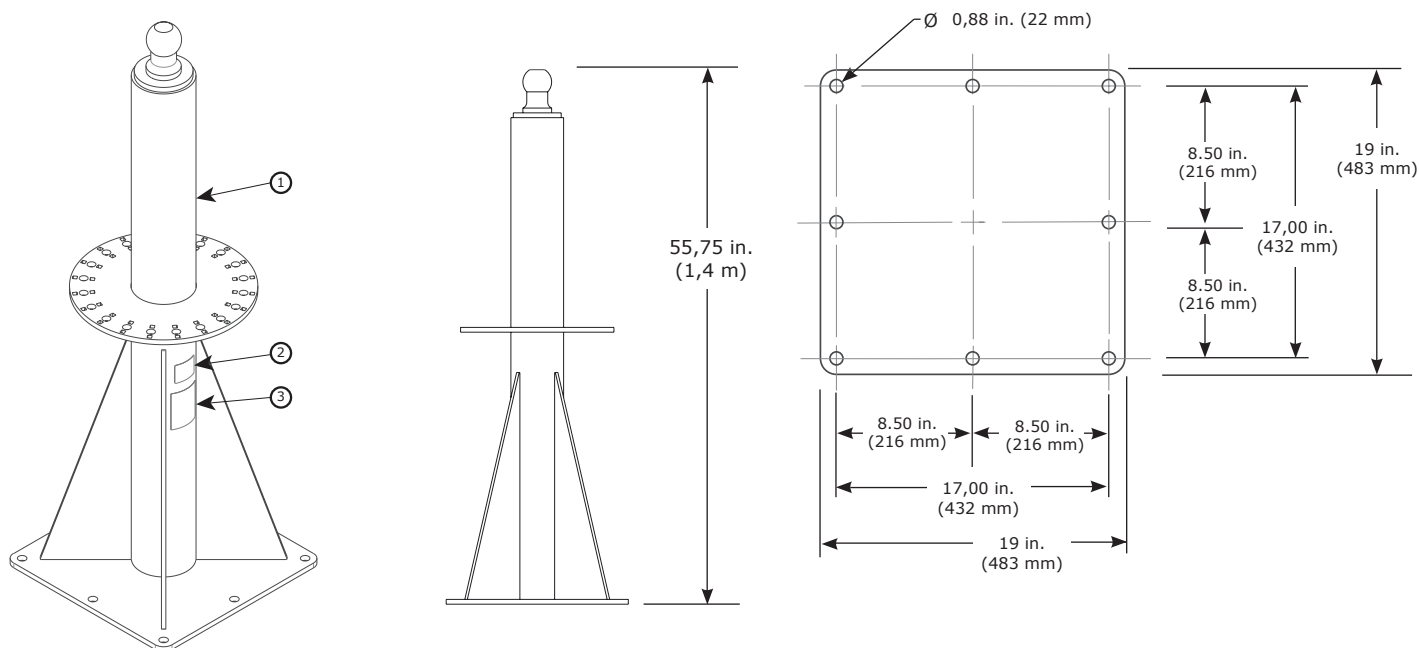
BRUKSOMRÅDE:

Gulvmonterings sokkelen er utformet til å forankres i godkjente strukturer og brukes som monteringspunkt for det 3M-godkjente modulære jibbesystemet M200.

For mer informasjon om produktinstallasjon, se 3Ms bruksanvisning for M200 gulvmonterings sokkel (5908375).

Standarder: CEN/TS 16415:2013 Type A, EN795:2012 Type A, OSHA 1910.140, OSHA 1926.502

	Nettovekt
8530888	265 lb. (120 kg)



Komponentliste				
	Delenummer	Beskrivelse	Materiale	Antall
①	8549921	Sokkelsveise- struktur	Stål	1
②	9514429	ID-merke	Polyester	1
③	9515114	Brukeretikett	Polyester	1

Krav til montering		
Minimum trekraft for feste	Minste momentbelastning for monteringsstruktur	Minste vertikale belastning for monteringsstruktur
9386 lb. (4257 kg)	501 633 in. - lb. (56 677 N-m)	3320 lb. (1506 kg) + Basisvekt + Vekt av M200 jibbebom

M200 slett monterings sokkel

TEKNISK DATABLAD: 8530889, 8530920, 8530921

3M

DBI
SALA®

Fall Protection

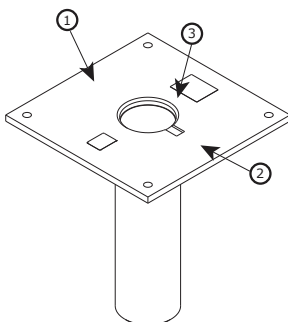
BRUKSOMRÅDE:

Den slette monterings sokkelen er utformet til å forankres i godkjente strukturer og brukes som monteringspunkt for det 3M-godkjente modulære jibbesystemet M200.

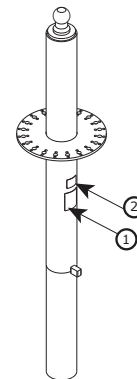
For mer informasjon om produktinstallasjon, se 3Ms bruksanvisning for M200 slett monterings sokkel (5908375).

Standarder: CEN/TS 16415:2013, EN795:2012 Type A, OSHA 1910.140, OSHA 1926.502

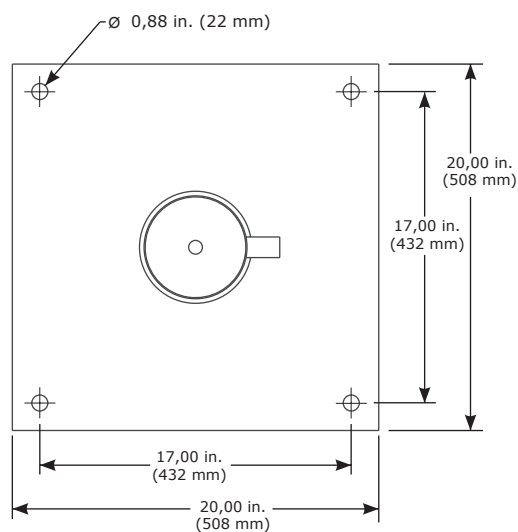
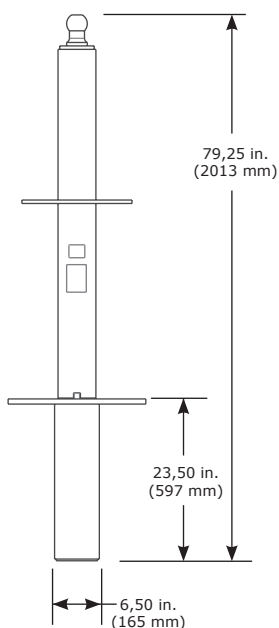
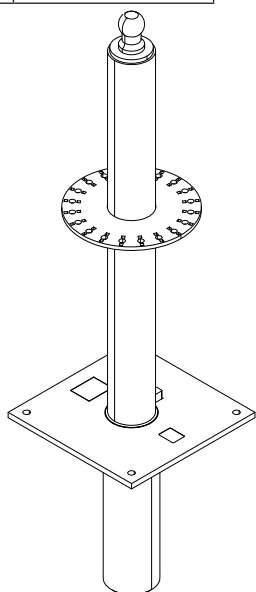
	Nettovekt
8530920	140 lb. (64 kg)



	Nettovekt
8530921	237 lb. (107 kg)



	Nettovekt
8530889	377 lb. (171 kg)



Komponentliste				
	Delenummer	Beskrivelse	Materiale	Antall
①	9515114	Brukeretikett	Polyester	1
②	9514429	ID-merke	Polyester	1
③	8550165	Sokkelhette	Aluminiumsgummi	1

Krav til montering	
Minste momentbelastning for monteringsstruktur	Minste vertikale belastning for monteringsstruktur
501 633 in. - lb. (56 677 N-m)	3320 kg (1506 kg) + Basisvekt + Vekt av M200 jibbebom

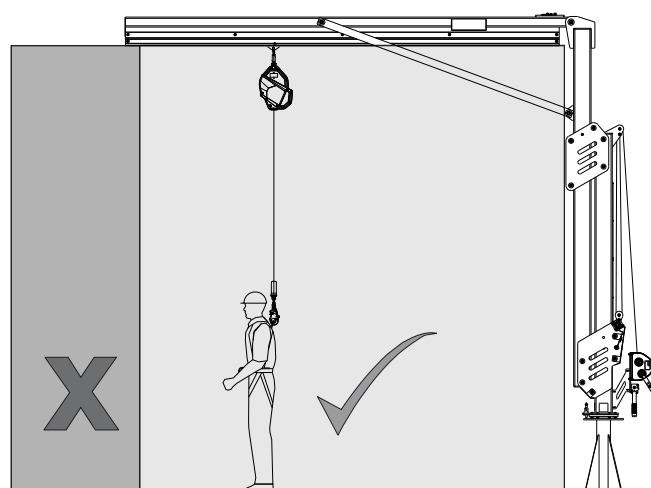
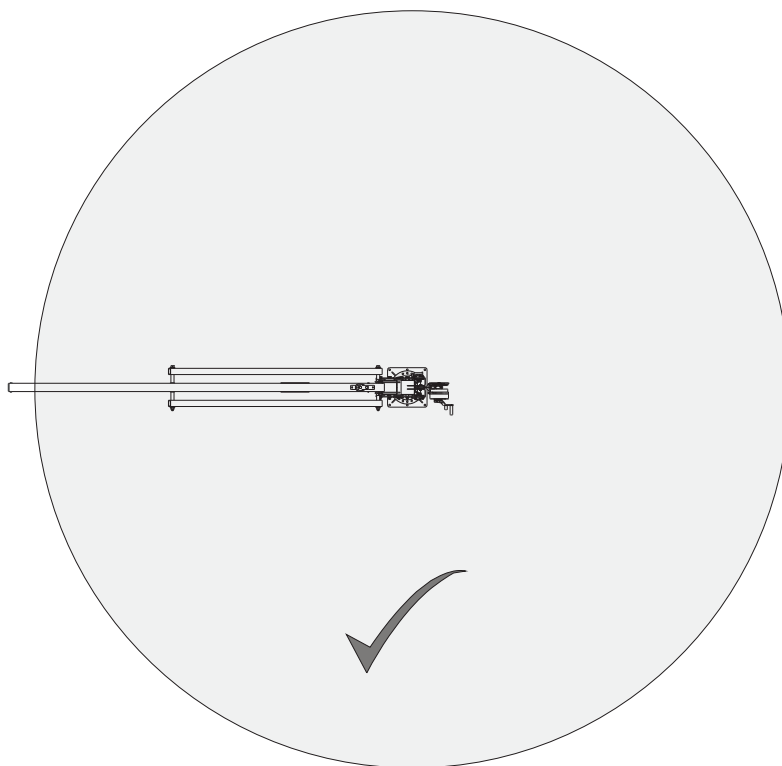
**Arbetsområde for M200
gulvmonteringssockler**
TEKNISK DATABLAD: 8530888, 8530889



Fallsikring

BRUKSOMRÅDE:

Se diagrammet nedenfor for arbejdsområdet til gulvmonteringssocklene.



M200 gulvlommesett

TEKNISK DATABLAD: 8530912

3M

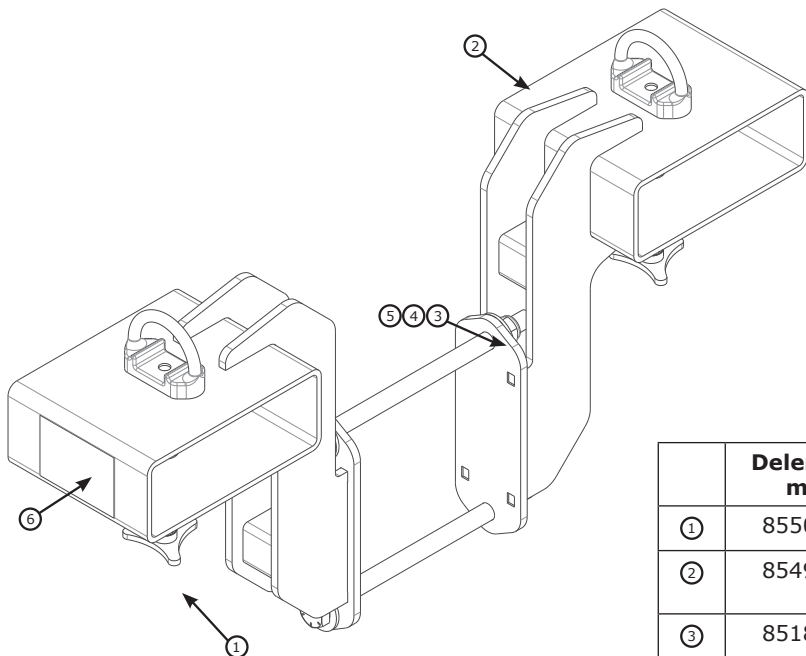
DBI
SALA

Fall Protection

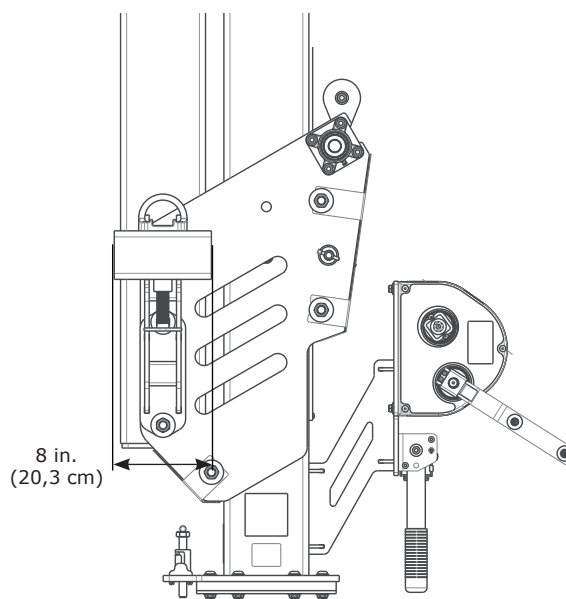
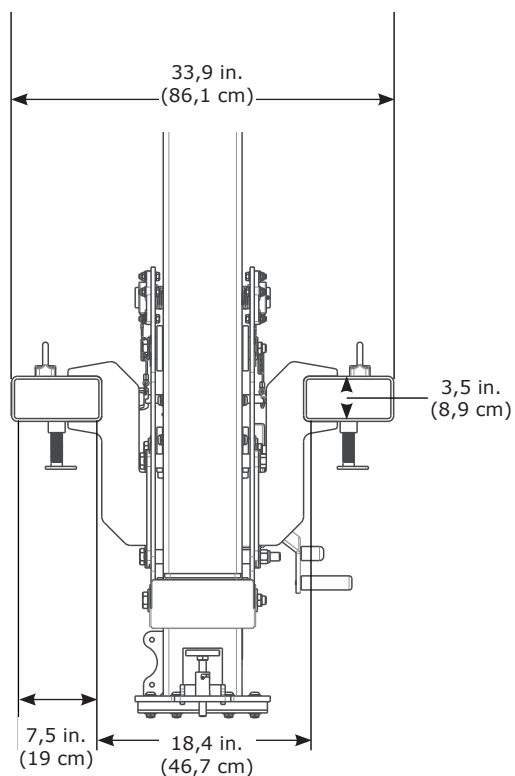
BRUKSOMRÅDE:

M200 gulvlommesett er utformet til å transportere den justerbare jibbebommen.

Se de opplistede bladene for komponentspesifikasjoner.



	Delenum- mer	Beskrivelse	Antall
①	8550127	Tri-skrue	2
②	8549905	Gaffellomme- sveisekonstruksjon	2
③	8518276	3/4" sekskantmutter	2
④	9512004	3/4" x 12" bolt	2
⑤	M970033018	3/4" pakning	4
⑥	9515122	Brukeretikett	1
	9500146	Kjedeled	2
	8517096	Kjede	10 ft.





Fall Protection

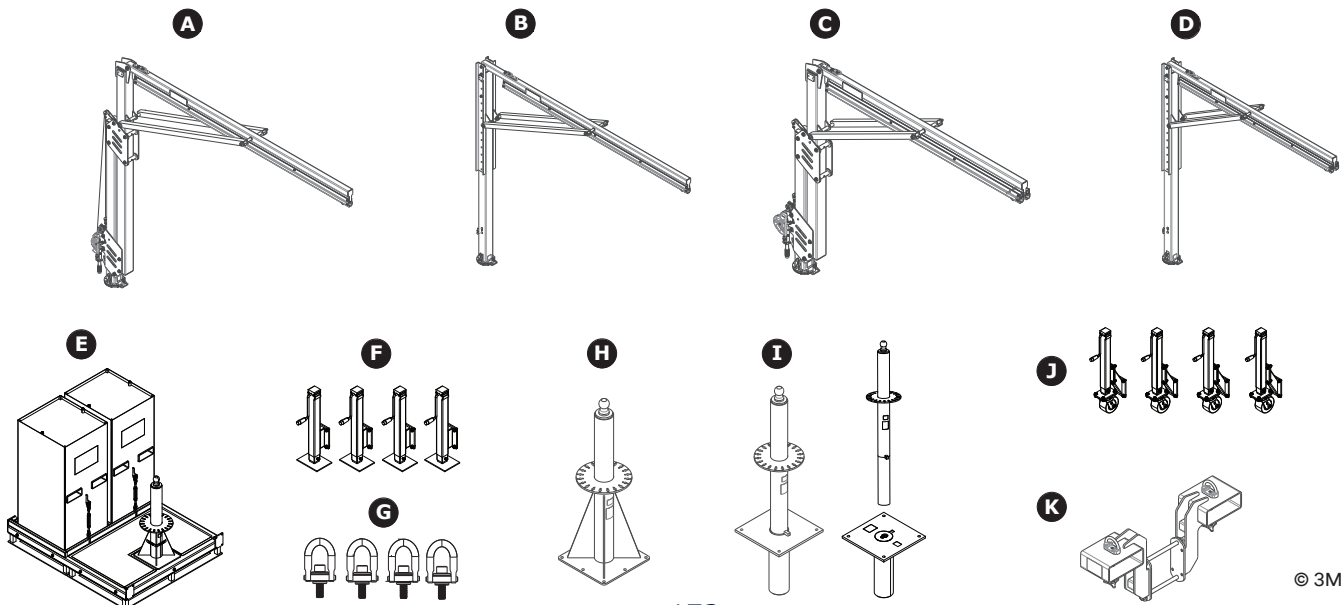


OSHA

**3M™ DBI-SALA® Flexiguard™
Sistema de Lança de
Guindaste M200**

**FICHA DE DADOS TÉCNICOS PACOTE
5908526 Rev. C**

Callout	FICHA DE DADOS TÉCNICOS	Descrição	Página
A	8530891	Braço de Lança de Guindaste Modular Ajustável	174
	8530892	Braço de Lança de Guindaste Modular Ajustável	174
	8530893	Braço de Lança de Guindaste Modular Ajustável	174
	8530894	Braço de Lança de Guindaste Modular Ajustável	174
B	8530899	Braço de Lança de Guindaste Modular Semifixo	176
	8530900	Braço de Lança de Guindaste Modular Semifixo	176
	8530901	Braço de Lança de Guindaste Modular Semifixo	176
C	8530895	Braço de Lança de Guindaste Modular Ajustável	178
	8530896	Braço de Lança de Guindaste Modular Ajustável	178
	8530897	Braço de Lança de Guindaste Modular Ajustável	178
	8530898	Braço de Lança de Guindaste Modular Ajustável	178
D	8530902	Braço de Lança de Guindaste Modular Semifixo	180
	8530903	Braço de Lança de Guindaste Modular Semifixo	180
	8530904	Braço de Lança de Guindaste Modular Semifixo	180
E	8530886	Base do Contrapeso	182
	8530887	Base do Contrapeso	182
F	8530907	Macaco (Base do Contrapeso)	184
G	8530777	Anel de Elevação (Base do Contrapeso)	184
H	8530888	Base de Montagem no Chão	186
I	8530889, 8530920, 8530921	Base de Montagem de Nivelção	187
J	8530908	Rodas (Base do Contrapeso)	184
K	8530912	Kit de Bolsa de Empilhamento	189



Braço de Lança de Guindaste Modular Ajustável

FICHA DE DADOS TÉCNICOS: 8530891-8530894



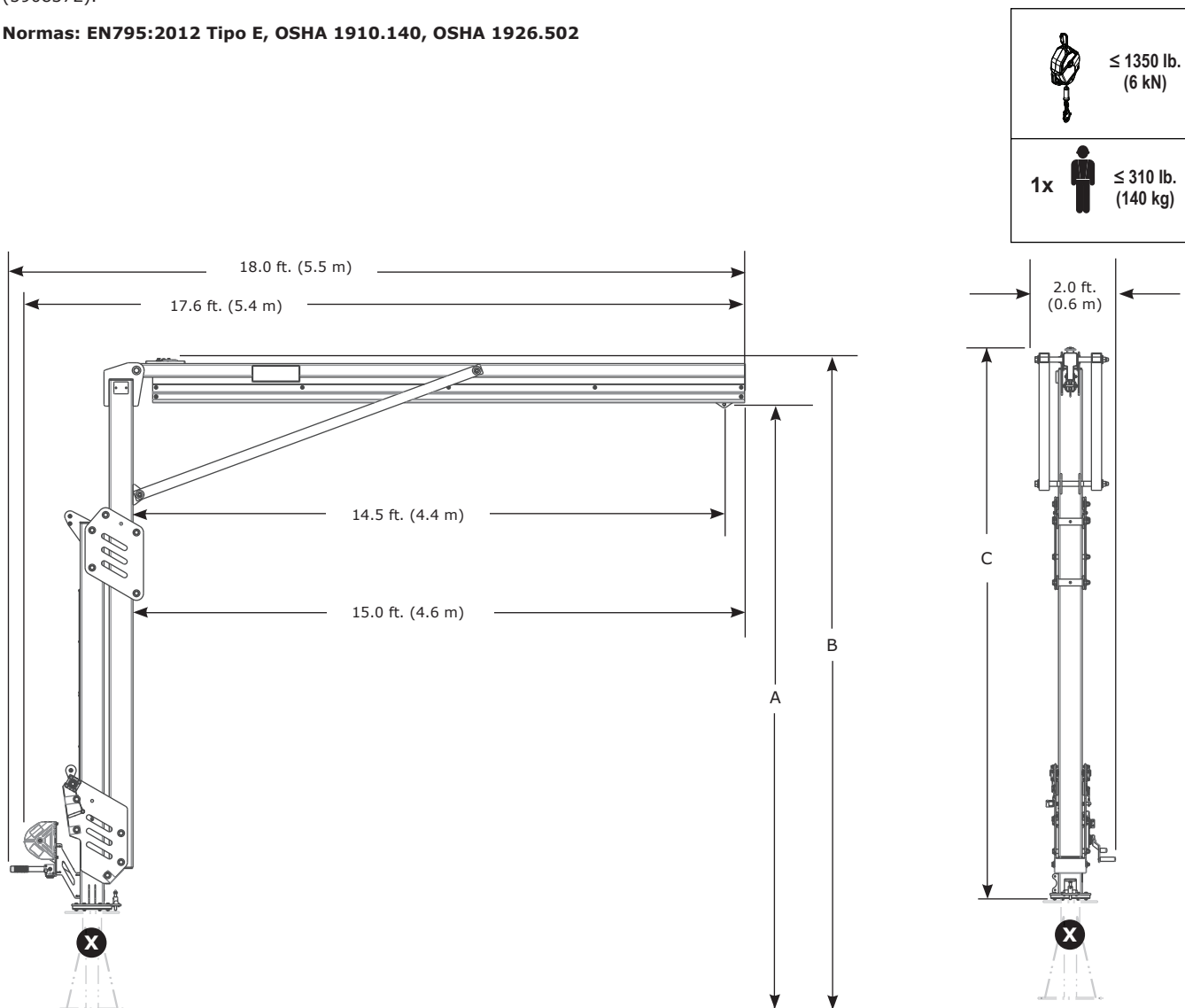
Fall Protection

APLICAÇÃO:

O Braço de Lança de Guindaste Modular M200 foi projetado para fornecer pontos de ligação de ancoragem para o sistema de Detenção de Queda.

Para mais informações sobre a instalação do produto, consulte o manual de instruções da 3M para o Braço de Lança do Guindaste M200 (5908372).

Normas: EN795:2012 Tipo E, OSHA 1910.140, OSHA 1926.502



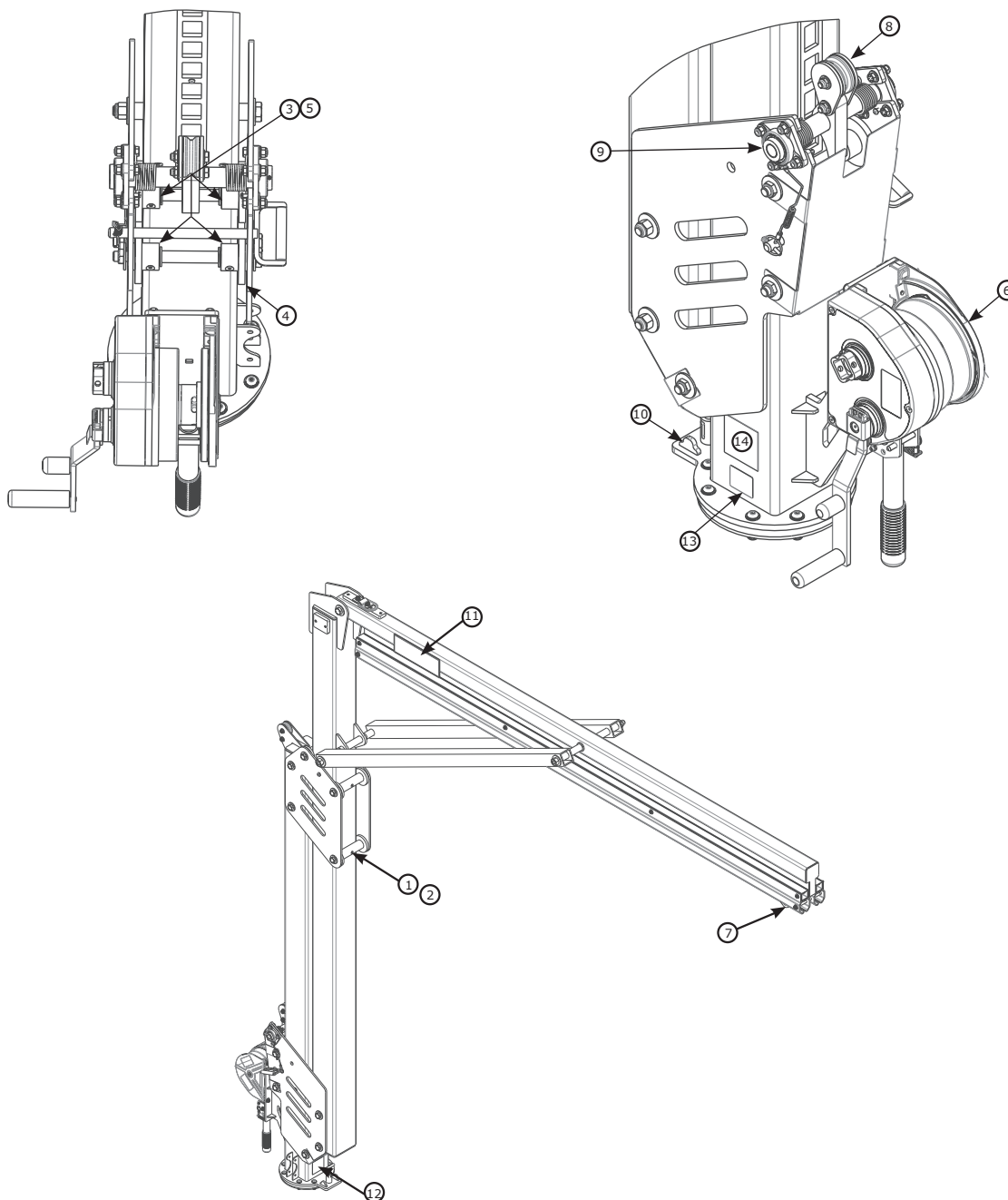
	A	B	C	lb. (kg)
8530891	12.3 ft. – 15,0 ft. (3,8 m – 4,6 m)	13.4 ft. – 16,1 ft. (4,1 m – 4,9 m)	9.8 ft. – 14,8 ft. (3,0 m – 4,5 ft.)	945 lb. (429 kg)
8530892	14.8 ft. – 20,0 ft. (4,5 m – 6,1 m)	15.9 ft. – 21,1 ft. (4,8 m – 6,4 m)	13.5 ft. – 18,7 ft. (4,1 m – 5,7 m)	1 057 lb. (479 kg)
8530893	17.3 ft. – 25,0 ft. (5,3 m – 7,6 m)	18.4 ft. – 26,1 ft. (5,6 m – 8,0 m)	16,0 – 23,7 ft. (4,9 m – 7,2 m)	1 169 lb. (530 kg)
8530894	19.8 ft. – 30,0 ft. (6,0 m – 9,1 m)	20.9 ft. – 31,1 ft. (6,4 m – 9,5 m)	18.5 ft. – 28,7 ft. (5,6 m – 8,7 m)	1 281 lb. (581 kg)

Componentes do Braço de Lança de Guindaste Modular Ajustável

FICHA DE DADOS TÉCNICOS: 8530891-8530894



Fall Protection



Lista de Componentes				
	Número da peça	Descrição	Material	Quantidade
①	8550046	Rolo Largo	Nylon	4
②	8550047	Espaçador do Rolo Largo	Aço inoxidável 304	4
③	8550327	Rolo Estreito	Nylon	4
④	9514703	Rolo Lateral	Nylon	12
⑤	8550213	Espaçador do Rolo Estreito	Aço inoxidável 304	4
⑥	8549930	Guincho	Aço	1
⑦	8521711	Carrinho	Aço, Nylon	1

Lista de Componentes				
	Número da peça	Descrição	Material	Quantidade
⑧	8550223	Mecanismo de Bloqueio (apenas reparações autorizadas)	Aço, Nylon	1
⑨	9515138	Rolamentos	Aço	2
⑩	8550125	Batente de Rotação	Aço	2
⑪	9515111	Etiqueta 3M	Poliéster	2
⑫	9515101	Etiqueta de Rotação	Poliéster	1
⑬	9514429	Etiqueta de identificação	Poliéster	1
⑭	9515112	Etiqueta do Utilizador	Poliéster	1

Braço de Lança de Guindaste Modular Semifixo

FICHA DE DADOS TÉCNICOS: 8530899-8530901



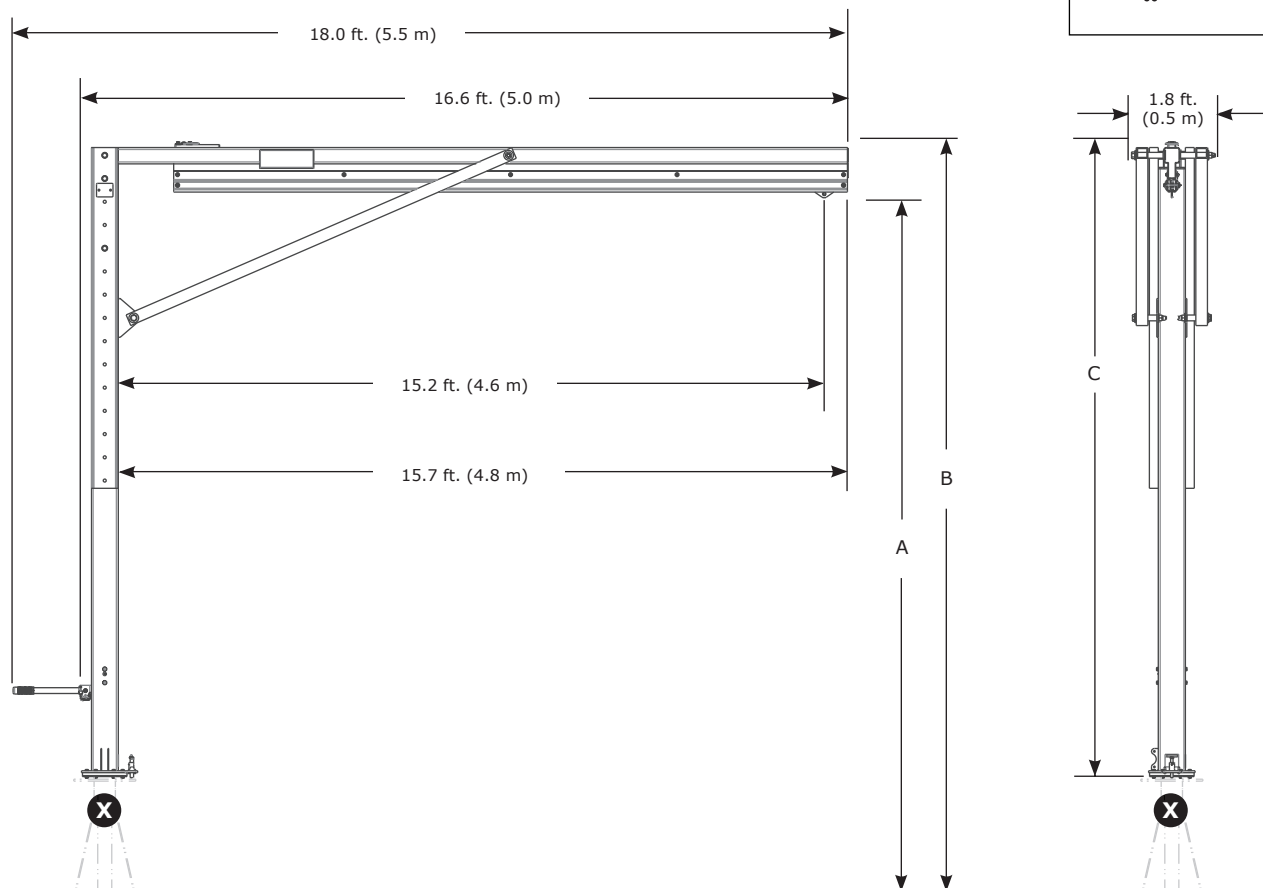
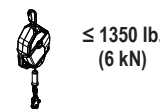
Fall Protection

APLICAÇÃO:

O Braço de Lança de Guindaste Modular M200 foi projetado para fornecer pontos de ligação de ancoragem para o sistema de Detenção de Queda.

Para mais informações sobre a instalação do produto, consulte o manual de instruções da 3M para o Braço de Lança do Guindaste M200 (5908372).

Normas: EN795:2012 Tipo E, OSHA 1910.140, OSHA 1926.502.



	A	B	C	lb. (kg)
8530899	15.0 ft. - 20,0 ft. (4,6 m - 6,1 m)	16.1 ft. - 21,1 ft. (4,9 m - 6,4 m)	13.7 ft. - 18,7 ft. (4,2 m - 5,7 m)	818 lb. (371 kg)
8530900	20.0 ft. - 25,0 ft. (6,1 m - 7,6 m)	21.1 ft. - 26,1 ft. (6,4 m - 7,9 m)	18.7 ft. - 23,7 ft. (5,7 m - 7,2 m)	930 lb. (422 kg)
8530901	25.0 ft. - 30,0 ft. (7,6 m - 9,1 m)	26.1 ft. - 31,1 ft. (7,9 m - 9,6 m)	23.7 ft. - 28,7 ft. (7,2 m - 8,7 m)	1 041 lb. (472 kg)
+6" (152 mm) incrementos de ajuste				

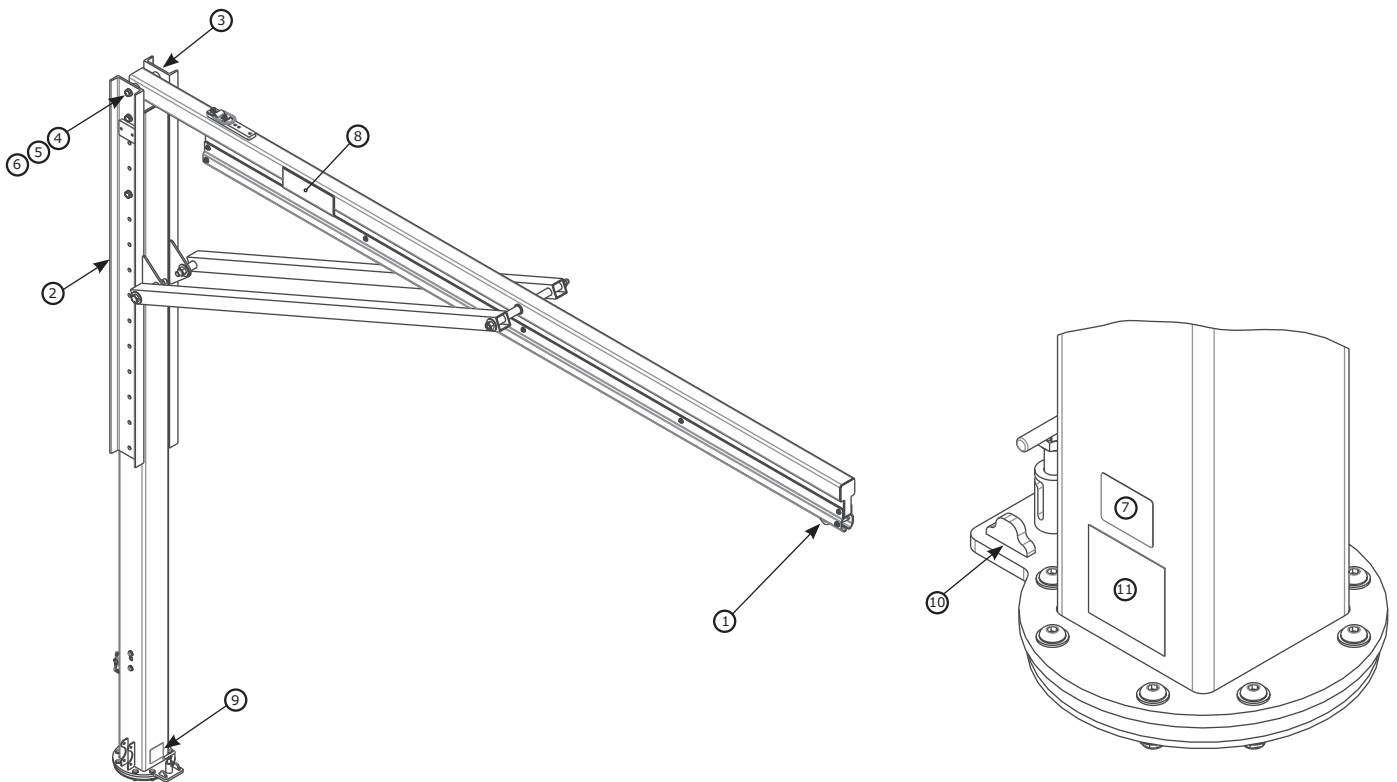
Componentes do Braço de Lança de Guindaste Modular Semifixo

FICHA DE DADOS TÉCNICOS: 8530899-8530901

3M

**DBI
SALA**

Fall Protection



	Número da peça	Descrição	Material	Quantidade
①	8521711	Carrinho	Aço Inoxidável, Aço, Nylon	1
②	8549933	Canal do Suporte de Resgate	Aço	1
③	8550248	Canal	Aço	1
④	8526654	Parafuso 3/4" x 9"	Aço	2
⑤	8522275	Anilha 3/4"	Aço	4
⑥	8518276	Porca 3/4"	Aço	2
⑦	9514429	Etiqueta de identificação	Poliéster	1

	Número da peça	Descrição	Material	Quantidade
⑧	9515111	Etiqueta 3M	Poliéster	2
⑨	9515101	Etiqueta de Rotação	Poliéster	1
⑩	8550125	Batente de Rotação	Aço	2
⑪	9515112	Etiqueta do Utilizador	Poliéster	1

Braço de Lança de Guindaste Modular Ajustável

FICHA DE DADOS TÉCNICOS: 8530895-8530898





Fall Protection

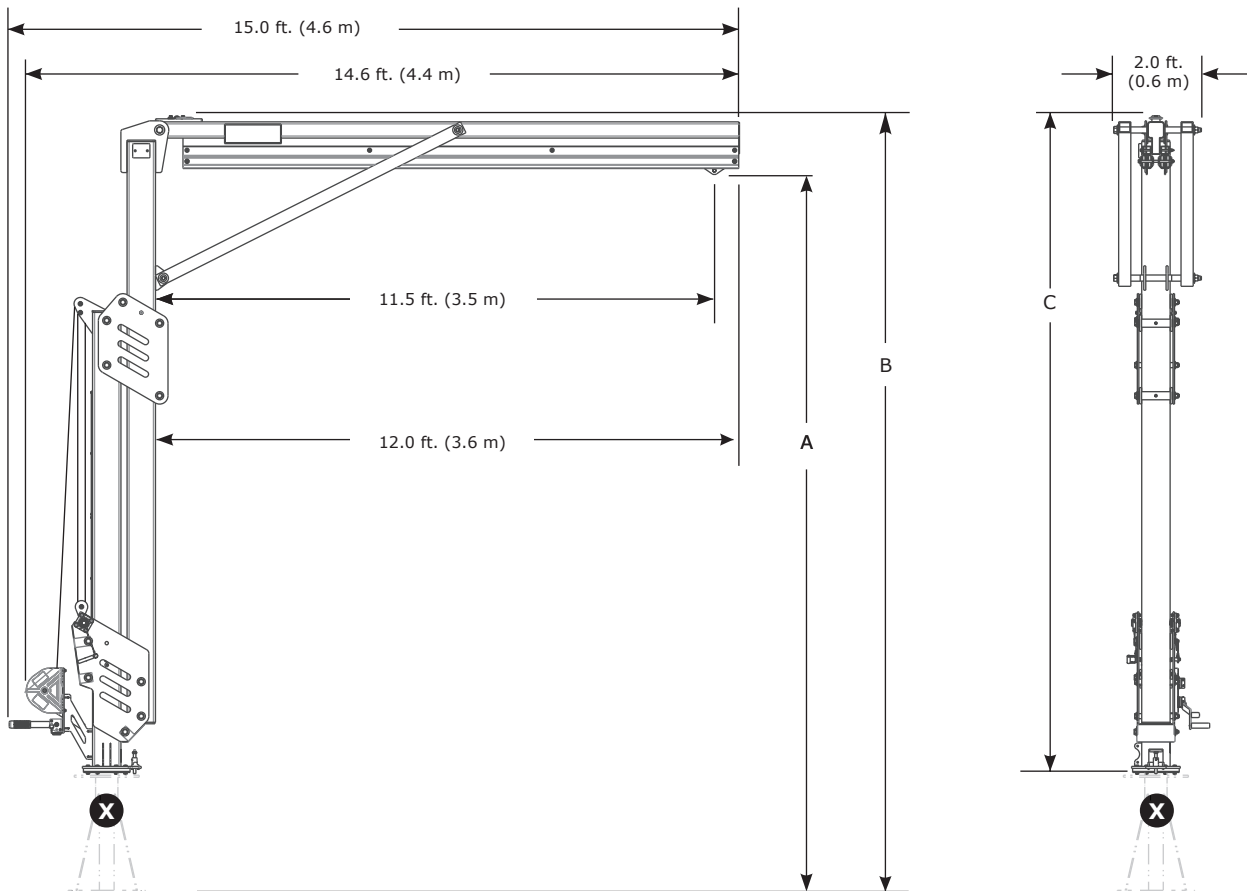
APLICAÇÃO:

O Braço de Lança de Guindaste Modular M200 foi projetado para fornecer pontos de ligação de ancoragem para o sistema de Detenção de Queda.

Para mais informações sobre a instalação do produto, consulte o manual de instruções da 3M para o Braço de Lança do Guindaste M200 (5908372).

Normas: CEN/TS 16415:2013 (Tipo E), EN795:2012 (Tipo E), OSHA 1910.140 e OSHA 1926.502

	≤ 1350 lb. (6 kN)
2x 	≤ 310 lb. (140 kg)



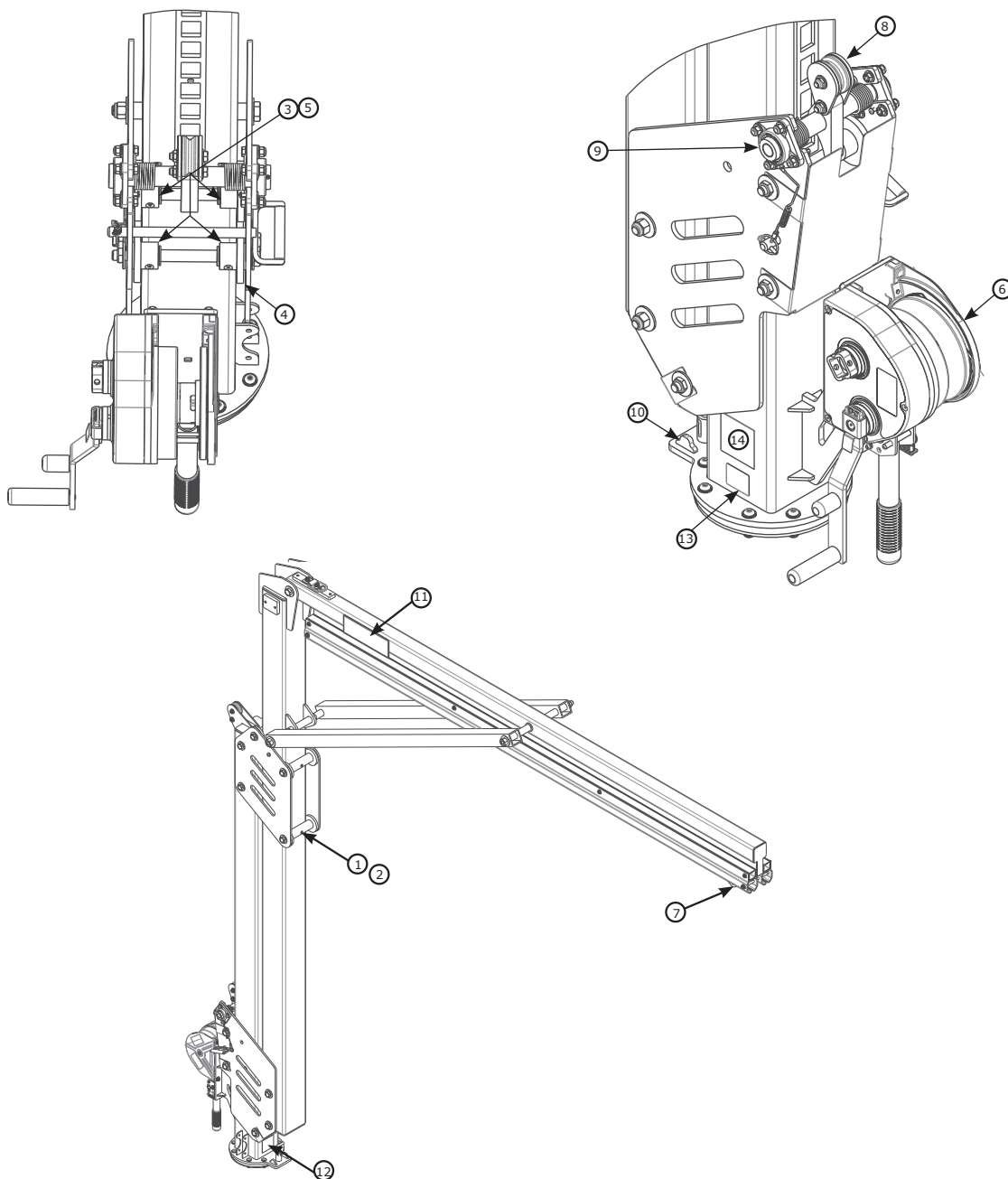
	A	B	C	lb. (kg)
8530895	12.3 ft. - 15,0 ft. (3,8 m - 4,6 m)	13.4 ft. - 16,1 ft. (4,1 m - 4,9 m)	11.0 ft. - 13,7 ft. (3,4 m - 4,2 ft.)	1 011 lb. (459 kg)
8530896	14.8 ft. - 20,0 ft. (4,5 m - 6,1 m)	15.9 ft. - 21,1 ft. (4,8 m - 6,4 m)	13.5 ft. - 18,7 ft. (4,1 m - 5,7 m)	1 123 lb. (509 kg)
8530897	17.3 ft. - 25,0 ft. (5,3 m - 7,6 m)	18.4 ft. - 26,1 ft. (5,6 m - 8,0 m)	16,0 - 23,7 ft. (4,9 m - 7,2 m)	1 235 lb. (560 kg)
8530898	19.8 ft. - 30,0 ft. (6,0 m - 9,1 m)	20.9 ft. - 31,1 ft. (6,4 m - 9,5 m)	18.5 ft. - 28,7 ft. (5,6 m - 8,7 m)	1 343 lb. (609 kg)

Componentes do Braço de Lança de Guindaste Modular Ajustável

FICHA DE DADOS TÉCNICOS: 8530895-8530898



Fall Protection



Lista de Componentes				
	Número da peça	Descrição	Material	Quantidade
①	8550046	Rolo Largo	Nylon	4
②	8550047	Espaçador do Rolo Largo	Aço inoxidável 304	4
③	8550327	Rolo Estreito	Nylon	4
④	9514703	Rolo Lateral	Nylon	12
⑤	8550213	Espaçador do Rolo Estreito	Aço inoxidável 304	4
⑥	8549930	Guincho	Aço	1
⑦	8521711	Carrinho	Aço, Nylon	1

Lista de Componentes				
	Número da peça	Descrição	Material	Quantidade
⑧	8550223	Mecanismo de Bloqueio (apenas reparações autorizadas)	Aço, Nylon	1
⑨	9515138	Rolamentos	Aço	2
⑩	8550125	Batente de Rotação	Aço	2
⑪	9515111	Etiqueta 3M	Poliéster	2
⑫	9515101	Etiqueta de Rotação	Poliéster	1
⑬	9514429	Etiqueta de identificação	Poliéster	1
⑭	9515112	Etiqueta do Utilizador	Poliéster	1

Braço de Lança de Guindaste Modular Semifixo

FICHA DE DADOS TÉCNICOS: 8530902-8530904





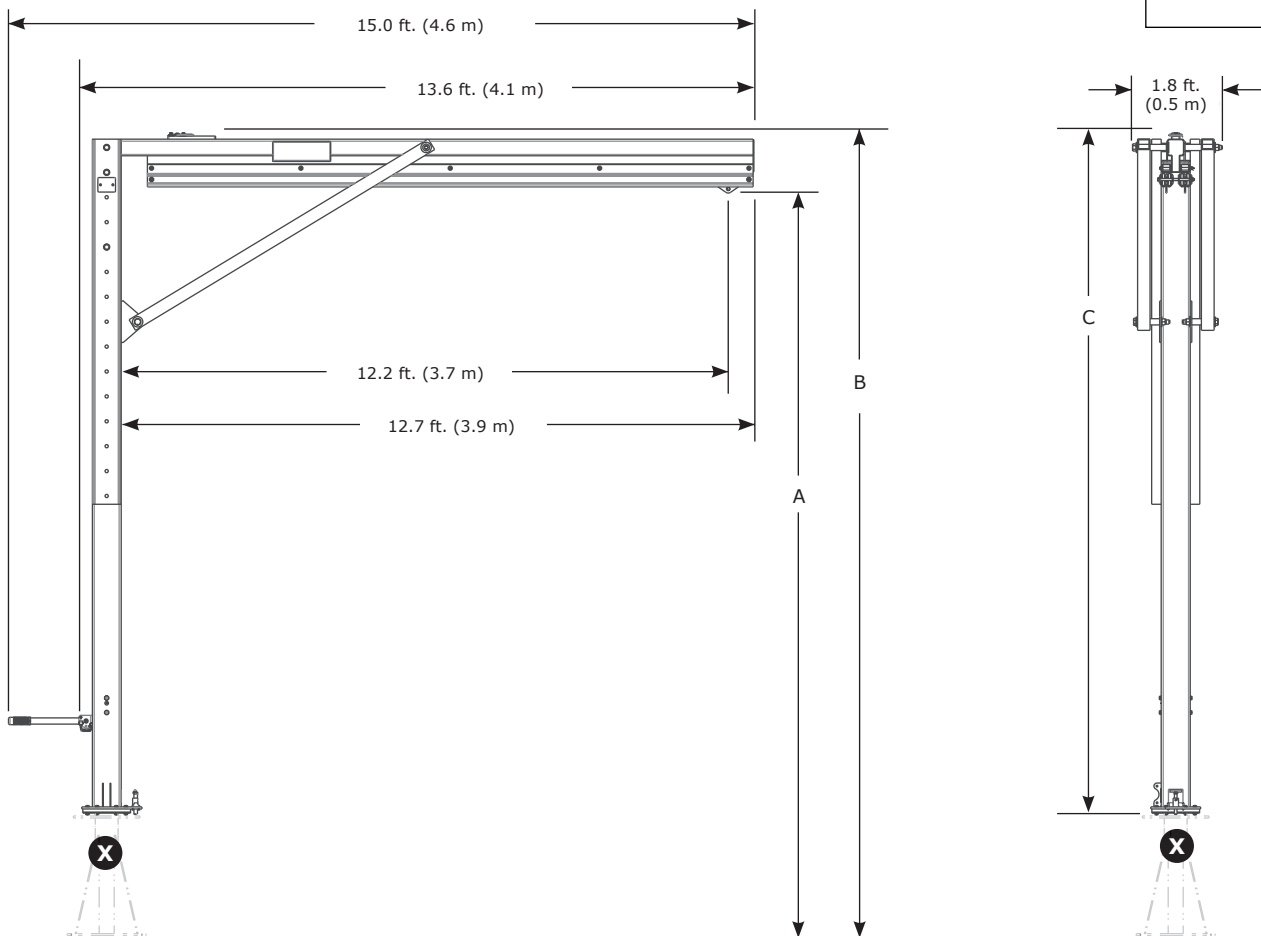
Fall Protection

APLICAÇÃO:

O Braço de Lança de Guindaste Modular M200 foi projetado para fornecer pontos de ligação de ancoragem para o sistema de Detenção de Queda. Para mais informações sobre a instalação do produto, consulte o manual de instruções da 3M para o Braço de Lança do Guindaste M200 (5908372).

Normas: CEN/TS 16415:2013 (Tipo E), EN795:2012 (Tipo E), OSHA 1910.140 e OSHA 1926.502.

	≤ 1350 lb. (6 kN)
2x 	≤ 310 lb. (140 kg)



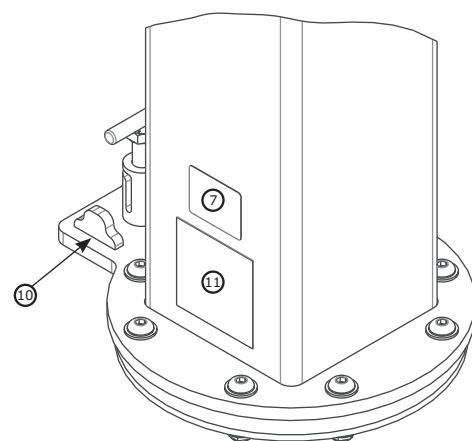
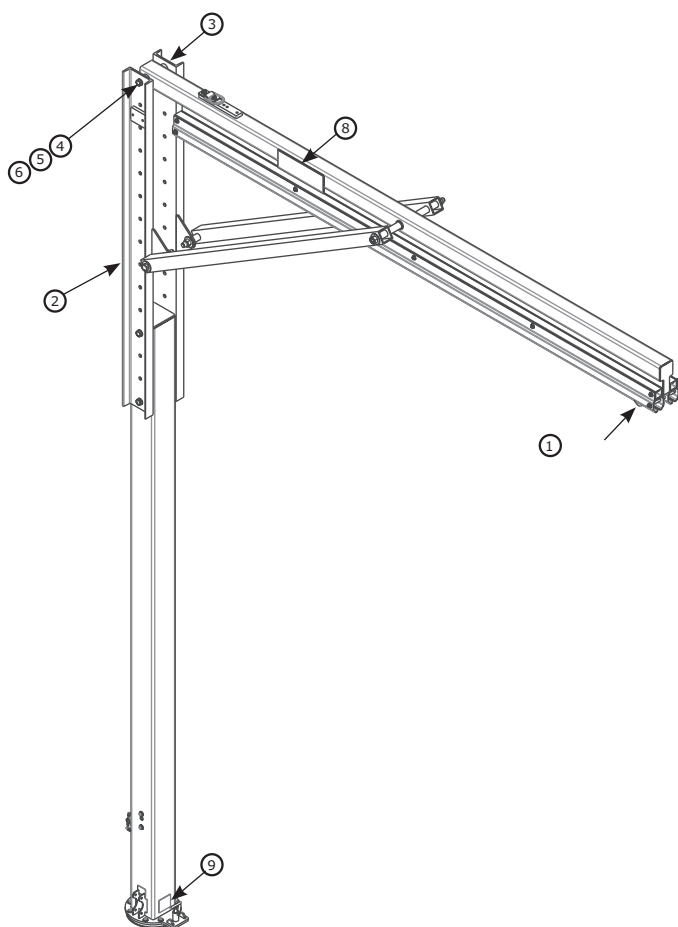
	A	B	C	lb. (kg)
8530902	15.0 ft. – 20,0 ft. (4,6 m – 6,1 m)	16.1 ft. – 21,1 ft. (4,9 m – 6,4 m)	13.7 ft. – 18,7 ft. (4,2 m – 5,7 m)	850 lb. (386 kg)
8530903	20.0 ft. – 25,0 ft. (6,1 m – 7,6 m)	21.1 ft. – 26,1 ft. (6,4 m – 7,9 m)	18.7 ft. – 23,7 ft. (5,7 m – 7,2 m)	961 lb. (436 kg)
8530904	25.0 ft. – 30,0 ft. (7,6 m – 9,1 m)	26.1 ft. – 31,1 ft. (7,9 m – 9,6 m)	23.7 ft. – 28,7 ft. (7,2 m – 8,7 m)	1 073 lb. (487 kg)

Componentes do Braço de Lança de Guindaste Modular Semifixo

FICHA DE DADOS TÉCNICOS: 8530902-8530904



Fall Protection



	Número da peça	Descrição	Material	Quantidade
①	8521711	Carrinho	Aço Inoxidável, Aço, Nylon	1
②	8549933	Canal do Suporte de Resgate	Aço	1
③	8550248	Canal	Aço	1
④	8526654	Parafuso 3/4" x 9"	Aço	2
⑤	8522275	Anilha 3/4"	Aço	4
⑥	8518276	Porca 3/4"	Aço	2
⑦	9514429	Etiqueta de identificação	Poliéster	1

	Número da peça	Descrição	Material	Quantidade
⑧	9515111	Etiqueta 3M	Poliéster	2
⑨	9515101	Etiqueta de Rotação	Poliéster	1
⑩	8550125	Batente de Rotação	Aço	2
⑪	9515112	Etiqueta do Utilizador	Poliéster	1

Base do Contrapeso M200

FICHA DE DADOS TÉCNICOS: 8530886, 8530887



Fall Protection

APLICAÇÃO:

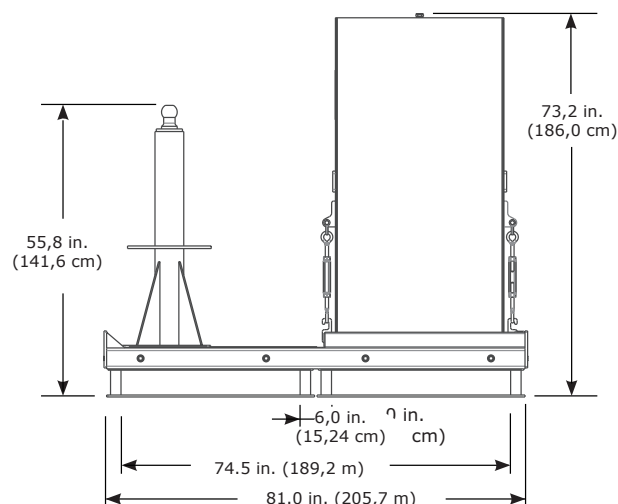
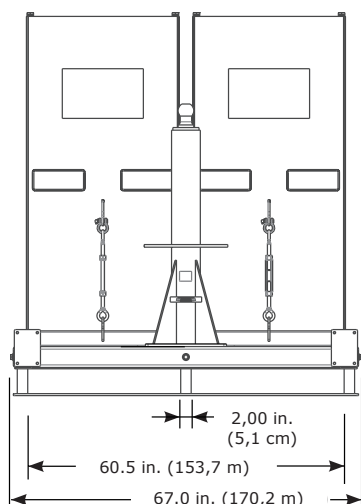
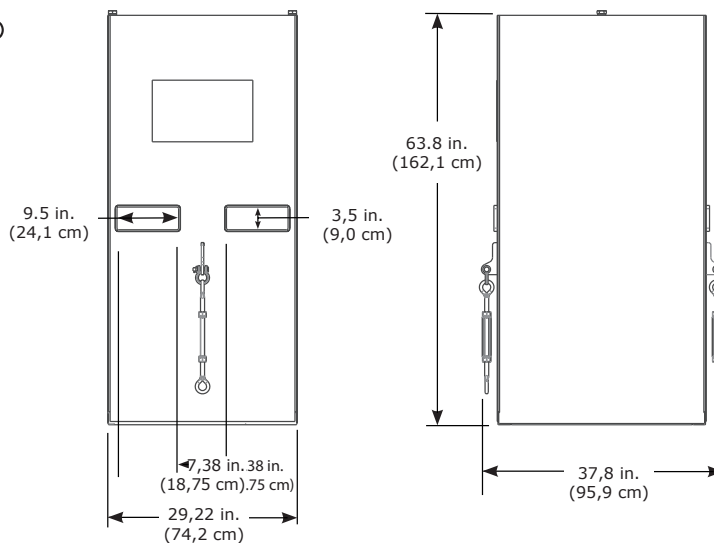
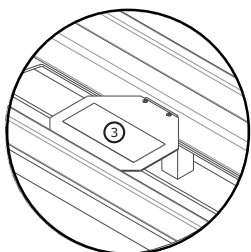
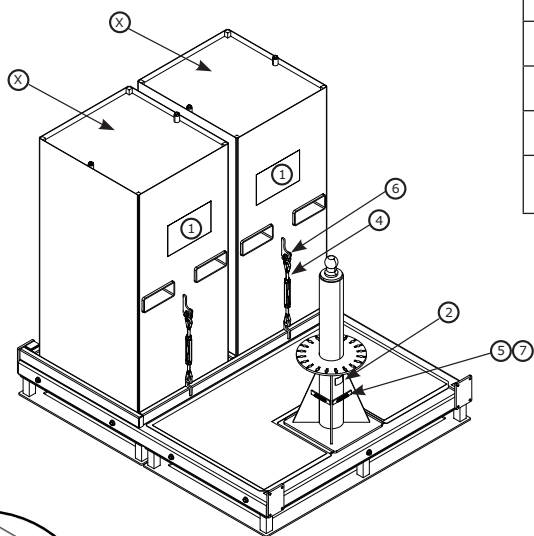
A Base do Contrapeso foi desenvolvida para ser enchida de cimento e utilizada como um ponto de montagem do Sistema de Lança de Guindaste Modular M200 Flexiguard™ DBI-SALA® da 3M™.

Para mais informações sobre a instalação do produto, consulte o manual de instruções da 3M para a Base de Cimento M200 (5908374).

Normas: CEN/TS 16415:2013 (Tipo E), EN795:2012 (Tipo E), OSHA 1910.140 e OSHA 1926.502

	X 4,000 psi (30 MPa)	Requisitos da Estrutura de Suporte	Peso Líquido
8530886		14 645 lb. (6 643 kg) + Peso dos Braços da Lança M200	2 407 lb. (1 092 kg)
8530887	✓		11 325 lb. (5 137 kg)

Lista de Componentes				
	Número da peça	Descrição	Material	Quanti- dade
①	9515107	Etiqueta do Utilizador	Poliéster	1
②	9514429	Etiqueta de identificação	Poliéster	1
③	9515106	Etiqueta de aviso	Poliéster	1
④	8520575	Fivela	Aço	2
⑤	9513627	Parafuso N.º 4	Aço	4
⑥	9501794	Algema	Aço	2
⑦	9515058	Bolha de Nivelção	Plástico	2

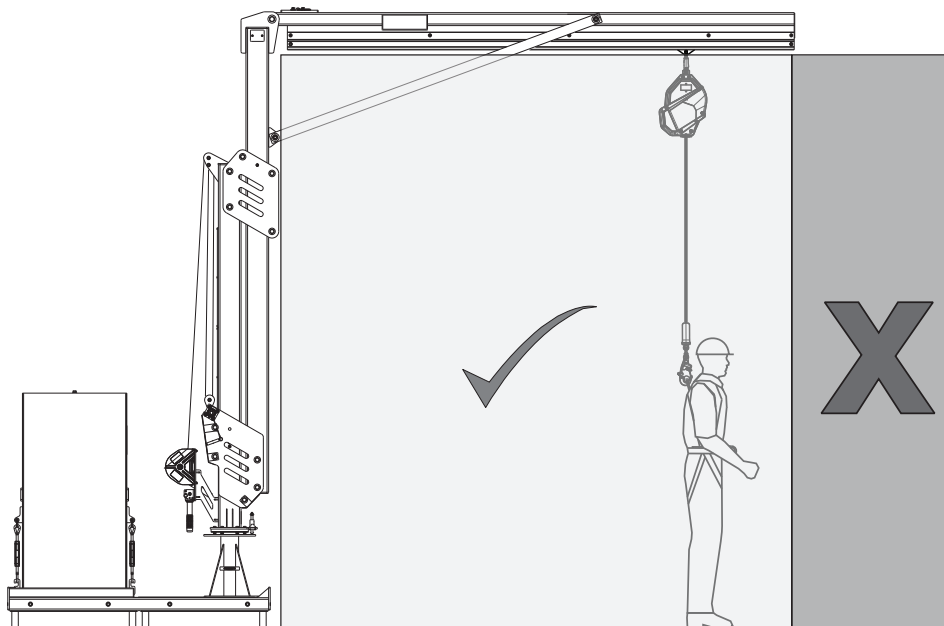
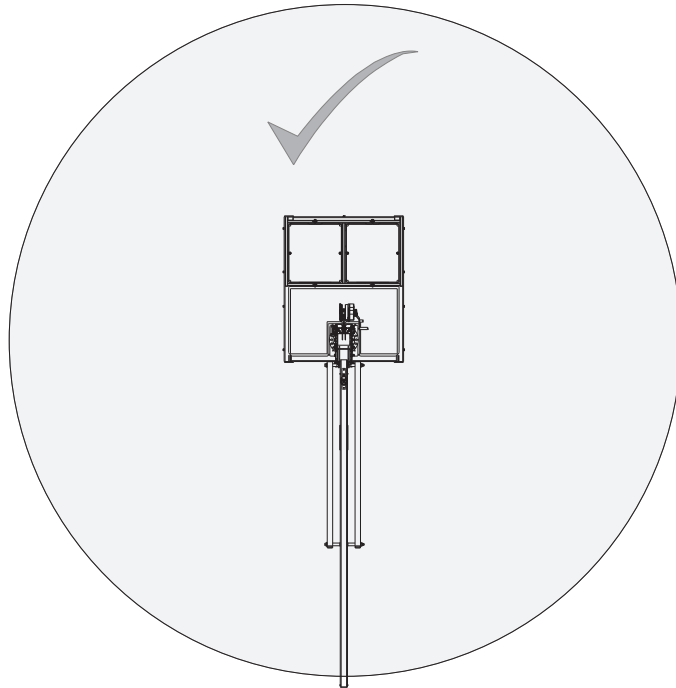


Área de Trabalho da Base do Contrapeso M200
FICHA DE DADOS TÉCNICOS: 8530886, 8530887



APLICAÇÃO:

Consulte o diagrama abaixo para a área de trabalho das Bases de Cimento M200.



Acessórios da Base do Contrapeso M200

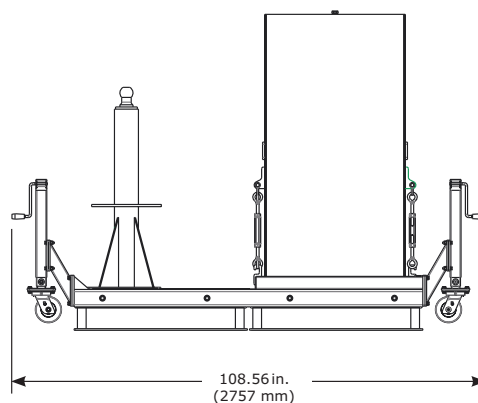
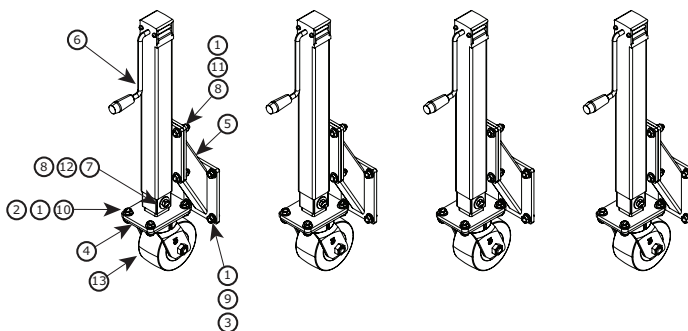
FICHA DE DADOS TÉCNICOS: 8530908, 8530907, 8530777



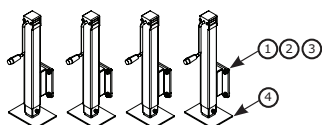
Fall Protection

	Peso
8530908	152 lb. (69 kg)

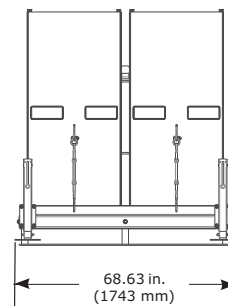
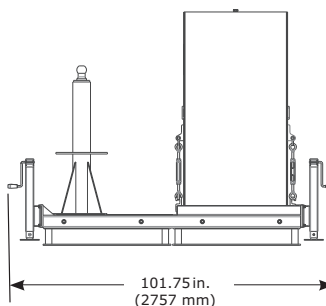
Lista de Componentes				
	Número da peça	Descrição	Material	Quantidade
①	8510037	Anilha 1/2"	Aço	80
②	8512460	Parafuso 1/2" X 1 1/4"	Aço	16
③	8518432	Parafuso 1/2" x 1"	Aço	16
④	8550153	Soldadura da Roda	Aço	4
⑤	8550155	Soldadura Angular	Aço	4
⑥	8550156	Soldadura Montada	Aço	4
⑦	9501243	Anilha 1/2"	Aço	8
⑧	9501831	Porca Sextavada 1/2"	Aço	20
⑨	9504221	Anilha 1/2"	Aço	16
⑩	9504813	Porca Sextavada 1/2"	Aço	16
⑪	9509276	Parafuso 1/2" x 1 3/4"	Aço	16
⑫	9510153	Parafuso 1/2" x 3 1/4"	Aço	4
⑬	9515081	Rodízio	Aço, Uretano	4



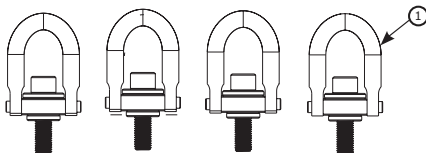
	Peso
8530907	108 lb. (49 kg)



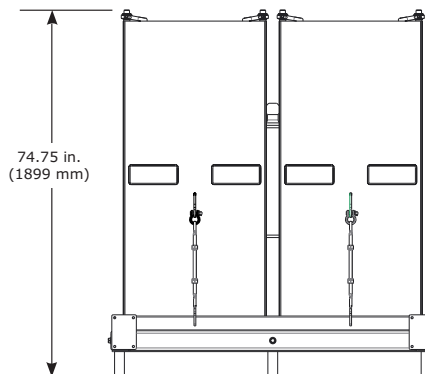
	Número da peça	Descrição	Material	Quantidade
①	9504221	Anilha de Bloqueio 1/2"	Aço	16
②	8510037	Anilha 1/2"	Aço	16
③	8518432	Parafuso 1/2" x 1"	Aço	16
④	8550177	Soldadura da Roda	Aço	4



	Peso
8530777	12 lb. (5,4 kg)




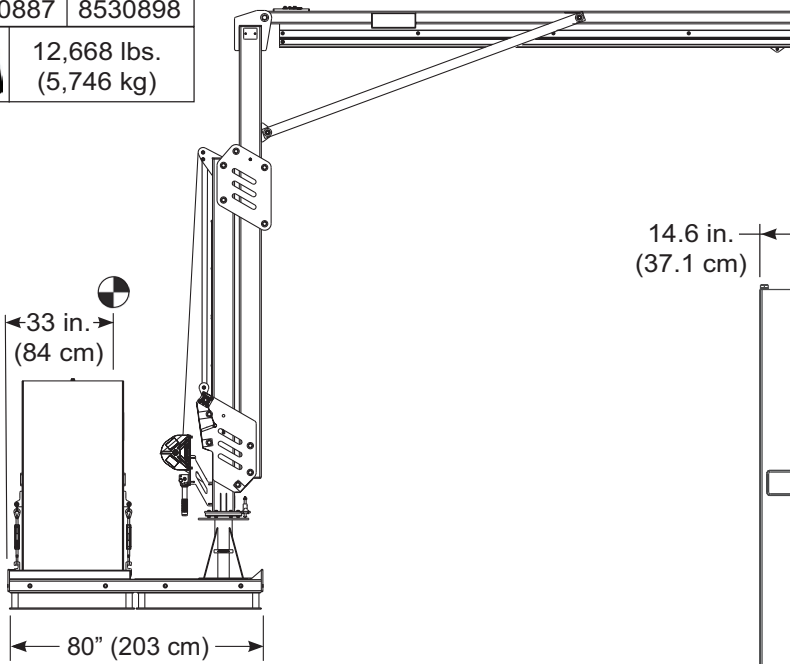
Lista de Componentes				
	Número da peça	Descrição	Material	Quantidade
①	9512574	Anel de Elevação	Aço	4




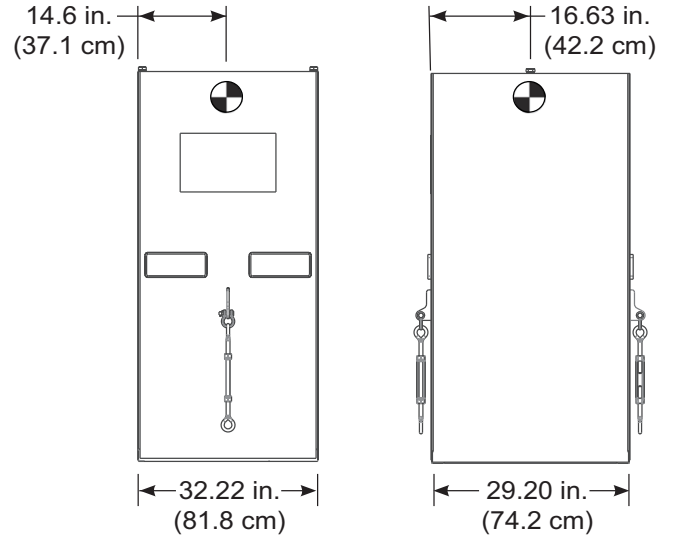
Centro de Gravidade da Base do Contrapeso M200
FICHA DE DADOS TÉCNICOS: 8530886, 8530887




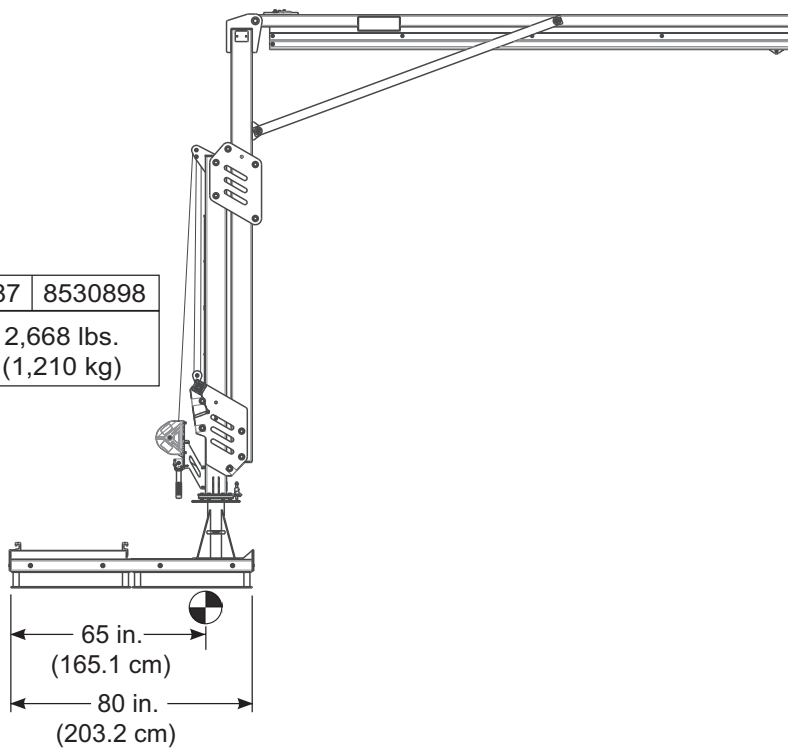
8530887	8530898
 12,668 lbs. (5,746 kg)	




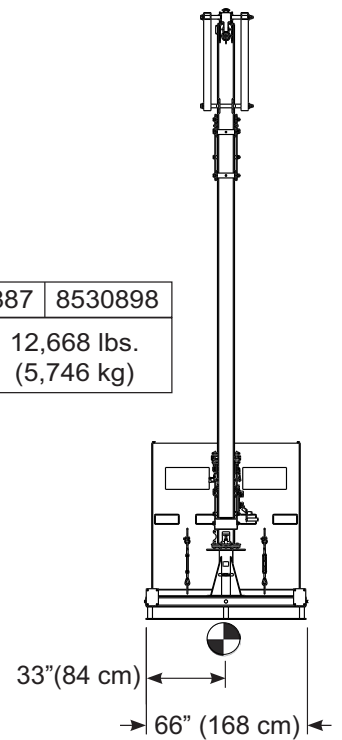
 5,000 lbs. (2,268 kg)
--



8530887	8530898
 2,668 lbs. (1,210 kg)	



8530887	8530898
 12,668 lbs. (5,746 kg)	



Base de Montagem no Chão M200

FICHA DE DADOS TÉCNICOS: 8530888



Fall Protection

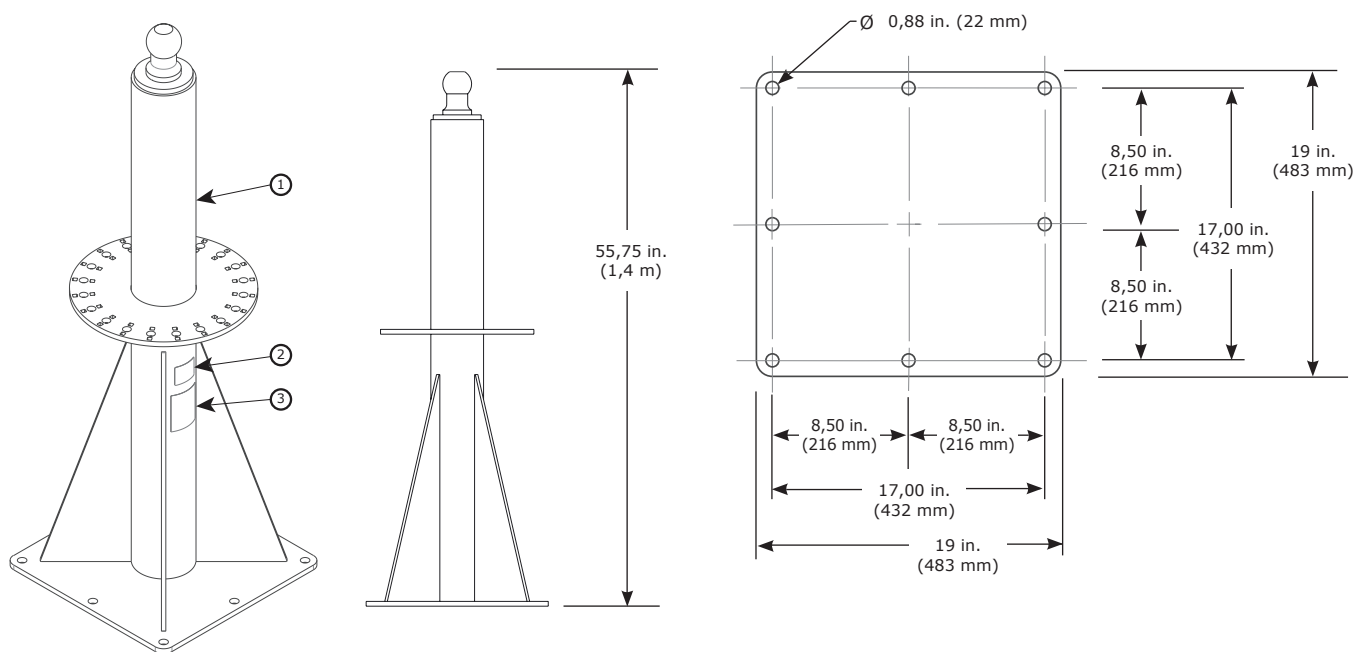
APLICAÇÃO:

A Base de Montagem no Chão foi desenvolvida para ser ancorada a estruturas aprovadas e utilizada como ponto de montagem do Sistema de Lança de Guindaste Modular M200 da 3M.

Para mais informações sobre a instalação do produto, consulte o manual de instruções da 3M para a Base de Montagem no Chão M200 (5908375).

Normas: CEN/TS 16415:2013 Tipo A, EN795:2012 Tipo A, OSHA 1910.140, OSHA 1926.502

	Peso Líquido
8530888	265 lb. (120 kg)



Lista de Componentes				
	Número da peça	Descrição	Material	Quantidade
①	8549921	Soldadura da Base	Aço	1
②	9514429	Etiqueta de identificação	Poliéster	1
③	9515114	Etiqueta do Utilizador	Poliéster	1

Requisitos de montagem		
Força mínima de extração do elemento de fixação	Carga de momento mínima da estrutura de montagem	Carga Vertical Mínima da Estrutura de Montagem
9 386 lb. (4 257 kg)	56 677 N-m (501,633 pol-lb)	3,320 lb. (1,506 kg) + Peso Base + Peso dos Braços da Lança M200

Base de Montagem de Nivelção M200

FICHA DE DADOS TÉCNICOS: 8530889, 8530920, 8530921



Fall Protection

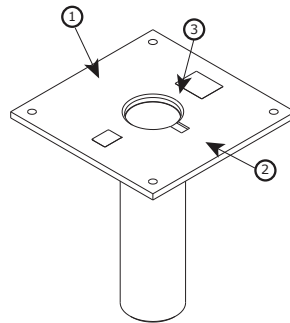
APLICAÇÃO:

A Base de Montagem de Nivelção foi desenvolvida para ser ancorada a estruturas aprovadas e utilizada como ponto de montagem do Sistema de Lança de Guindaste Modular M200 da 3M.

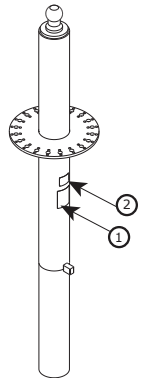
Para mais informações sobre a instalação do produto, consulte o manual de instruções da 3M para a Base de Montagem de Nivelção M200 (5908375).

Normas: CEN/TS 16415:2013, EN795:2012 Tipo A, OSHA 1910.140, OSHA 1926.502

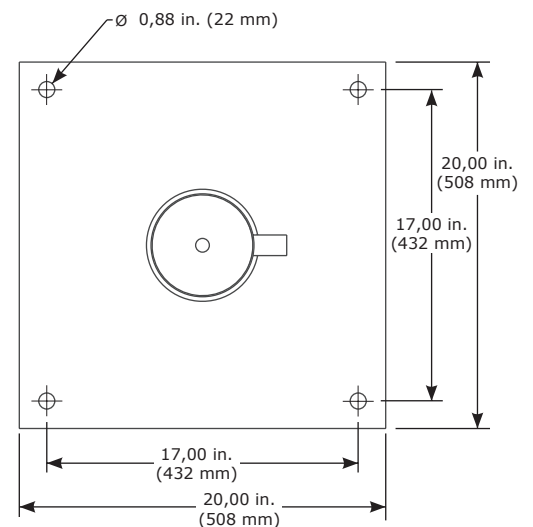
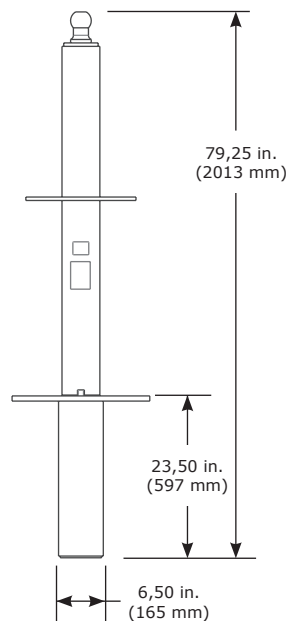
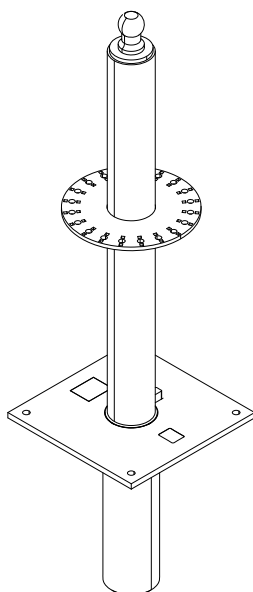
	Peso Líquido
8530920	140 lb. (64 kg)



	Peso Líquido
8530921	237 lb. (107 kg)



	Peso Líquido
8530889	377 lb. (171 kg)



Lista de Componentes				
	Número da peça	Descrição	Material	Quantidade
①	9515114	Etiqueta do Utilizador	Poliéster	1
②	9514429	Etiqueta de identificação	Poliéster	1
③	8550165	Tampa da Base	Borracha de Alumínio	1

Requisitos de montagem	
Carga de momento mínima da estrutura de montagem	Carga Vertical Mínima da Estrutura de Montagem
56 677 N-m (501,633 pol-lb)	3,320 lb. (1,506 kg) + Peso Base + Peso dos Braços da Lança M200

**Bases de Montagem no Chão M200 da
Área de Trabalho**
FICHA DE DADOS TÉCNICOS: 8530888, 8530889

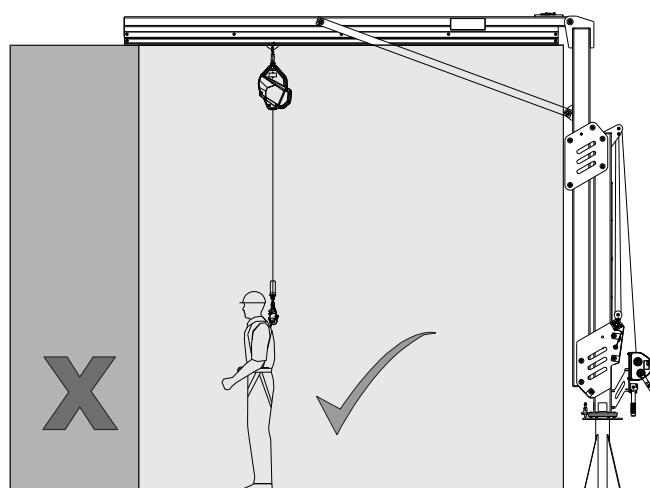
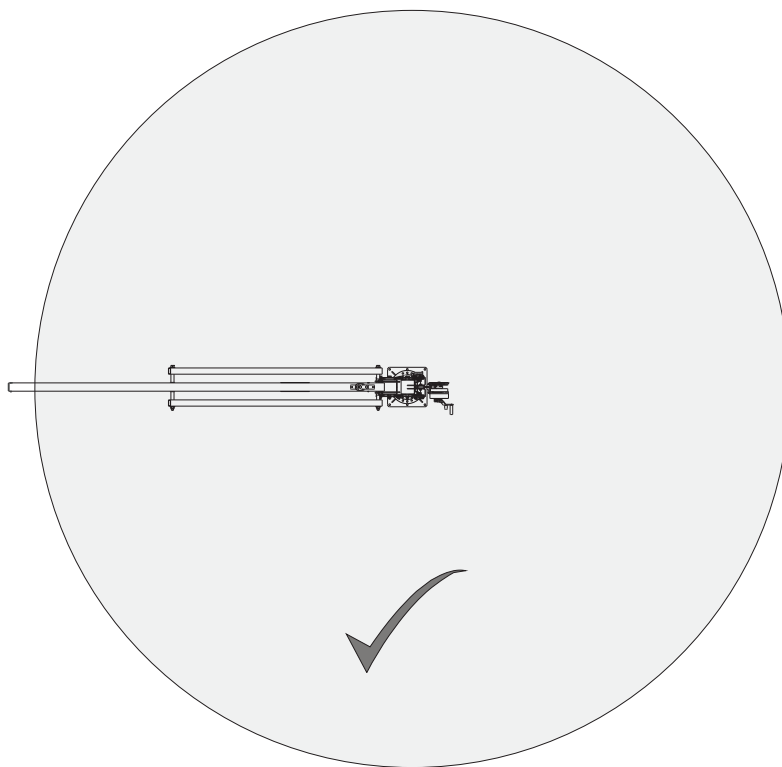
3M

**DBI
SALA**

Fall Protection

APLICAÇÃO:

Consulte o diagrama abaixo para a área de trabalho das Bases de Montagem no Chão.



Kit de Bolsa de Chão M200

FICHA DE DADOS TÉCNICOS: 8530912

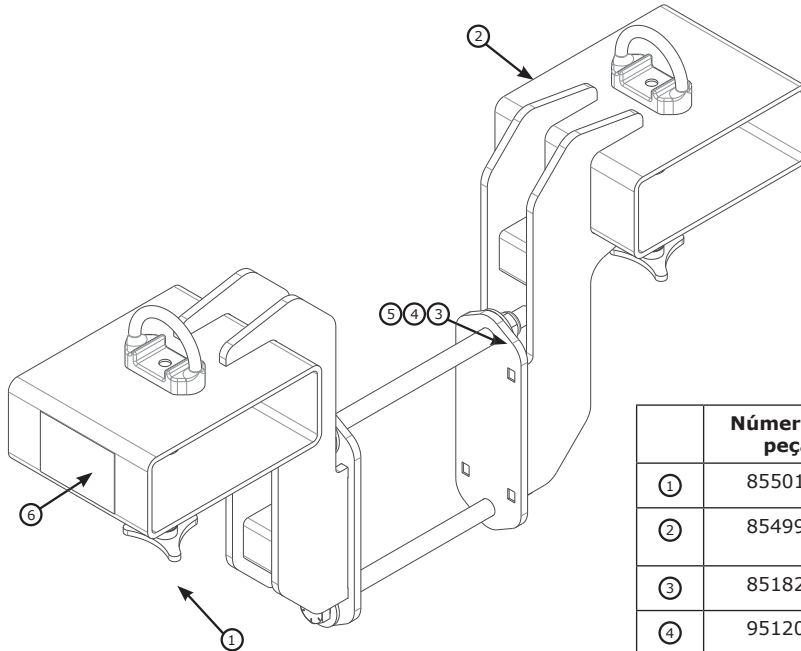


Fall Protection

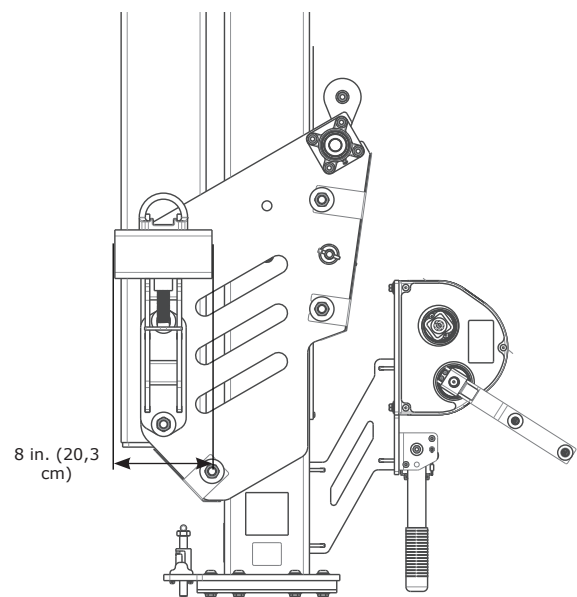
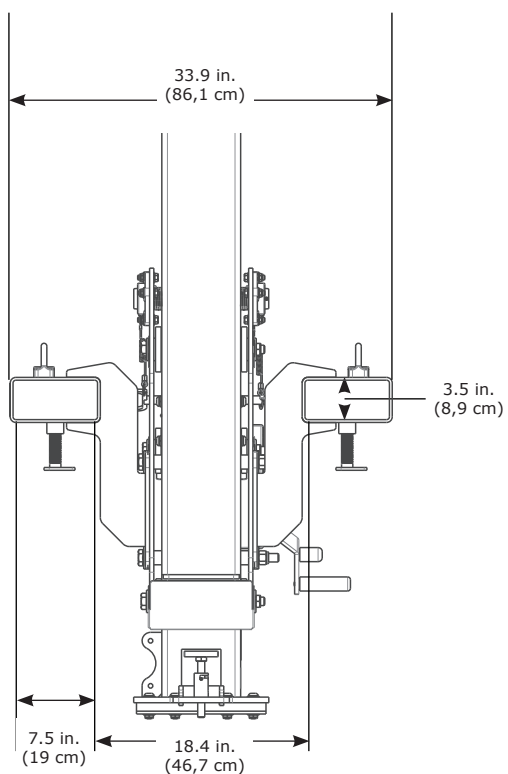
APLICAÇÃO:

O Kit de Bolsa de Chão M200 foi concebido para transportar os Braços da Lança Ajustáveis.

Consulte as folhas listadas para obter as especificações dos componentes.



	Número da peça	Descrição	Quantidade
①	8550127	Parafusos tri-asa	2
②	8549905	Soldadura da Bolsa de Empilhamento	2
③	8518276	Porca Sextavada 3/4"	2
④	9512004	Porca 3/4" X 12"	2
⑤	M970033018	Anilha 3/4"	4
⑥	9515122	Etiqueta do Utilizador	1
	9500146	Elo da Corrente	2
	8517096	Corrente	10 ft.

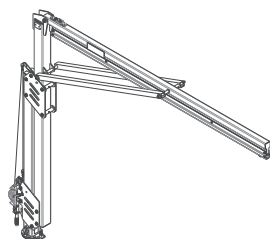
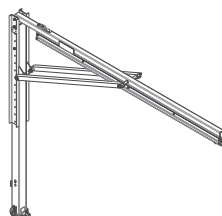
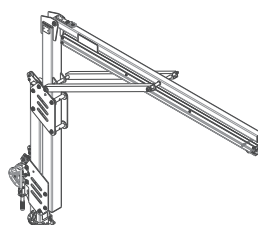
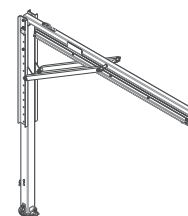
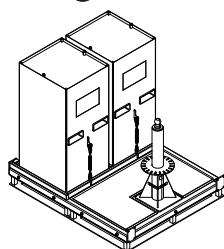
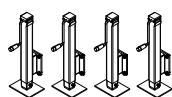
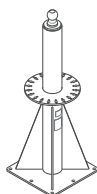
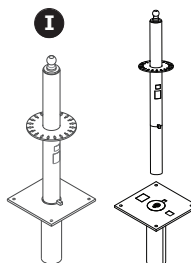
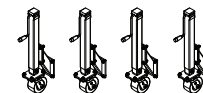
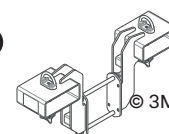


3M**DBI
SALA®**

Fall Protection

CE**OSHA****3M™ DBI-SALA® Flexiguard™
Modulära svängarmssystem
M200****Förpackning med tekniska
datablad
5908526 Rev. C**

Textbal- long	Tekniskt datablad	Beskrivning	Sida
A	8530891	3,8 m–4,6 m (12,3 ft–15 ft) svängarm justerbar	191
	8530892	4,5 m–6,1 m (14,8 ft–20 ft) svängarm justerbar	191
	8530893	5,3 m–7,6 m (17,3 ft–25 ft) svängarm justerbar	191
	8530894	6,1 m–9,1 m (19,8 ft–30 ft) svängarm justerbar	191
B	8530899	4,6 m–6,1 m (15 ft–20 ft) svängarm semifast	193
	8530900	6,1 m–7,6 m (20 ft–25 ft) svängarm semifast	193
	8530901	7,6 m–9,1 m (25 ft–30 ft) svängarm semifast	193
C	8530895	3,8 m–4,6 m (12,3 ft–15 ft) svängarm justerbar	195
	8530896	4,5 m–6,1 m (14,8 ft–20 ft) svängarm justerbar	195
	8530897	5,3 m–7,6 m (17,3 ft–25 ft) svängarm justerbar	195
	8530898	6,1 m–9,1 m (19,8 ft–30 ft) svängarm justerbar	195
D	8530902	4,6 m–6,1 m (15 ft–20 ft) svängarm semifast	197
	8530903	6,1 m–7,6 m (20 ft–25 ft) svängarm semifast	197
	8530904	7,6 m–9,1 m (25 ft–30 ft) svängarm semifast	197
E	8530886	Ofylld motviktbas	199
	8530887	Fylld motviktbas	199
F	8530907	Motviktsbas stödben	201
G	8530777	Motviktsbas lyftringar	201
H	8530888	Golvmonterad bas	203
I	8530889, 8530920, 8530921	Infälld monteringsbas	204
J	8530908	Motviktsbas hjul	201
K	8530912	Sats med gaffelficka	206

A**B****C****D****E****F****H****I****J****G****K**

Modulär svängarm justerbar

TEKNISKT DATABLAD: 8530891–8530894



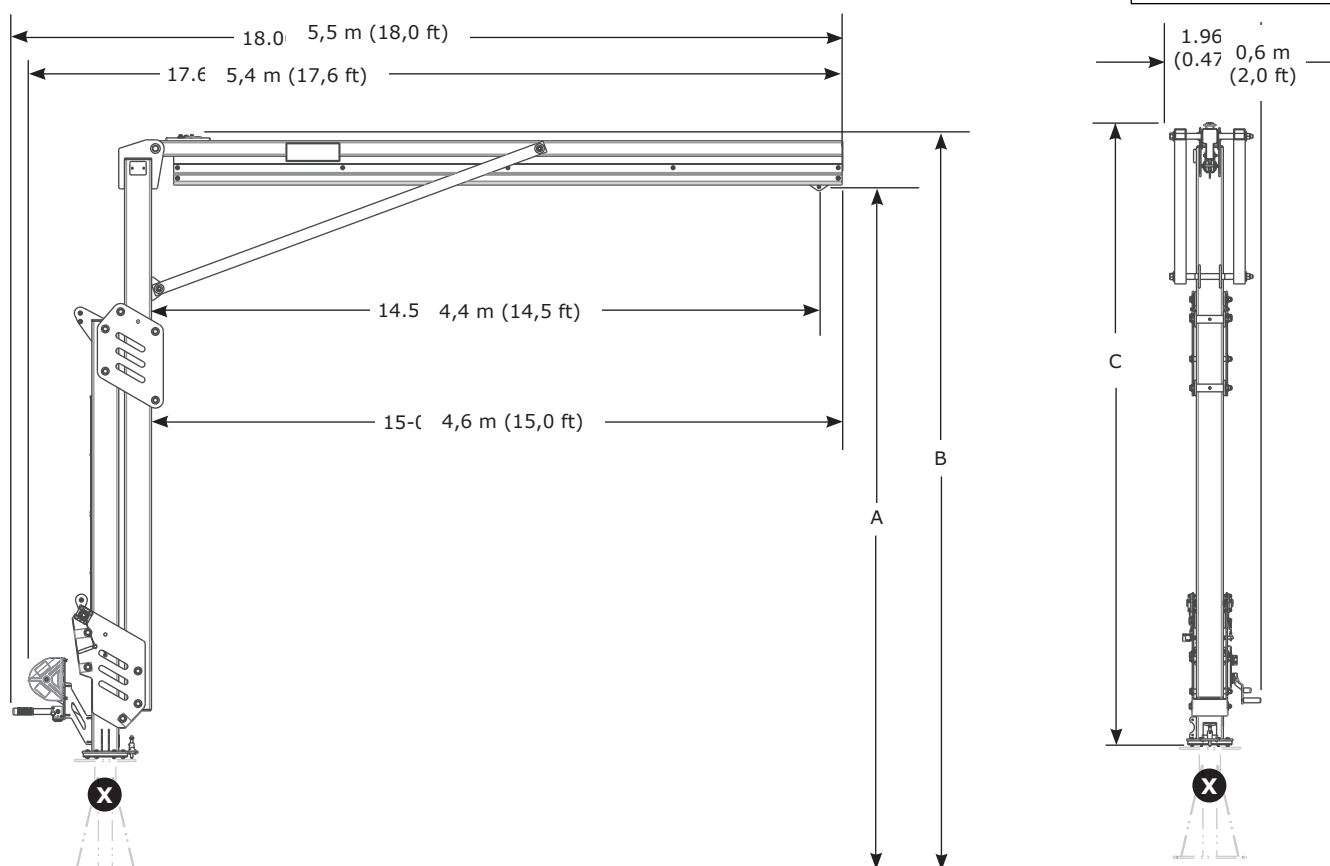
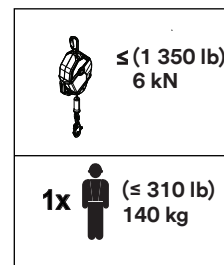
Fall Protection

TILLÄMPNING:

M200 Modulär svängarm är utformad för att tillhandahålla förankringsanslutningspunkter för ett fallskyddssystem.

Mer information om produktinstallation finns i 3M bruksanvisning för M200 Svängarm (5908372).

Standarder: EN795:2012 Typ E, OSHA 1910.140, OSHA 1926.502



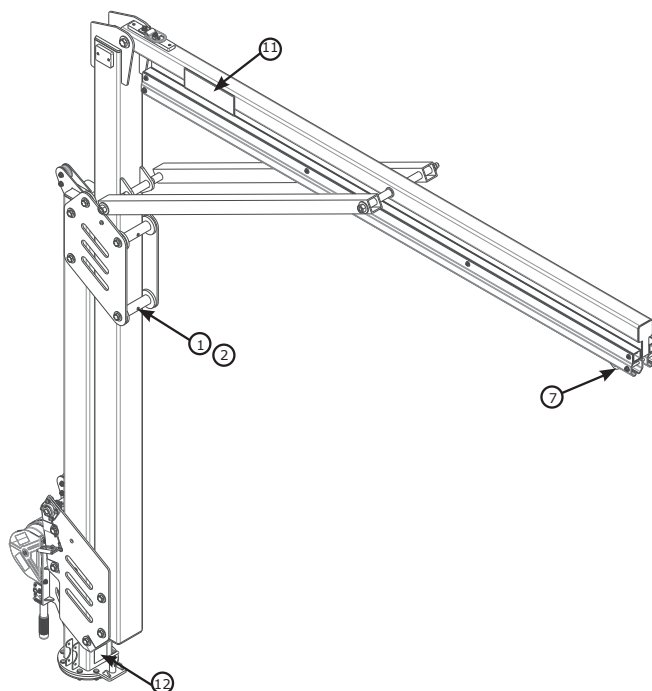
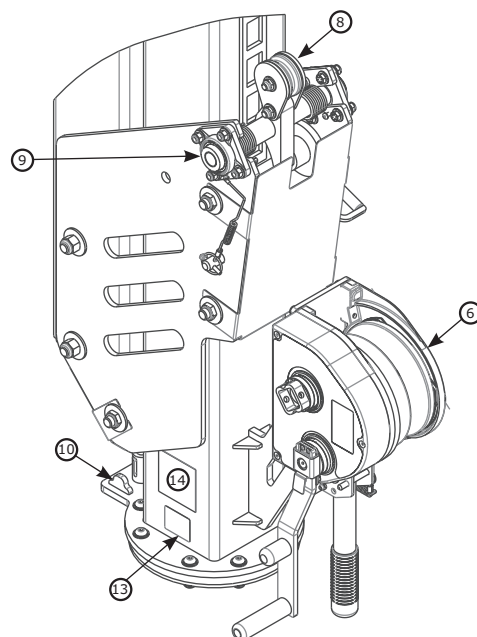
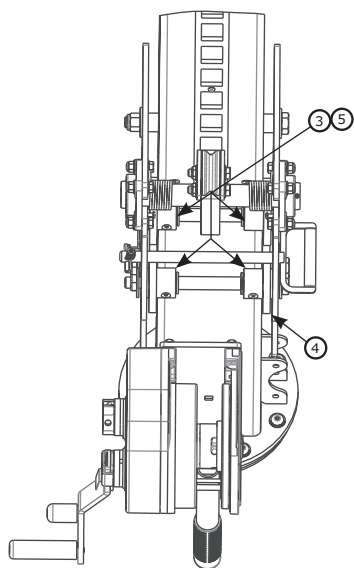
	A	B	C	kg (lb)
8530891	3,8 m–4,6 m (12,3 ft –15,0 ft)	4,1 m–4,9 m (13,4 ft –16,1 ft)	3,0 m–4,5 m (9,8 ft –14,8 ft)	429 kg (945 lb)
8530892	4,5 m–6,1 m (14,8 ft –20,0 ft)	4,8 m–6,4 m (15,9 ft –21,1 ft)	4,1 m–5,7 m (13,5 ft –18,7 ft)	479 kg (1 057 lb)
8530893	5,3 m–7,6 m (17,3 ft –25,0 ft)	5,6 m–8,0 m (18,4 ft –26,1 ft)	4,9 m–7,2 m (16,0–23,7 ft)	530 kg (1 169 lb)
8530894	6,0 m–9,1 m (19,8 ft –30,0 ft)	6,4 m–9,5 m (20,9 ft –31,1 ft)	5,6 m–8,7 m (18,5 ft –28,7 ft)	581 kg (1 281 lb)

Modulär svängarm justerbar komponenter

TEKNISKT DATABLAD: 8530891-8530894



Fall Protection



Komponentlista				
	Komponent-nummer	Beskrivning	Material	Antal
①	8550046	Bred rulle	Nylon	4
②	8550047	Bred rulle distans	304 rostfritt stål	4
③	8550327	Smal rulle	Nylon	4
④	9514703	Sidorulle	Nylon	12
⑤	8550213	Smal rulle distans	304 rostfritt stål	4
⑥	8549930	Vinsch	Stål	1
⑦	8521711	Vagn	Stål, nylon	1

Komponentlista				
	Komponent-nummer	Beskrivning	Material	Antal
⑧	8550223	Låsmekanism (endast godkänd reparation)	Stål, nylon	1
⑨	9515138	Lager	Stål	2
⑩	8550125	Rotationsstopp	Stål	2
⑪	9515111	3M-etikett	Polyester	2
⑫	9515101	Rotationsetikett	Polyester	1
⑬	9514429	ID-etikett	Polyester	1
⑭	9515112	Användaretikett	Polyester	1

Modulär svängarm semifast

TEKNISKT DATABLAD: 8530899-8530901



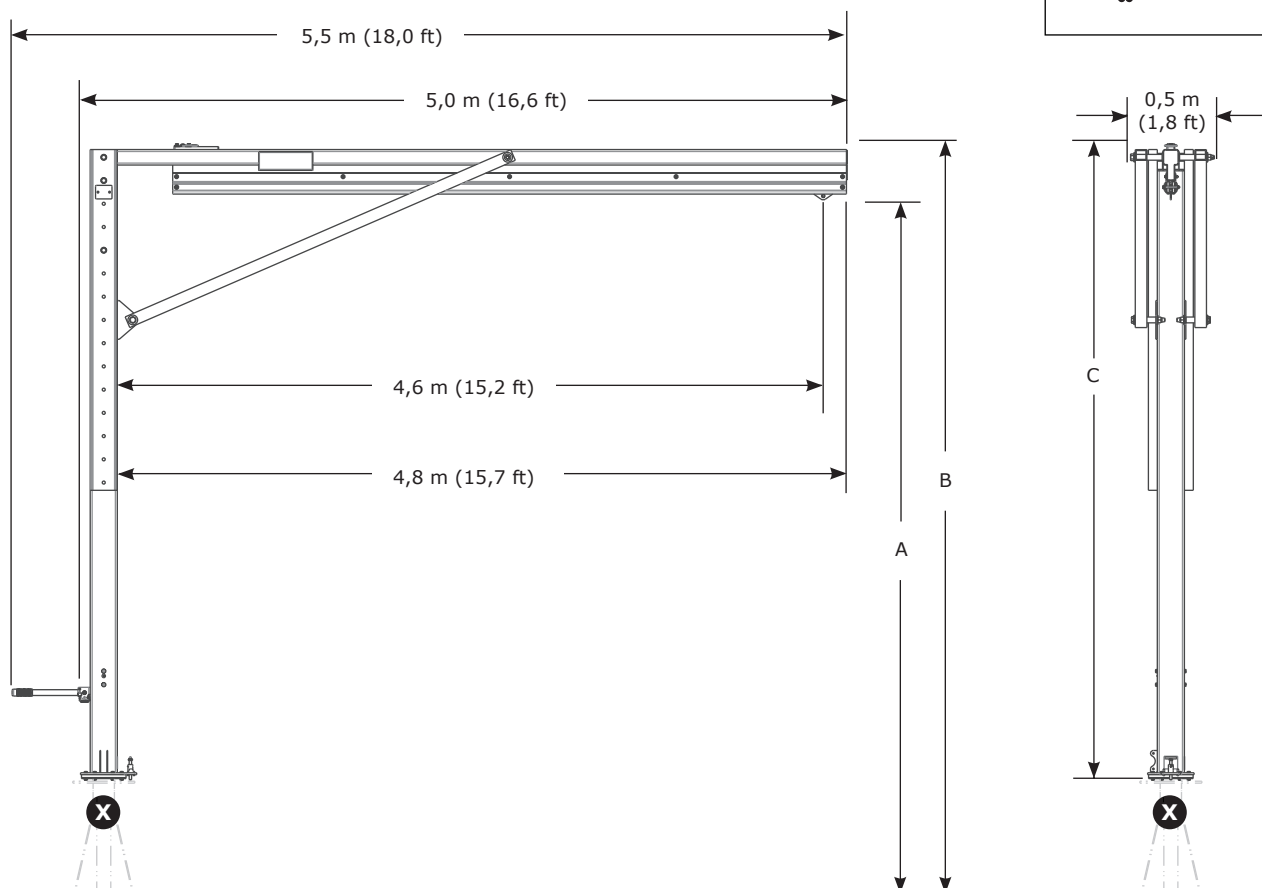
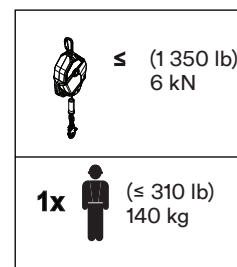
Fall Protection

TILLÄMPNING:

M200 Modulär svängarm är utformad för att tillhandahålla förankringsanslutningspunkter för ett fallskyddssystem.

Mer information om produktinstallation finns i 3M bruksanvisning för M200 Svängarm (5908372).

Standarder: EN795:2012 Typ E, OSHA 1910.140, OSHA 1926.502.



	A	B	C	kg (lb)
8530899	4,6 m-6,1 m (15,0 ft -20,0 ft)	4,9 m-6,4 m (16,1 ft -21,1 ft)	4,2 m-5,7 m (13,7 ft -18,7 ft)	371 kg (818 lb)
8530900	6,1 m-7,6 m (20,0 ft -25,0 ft)	6,4 m-7,9 m (21,1 ft -26,1 ft)	5,7 m-7,2 m (18,7 ft -23,7 ft)	422 kg (930 lb)
8530901	7,6 m-9,1 m (25,0 ft -30,0 ft)	7,9 m-9,6 m (26,1 ft -31,1 ft)	7,2 m-8,7 m (23,7 ft -28,7 ft)	472 kg (1 041 lb)
	+152 mm (6") justeringssteg			

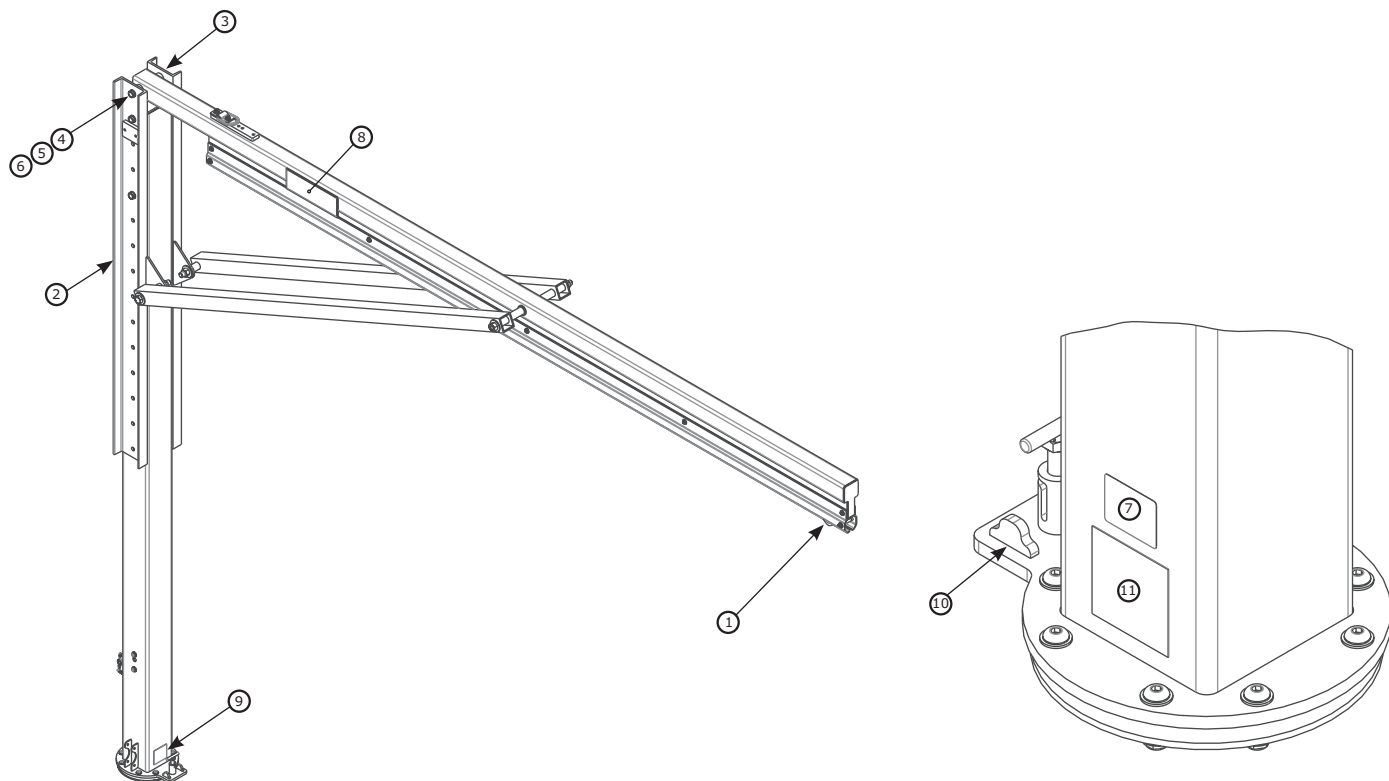
Modulär svängarm semifast komponenter

TEKNISKT DATABLAD: 8530899-8530901

3M

DBI
SALA

Fall Protection



	Komponentnummer	Beskrivning	Material	Antal
①	8521711	Vagn	Rostfritt stål, stål, nylon	1
②	8549933	Monteringskanal för räddning	Stål	1
③	8550248	Kanal	Stål	1
④	8526654	3/4" x 9" bult	Stål	2
⑤	8522275	3/4" bricka	Stål	4
⑥	8518276	3/4" mutter	Stål	2
⑦	9514429	ID-etikett	Polyester	1

	Komponentnummer	Beskrivning	Material	Antal
⑧	9515111	3M-etikett	Polyester	2
⑨	9515101	Rotationsetikett	Polyester	1
⑩	8550125	Rotationsstopp	Stål	2
⑪	9515112	Användareti-kett	Polyester	1

Modulär svängarm justerbar

TEKNISKT DATABLAD: 8530895–8530898



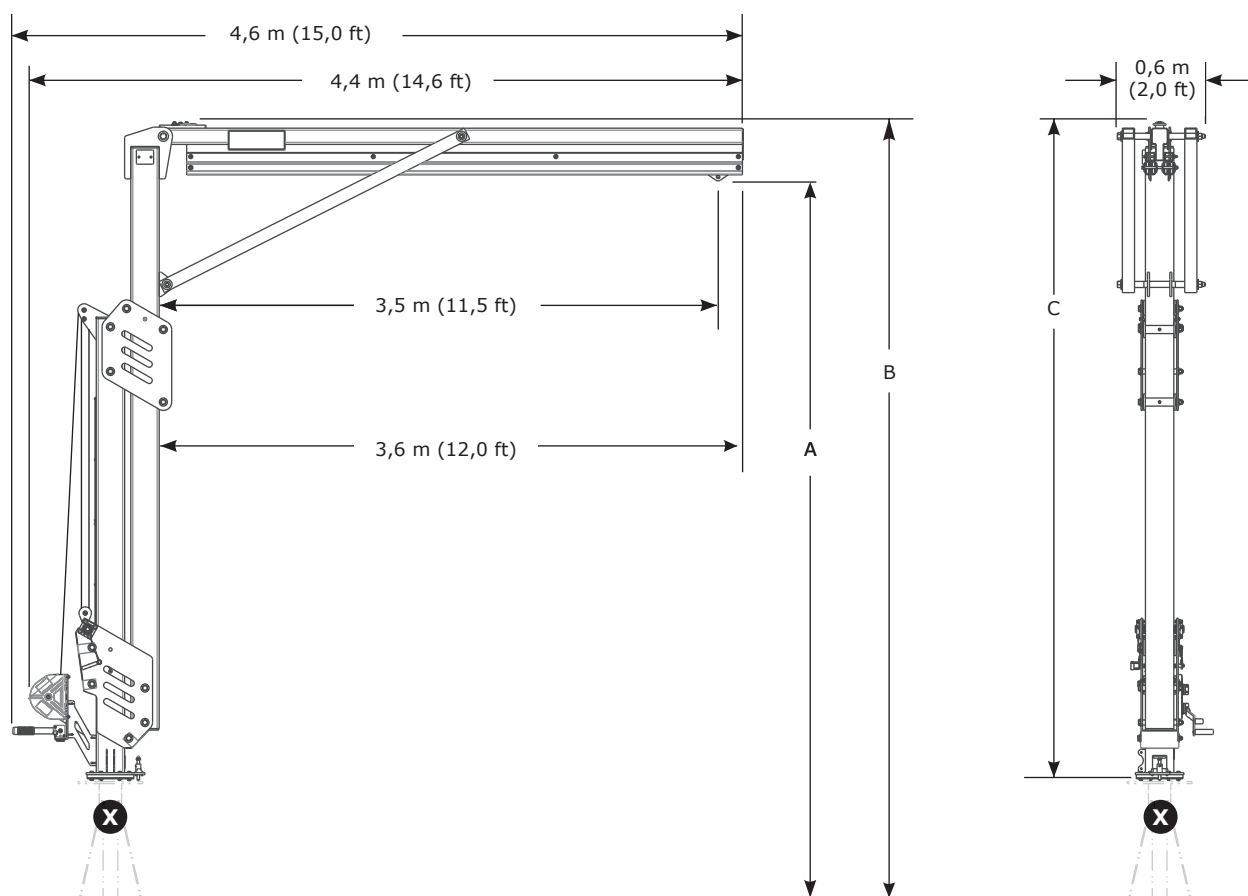
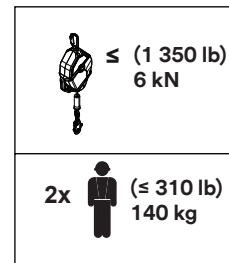
Fall Protection

TILLÄMPNING:

M200 Modulär svängarm är utformad för att tillhandahålla förankringsanslutningspunkter för ett fallskyddssystem.

Mer information om produktinstallation finns i 3M bruksanvisning för M200 Svängarm (5908372).

Standarder: CEN/TS 16415:2013 Typ E, EN795:2012 Typ E, OSHA 1910.140, OSHA 1926.502



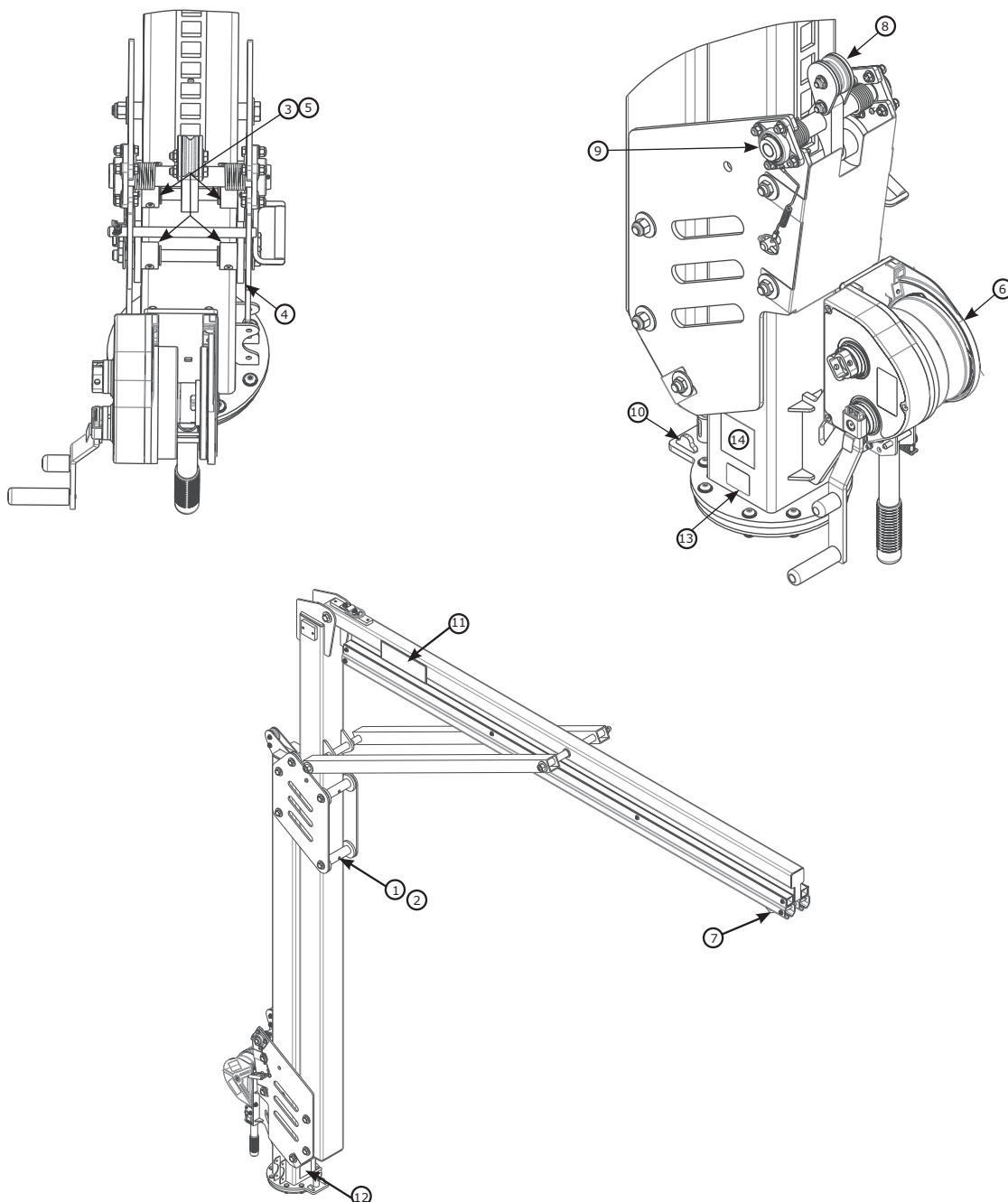
	A	B	C	kg (lb)
8530895	3,8 m–4,6 m (12,3 ft –15,0 ft)	4,1 m–4,9 m (13,4 ft –16,1 ft)	3,4 m–4,2 m (11,0 ft –13,7 ft)	459 kg (1 011 lb)
8530896	4,5 m–6,1 m (14,8 ft –20,0 ft)	4,8 m–6,4 m (15,9 ft –21,1 ft)	4,1 m–5,7 m (13,5 ft –18,7 ft)	509 kg (1 123 lb)
8530897	5,3 m–7,6 m (17,3 ft –25,0 ft)	5,6 m–8,0 m (18,4 ft –26,1 ft)	4,9 m–7,2 m (16,0–23,7 ft)	560 kg (1 235 lb)
8530898	6,0 m–9,1 m (19,8 ft –30,0 ft)	6,4 m–9,5 m (20,9 ft –31,1 ft)	5,6 m–8,7 m (18,5 ft –28,7 ft)	609 kg (1 343 lb)

Modulär svängarm justerbar komponenter

TEKNISKT DATABLAD: 8530895-8530898



Fall Protection



Komponentlista				
	Komponent-nummer	Beskrivning	Material	Antal
①	8550046	Bred rulle	Nylon	4
②	8550047	Bred rulle Distans	304 rostfritt stål	4
③	8550327	Smal rulle	Nylon	4
④	9514703	Sidorulle	Nylon	12
⑤	8550213	Smal rulle distans	304 rostfritt stål	4
⑥	8549930	Vinsch	Stål	1
⑦	8521711	Vagn	Stål, nylon	1

Komponentlista				
	Komponent-nummer	Beskrivning	Material	Antal
⑧	8550223	Låsmekanism (endast godkänd reparation)	Stål, nylon	1
⑨	9515138	Lager	Stål	2
⑩	8550125	Rotationsstopp	Stål	2
⑪	9515111	3M-etikett	Polyester	2
⑫	9515101	Rotationsetikett	Polyester	1
⑬	9514429	ID-etikett	Polyester	1
⑭	9515112	Användaretikett	Polyester	1

Modulär svängarm semifast

TEKNISKT DATABLAD: 8530902–8530904



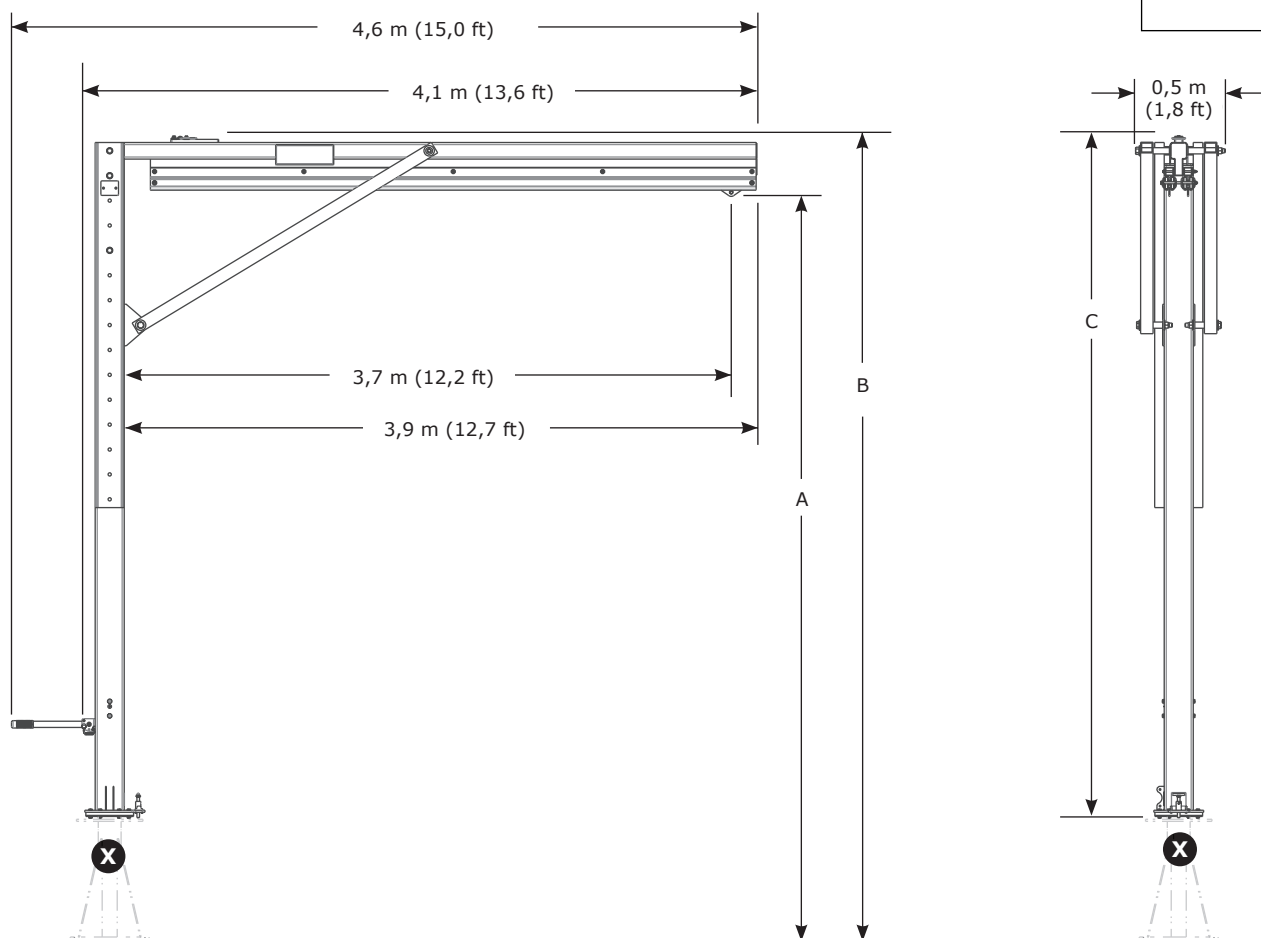
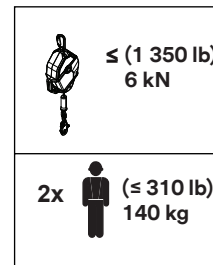
Fall Protection

TILLÄMPNING:

M200 Modulär svängarm är utformad för att tillhandahålla förankringsanslutningspunkter för ett fallskyddssystem.

Mer information om produktinstallation finns i 3M bruksanvisning för M200 Svängarm (5908372).

Standarder: CEN/TS 16415:2013 Typ E, EN795:2012 Typ E, OSHA 1910.140, OSHA 1926.502.



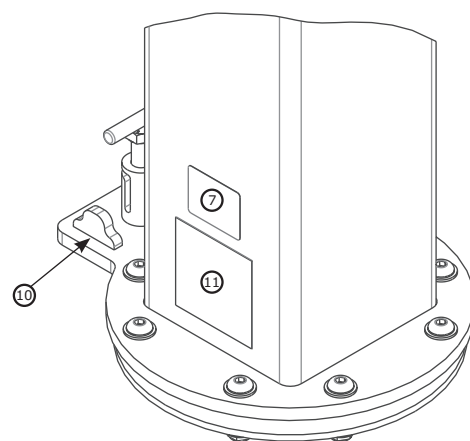
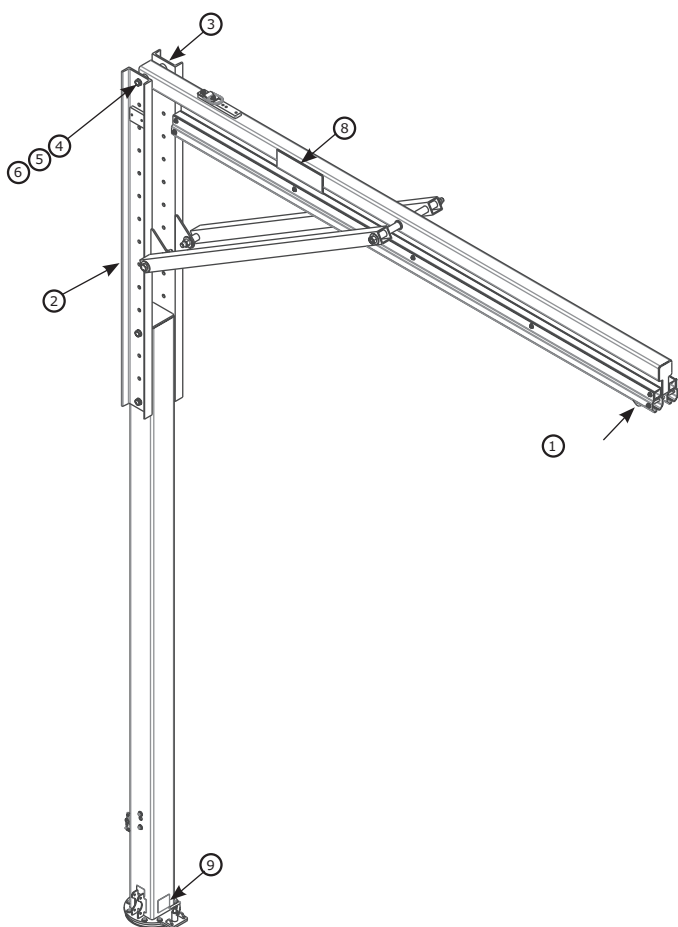
	A	B	C	kg (lb)
8530902	4,6 m–6,1 m (15,0 ft –20,0 ft)	4,9 m–6,4 m (16,1 ft –21,1 ft)	4,2 m–5,7 m (13,7 ft –18,7 ft)	386 kg (850 lb)
8530903	6,1 m–7,6 m (20,0 ft –25,0 ft)	6,4 m–7,9 m (21,1 ft –26,1 ft)	5,7 m–7,2 m (18,7 ft –23,7 ft)	436 kg (961 lb)
8530904	7,6 m–9,1 m (25,0 ft –30,0 ft)	7,9 m–9,6 m (26,1 ft –31,1 ft)	7,2 m–8,7 m (23,7 ft –28,7 ft)	487 kg (1 073 lb)

Modulär svängarm semifast komponenter

TEKNISKT DATABLAD: 8530902-8530904



Fall Protection



	Komponentnummer	Beskrivning	Material	Antal
①	8521711	Vagn	Rostfritt stål, stål, nylon	1
②	8549933	Monteringskanal för räddning	Stål	1
③	8550248	Kanal	Stål	1
④	8526654	3/4" x 9" bult	Stål	2
⑤	8522275	3/4" bricka	Stål	4
⑥	8518276	3/4" mutter	Stål	2
⑦	9514429	ID-etikett	Polyester	1

	Komponentnummer	Beskrivning	Material	Antal
⑧	9515111	3M-etikett	Polyester	2
⑨	9515101	Rotationsetikett	Polyester	1
⑩	8550125	Rotationsstopp	Stål	2
⑪	9515112	Användaretikett	Polyester	1

M200 Motviktsbas

TEKNISKT DATABLAD: 8530886, 8530887



TILLÄMPNING:

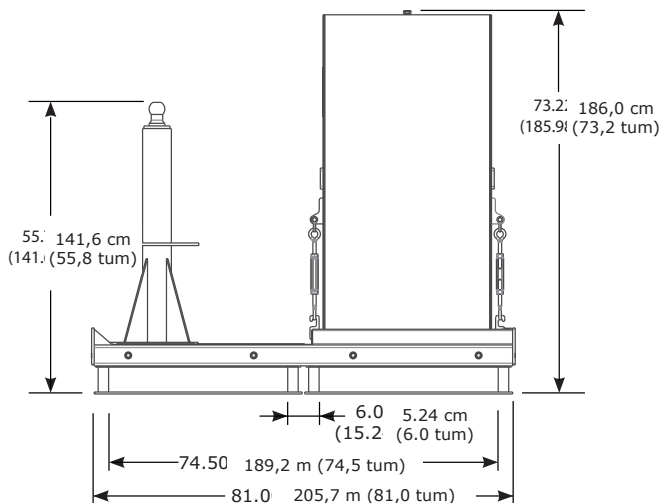
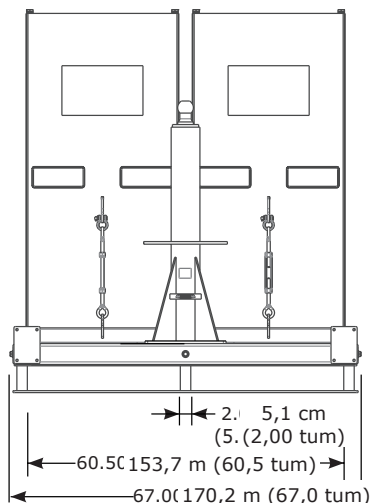
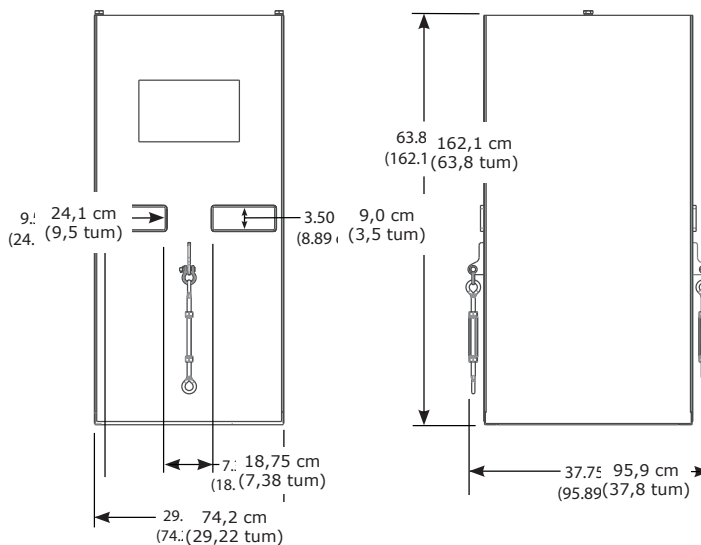
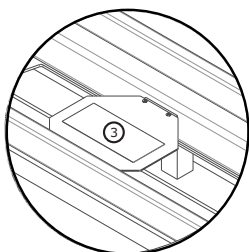
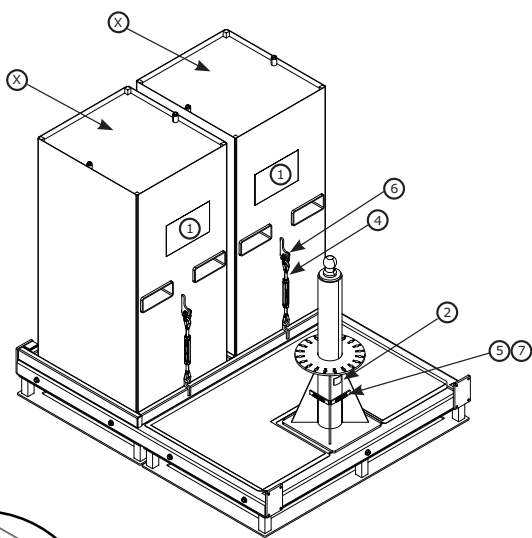
Motviktsbasen är utformad för att fyllas med betong och används som monteringspunkt för 3M™ DBI-SALA® Flexiguard™ Modulärt svängarmssystem M200.

Mer information om produktinstallation finns i 3M bruksanvisning för M200 Betongbas (5908374).

Standarder: CEN/TS 16415:2013 Typ E, EN795:2012 Typ E, OSHA 1910.140, OSHA 1926.502

	X 30 MPa (4 000 psi)	Krav på bärstruktur	Nettovikt
8530886		6 643 kg (14 645 lb)	1 092 kg (2 407 lb)
8530887	✓	+ Vikt av M200 svängbom	5 137 kg (11 325 lb)

Komponentlista				
	Komponentnummer	Beskrivning	Material	Antal
①	9515107	Användareetikett	Polyester	1
②	9514429	ID-etikett	Polyester	1
③	9515106	Varningsetikett	Polyester	1
④	8520575	Vajersträckare	Stål	2
⑤	9513627	#4 skruv	Stål	4
⑥	9501794	Schackel	Stål	2
⑦	9515058	Nivåbubbla	Plast	2



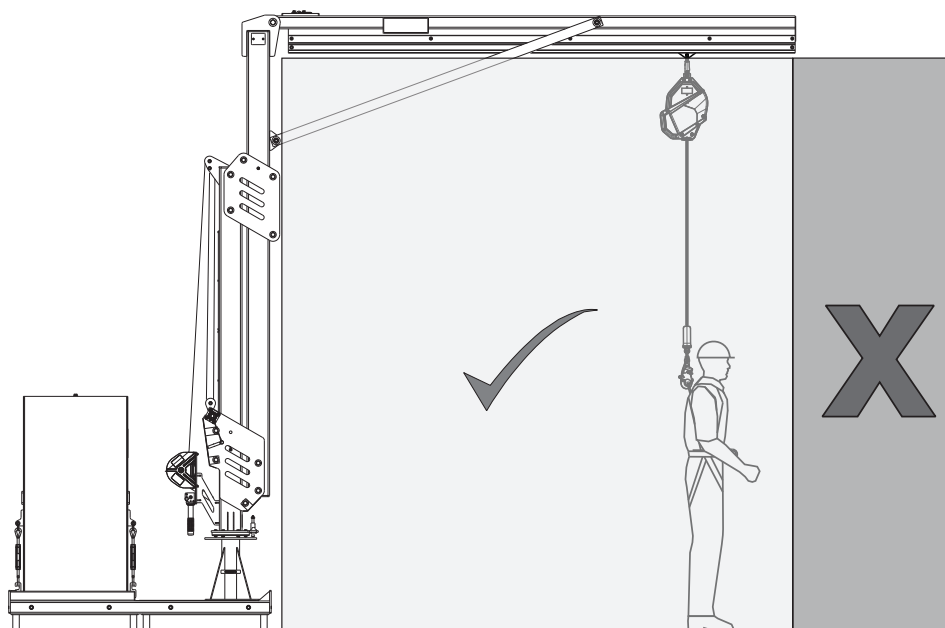
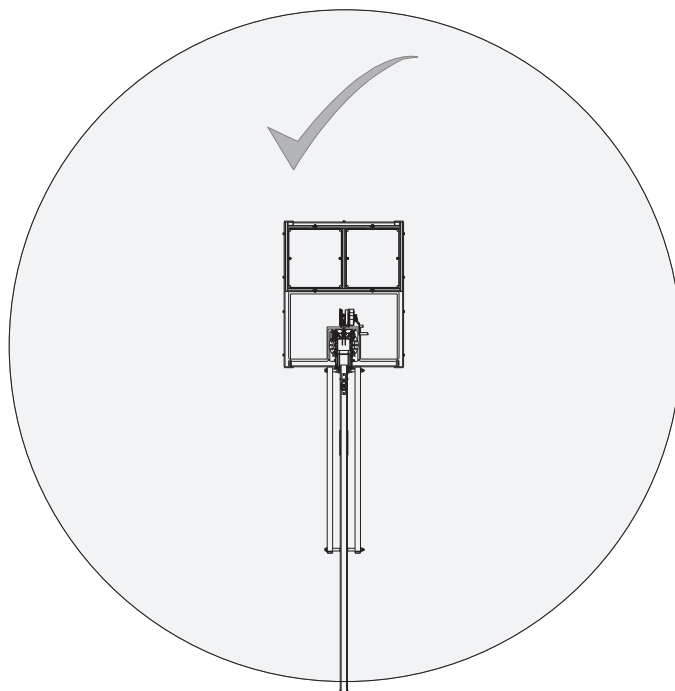
M200 Motviktsbas arbetsområde
TEKNISKT DATABLAD: 8530886, 8530887



Fall Protection

TILLÄMPNING:

Se diagrammet nedan för arbetsområdet för M200 Betongbas.



M200 Motviktsbas tillbehör

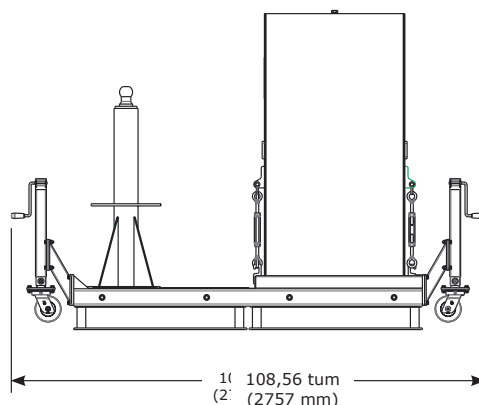
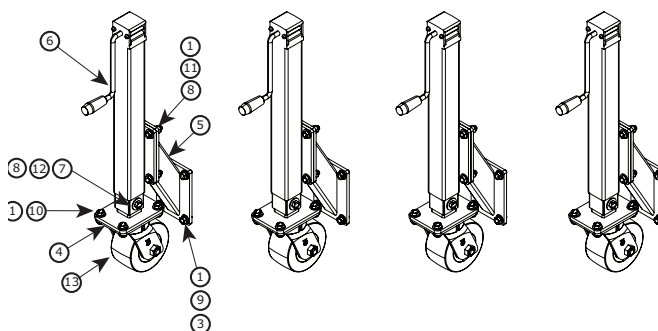
TEKNISKT DATABLAD: 8530908, 8530907, 8530777



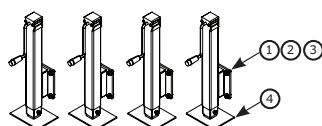
Fall Protection

Vikt	
8530908	69 kg (152 lb)

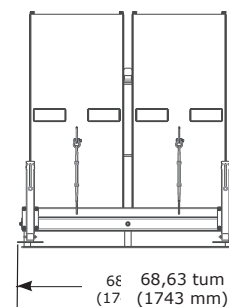
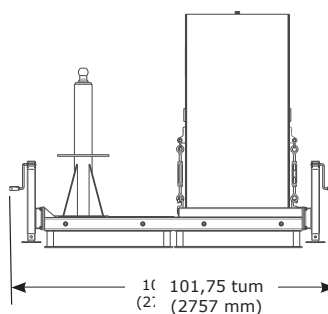
Komponentlista				
	Komponent-nummer	Beskrivning	Material	Antal
①	8510037	1/2" bricka	Stål	80
②	8512460	1/2" x 1 1/4" bult	Stål	16
③	8518432	1/2" x 1" bult	Stål	16
④	8550153	Hjulsvetsning	Stål	4
⑤	8550155	Vinklad svetsning	Stål	4
⑥	8550156	Monterad svetsning	Stål	4
⑦	9501243	1/2" bricka	Stål	8
⑧	9501831	1/2" sexkantsmutter	Stål	20
⑨	9504221	1/2" bricka	Stål	16
⑩	9504813	1/2" sexkantsmutter	Stål	16
⑪	9509276	1/2" x 1 3/4" bult	Stål	16
⑫	9510153	1/2" x 3 1/4" bult	Stål	4
⑬	9515081	Svängbart hjul	Stål, uretan	4



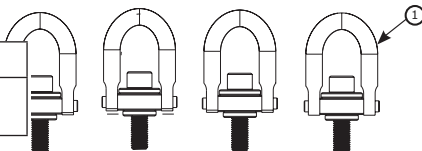
Vikt	
8530907	49 kg (108 lb)



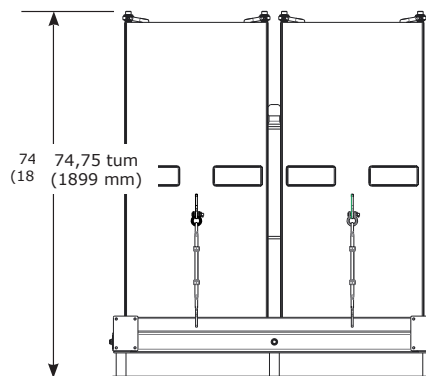
	Komponent-nummer	Beskrivning	Material	Antal
①	9504221	1/2" låsbricka	Stål	16
②	8510037	1/2" bricka	Stål	16
③	8518432	1/2" x 1" bult	Stål	16
④	8550177	Hjulsvetsning	Stål	4



Vikt	
8530777	5,4 kg (12 lb)



Komponentlista				
	Komponentnummer	Beskrivning	Material	Antal
①	9512574	Lyftring	Stål	4




M200 Motviktsbas Tyngdpunkt

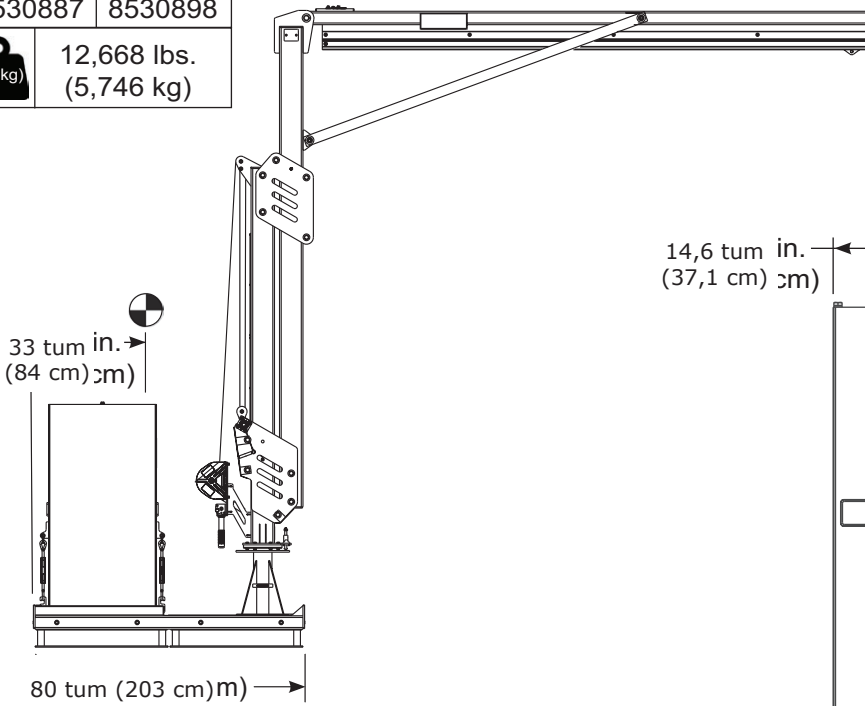
TEKNISKT DATABLAD: 8530886, 8530887




Fall Protection

8530887	8530898
---------	---------

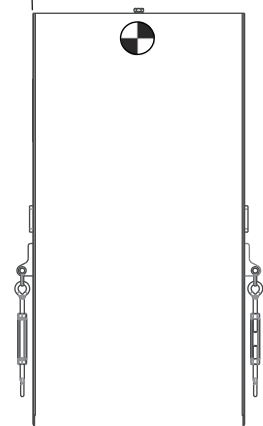
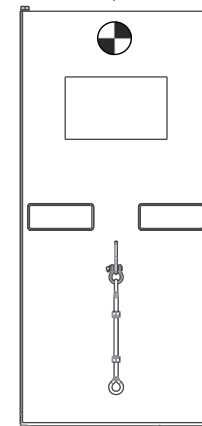
 lb (kg)	12,668 lbs. (5,746 kg)
---	---------------------------




 lb (kg)	5,000 lbs. (2,268 kg)
---	--------------------------

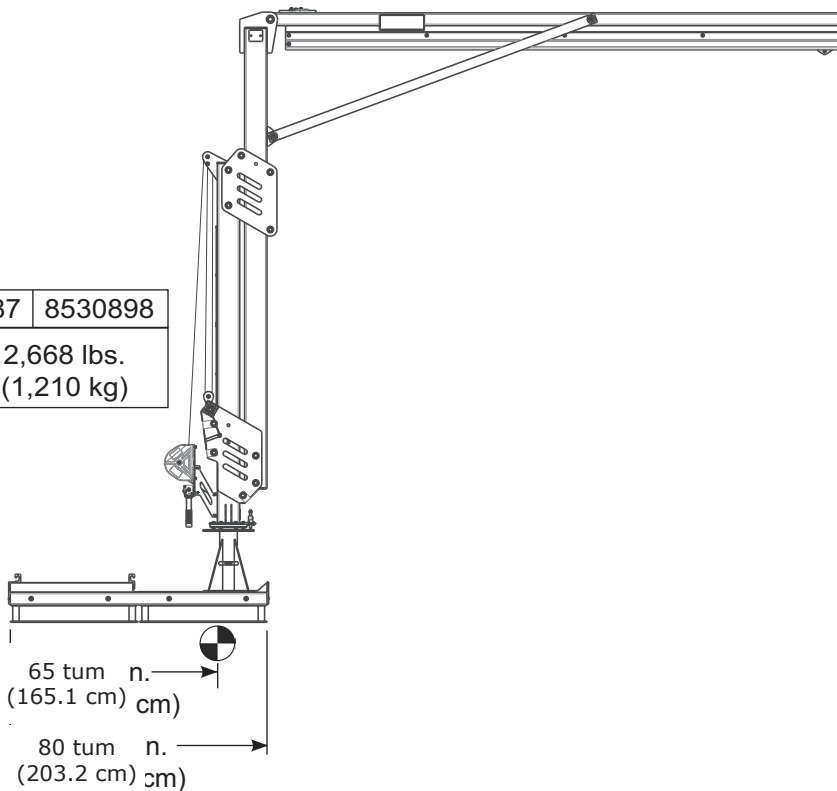
14,6 tum in. (37,1 cm) m

16,63 tum in. (42,2 cm) m




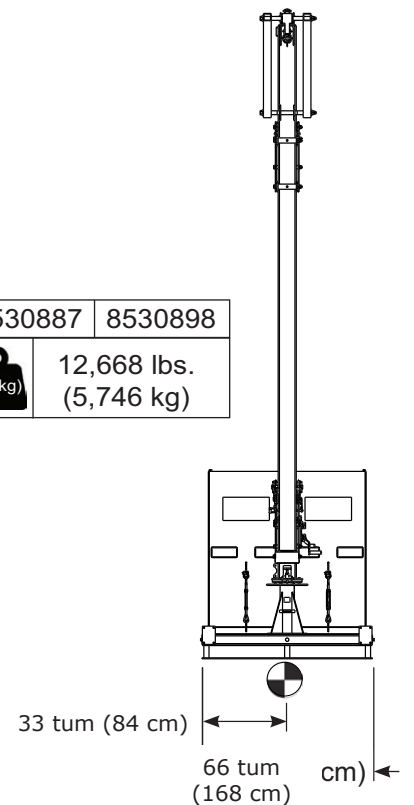
8530887	8530898
---------	---------

 lb (kg)	2,668 lbs. (1,210 kg)
---	--------------------------



8530887	8530898
---------	---------

 lb (kg)	12,668 lbs. (5,746 kg)
---	---------------------------



M200 Golvmonterad bas

TEKNISKT DATABLAD: 8530888



Fall Protection

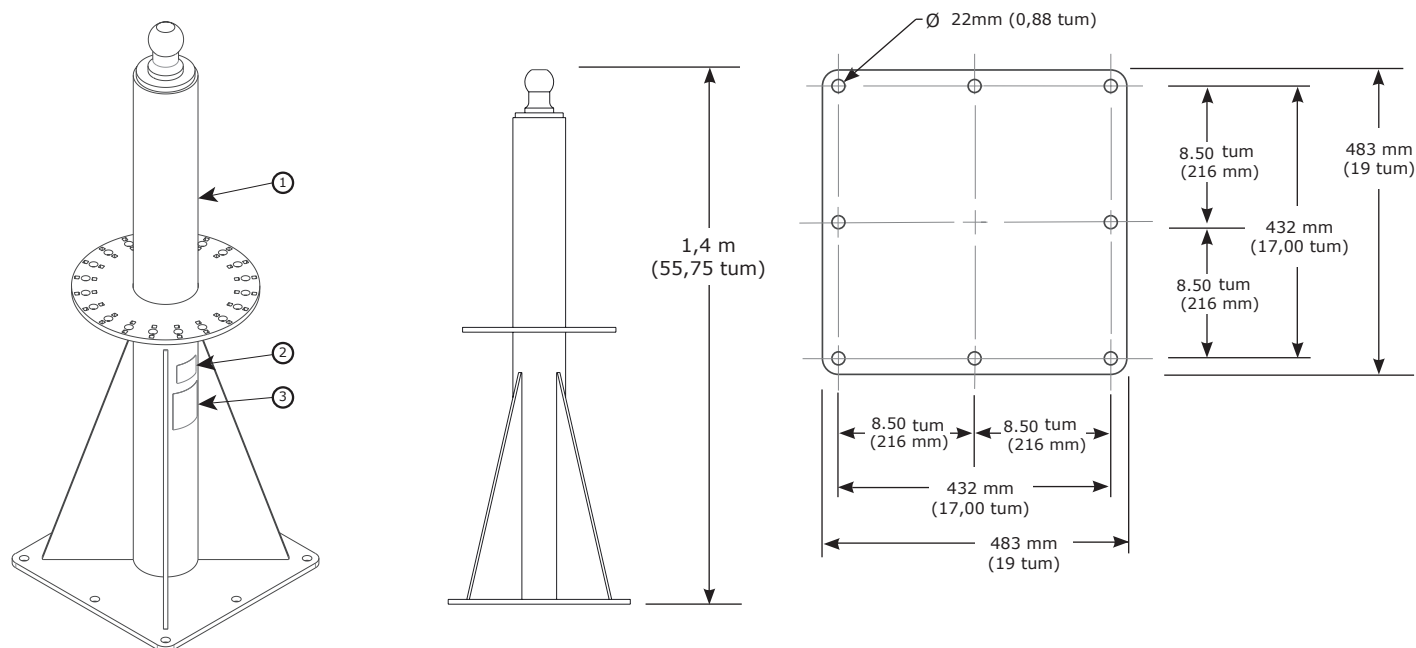
TILLÄMPNING:

Den golvmonterade basen är utformad för att förankras i godkända konstruktioner och används som monteringspunkt för det 3M-godkända modulära svängarmssystemet M200.

Mer information om produktinstallation finns i 3M bruksanvisning för M200 Golvmonterad bas (5908375).

Standarder: CEN/TS 16415:2013 Typ A, EN795:2012 Typ A, OSHA 1910.140, OSHA 1926.502

	Nettovikt
8530888	120 kg (265 lb)



Komponentlista				
	Komponentnummer	Beskrivning	Material	Antal
①	8549921	Bassvetsning	Stål	1
②	9514429	ID-etikett	Polyester	1
③	9515114	Användaretikett	Polyester	1

Monteringskrav		
Fästelementets minsta dragkraft	Monteringsstrukturens minsta momentbelastning	Monteringsstrukturens minsta vertikala belastning
4 257 kg (9 386 lb)	56 677 Nm (501 633 in-lb)	1 506 kg (3 320 lb) + basvikt + vikt av M200 svängbom

M200 Infälld monteringsbas

TEKNISKT DATABLAD: 8530889, 8530920, 8530921

3M

DBI
SALA®

Fall Protection

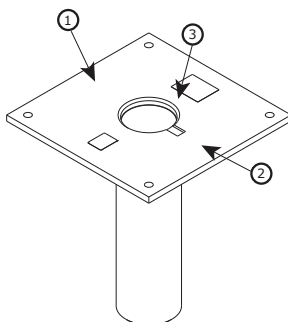
TILLÄMPNING:

Den infällda monteringsbasen är utformad för att förankras i godkända konstruktioner och används som monteringspunkt för det 3M-godkända modulära svängarmssystemet M200.

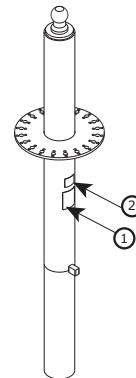
Mer information om produktinstallation finns i 3M bruksanvisning för M200 Infälld monteringsbas (5908375).

Standarder: CEN/TS 16415:2013, EN795:2012 Typ A, OSHA 1910.140, OSHA 1926.502

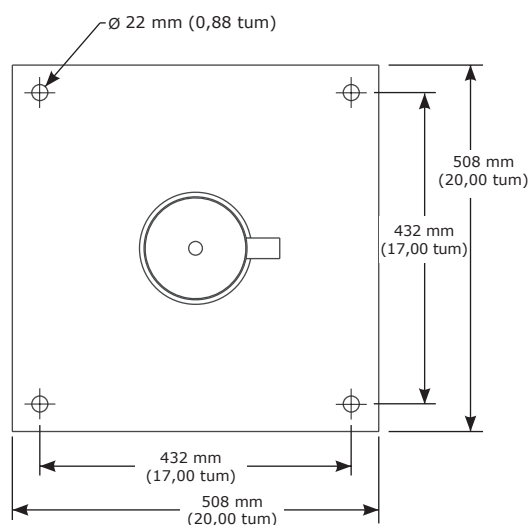
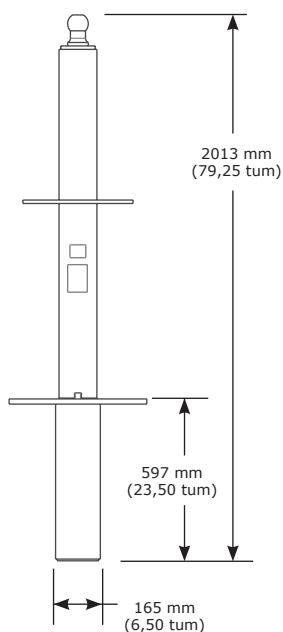
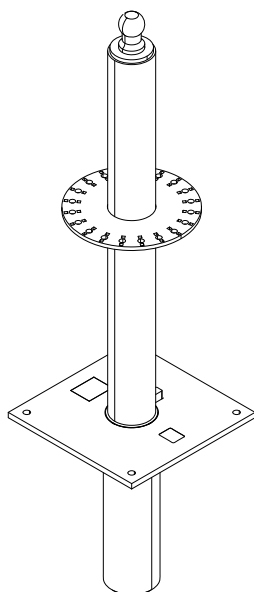
	Nettovikt
8530920	64 kg 140 lb



	Nettovikt
8530921	107 kg 237 lb



	Nettovikt
8530889	171 kg (377 lb)



Komponentlista				
	Komponent-nummer	Beskrivning	Material	Antal
①	9515114	Användaretikett	Polyester	1
②	9514429	ID-etikett	Polyester	1
③	8550165	Baslock	Aluminiumgummi	1

Monteringskrav	
Monteringsstrukturens minsta momentbelastning	Monteringsstrukturens minsta vertikala belastning
56 677 Nm (501 633 in-lb)	1 506 kg (3 320 lb) + basvikt + vikt av M200 svängbom

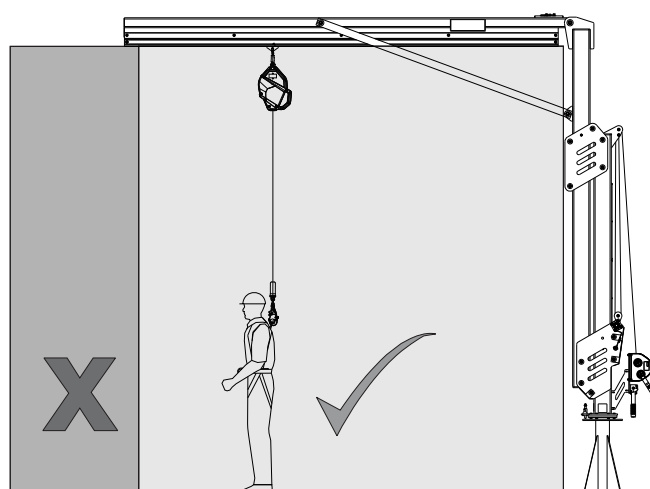
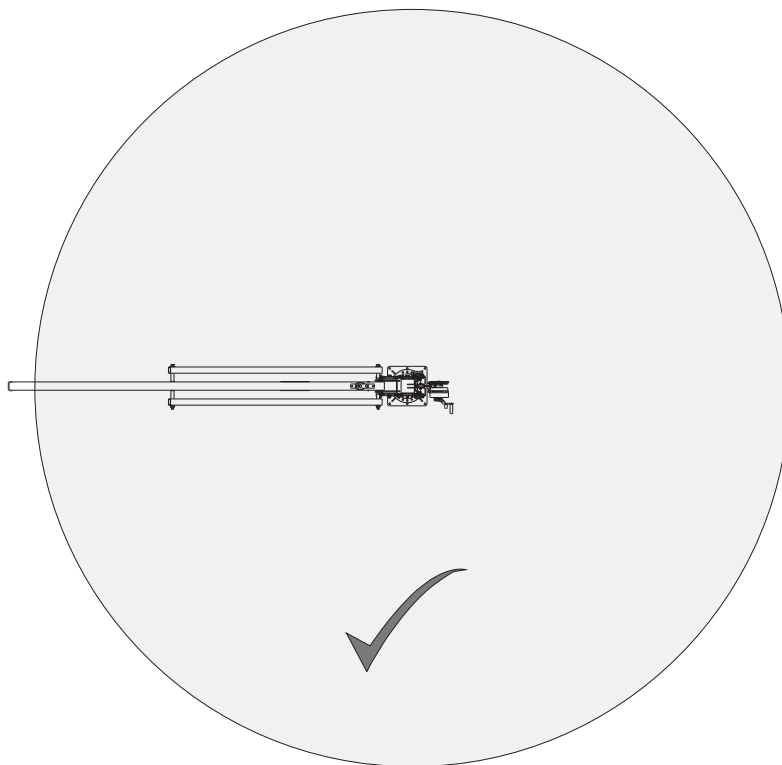
M200 Golvmonterade baser Arbetsområde
TEKNISKT DATABLAD: 8530888, 8530889



Fall Protection

TILLÄMPNING:

Se diagrammet nedan för de golvmonterade basernas arbetsområde.



M200 Golvficksats

TEKNISKT DATABLAD: 8530912

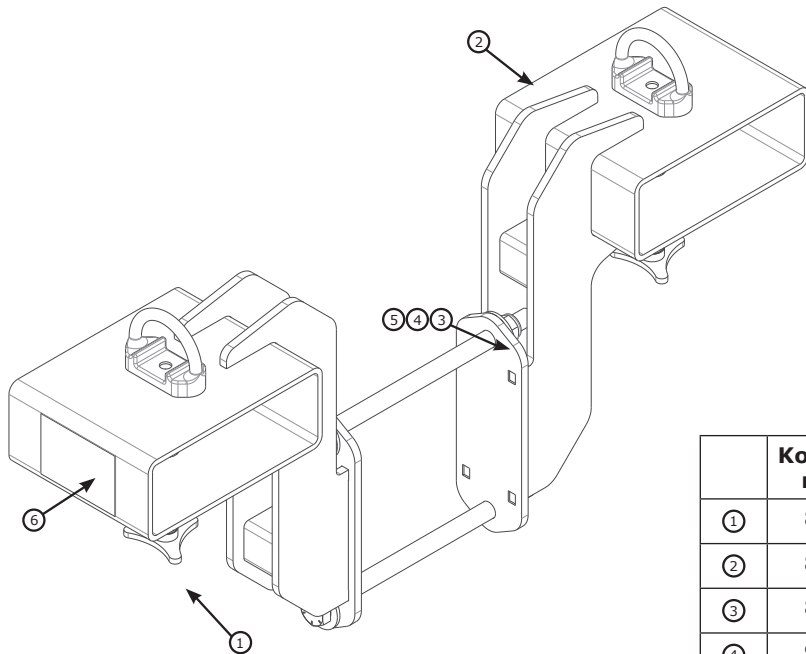


Fall Protection

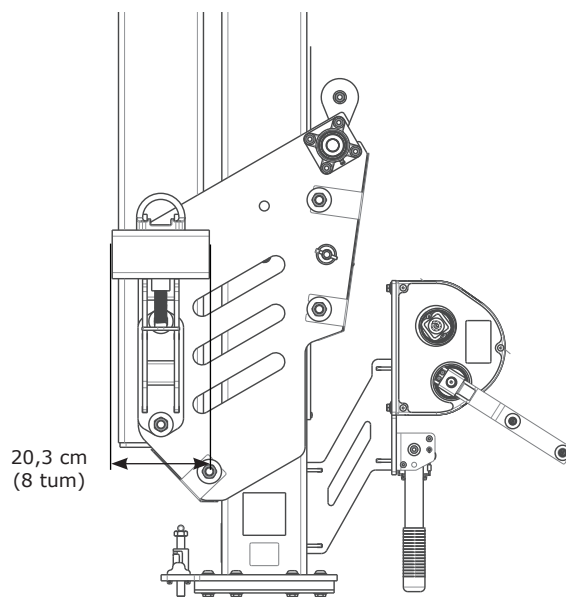
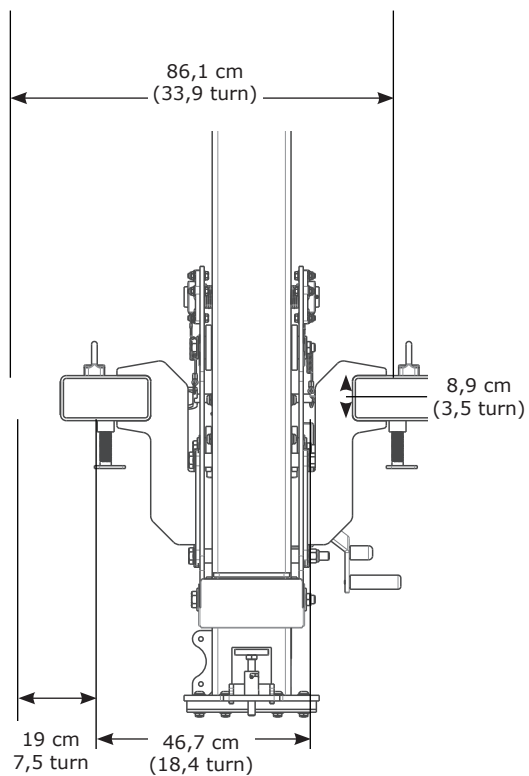
TILLÄMPNING:

M200 Golvficksats är utformad för att transportera den justerbara svängbommen.

Se de listade bladen för komponentspecifikationer.



	Komponent-nummer	Beskrivning	Antal
①	8550127	Trekantskruv	2
②	8549905	Gaffelfickssvetsning	2
③	8518276	3/4" sexkantsmutter	2
④	9512004	3/4" x 12" bult	2
⑤	M970033018	3/4" bricka	4
⑥	9515122	Användaretikett	1
	9500146	Kedjelänk	2
	8517096	Kedja	10 ft





Fall Protection

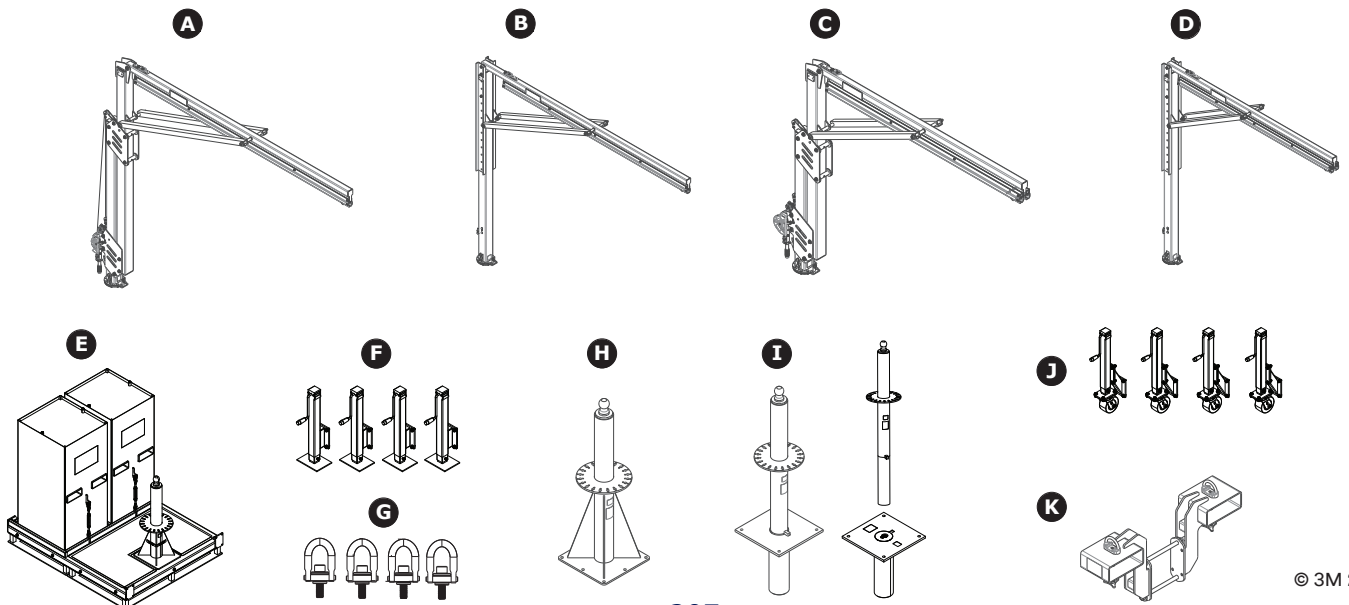


OSHA

3M™ DBI-SALA® Flexiguard™
模块化悬臂系统
M200

技术数据表包
5908526 版本 C

字母	技术数据表	产品描述	页
A	8530891	12.3 英尺 - 15 英尺 (3.8 米 - 4.6 米) 模块化可调悬臂	208
	8530892	14.8 英尺 - 20 英尺 (4.5 米 - 6.1 米) 模块化可调悬臂	208
	8530893	17.3 英尺 - 25 英尺 (5.3 米 - 7.6 米) 模块化可调悬臂	208
	8530894	19.8 英尺 - 30 英尺 (6.1 米 - 9.1 米) 模块化可调悬臂	208
B	8530899	15 英尺 - 20 英尺 (4.6 米 - 6.1 米) 模块化半固定悬臂	210
	8530900	20 英尺 - 25 英尺 (6.1 米 - 7.6 米) 模块化半固定悬臂	210
	8530901	25 英尺 - 30 英尺 (7.6 米 - 9.1 米) 模块化半固定悬臂	210
C	8530895	12.3 英尺 - 15 英尺 (3.8 米 - 4.6 米) 模块化可调悬臂	212
	8530896	14.8 英尺 - 20 英尺 (4.5 米 - 6.1 米) 模块化可调悬臂	212
	8530897	17.3 英尺 - 25 英尺 (5.3 米 - 7.6 米) 模块化可调悬臂	212
	8530898	19.8 英尺 - 30 英尺 (6.1 米 - 9.1 米) 模块化可调悬臂	212
D	8530902	15 英尺 - 20 英尺 (4.6 米 - 6.1 米) 模块化半固定悬臂	214
	8530903	20 英尺 - 25 英尺 (6.1 米 - 7.6 米) 模块化半固定悬臂	214
	8530904	25 英尺 - 30 英尺 (7.6 米 - 9.1 米) 模块化半固定悬臂	214
E	8530886	配重基座	216
	8530887	配重基座	216
F	8530907	千斤顶 (配重基座)	218
G	8530777	吊环 (配重基座)	218
H	8530888	地面安装基座	220
I	8530889, 8530920, 8530921	嵌入式基座	221
J	8530908	车轮 (配重基座)	218
K	8530912	叉车槽套件	223



模块化可调悬臂

技术数据表: 8530891-8530894



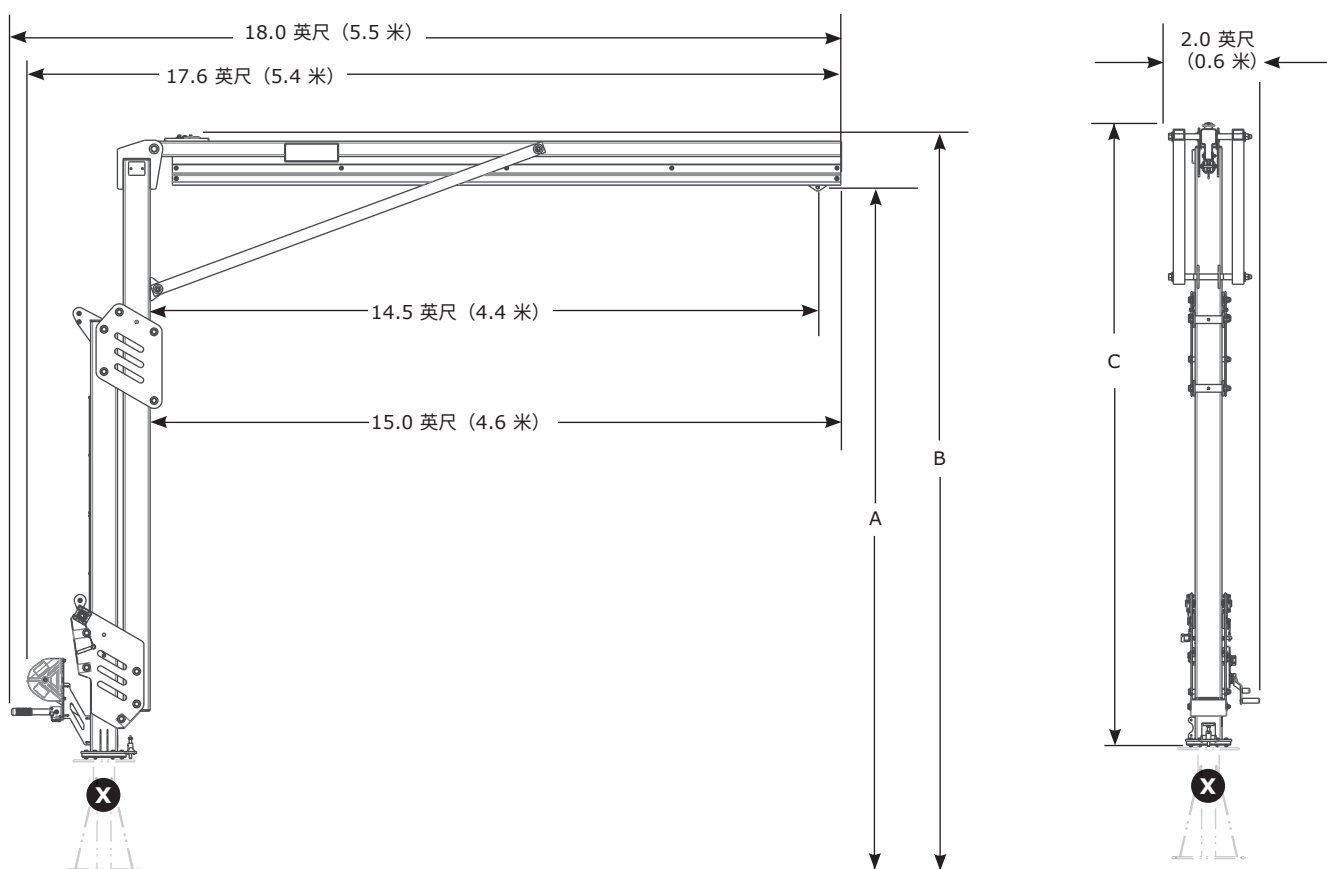
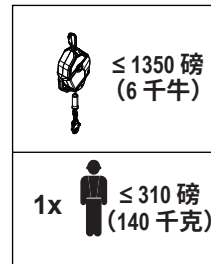
Fall Protection

应用:

M200 模块化悬臂可为坠落保护系统提供挂点连接点。

有关产品安装的详细信息, 请参阅 3M M200 悬臂说明手册 (5908372)。

标准: EN795:2012 Type E、OSHA 1910.140 和 OSHA 1926.502



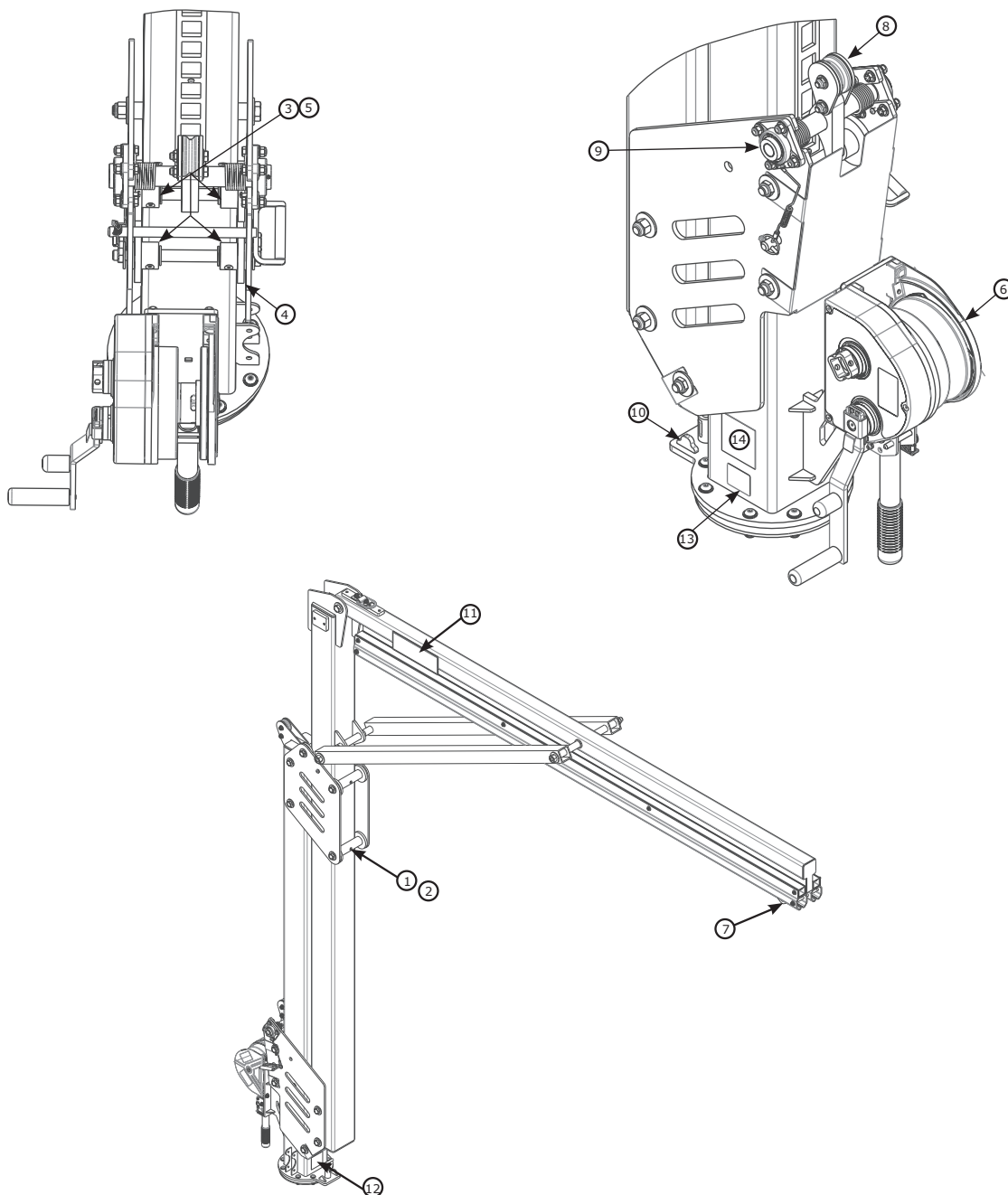
	A	B	C	磅 (千克)
8530891	12.3 英尺 - 15.0 英尺 (3.8 米 - 4.6 米)	13.4 英尺 - 16.1 英尺 (4.1 米 - 4.9 米)	9.8 英尺 - 14.8 英尺 (3.0 米 - 4.5 英尺)	945 磅 (429 千克)
8530892	14.8 英尺 - 20.0 英尺 (4.5 米 - 6.1 米)	15.9 英尺 - 21.1 英尺 (4.8 米 - 6.4 米)	13.5 英尺 - 18.7 英尺 (4.1 米 - 5.7 米)	1,057 磅 (479 千克)
8530893	17.3 英尺 - 25.0 英尺 (5.3 米 - 7.6 米)	18.4 英尺 - 26.1 英尺 (5.6 米 - 8.0 米)	16.0 - 23.7 英尺 (4.9 米 - 7.2 米)	1,169 磅 (530 千克)
8530894	19.8 英尺 - 30.0 英尺 (6.0 米 - 9.1 米)	20.9 英尺 - 31.1 英尺 (6.4 米 - 9.5 米)	18.5 英尺 - 28.7 英尺 (5.6 米 - 8.7 米)	1,281 磅 (581 千克)

模块化可调悬臂组件

技术数据表：8530891-8530894



Fall Protection



组件列表				
部件编号	产品描述	材质	数量	
①	8550046	宽滚轮	尼龙	4
②	8550047	宽滚轮垫片	304 不锈钢	4
③	8550327	窄滚轮	尼龙	4
④	9514703	侧滚轮	尼龙	12
⑤	8550213	窄滚轮垫片	304 不锈钢	4
⑥	8549930	绞盘	钢	1
⑦	8521711	滑梭	钢和尼龙	1

组件列表				
部件编号	产品描述	材质	数量	
⑧	8550223	锁定机构 (仅限授权维修)	钢和尼龙	1
⑨	9515138	轴承	钢	2
⑩	8550125	旋转挡块	钢	2
⑪	9515111	3M 标签	聚酯	2
⑫	9515101	旋转标签	聚酯	1
⑬	9514429	ID 标签	聚酯	1
⑭	9515112	用户标签	聚酯	1

模块化半固定悬臂

技术数据表: 8530899-8530901



Fall Protection

应用:

M200 模块化悬臂可为坠落保护系统提供挂点连接点。

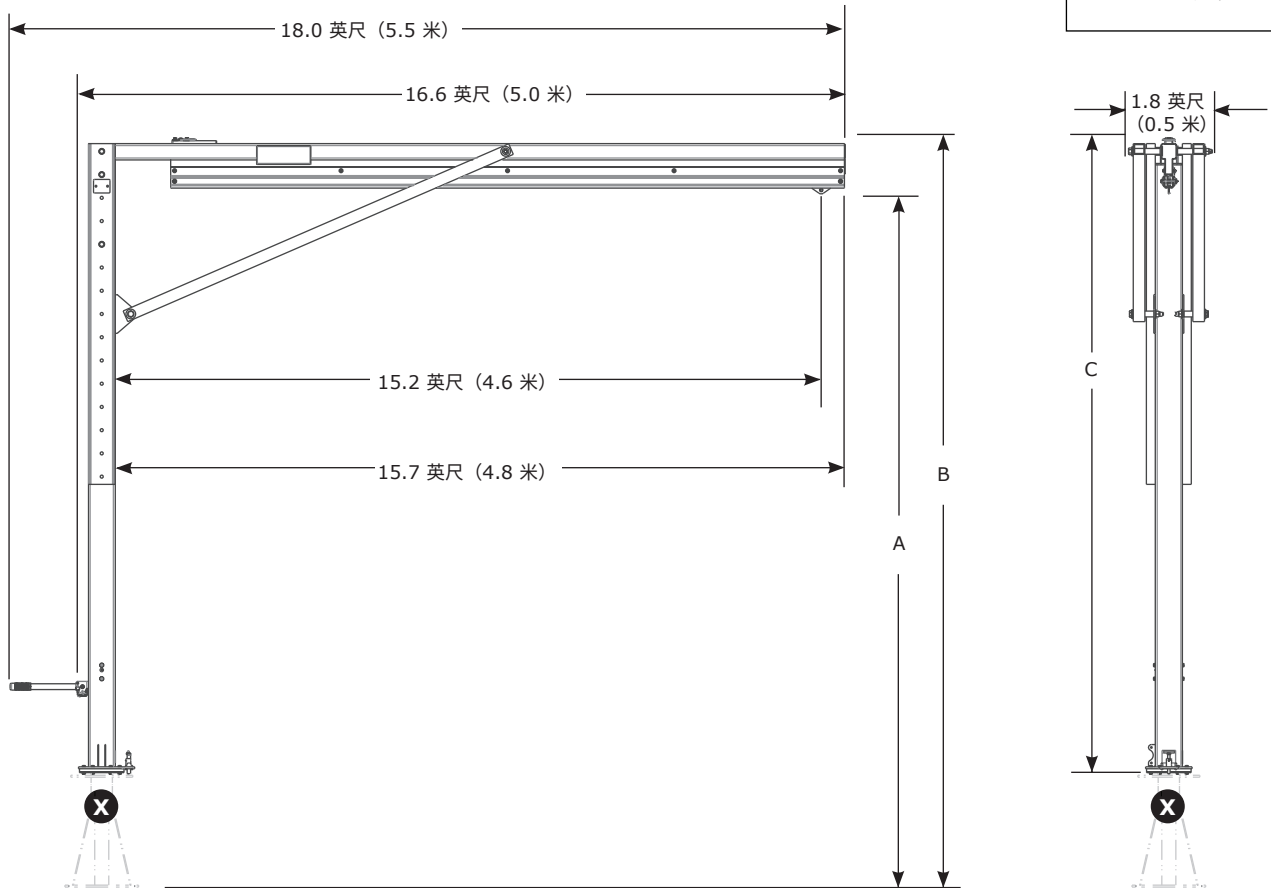
有关产品安装的详细信息, 请参阅 3M M200 悬臂说明手册 (5908372)。

标准: EN795:2012 Type E、OSHA 1910.140 和 OSHA 1926.502.

≤ 1350 磅
(6 千牛)

1x

≤ 310 磅
(140 千克)



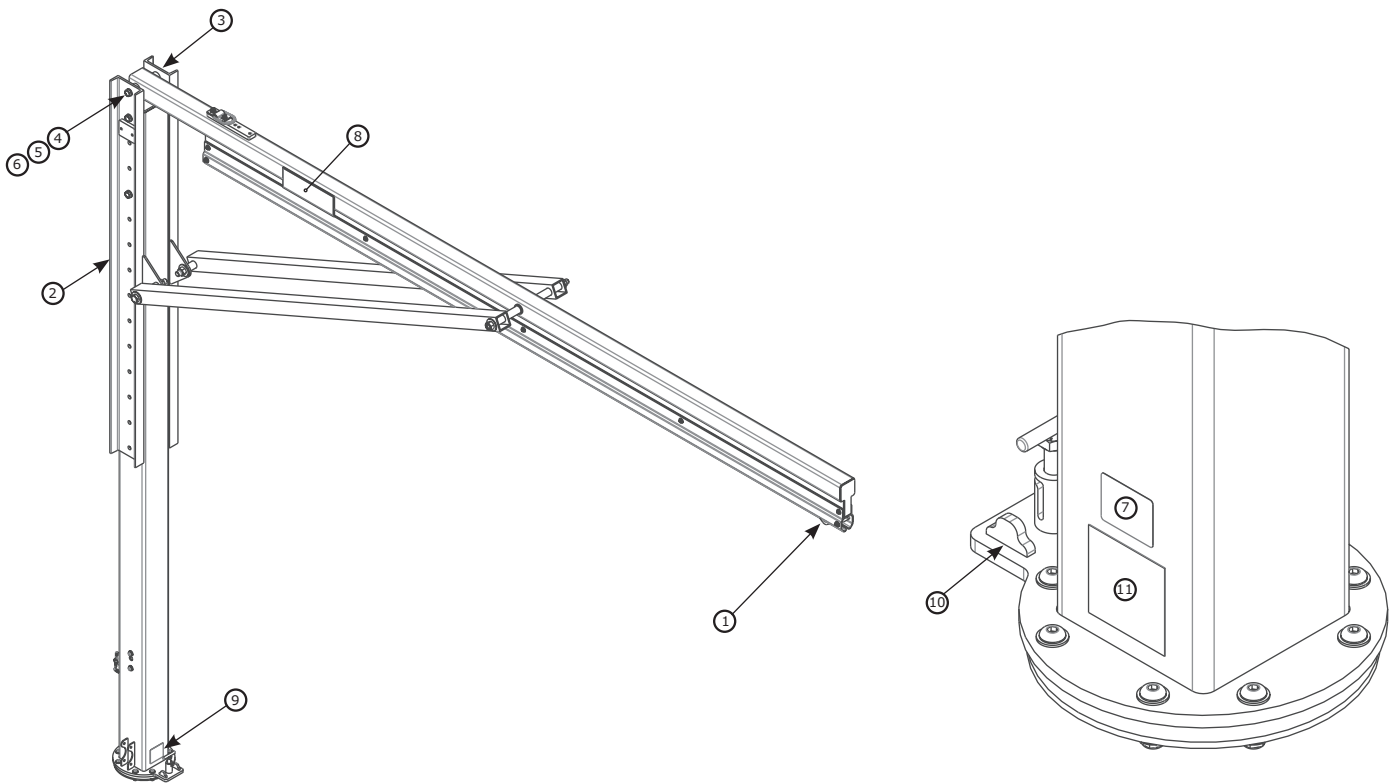
	A	B	C	磅 (千克)
8530899	15.0 英尺 - 20.0 英尺 (4.6 米 - 6.1 米)	16.1 英尺 - 21.1 英尺 (4.9 米 - 6.4 米)	13.7 英尺 - 18.7 英尺 (4.2 米 - 5.7 米)	818 磅 (371 千克)
8530900	20.0 英尺 - 25.0 英尺 (6.1 米 - 7.6 米)	21.1 英尺 - 26.1 英尺 (6.4 米 - 7.9 米)	18.7 英尺 - 23.7 英尺 (5.7 米 - 7.2 米)	930 磅 (422 千克)
8530901	25.0 英尺 - 30.0 英尺 (7.6 米 - 9.1 米)	26.1 英尺 - 31.1 英尺 (7.9 米 - 9.6 米)	23.7 英尺 - 28.7 英尺 (7.2 米 - 8.7 米)	1,041 磅 (472 千克)
+6" (152 毫米) 调整递增量				

模块化半固定悬臂组件

技术数据表: 8530899-8530901



Fall Protection



部件编号	产品描述	材质	数量
① 8521711	滑梭	不锈钢、钢和尼龙	1
② 8549933	救援固定板	钢	1
③ 8550248	固定板	钢	1
④ 8526654	3/4" x 9" 螺栓	钢	2
⑤ 8522275	3/4" 垫圈	钢	4
⑥ 8518276	3/4" 螺母	钢	2
⑦ 9514429	ID 标签	聚酯	1

部件编号	产品描述	材质	数量
⑧ 9515111	3M 标签	聚酯	2
⑨ 9515101	旋转标签	聚酯	1
⑩ 8550125	旋转挡块	钢	2
⑪ 9515112	用户标签	聚酯	1

模块化可调悬臂

技术数据表: 8530895-8530898



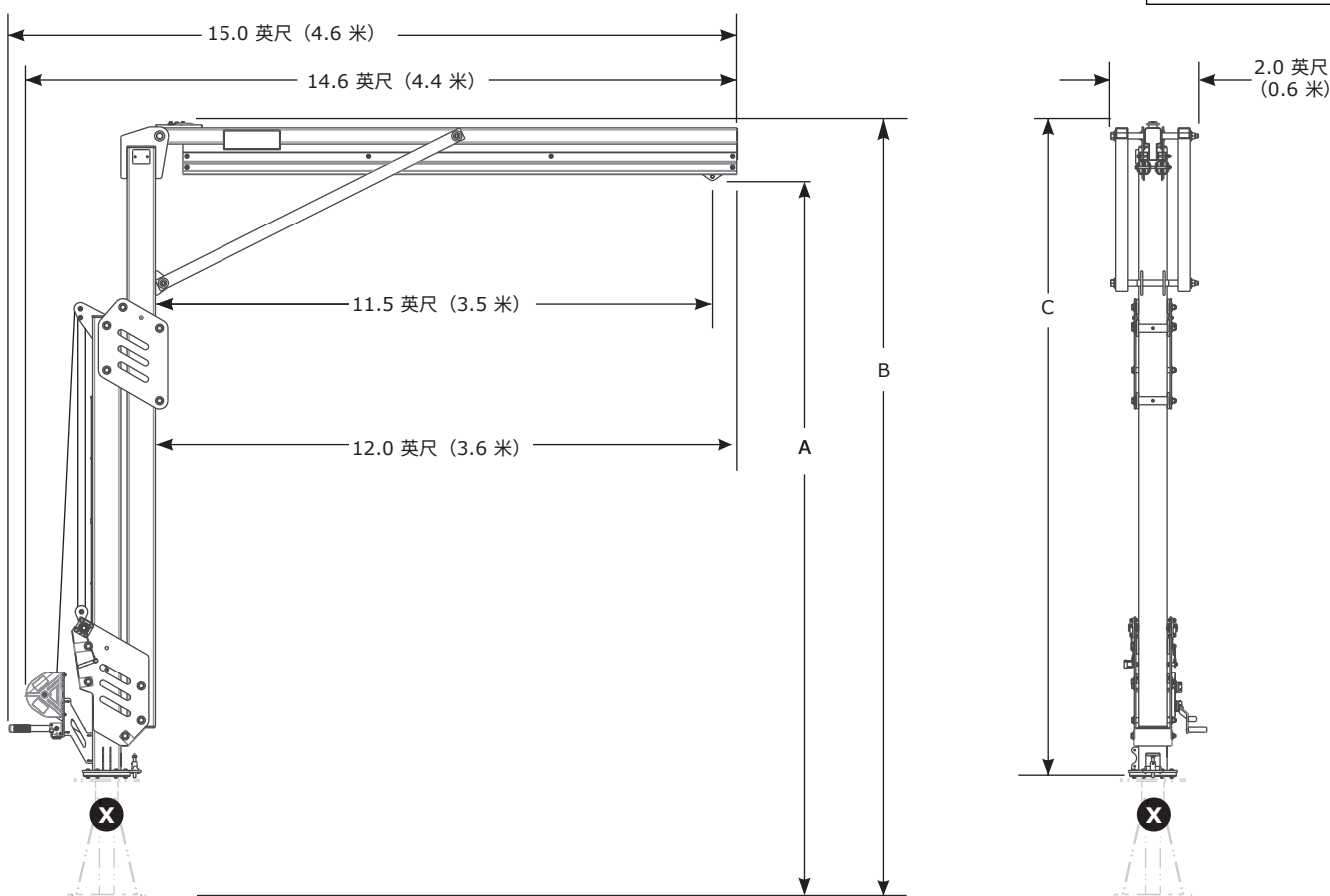
Fall Protection

应用:

M200 模块化悬臂可为坠落保护系统提供挂点连接点。

有关产品安装的详细信息, 请参阅 3M M200 悬臂说明手册 (5908372)。

标准: CEN/TS 16415:2013 Type E、EN795:2012 Type E、OSHA 1910.140 和 OSHA 1926.502



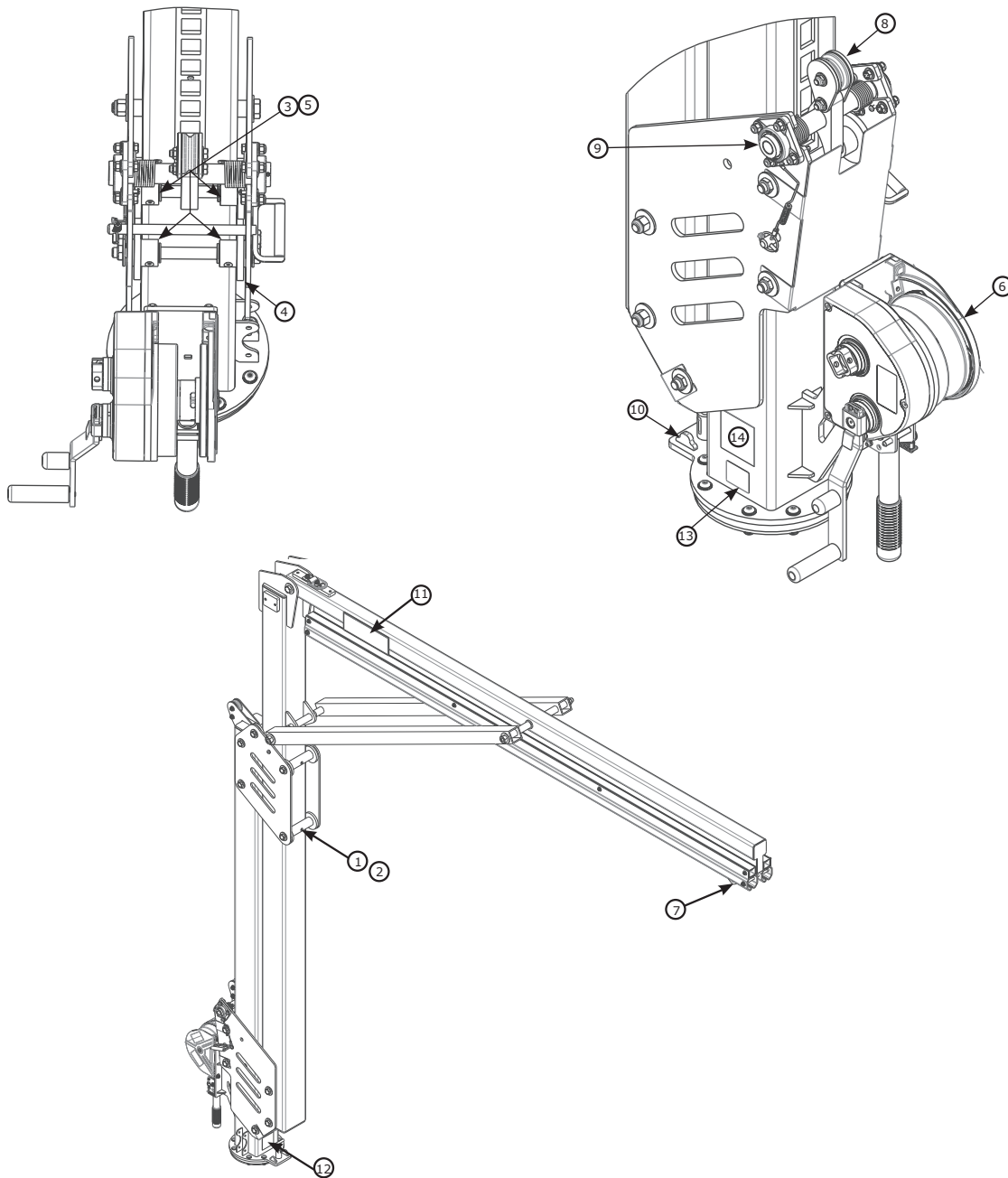
	A	B	C	磅 (千克)
8530895	12.3 英尺 - 15.0 英尺 (3.8 米 - 4.6 米)	13.4 英尺 - 16.1 英尺 (4.1 米 - 4.9 米)	11.0 英尺 - 13.7 英尺 (3.4 米 - 4.2 英尺)	1,011 磅 (459 千克)
8530896	14.8 英尺 - 20.0 英尺 (4.5 米 - 6.1 米)	15.9 英尺 - 21.1 英尺 (4.8 米 - 6.4 米)	13.5 英尺 - 18.7 英尺 (4.1 米 - 5.7 米)	1,123 磅 (509 千克)
8530897	17.3 英尺 - 25.0 英尺 (5.3 米 - 7.6 米)	18.4 英尺 - 26.1 英尺 (5.6 米 - 8.0 米)	16.0 - 23.7 英尺 (4.9 米 - 7.2 米)	1,235 磅 (560 千克)
8530898	19.8 英尺 - 30.0 英尺 (6.0 米 - 9.1 米)	20.9 英尺 - 31.1 英尺 (6.4 米 - 9.5 米)	18.5 英尺 - 28.7 英尺 (5.6 米 - 8.7 米)	1,343 磅 (609 千克)

模块化可调悬臂组件

技术数据表：8530895-8530898



Fall Protection



组件列表				
	部件编号	产品描述	材质	数量
①	8550046	宽滚轮	尼龙	4
②	8550047	宽滚轮垫片	304 不锈钢	4
③	8550327	窄滚轮	尼龙	4
④	9514703	侧滚轮	尼龙	12
⑤	8550213	窄滚轮垫片	304 不锈钢	4
⑥	8549930	绞盘	钢	1
⑦	8521711	滑梭	钢和尼龙	1

组件列表				
	部件编号	产品描述	材质	数量
⑧	8550223	锁定机构 (仅限授权维修)	钢和尼龙	1
⑨	9515138	轴承	钢	2
⑩	8550125	旋转挡块	钢	2
⑪	9515111	3M 标签	聚酯	2
⑫	9515101	旋转标签	聚酯	1
⑬	9514429	ID 标签	聚酯	1
⑭	9515112	用户标签	聚酯	1

模块化半固定悬臂

技术数据表: 8530902-8530904




Fall Protection

应用:


M200 模块化悬臂可为坠落保护系统提供挂点连接点。

有关产品安装的详细信息, 请参阅 3M M200 悬臂说明手册 (5908372)。

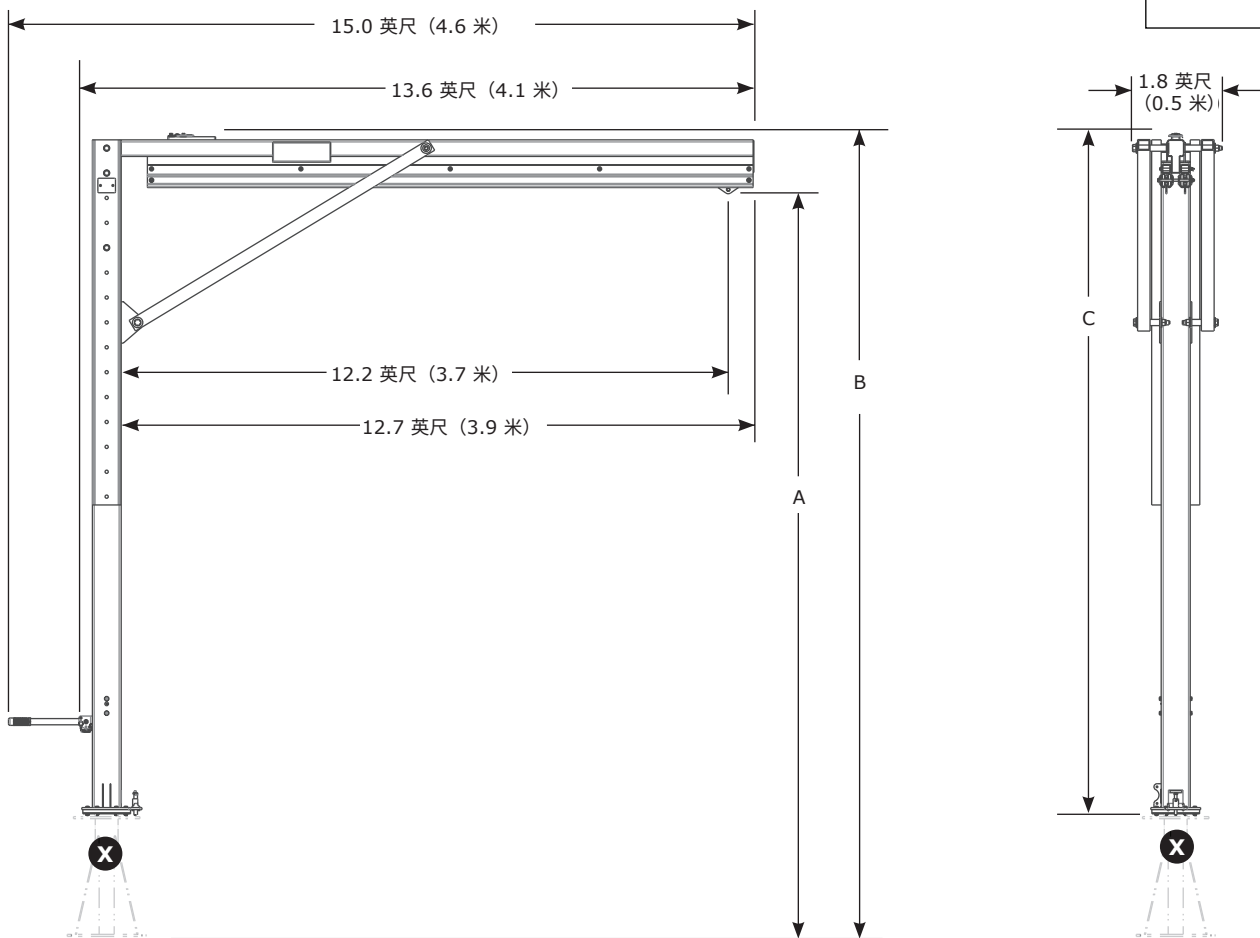
标准: CEN/TS 16415:2013 Type E、EN795:2012 Type E、OSHA 1910.140 和 OSHA 1926.502。



≤ 1350 磅
(6 千牛)



2x ≤ 310 磅
(140 千克)



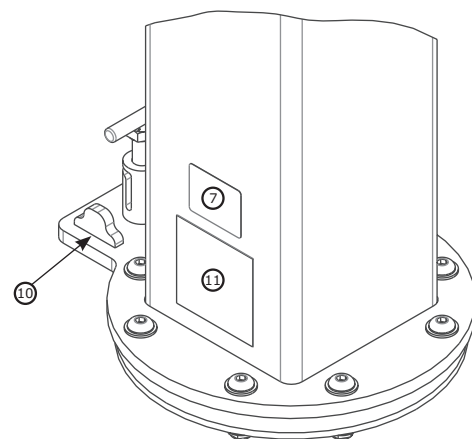
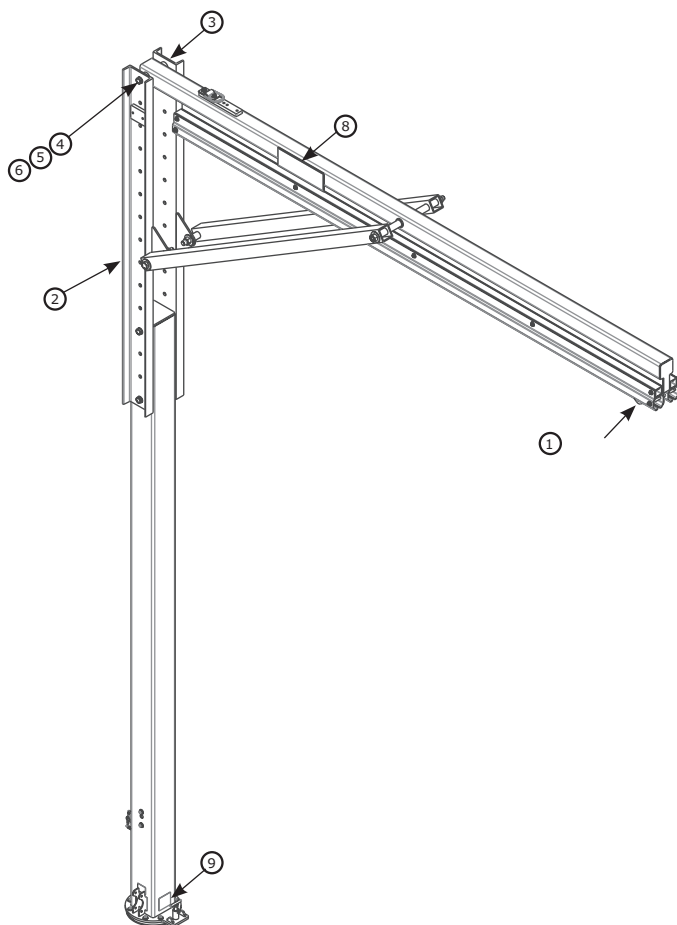
	A	B	C	磅 (千克)
8530902	15.0 英尺 - 20.0 英尺 (4.6 米 - 6.1 米)	16.1 英尺 - 21.1 英尺 (4.9 米 - 6.4 米)	13.7 英尺 - 18.7 英尺 (4.2 米 - 5.7 米)	850 磅 (386 千克)
8530903	20.0 英尺 - 25.0 英尺 (6.1 米 - 7.6 米)	21.1 英尺 - 26.1 英尺 (6.4 米 - 7.9 米)	18.7 英尺 - 23.7 英尺 (5.7 米 - 7.2 米)	961 磅 (436 千克)
8530904	25.0 英尺 - 30.0 英尺 (7.6 米 - 9.1 米)	26.1 英尺 - 31.1 英尺 (7.9 米 - 9.6 米)	23.7 英尺 - 28.7 英尺 (7.2 米 - 8.7 米)	1,073 磅 (487 千克)

模块化半固定悬臂组件

技术数据表：8530902-8530904



Fall Protection



部件编号	产品描述	材质	数量
①	8521711 滑梭	不锈钢、钢和尼龙	1
②	8549933 救援固定板	钢	1
③	8550248 固定板	钢	1
④	8526654 3/4" x 9" 螺栓	钢	2
⑤	8522275 3/4" 垫圈	钢	4
⑥	8518276 3/4" 螺母	钢	2
⑦	9514429 ID 标签	聚酯	1

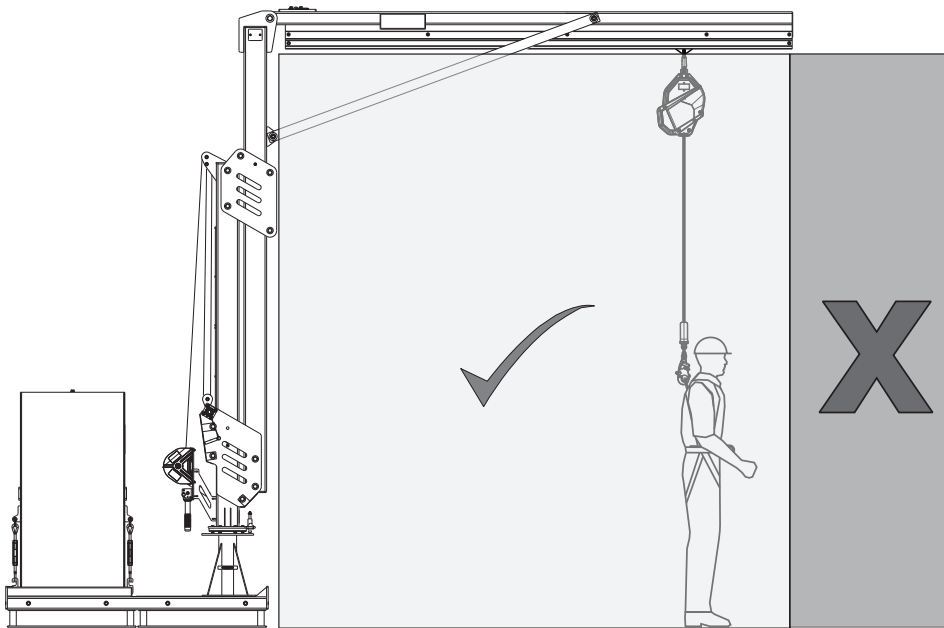
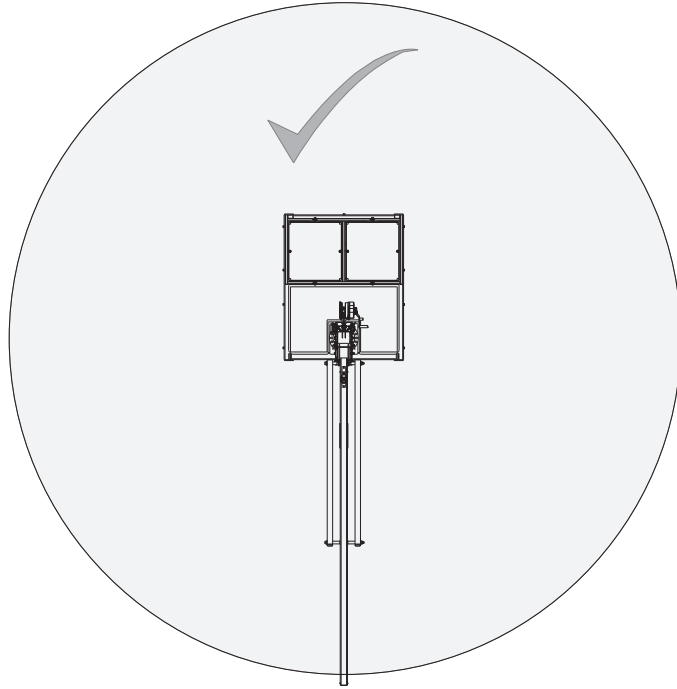
部件编号	产品描述	材质	数量
⑧	9515111 3M 标签	聚酯	2
⑨	9515101 旋转标签	聚酯	1
⑩	8550125 旋转挡块	钢	2
⑪	9515112 用户标签	聚酯	1

M200 配重基座工作区域
技术数据表：8530886、8530887



应用：

有关 M200 混凝土基座的工作区域，请参阅下图。



M200 配重基座配件

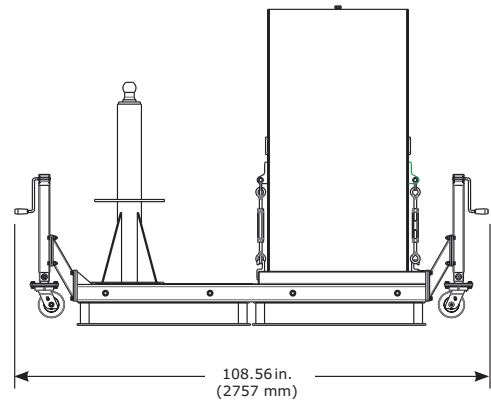
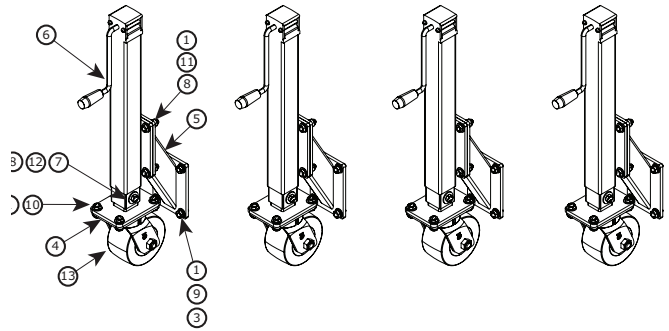
技术数据表: 8530908、8530907、8530777



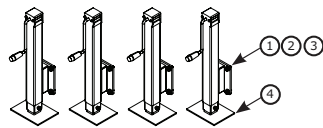
Fall Protection

	重量
8530908	152 磅 (69 千克)

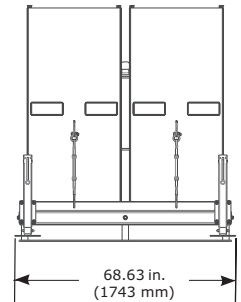
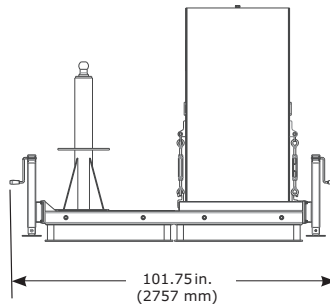
组件列表				
	部件编号	产品描述	材质	数量
①	8510037	1/2" 垫圈	钢	80
②	8512460	1/2" X 1 1/4" 螺栓	钢	16
③	8518432	1/2" x 1" 螺栓	钢	16
④	8550153	轮子焊接件	钢	4
⑤	8550155	斜撑焊接件	钢	4
⑥	8550156	固定焊接件	钢	4
⑦	9501243	1/2" 垫圈	钢	8
⑧	9501831	1/2" 六角螺母	钢	20
⑨	9504221	1/2" 垫圈	钢	16
⑩	9504813	1/2" 六角螺母	钢	16
⑪	9509276	1/2" x 1 3/4" 螺栓	钢	16
⑫	9510153	1/2" x 3 1/4" 螺栓	钢	4
⑬	9515081	脚轮	钢和聚 氨酯	4



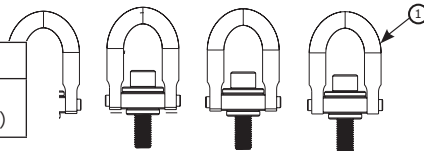
	重量
8530907	108 磅 (49 千克)



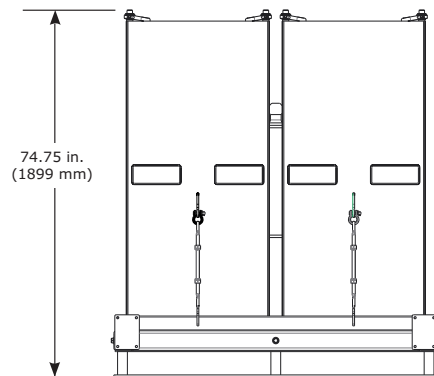
	部件编号	产品描述	材质	数量
①	9504221	1/2" 锁紧垫圈	钢	16
②	8510037	1/2" 垫圈	钢	16
③	8518432	1/2" x 1" 螺栓	钢	16
④	8550177	轮子焊接件	钢	4



	重量
8530777	12 磅 (5.4 千克)



组件列表				
	部件编号	产品描述	材质	数量
①	9512574	吊环	钢	4




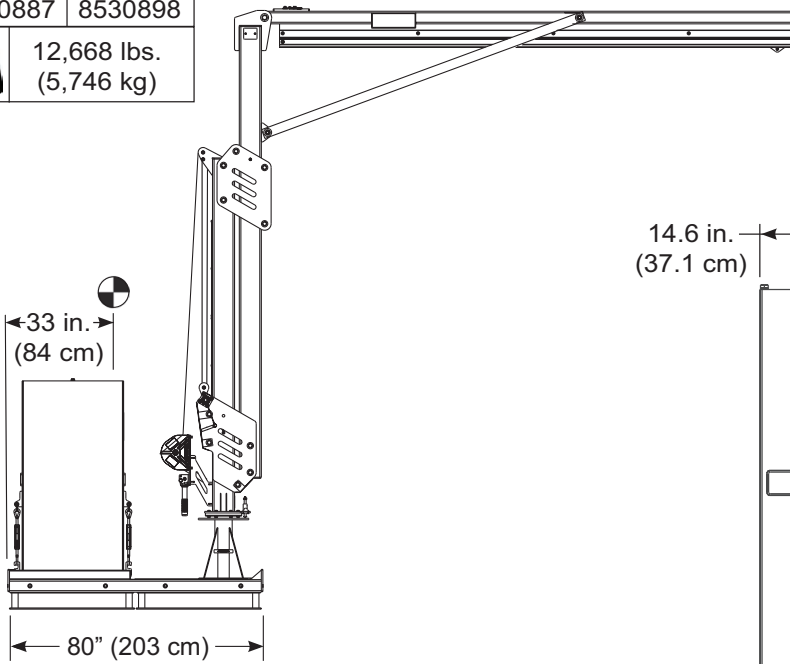
M200 配重基座重心

技术数据表: 8530886、8530887

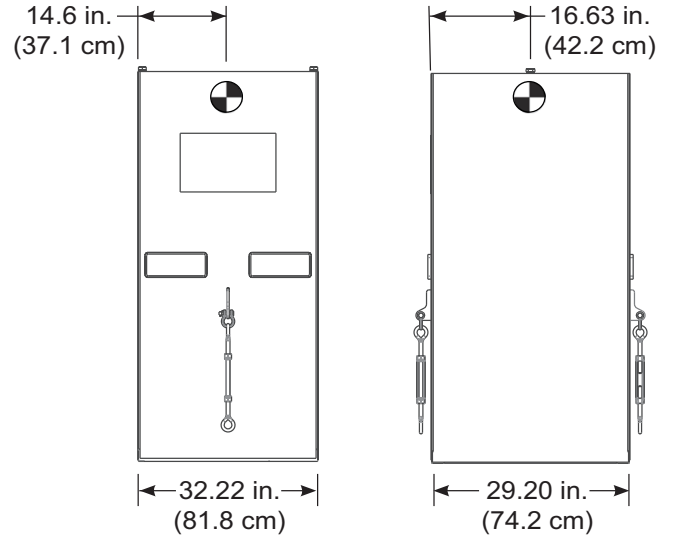



Fall Protection

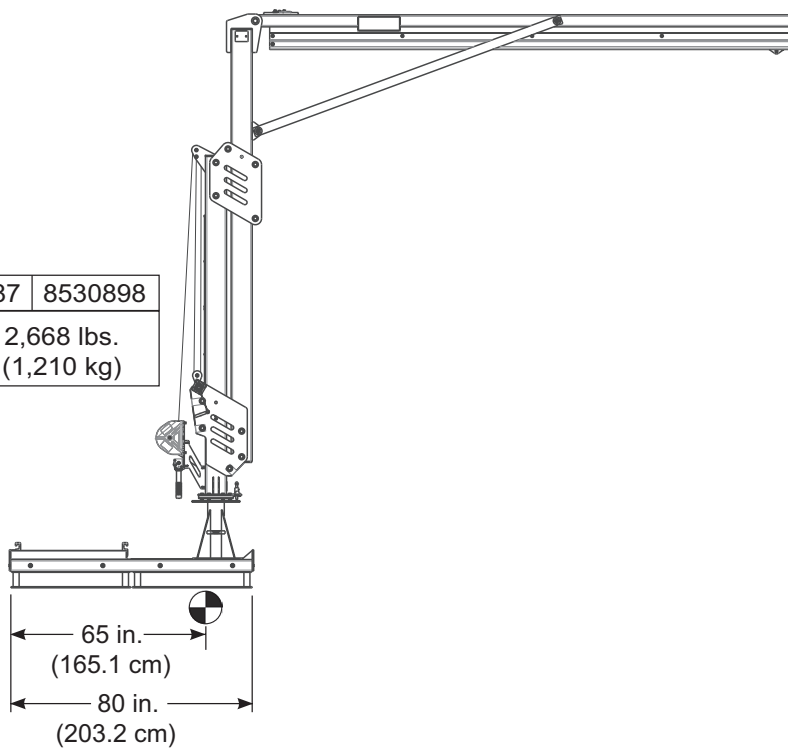
8530887	8530898
 12,668 lbs. (5,746 kg)	




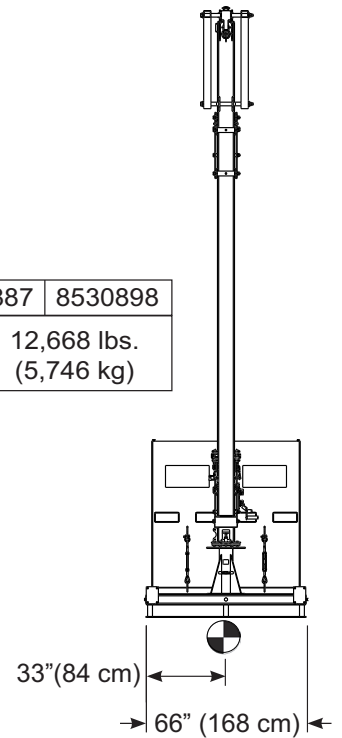
 5,000 lbs. (2,268 kg)
--



8530887	8530898
 2,668 lbs. (1,210 kg)	



8530887	8530898
 12,668 lbs. (5,746 kg)	



M200 配重基座

技术数据表: 8530886、8530887



Fall Protection

应用:

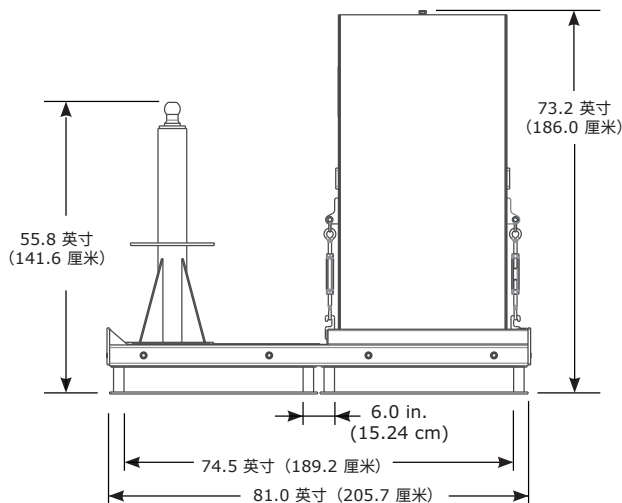
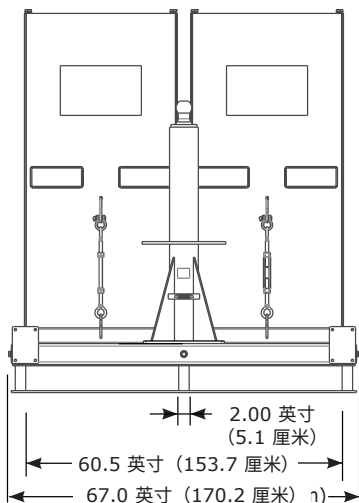
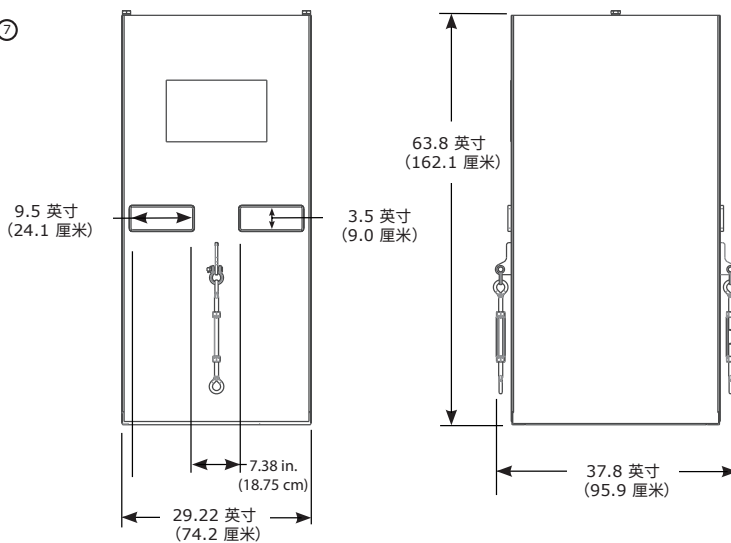
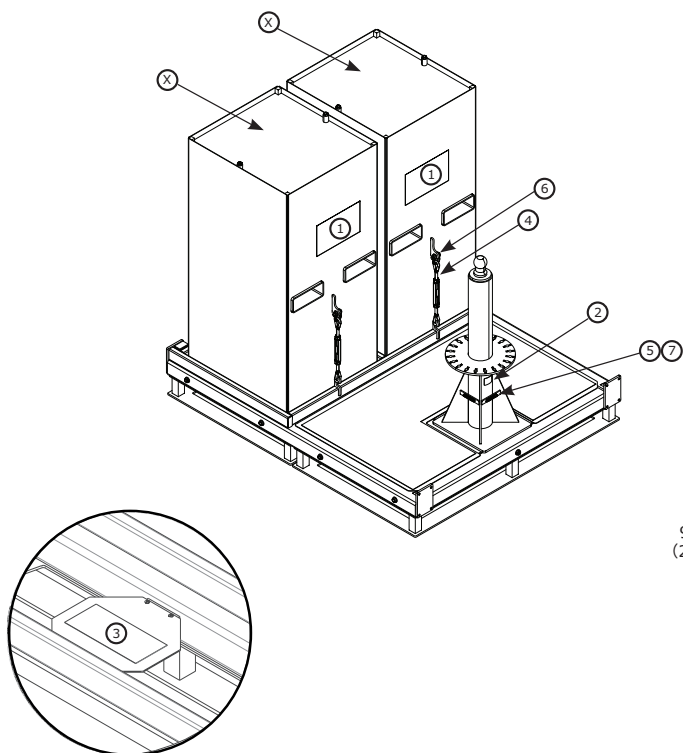
配重基座可装填混凝土, 用作 3M™ DBI-SALA® Flexiguard™ 模块化悬臂系统 M200的固定点。

有关产品安装的详细信息, 请参阅 3M M200 混凝土基座说明手册 (5908374)。

标准: CEN/TS 16415:2013 Type E、EN795:2012 Type E、OSHA 1910.140 和 OSHA 1926.502

	X 4,000 psi (30 MPa)	支撑结构要求	净重
8530886		14,645 磅 (6,643 千克) + M200 悬臂 重量	2,407 磅 (1,092 千克)
8530887	√		11,325 磅 (5,137 千克)

组件列表				
	部件编号	产品描述	材质	数量
①	9515107	用户标签	聚酯	1
②	9514429	ID 标签	聚酯	1
③	9515106	警告标签	聚酯	1
④	8520575	螺旋扣	钢	2
⑤	9513627	#4 螺丝	钢	4
⑥	9501794	钩环	钢	2
⑦	9515058	气泡水平仪	塑料	2



M200地面安装基座

技术数据表：8530888



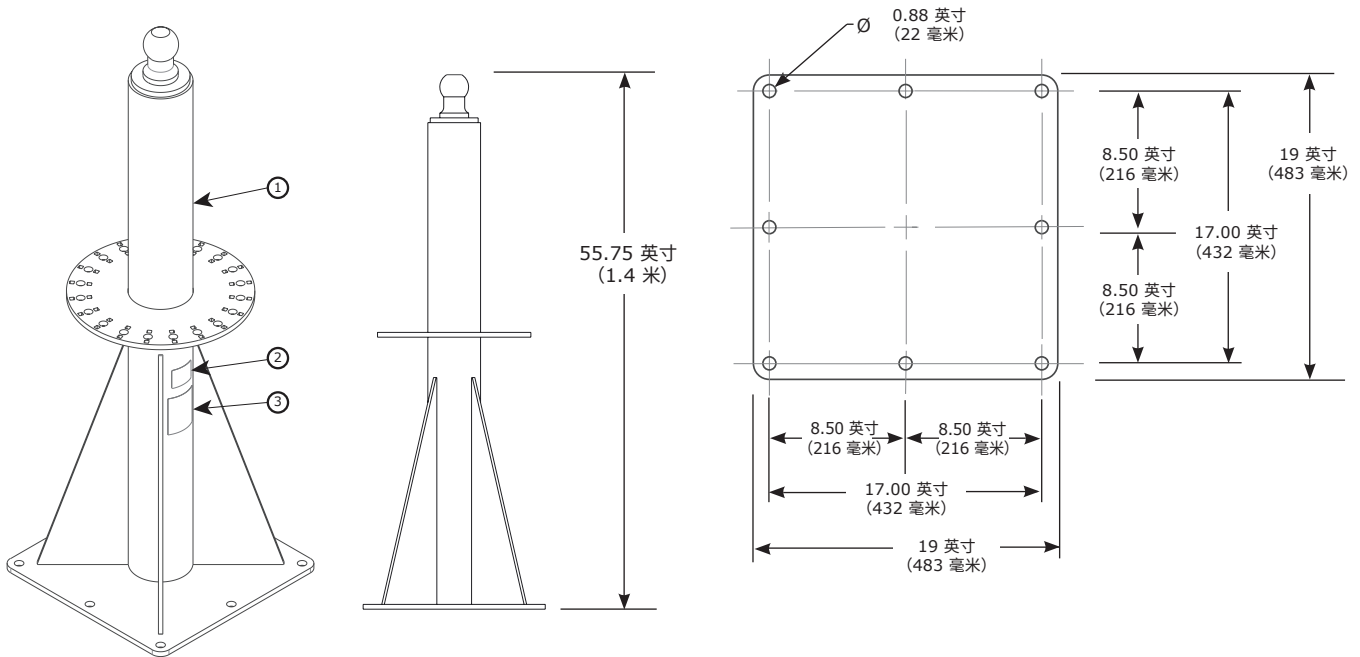
应用：

地面安装基座可锚固在适用的安装结构上，用作 3M 批准的模块化悬臂系统 M200 的固定点。

有关产品安装的详细信息，请参阅 3M M200 地面安装基座说明手册 (5908375)。

标准：CEN/TS 16415:2013 Type A、EN795:2012 Type A、OSHA 1910.140 和 OSHA 1926.502

	净重
8530888	265 磅 (120 千克)



组件列表				
	部件编号	产品描述	材质	数量
①	8549921	底座焊接件	钢	1
②	9514429	ID 标签	聚酯	1
③	9515114	用户标签	聚酯	1

安装要求		
紧固件最小抗拔力	安装结构最小扭矩载荷	安装结构最小垂直载荷
9,386 磅 (4,257 千克)	501,633 英寸-磅 (56,677 牛-米)	3,320 磅 (1,506 千克) + 基座重量 + M200 悬臂重量

M200嵌入式基座

技术数据表：8530889、8530920、8530921



Fall Protection

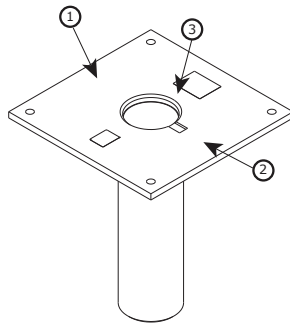
应用：

嵌入式基座可锚固在适用的安装结构上，用作 3M 批准的模块化悬臂系统 M200 的固定点。

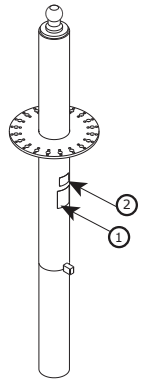
有关产品安装的详细信息，请参阅 3M M200嵌入式基座的说明手册 (5908375)。

标准：CEN/TS 16415:2013、EN795:2012 Type A、OSHA 1910.140 和 OSHA 1926.502

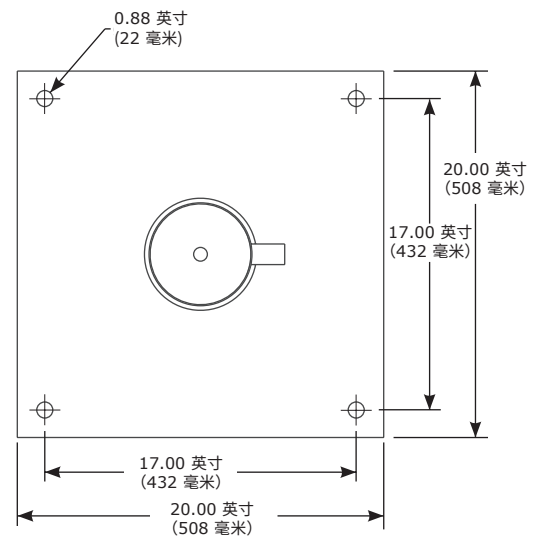
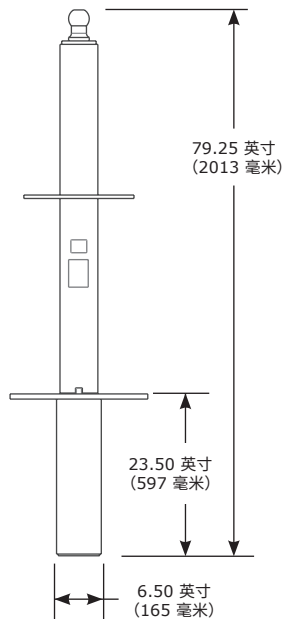
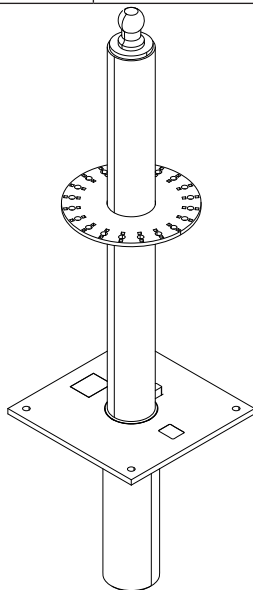
	净重
8530920	140 磅 (64 千克)



	净重
8530921	237 磅 (107 千克)



	净重
8530889	377 磅 (171 千克)



组件列表				
	部件编号	产品描述	材质	数量
①	9515114	用户标签	聚酯	1
②	9514429	ID 标签	聚酯	1
③	8550165	基座盖	铝和橡胶	1

安装要求	
安装结构最小扭矩载荷	安装结构最小垂直载荷
501,633 英寸-磅 (56,677 牛-米)	3,320 磅 (1,506 千克) + 基座重量 + M200 悬臂重量

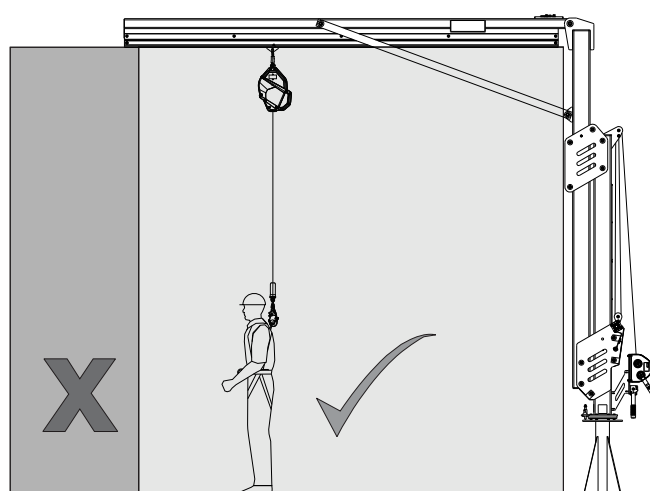
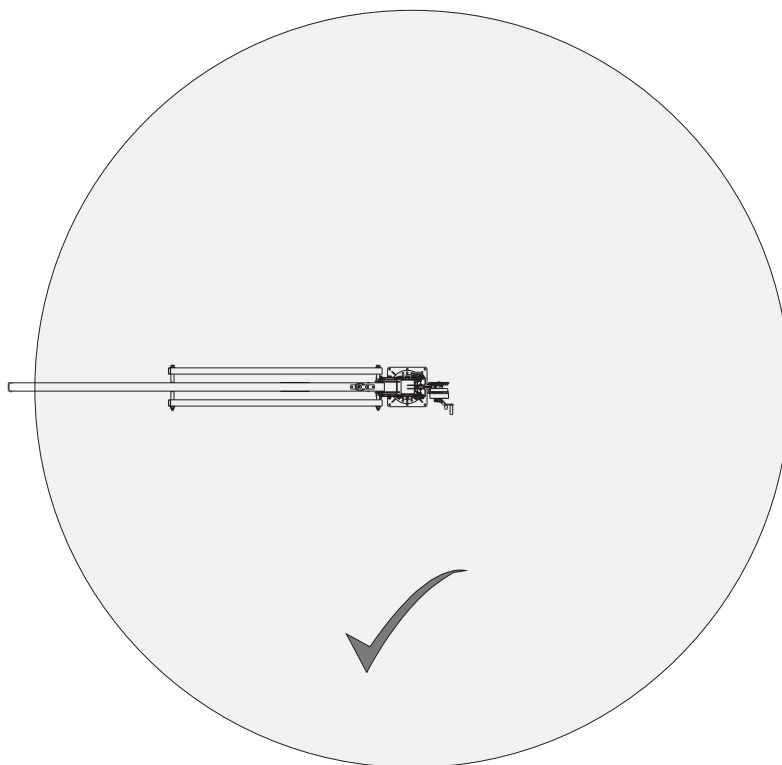
M200 地面安装基座工作区
技术数据表：8530888、8530889



Fall Protection

应用：

有关地面安装基座的工作区域，请参阅下图。



M200 叉车槽套件

技术数据表：8530912

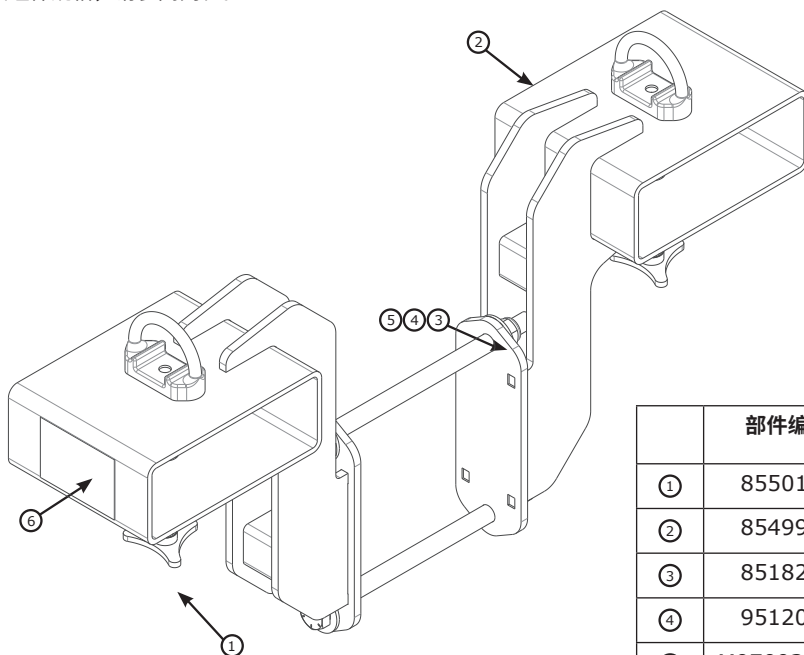


Fall Protection

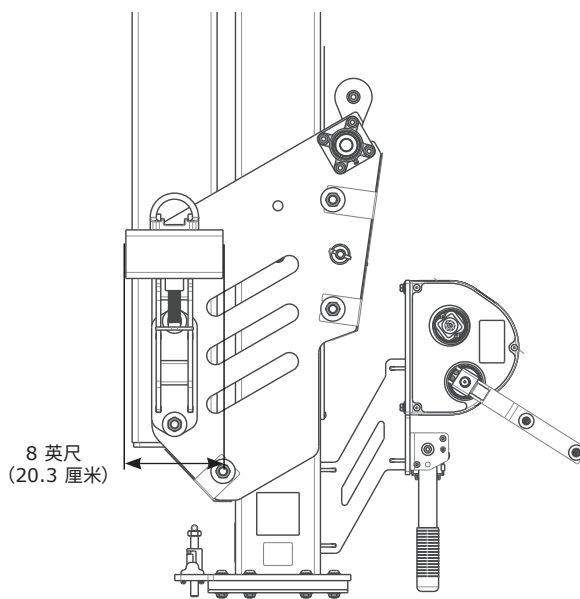
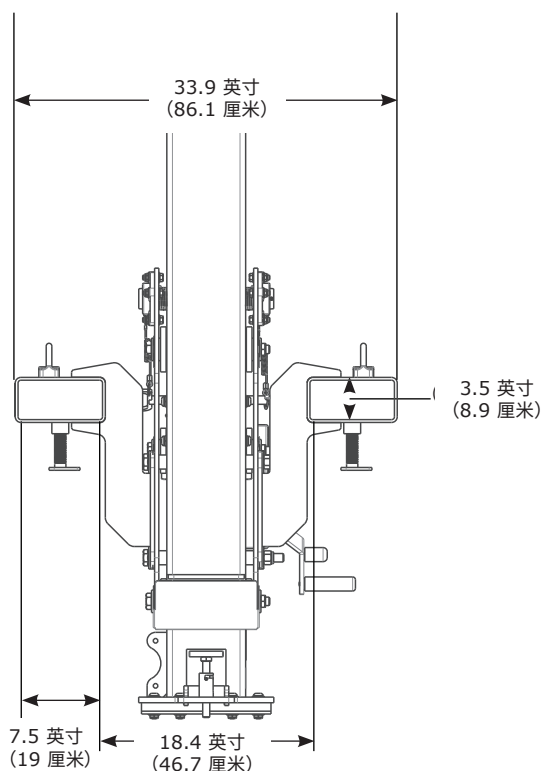
应用：

M200 叉车槽套件是为运输可调悬臂而设计。

有关组件规格，请参阅列表。



	部件编号	产品描述	数量
①	8550127	三角头螺钉	2
②	8549905	叉车槽焊接件	2
③	8518276	3/4" 六角螺母	2
④	9512004	3/4" X 12" 螺栓	2
⑤	M970033018	3/4" 垫圈	4
⑥	9515122	用户标签	1
	9500146	链条连接器	2
	8517096	链条	10 英尺





Fall Protection

USA

3833 SALA Way
Red Wing, MN 55066-5005
Toll Free: 800.328.6146
Phone: 651.388.8282
Fax: 651.388.5065
3Mfallprotection@mmm.com

Brazil

Rodovia Anhanguera, km 110
Sumaré - SP
CEP: 13181-900
Brasil
Phone: 0800-013-2333
falecoma3m@mmm.com

Mexico

Av. Santa Fe No. 190
Col. Santa Fe, Ciudad de Mexico
CP 01219, Mexico
Phone: 01 800 120 3636
3msaludocupacional@mmm.com

Canada

260 Export Boulevard
Mississauga, ON L5S 1Y9
Phone: 905.795.9333
Toll-Free: 800.387.7484
Fax: 888.387.7484
3Mfallprotection-ca@mmm.com

EMEA (Europe, Middle East, Africa)

EMEA Headquarters:
Le Broc Center
Z.I. 1re Avenue - BP15
06511 Carros Le Broc Cedex
France
Phone: + 33 04 97 10 00 10
Fax: + 33 04 93 08 79 70
informationfallprotection@mmm.com

Australia & New Zealand

137 McCredie Road
Guildford
Sydney, NSW, 2161
Australia
Toll-Free : 1800 245 002 (AUS)
Toll-Free : 0800 212 505 (NZ)
3msafetyaucs@mmm.com

Asia

Singapore:
1 Yishun Avenue 7
Singapore 768923
Phone: +65-6450 8888
Fax: +65-6552 2113
TotalFallProtection@mmm.com

China:

38/F, Maxdo Center, 8 Xing Yi Rd
Shanghai 200336, P R China
Phone: +86 21 62753535
Fax: +86 21 52906521
3MFallProtection-CN@mmm.com

Korea:

3M Korea Ltd
20F, 82, Uisadang-daero,
Yeongdeungpo-gu, Seoul
Phone: +82-80-033-4114
Fax: +82-2-3771-4271
TotalFallProtection@mmm.com

Japan:

3M Japan Ltd
6-7-29, Kitashinagawa, Shinagawa-ku, Tokyo
Phone: +81-570-011-321
Fax: +81-3-6409-5818
psd.jp@mmm.com

WEBSITE:
3M.com/FallProtection



EU DECLARATION OF CONFORMITY:
3M.com/FallProtection/DOC