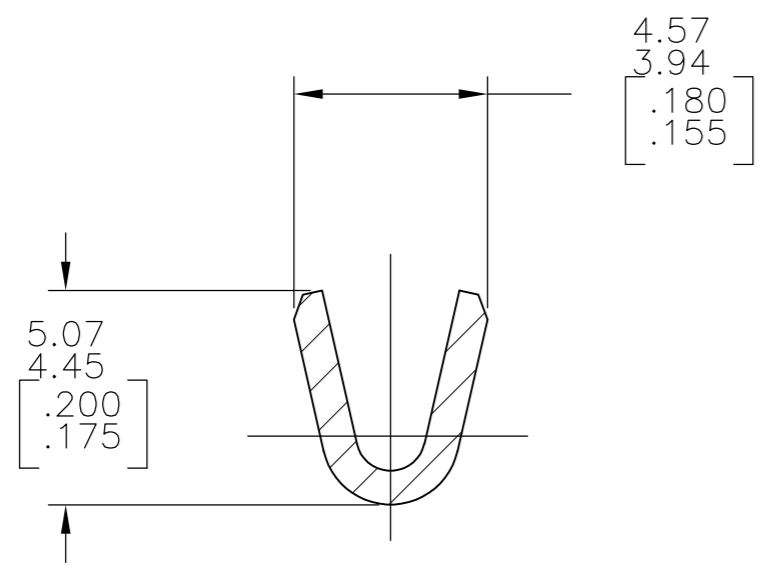
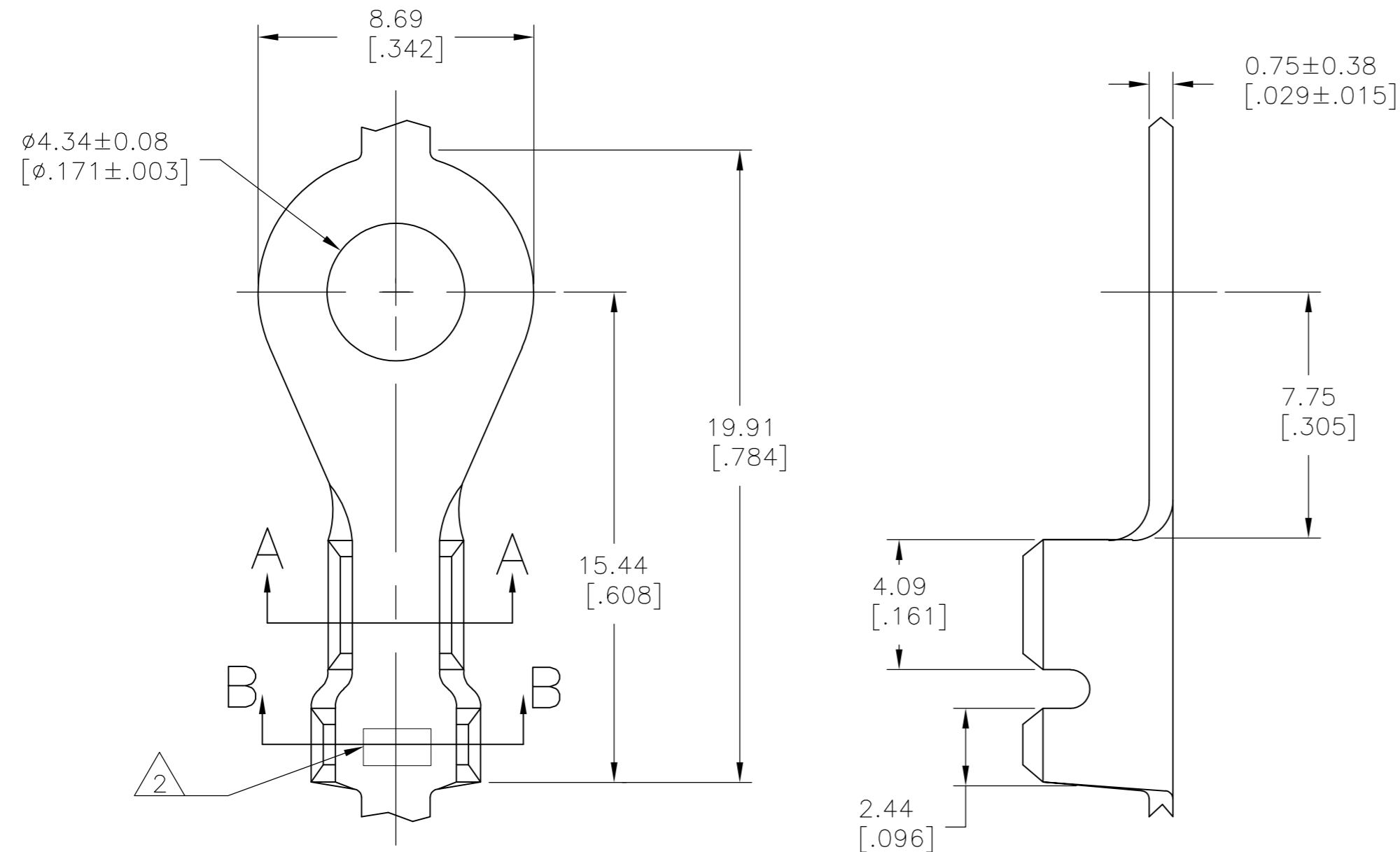
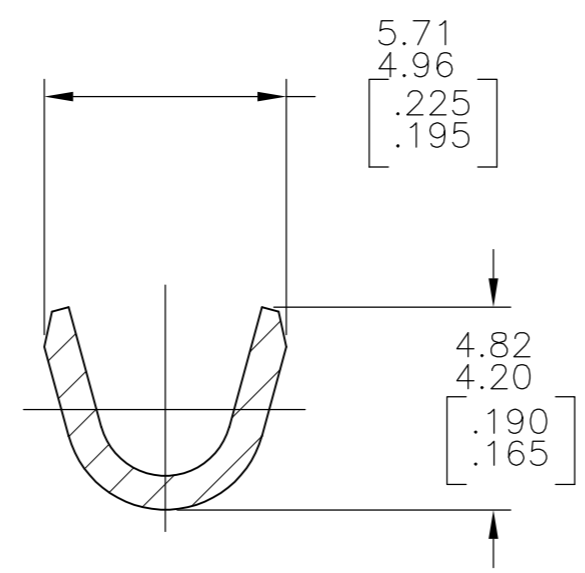


THIS DRAWING IS UNPUBLISHED. RELEASED FOR PUBLICATION
 © COPYRIGHT BY TYCO ELECTRONICS CORPORATION. ALL INTERNATIONAL RIGHTS RESERVED.

LOC	DIST	REVISIONS			
P	LTR	DESCRIPTION	DATE	DWN	APVD
AF	50	AC	REVISED PER ECR-08-008189	24NOV08	HMR DD



SECTION A-A



SECTION B-B

- 1 CONTINUOUS STRIP ON REELS.
- △ 2 AMP STAMP.
- △ 3 TIN PLATING
- △ 4 TIN PLATING OVER COPPER UNDERPLATE.
- △ 5 REDUCED PACKAGE QUANTITY.
- △ 6 PRELIMINARY – NOT FOR PRODUCTION.

△ 5	△ 3	0.8–2.0mm ² [18–14] AWG	2.54–3.56 [.100–.140] DIA	△ 6 40724–2
	△ 4			△ 6 40724–1
	△ 3			40724
FINISH		WIRE RANGE	INSULATION RANGE	PART NUMBER

THIS DRAWING IS A CONTROLLED DOCUMENT.		DWN 12FEB2001 MICHAEL S. FEHER	Tyco Electronics Corporation Harrisburg, PA 17105-3608	
DIMENSIONS: mm [INCHES]		CHK 04APR2001 DONALD DECKER	NAME M4 – #8 STUD, TERMINAL, TONGUE, RING	
TOLERANCES UNLESS OTHERWISE SPECIFIED:		APVD 04APR2001 DONALD DECKER	SIZE A2	CAGE CODE 00779
0 PLC ± - 1 PLC ± - 2 PLC ± 0.25[.010] 3 PLC ± - 4 PLC ± - ANGLES ± 1°		PRODUCT SPEC -	DRAWING NO C=40724	RESTRICTED TO -
MATERIAL 082 BRASS	FINISH SEE TABLE	WEIGHT -	SCALE 1:1	SHEET 1 of 1
CUSTOMER DRAWING			REV AC	