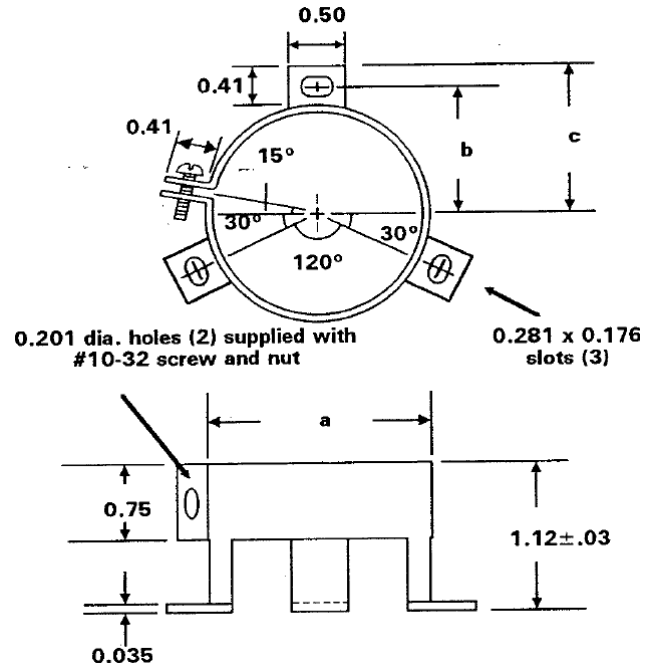


UNIVERSAL WRAP AROUND BRACKETS

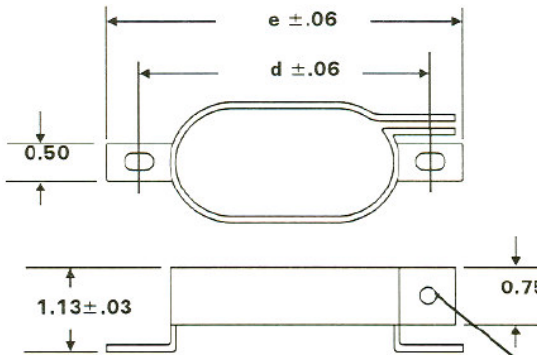
ROUND CASE STYLES

| Case Style | Bracket Part Number | a | b | c |
|------------|---------------------|------|------|------|
| P | 295A6016P31 | 1.75 | 1.12 | 1.31 |
| S | 295A6016P32 | 2.00 | 1.25 | 1.44 |
| T | 295A6016P33 | 2.50 | 1.50 | 1.69 |



UNIVERSAL WRAP AROUND BRACKETS

OVAL CASE STYLES



| Case Style | Bracket Part Number | d | e |
|------------|---------------------|------|------|
| A | 128A2244ACP21 | 2.69 | 3.13 |
| B | 128A2244ABP25 | 3.27 | 3.70 |
| C | 128A2244ABP22 | 3.44 | 3.88 |
| D | 128A2244ABP23 | 4.19 | 4.63 |

(2) .156 dia holes supplied with # 6-32 screw and nut

WRAP AROUND BRACKETS

ROUND AND OVAL CASE STYLES

| Case Style | Bracket Part Number | d | e | w | t |
|------------|---------------------|------|------|------|------|
| A | K9827065P21 | 2.56 | 2.94 | 0.50 | 0.02 |
| B | K9827065P31 | 3.06 | 3.50 | 0.63 | 0.02 |
| C | 614A301P61 | 3.31 | 3.81 | 0.75 | 0.03 |
| D | 614A301P51 | 4.06 | 4.56 | 0.75 | 0.03 |
| P | 279A7235P24 | 2.50 | 2.88 | 0.75 | 0.04 |
| S | 279A7235P22 | 2.75 | 3.12 | 0.75 | 0.04 |
| T | 279A7235P23 | 3.25 | 3.62 | 0.75 | 0.04 |

