

CONNECTsystem FLEX IP67 LP

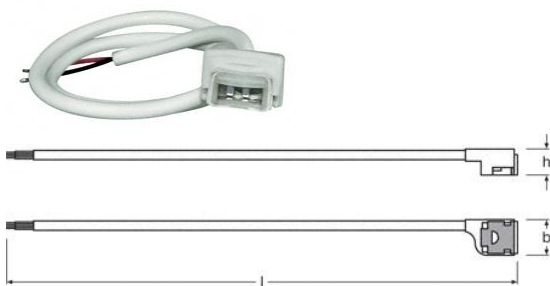
PRELIMINARY TECHNICAL DATASHEET



BENEFITS

- Easy & toolfree installation with IP67 protection
- Robust connection

Connectors & Fixtures



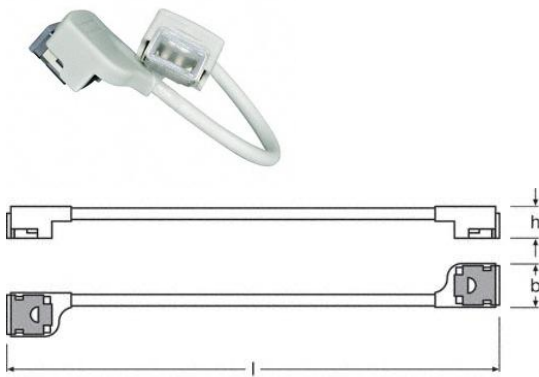
Connector for connection to the power supply

Product	LF-2PIN IP67 LP
NEW Order Code	4052899125711
(Prior Order Code – will not work with new LINEARlight Flex Protect ShortPitch)	4052899902480
Rated voltage	24 V
Connector closing force	135 N
LED PCB retention force	20 N
Conductor cross section AWG	22
Temperature Range	-40 – 85 °C
Protection	IP67

Dimensions

l [mm]	500
b [mm]	19,8
h [mm]	13

Due to the special conditions of manufacturing processes of LED, the typical data of technical parameters can only reflect statistical figures and do not necessarily correspond to the actual parameters of each single product which could differ from the typical data. Subject to change without notice. Errors and omissions excepted. **Version: 2013-10-16**

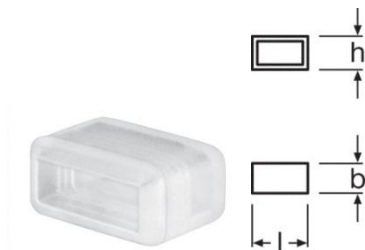


Connector for board-to-board connection

Product	LF-2CONN IP67 LP
Order Code	4052899125735
(Prior Order Code – will not work with new LINEARlight Flex Protect ShortPitch)	4052899902527
Rated voltage	24 V
Connector closing force	135 N
LED PCB retention force	20 N
Conductor cross section AWG	22
Temperature Range	-40 – 85 °C
Protection	IP67

Dimensions

l [mm]	180
b [mm]	19,8
h [mm]	13

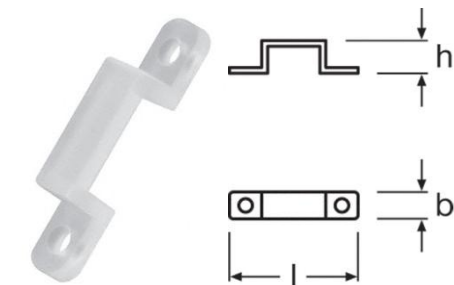


Endcap for cut LED modules

Product	LF-ENDCAP IP67 LP
Order Code	4052899902565
Protection	IP67

Dimensions

l [mm]	13.7
b [mm]	10



Fixture to hold LED module / support adhesive tape

Product	LF-CLIP FIXTURE PROTECT
Order Code	4008321644749

Dimensions

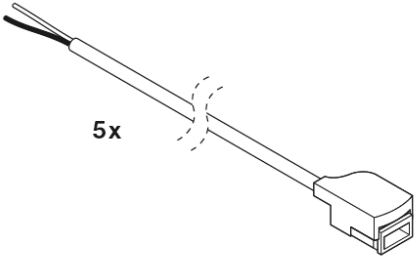
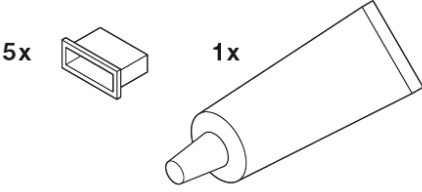
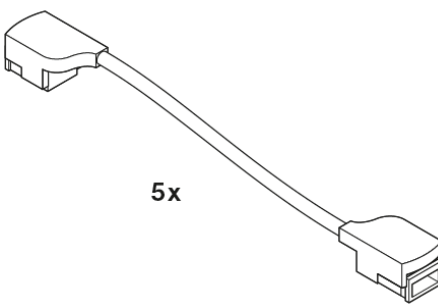
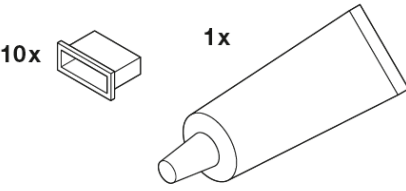

l [mm]	27
b [mm]	6
h [mm]	5.7

Safety information

- All components of the CONNECTsystem FLEX IP67 LP must be assembled to avoid any stress on the wires and/or board connectors. The installer must ensure that there is adequate strain relief between the board connection and the wiring.
- Installation of LED modules (with power supplies) needs to be made with regard to all applicable electrical and safety standards. Only qualified personnel should be allowed to perform installations.
- The connector has no inverse polarity protection. There will be no electrical function if connector is not well positioned or if polarity is inverse. Several modules can be damaged (see the respective module data sheet).
- The maximum operation current may not be exceeded.
- Do not use under water or at other applications where IP67 protection does not meet the needs!

Due to the special conditions of manufacturing processes of LED, the typical data of technical parameters can only reflect statistical figures and do not necessarily correspond to the actual parameters of each single product which could differ from the typical data. Subject to change without notice. Errors and omissions excepted. **Version: 2013-10-16**

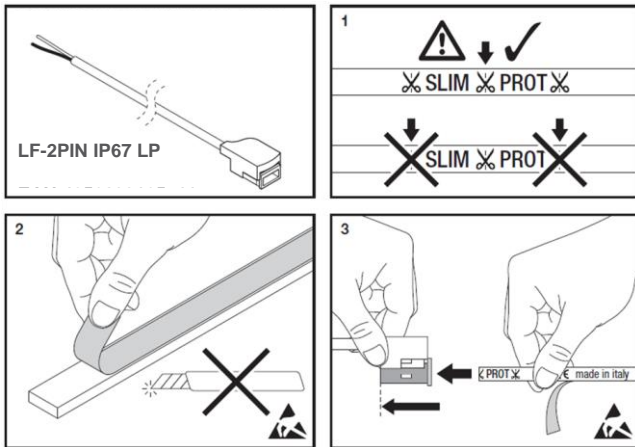
Logistical Information / Order Kits

Product	Order Number	Shipping Units + Included Components
LF-2PIN IP67 LP	4052899125711	 5x
		 5x 1x
LF-2CONN IP67 LP	4052899125735	 5x
LF-ENDCAP IP67 LP	4052899902565	 10x 1x
LF-CLIP FIXTURE PROTECT	4008321644749	 50 x

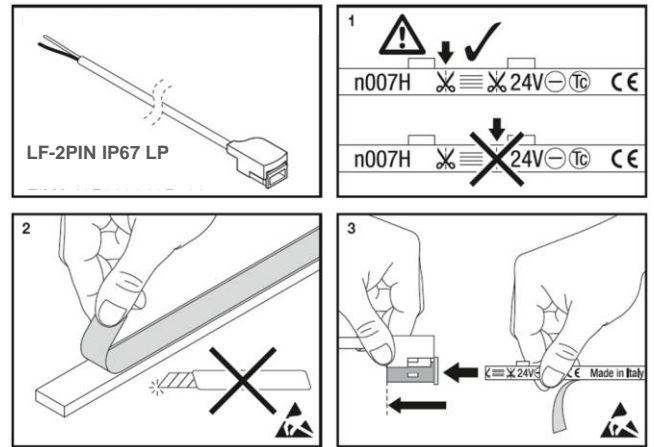
Due to the special conditions of manufacturing processes of LED, the typical data of technical parameters can only reflect statistical figures and do not necessarily correspond to the actual parameters of each single product which could differ from the typical data. *Subject to change without notice. Errors and omissions excepted. Version: 2013-10-16*

Assembly information for LF-2PIN IP67 LP

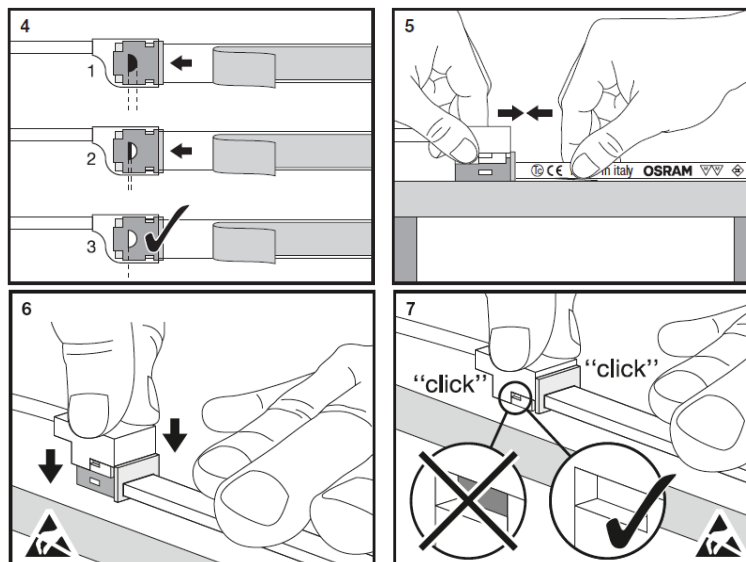
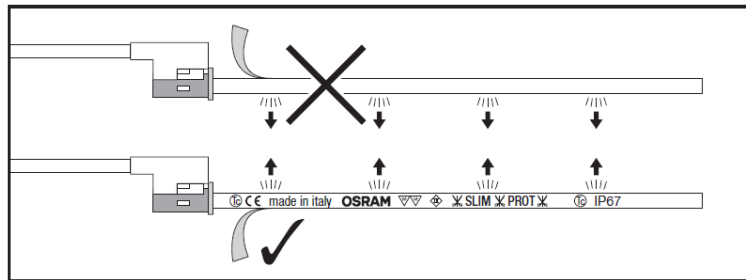
For the modules LF06P2-P and LF06A-P



For the modules LF06S-P

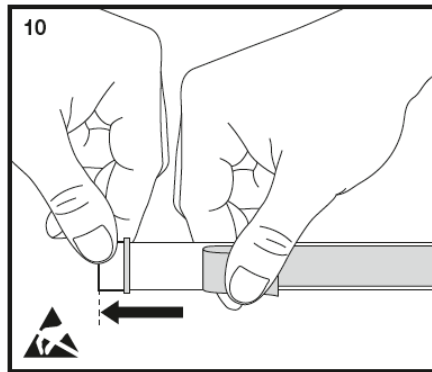
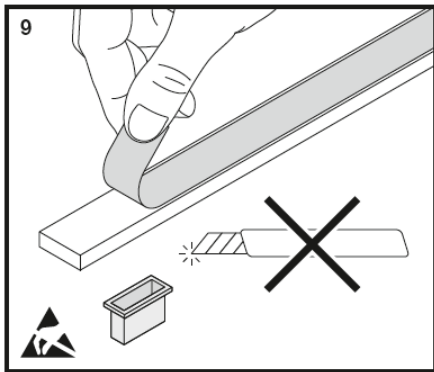
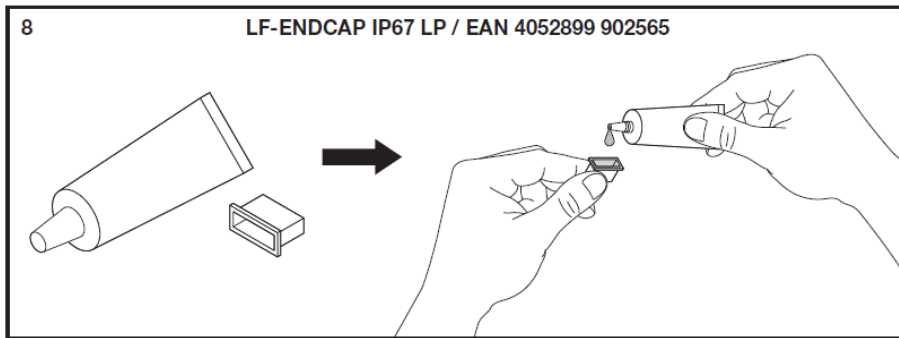


Further steps valid for ALL modules



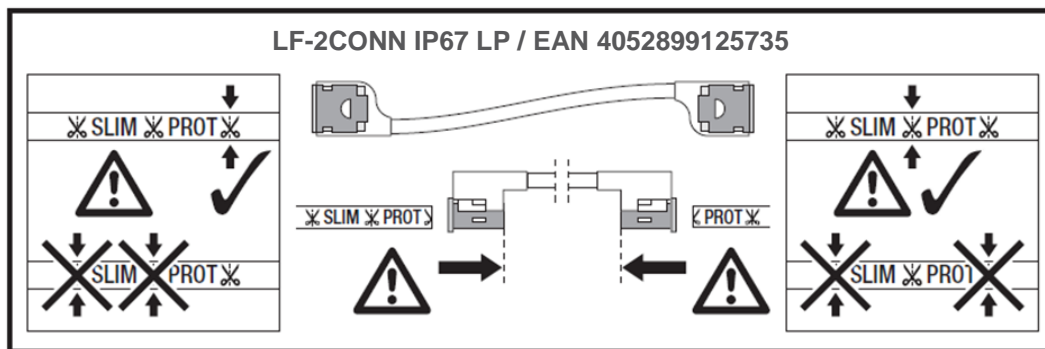
Due to the special conditions of manufacturing processes of LED, the typical data of technical parameters can only reflect statistical figures and do not necessarily correspond to the actual parameters of each single product which could differ from the typical data. Subject to change without notice. Errors and omissions excepted. **Version: 2013-10-16**

Assembly information for LF-ENDCAP IP67 LP

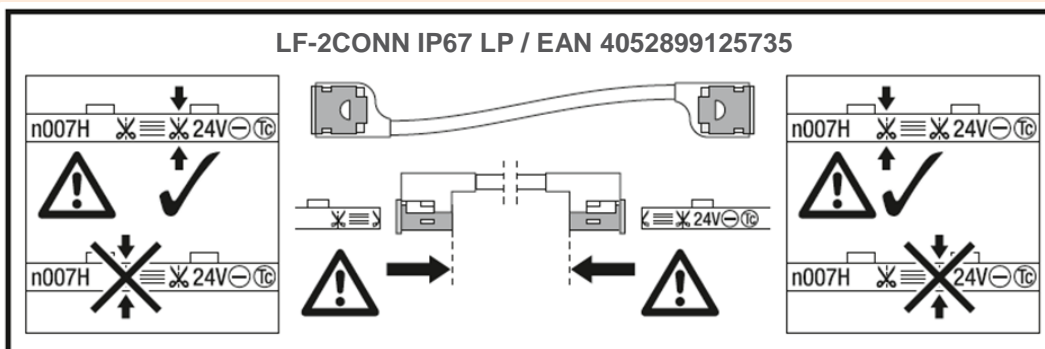


Assembly information for LF-2CONN IP67 LP

For the modules LF06P2-P and LF06A-P



For the modules LF06S-P



Due to the special conditions of manufacturing processes of LED, the typical data of technical parameters can only reflect statistical figures and do not necessarily correspond to the actual parameters of each single product which could differ from the typical data. Subject to change without notice. Errors and omissions excepted. **Version: 2013-10-16**

Matching LINEARLIGHT FLEX modules

Family	Product Name	EAN	Color	K	lm/m	LF-2PIN IP67 LP 4052899125711	LF-2PIN IP67 LP 4052899902480 (PREVIOUS ORDER CODE)	LF-2CONN IP67 LP 4052899125735	LF-2CONN IP67 LP 4052899902527 (PREVIOUS ORDER CODE)	LF-ENDCAP IP67 LP 4052899902565	LF-CLIP FIXTURE PROTECT 4008321644749
LINEARlight POWER Flex Protect G2	LF06P2-W4F-830-P	4008321790668	white	3000	1250	X	X	X	X	X	X
	LF06P2-W4F-840-P	4008321789945	white	4000	1400	X	X	X	X	X	X
	LF06P2-W4F-876-P	4008321789969	white	7600	1400	X	X	X	X	X	X
LINEARlight Flex® Protect ShortPitch	LF06S-830-P	4052899091979	white	3000	700	X		X		X	X
	LF06S-840-P	4052899092150	white	4000	700	X		X		X	X
	LF06S-854-P	4052899092273	white	5400	760	X		X		X	X
	LF06S-876-P	4052899092396	white	7600	760	X		X		X	X
LINEARlight Flex® Protect ADVANCED G2	LF06A-W3F-830-P	4008321789983	white	3000	350	X	X	X	X	X	X
	LF06A-W3F-840-P	4008321790125	white	4000	390	X	X	X	X	X	X
	LF06A-W3F-870-P	4008321790149	white	7000	390	X	X	X	X	X	X

Contacts & Information

OSRAM GmbH

Hellabrunner Str. 1
81536 Munich, Germany
www.osram.com
+49.89.6213-0

Sales and technical support is given by the local OSRAM subsidiaries.

On the OSRAM website all subsidiaries are listed with complete address and phone numbers.

OSRAM LED Systems
OSRAM catalogue
General information

www.osram.com/led-systems
<http://catalog.osram.com>
www.osram.com

Due to the special conditions of manufacturing processes of LED, the typical data of technical parameters can only reflect statistical figures and do not necessarily correspond to the actual parameters of each single product which could differ from the typical data. Subject to change without notice. Errors and omissions excepted. **Version: 2013-10-16**