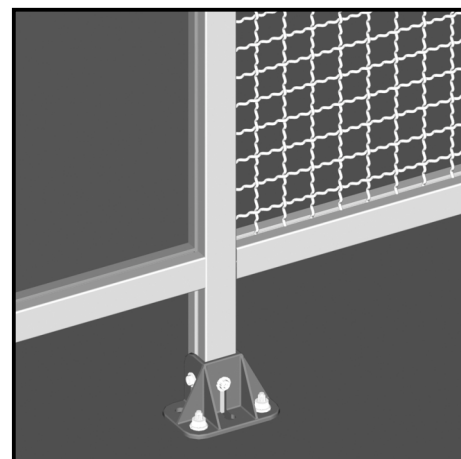
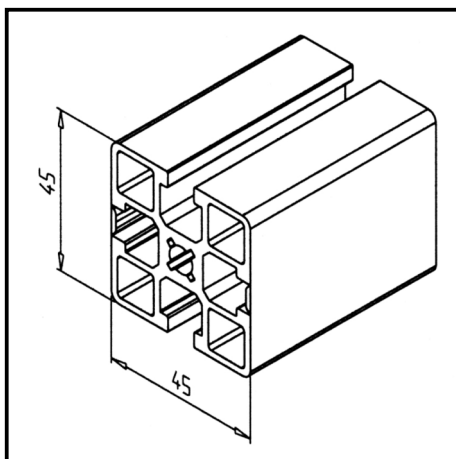
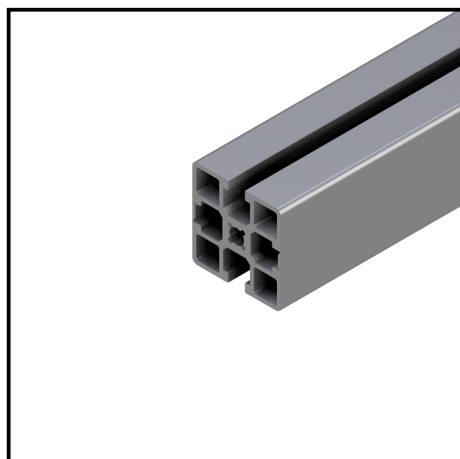


## PROFILE 45 X 45 2GG

Article Nr. 20.1099/0

See the product on the website →

Download CAD Files →



### TECHN. DATA / ITEMS SUPPLIED

- Aluminium, extruded, anodized E6/EV1
- $I_x = 13.069 \text{ cm}^4$
- $I_y = 14.045 \text{ cm}^4$
- $w_x = 5.808 \text{ cm}^3$
- $w_y = 6.242 \text{ cm}^3$
- $IT = 30.130 \text{ cm}^4$
- Weight = 1.925 kg/m
- Packing unit = 36 m

### APPLICATIONS

- All types of constructions, specifically for high hygiene requirements in the food industry, medical technology, bottling of beverages
- To close open grooves with the cover profile L **part no.** [20.1021/0](#)
- Silicon sealings for profile connections on request

### ASSEMBLY

- Power-lock fastener; to use, the groove cover at the end of the profile must be opened using the groove opener. Cover with end cap G **Art. no.** [22.1056/0](#)
- Angle 25 / 45
- Closed grooves can be opened with the groove opener **part no.** [26.0815/0](#) to the desired length