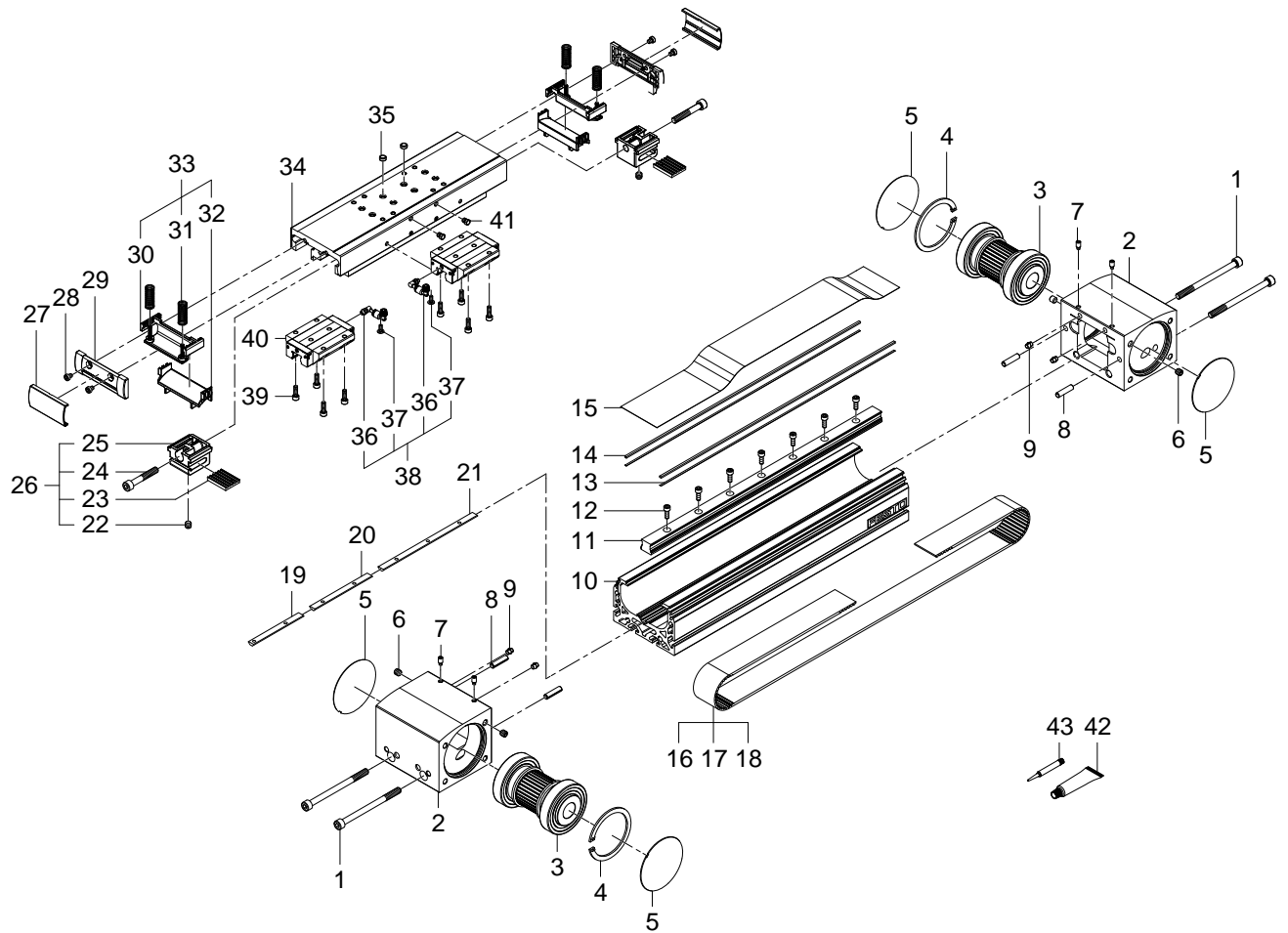


8041870 ELGA-TB-KF-120-1500-0H Toothed belt axis - Series: All



8041870 ELGA-TB-KF-120-1500-0H Toothed belt axis - Series: All

Pos.	Part no.	Type	Note	Qty.	Unit
1		ISO 14579-M8X110-10.9 Socket head screw	Not available Tightening torque 11 Nm / 8.1 lbf ft Use locking compound. See position 43	4	PC
2	3215633	ELGA-TB-120 Drive cover	Attention, please order position 6 as well	1	PC
3	1123591	ELGA-TB-G-120 Toothed belt pulley module		1	PC
4	748158	DIN 472-75X2,5 Retaining ring		1	PC
5	2493425	ELGA-TB-RF-120-F1:D80 Sealing washer		4	PC
6	369654	ISO 4026-M8X8-45H Threaded pin	Use locking compound. See position 43	2	PC
7	200702	ISO 4028-M6X12-45H Threaded pin	Tightening torque 2 Nm / 1.5 lbf ft	4	PC
8	664747	DIN 7346-7X28 Spring pin		2	PC
9	371075	7,5X9,0 Buffer element		2	PC
10		ELGA-TB-KF-120 Cylinder barrel	Not available	1	PC
11		ELGA-TB-KF-120 Roller track	Not available	1	PC
12	8030873	ISO 4762-M5X14-12.9 Socket head screw	Tightening torque 7 Nm / 5.2 lbf ft Use locking compound. See position 43	1	PC
13	4171246	ELGA-TB-KF Adhesive tape		25	M
14	8040752	2X3X10000 Magnetic tape	Attention! Length 10 meter	1	PC
15	8040746	ELGA-YA-TB-KF-120- - Cover strip	When ordering please specify the configuration (see type plate)	1	PC
16	8040750	ELGA-YT-TB-KF-120- - Toothed belt	When ordering please specify the configuration (see type plate) Attention! It is essential that the information in the repair manual be closely observed! ▶ Replacing the toothed belt	1	PC
17	8096941	40,0LL-5MR-5M-610-5555 Toothed belt	Attention! Length 5 meter Attention! The Material is [] ▶ Replacing the toothed belt	1	PC
18	8119357	PGGT-40-LL-5MR-5M-PU2 Toothed belt	Attention! Length 5 meter Attention! The Material is [PU2] ▶ Replacing the toothed belt	1	PC
19	2784357	ELGA-KF-120 Slot nut		2	PC
20	2787437	ELGA-KF-120 Slot nut		1	PC
21	2787442	ELGA-KF-120 Slot nut		1	PC
22	369654	ISO 4026-M8X8-45H Threaded pin	Tightening torque 4 Nm / 3.0 lbf ft Use locking compound. See position 43	1	PC
23		EGC-HD-220-TB Clamping plate	Not available separately, see position 26	1	PC
24		ISO 4762-M8X50-10.9 Socket head screw	Not available separately, see position 26	1	PC
25		EGC-HD-220-TB Clamping part	Not available separately, see position 26	1	PC

Pos.	Part no.	Type	Note	Qty.	Unit
26	1214983	ELGA-TB-G-120 Clamping		2	PC
27	1208190	ELGA-TB-G-120 Clip		2	PC
28		ISO 14580-M5X6-A2-70 Socket head screw	Not available Tightening torque 2 Nm / 1.5 lbf ft Use locking compound. See position 43	4	PC
29	1208189	ELGA-TB-G-120 Cover		2	PC
30		ELGA-TB-G-120 Belt reversal	Not available separately, see position 33	2	PC
31		EFK- 16- 10 P Compression spring	Not available separately, see position 33	4	PC
32		ELGA-TB-G-120 Belt reversal	Not available separately, see position 33	2	PC
33	1202796	ELGA-TB-G-120 Belt reversal		2	PC
34	8123516	ELGA-TB-KF-120 Slide module		1	PC
35	8137184	ZBH-9-B Centring sleeve		2	PC
36		LCN-M5-PK-2 Barbed elbow fitting	Not available separately, see position 38 Tightening torque 0.5 Nm / 0.4 lbf ft	2	PC
37		F-M4X10-A-70 flange screw	Not available separately, see position 38 Tightening torque 0.5 Nm / 0.4 lbf ft	2	PC
38	8049977	ELGA-...-KF-120/150 Fittings kit		1	PC
39	200671	ISO 4762-M5X16-10.9 Socket head screw	Tightening torque 7.5 Nm / 5.5 lbf ft Use locking compound. See position 43	8	PC
40	2382710	F-607533.KWVE20-B Roller carriage	Attention! It is essential that the information in the repair manual be closely observed! Grease using during assembly. See position 42	2	PC
41	223511	AM 6 DIN 3405 Lubrication nipple	Tightening torque 1.2 Nm / 0.9 lbf ft Grease using during assembly. See position 42	2	PC
42	684474	LUB-KC1 SILIKONFREI 20ML Lubricating grease		1	PC
43	8181256	CYBERBOND TM44 TB1ML Adhesive bonding agent		1	PC